

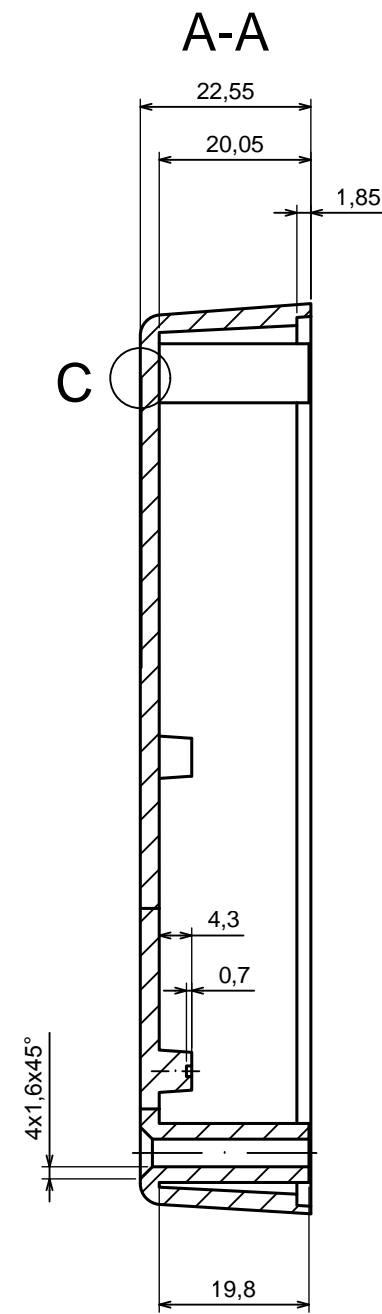
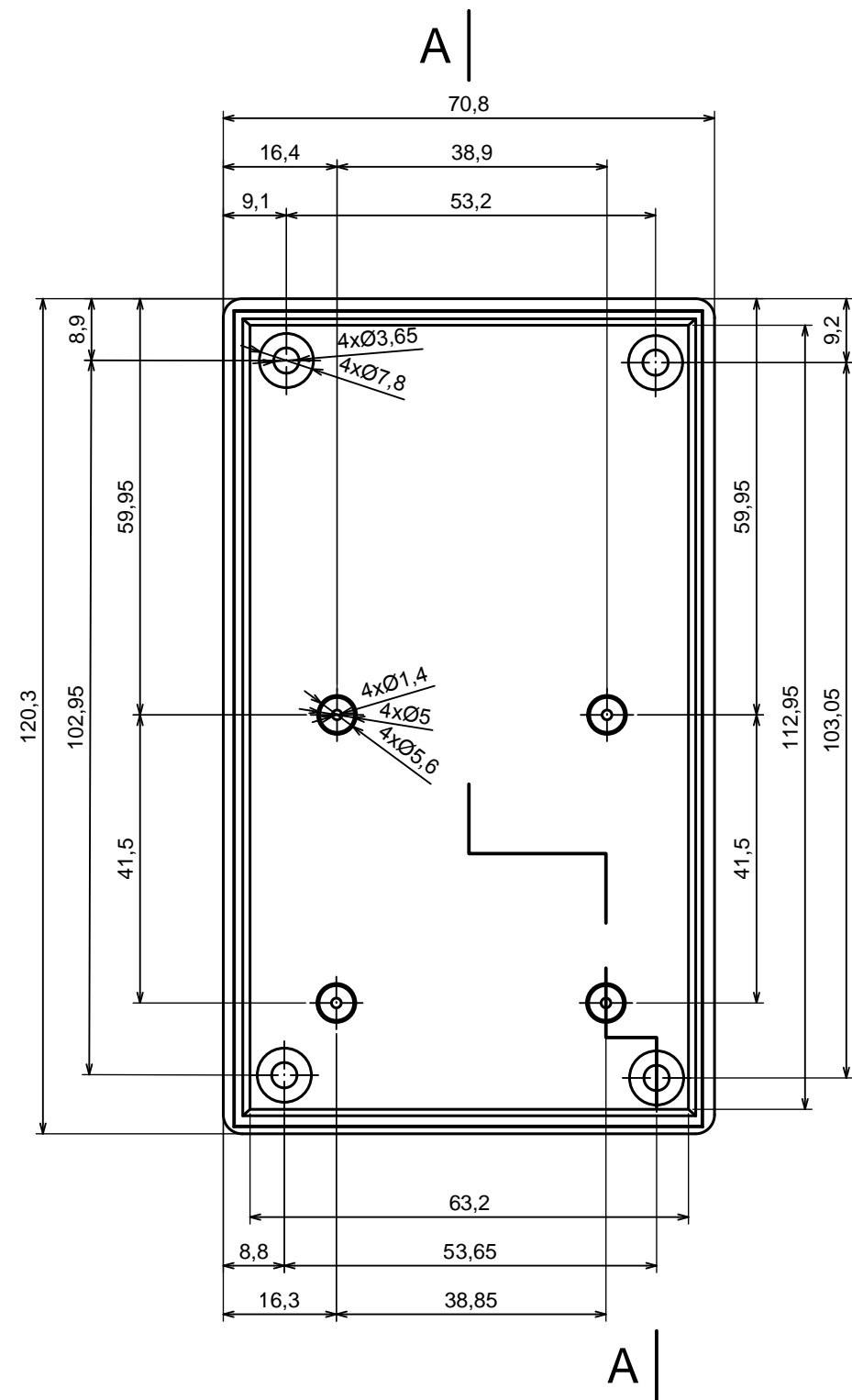
All rights reserved, Copyright Kradex 2016

Product model Enclosure Z30A - assembly

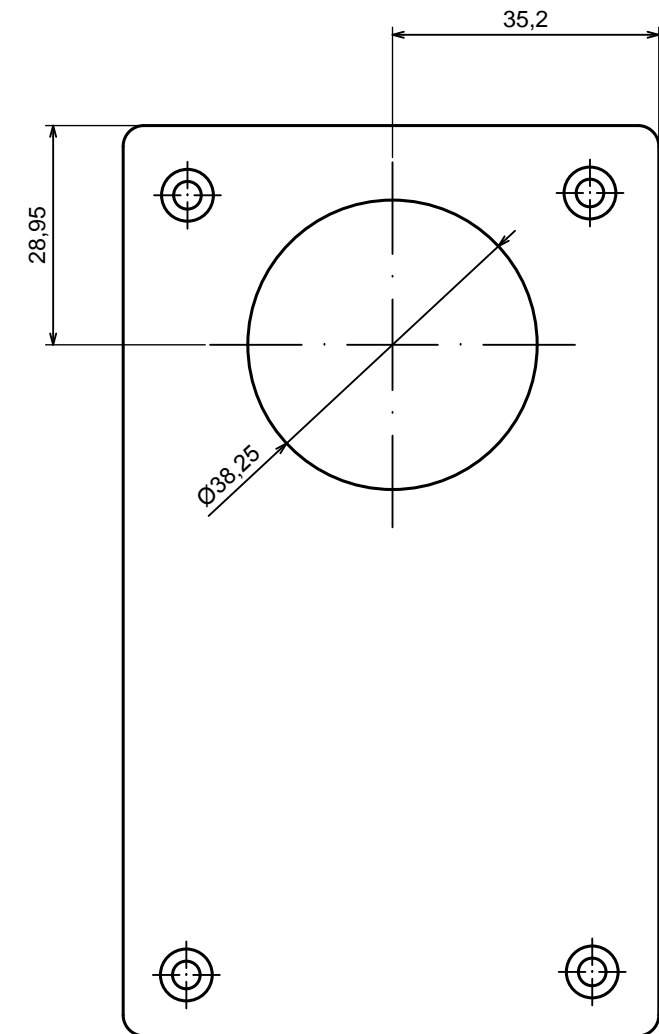
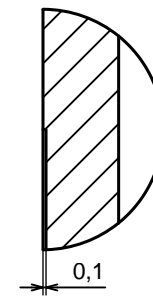
Format: A3 Material: PS, ABS

Scale 1:1 Tolerance: +/- 0.5





C (4:1)



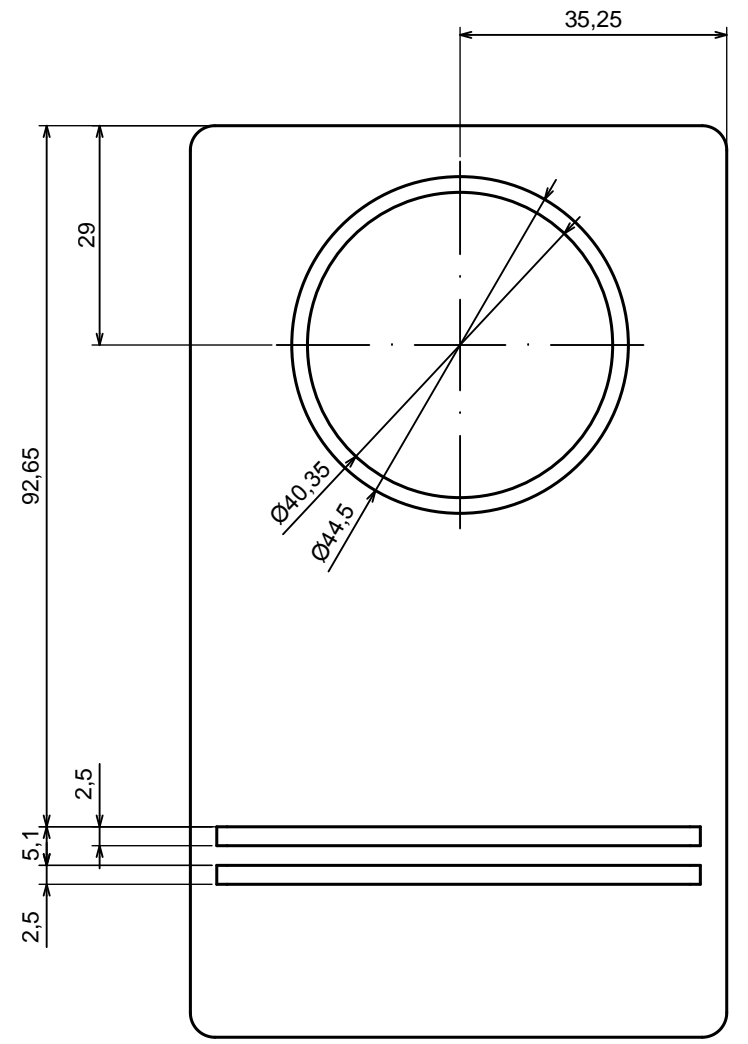
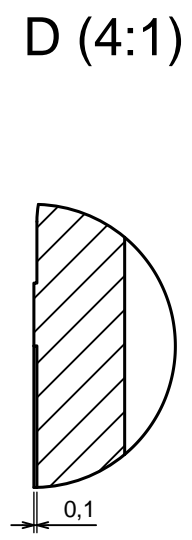
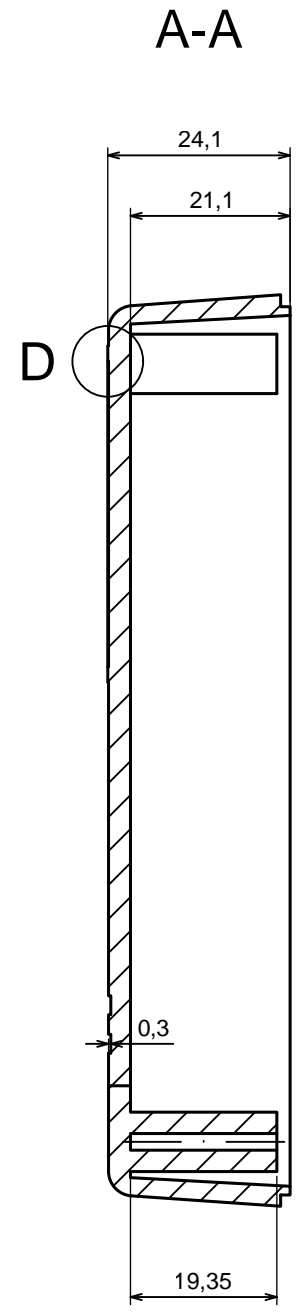
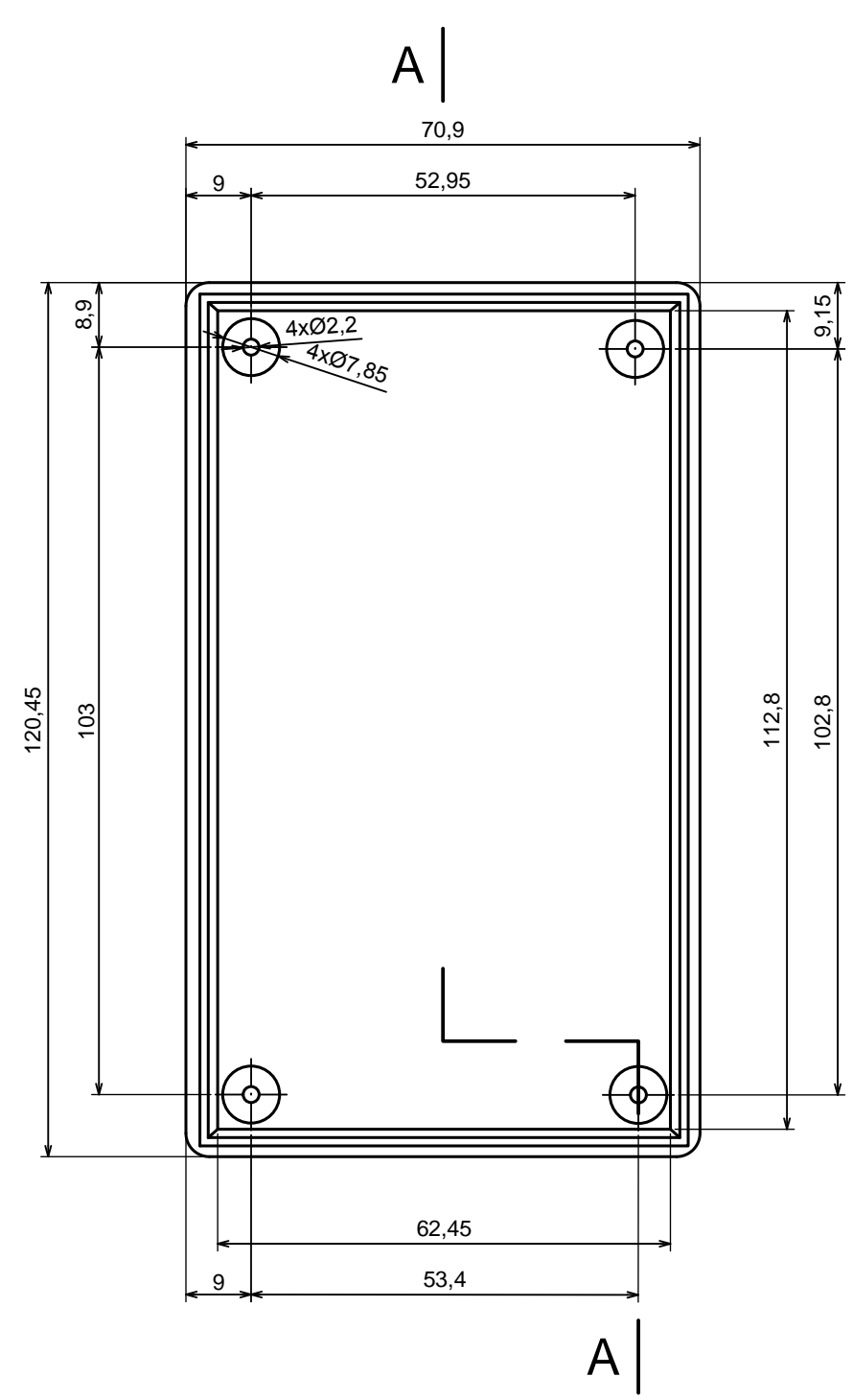
All rights reserved, Copyright Kradox 2016

Product model Enclosure Z30A - base

Format: A3 Material: PS, ABS

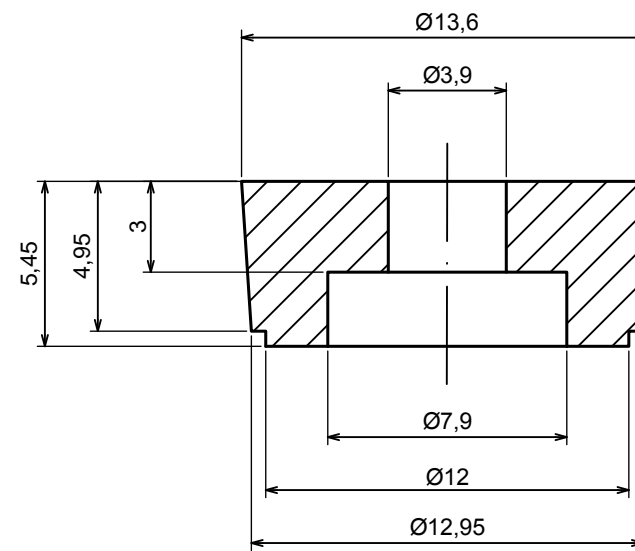
Scale 1:1 Tolerance: +/- 0.5





All rights reserved, Copyright Kradox 2016	
Product model	Enclosure Z30A - cover
Format: A3	Material: PS, ABS
Scale 1:1	Tolerance: +/- 0.5





All rights reserved, Copyright Kradox 2016

Product model: Enclosure Z30A - foot

Format: A3 Material: PS, ABS

Scale 4:1 Tolerance: +/- 0.5

