



Is Now Part of



**ON Semiconductor®**

To learn more about ON Semiconductor, please visit our website at  
[www.onsemi.com](http://www.onsemi.com)

ON Semiconductor and the ON Semiconductor logo are trademarks of Semiconductor Components Industries, LLC dba ON Semiconductor or its subsidiaries in the United States and/or other countries. ON Semiconductor owns the rights to a number of patents, trademarks, copyrights, trade secrets, and other intellectual property. A listing of ON Semiconductor's product/patent coverage may be accessed at [www.onsemi.com/site/pdf/Patent-Marking.pdf](http://www.onsemi.com/site/pdf/Patent-Marking.pdf). ON Semiconductor reserves the right to make changes without further notice to any products herein. ON Semiconductor makes no warranty, representation or guarantee regarding the suitability of its products for any particular purpose, nor does ON Semiconductor assume any liability arising out of the application or use of any product or circuit, and specifically disclaims any and all liability, including without limitation special, consequential or incidental damages. Buyer is responsible for its products and applications using ON Semiconductor products, including compliance with all laws, regulations and safety requirements or standards, regardless of any support or applications information provided by ON Semiconductor. "Typical" parameters which may be provided in ON Semiconductor data sheets and/or specifications can and do vary in different applications and actual performance may vary over time. All operating parameters, including "Typicals" must be validated for each customer application by customer's technical experts. ON Semiconductor does not convey any license under its patent rights nor the rights of others. ON Semiconductor products are not designed, intended, or authorized for use as a critical component in life support systems or any FDA Class 3 medical devices or medical devices with a same or similar classification in a foreign jurisdiction or any devices intended for implantation in the human body. Should Buyer purchase or use ON Semiconductor products for any such unintended or unauthorized application, Buyer shall indemnify and hold ON Semiconductor and its officers, employees, subsidiaries, affiliates, and distributors harmless against all claims, costs, damages, and expenses, and reasonable attorney fees arising out of, directly or indirectly, any claim of personal injury or death associated with such unintended or unauthorized use, even if such claim alleges that ON Semiconductor was negligent regarding the design or manufacture of the part. ON Semiconductor is an Equal Opportunity/Affirmative Action Employer. This literature is subject to all applicable copyright laws and is not for resale in any manner.

# FSA2467

## 0.4Ω Low-Voltage Dual DPDT Analog Switch

### Features

- Typical 0.4Ω On Resistance ( $R_{ON}$ ) for +2.7V Supply
- Features Less than 12μA  $I_{CC}$  Current when Sn Input is Lower than  $V_{CC}$
- 0.25Ω Maximum  $R_{ON}$  Flatness for +2.7V Supply
- 3 x 3mm 16-Lead MLP Package
- 1.8x2.6mm 16-Lead UMLP Package
- Broad  $V_{CC}$  Operating Range
- Low THD (0.02% Typical for 32Ω Load)

### Applications

- Cell Phone
- PDA
- Portable Media Player

### Description

The FSA2467 is a dual Double-Pole, Double-Throw (DPDT) analog switch. The FSA2467 operates from a single 1.65V to 4.3V supply. The FSA2467 features an ultra-low on resistance of 0.4Ω at a +2.7V supply and 25°C. This device is fabricated with sub-micron CMOS technology to achieve fast switching speeds and is designed for break-before-make operation.

FSA2467 features very low quiescent current even when the control voltage is lower than the  $V_{CC}$  supply. This feature allows mobile handset applications direct interface with baseband processor general-purpose I/Os.

### Ordering Information

Part Number	Top Mark	Package Description
FSA2467MPX	FSA 2467	16-lead Molded Leadless Package (MLP), JEDEC MO-220, 3 x 3mm Square
FSA2467UMX	GC	16-lead Ultrathin Molded Leadless Package (UMLP), 1.8 x 2.6mm

### Application Diagram

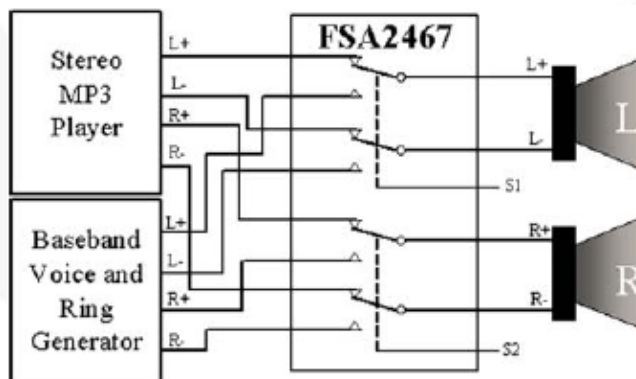


Figure 1. Application Diagram

## Pin Assignments

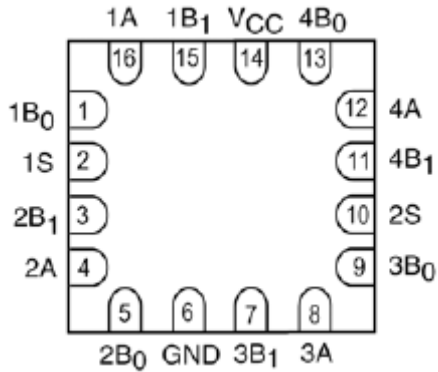


Figure 2. MLP (Top Through View)

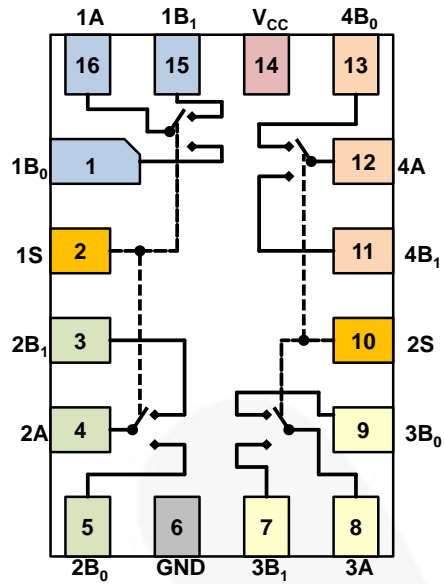


Figure 3. UMLP (Top View)

### Truth Table

Control Inputs	Function
LOW	nB <sub>0</sub> Connected to nA
HIGH	nB <sub>1</sub> Connected to nA

### Pin Descriptions

Name	Function
nA, nB <sub>0</sub> , nB <sub>1</sub>	Data Ports
nS	Control Input

### Analog Symbol

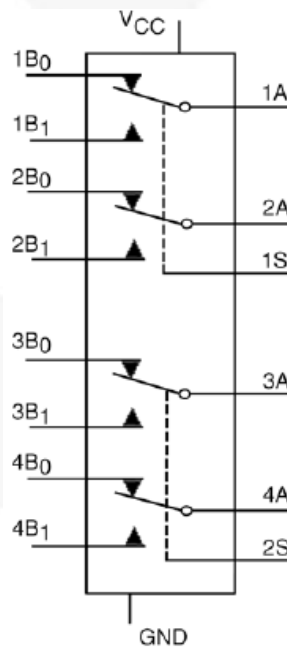


Figure 4. Analog Symbol

## Absolute Maximum Ratings

Stresses exceeding the absolute maximum ratings may damage the device. The device may not function or be operable above the recommended operating conditions and stressing the parts to these levels is not recommended. In addition, extended exposure to stresses above the recommended operating conditions may affect device reliability. The absolute maximum ratings are stress ratings only.

Symbol	Parameter	Min.	Max.	Unit
$V_{CC}$	Supply Voltage	-0.5	5.0	V
$V_S$	Switch Voltage	-0.5	$V_{CC}+0.3$	V
$V_{IN}$	Input Voltage	-0.5	5.0	V
$I_{IK}$	Input Diode Current	-50		mA
$I_{SW}$	Switch Current		350	mA
$I_{SWPEAK}$	Peak Switch Current (Pulsed at 1ms duration, <10% Duty Cycle)		500	mA
$T_{STG}$	Storage Temperature Range	-65	+150	°C
$T_J$	Junction Temperature		+150	°C
$T_L$	Lead Temperature, Soldering 10 Seconds		+260	°C
ESD	Electrostatic Discharge Capability		5.5	kV
				Human Body Model, JESD22-A114

## Recommended Operating Conditions

The Recommended Operating Conditions table defines the conditions for actual device operation. Recommended operating conditions are specified to ensure optimal performance to the datasheet specifications. Fairchild does not recommend exceeding them or designing to Absolute Maximum Ratings.

Symbol	Parameter	Min.	Max.	Unit
$V_{CC}$	Supply Voltage	1.65	4.30	V
$V_{IN}$	Control Input Voltage <sup>(1)</sup>	0	$V_{CC}$	V
$V_S$	Switch Input Voltage	0	$V_{CC}$	V
$T_A$	Operating Temperature	-40	+85	°C

### Note:

- Unused inputs must be held HIGH or LOW. They may not float.

## DC Electrical Characteristics

Typical values are at 25°C unless otherwise specified.

Symbol	Parameter	Condition	V <sub>CC</sub> (V)	T <sub>A</sub> = +25°C			T <sub>A</sub> = -40 to +85°C		Unit
				Min.	Typ.	Max.	Min	Max.	
V <sub>IH</sub>	Input Voltage High		4.3				1.4		V
			2.7 to 3.6				1.3		
			2.3 to 2.7				1.1		
			1.65 to 1.95				0.9		
V <sub>IL</sub>	Input Voltage Low		4.3					0.7	V
			2.7 to 3.6					0.5	
			2.3 to 2.7					0.4	
			1.65 to 1.95					0.4	
I <sub>IN</sub>	Control Input Leakage	V <sub>IN</sub> =0V to V <sub>CC</sub>	1.65 to 4.30				-0.5	0.5	μA
I <sub>NO(OFF)</sub> I <sub>NC(OFF)</sub>	Off Leakage Current of Port nB <sub>0</sub> and nB <sub>1</sub>	nA=0.3V, V <sub>CC</sub> -0.3V	1.95 to 4.30	-10		10	-50	50	nA
		nB <sub>0</sub> or nB <sub>1</sub> =0.3V, V <sub>CC</sub> -0.3V or floating							
I <sub>A(ON)</sub>	On Leakage Current of Port A	nA=0.3V, V <sub>CC</sub> -0.3V	1.95 to 4.30	-10		10	-50	50	nA
		nB <sub>0</sub> or nB <sub>1</sub> =0.3V, V <sub>CC</sub> -0.3V or Floating							
R <sub>ON</sub>	Switch On Resistance <sup>(2)</sup>	I <sub>OUT</sub> =100mA	4.3		0.4			0.6	Ω
		nB <sub>0</sub> or nB <sub>1</sub> =0V, 0.8V, 1.8V, 2.7V	2.7		0.4			0.6	
		I <sub>OUT</sub> =100mA, nB <sub>0</sub> or nB <sub>1</sub> =0V, 0.7V, 1.2V, 2.3V	2.3	0.55				0.95	
		I <sub>OUT</sub> =100mA, nB <sub>0</sub> or nB <sub>1</sub> =1.0V	1.8	0.8				2.0	
ΔR <sub>ON</sub>	On Resistance Matching Between Channels <sup>(3)</sup>	I <sub>OUT</sub> =100mA, nB <sub>0</sub> or nB <sub>1</sub> =0.8V	2.7	0.04				0.10	Ω
		I <sub>OUT</sub> =100mA, nB <sub>0</sub> or nB <sub>1</sub> =0.7V	2.3	0.03				0.10	
R <sub>FLAT(ON)</sub>	On Resistance Flatness <sup>(4)</sup>	I <sub>OUT</sub> =100mA, B <sub>0</sub> or nB <sub>1</sub> =0V to V <sub>CC</sub>	2.7					0.25	Ω
			2.3					0.3	
I <sub>CC</sub>	Quiescent Supply Current	V <sub>IN</sub> =0V to V <sub>CC</sub> I <sub>OUT</sub> =0V	4.3	-100		100	-500	500	nA
I <sub>CCT</sub>	Increase in I <sub>CC</sub> Current per Control Voltage	V <sub>IN</sub> =1.8V	4.3		7	12		15	μA
		V <sub>IN</sub> =2.6V	4.3		3	6		7	

### Notes:

- On resistance is determined by the voltage drop between A and B pins at the indicated current through the switch.
- Δ R<sub>ON</sub>=R<sub>ON max</sub> - R<sub>ON min</sub> measured at identical V<sub>CC</sub>, temperature and voltage.
- Flatness is defined as the difference between the maximum and minimum value of on resistance over the specified range of conditions.

## AC Electrical Characteristics

Typical values are at 25°C unless otherwise specified.

Symbol	Parameter	Condition	V <sub>CC</sub>	T <sub>A</sub> = +25°C			T <sub>A</sub> = -40 to +85°C		Unit	Figure
				Min.	Typ.	Max.	Min.	Max.		
t <sub>ON</sub>	Turn-On Time	nB0 or nB1=1.5V	3.6 to 4.3			50		60	ns	Figure 8
		R <sub>L</sub> =50Ω, C <sub>L</sub> =35pF	2.7 to 3.6			65		75		
			2.3 to 2.7			80		90		
t <sub>OFF</sub>	Turn-Off Time	nB0 or nB1=1.5V	3.6 to 4.3			32		40	ns	Figure 8
		R <sub>L</sub> =50Ω, C <sub>L</sub> =35pF	2.7 to 3.6			42		50		
			2.3 to 2.7			52		60		
t <sub>BBM</sub>	Break-Before-Make Time	nB0 or nB1=1.5V	3.6 to 4.3		12				ns	Figure 9
		R <sub>L</sub> =50Ω, C <sub>L</sub> =35pF	2.7 to 3.6		15					
			2.3 to 2.7		20					
Q	Charge Injection	C <sub>L</sub> =100pF, V <sub>GEN</sub> =0V, R <sub>GEN</sub> =0Ω	3.6 to 4.3		15				pC	Figure 11
		C <sub>L</sub> =100pF, V <sub>GEN</sub> =0V, R <sub>GEN</sub> =0Ω	2.7 to 3.6		10					
		C <sub>L</sub> =100pF, V <sub>GEN</sub> =0V, R <sub>GEN</sub> =0Ω	2.3 to 2.7		8					
OIRR	Off Isolation	f=100KHz, R <sub>L</sub> =50Ω, C <sub>L</sub> =5pF	3.6 to 4.3		-75				dB	Figure 10
			2.7 to 3.6		-75					
			2.3 to 2.7		-75					
Xtalk	Crosstalk	f=100KHz, R <sub>L</sub> =50Ω, C <sub>L</sub> =5pF	3.6 to 4.3		-75				dB	Figure 10
			2.7 to 3.6		-75					
			2.3 to 2.7		-75					
BW	-3dB Bandwidth	R <sub>L</sub> =50Ω	2.3 to 4.3		85				MHZ	Figure 13
THD	Total Harmonic Distortion	R <sub>L</sub> =32Ω, V <sub>IN</sub> =2V <sub>PP</sub> , f=20 to 20kHz	3.6 to 4.3		0.02				%	Figure 14
		R <sub>L</sub> =32Ω, V <sub>IN</sub> =2V <sub>PP</sub> , f=20 to 20kHz	2.7 to 3.6		0.02					
		R <sub>L</sub> =32Ω, V <sub>IN</sub> =2V <sub>PP</sub> , f=20 to 20kHz	2.3 to 2.7		0.02					

## Capacitance

Symbol	Parameter	Condition	V <sub>CC</sub>	T <sub>A</sub> = +25°C Typical	Unit	Figure
C <sub>IN</sub>	Control Pin Input Capacitance	f=1MHZ	0	1.5	pF	Figure 8
C <sub>OFF</sub>	B Port Off Capacitance	f=1MHZ	3.3	32	pF	Figure 8
C <sub>ON</sub>	A Port On Capacitance	f=1MHZ	3.3	118	pF	Figure 8

Typical Applications

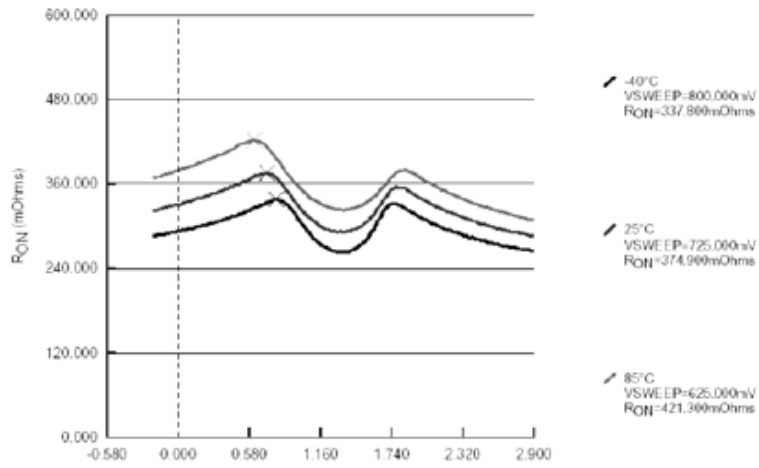


Figure 5.  $R_{ON}$  at 2.7V  $V_{CC}$

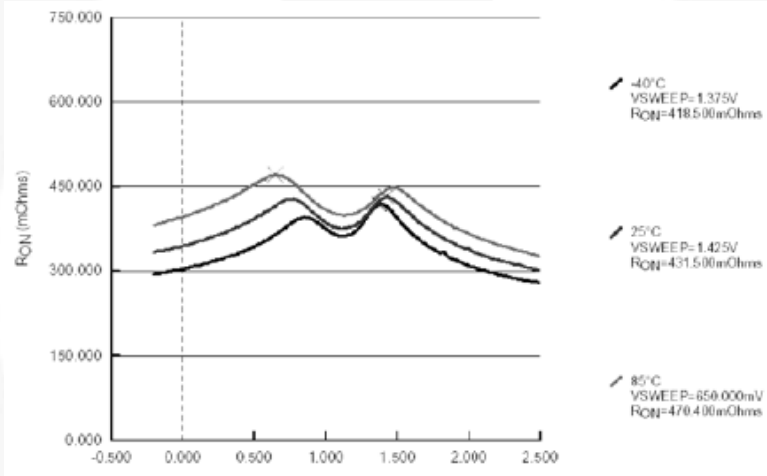


Figure 6.  $R_{ON}$  at 2.3V  $V_{CC}$

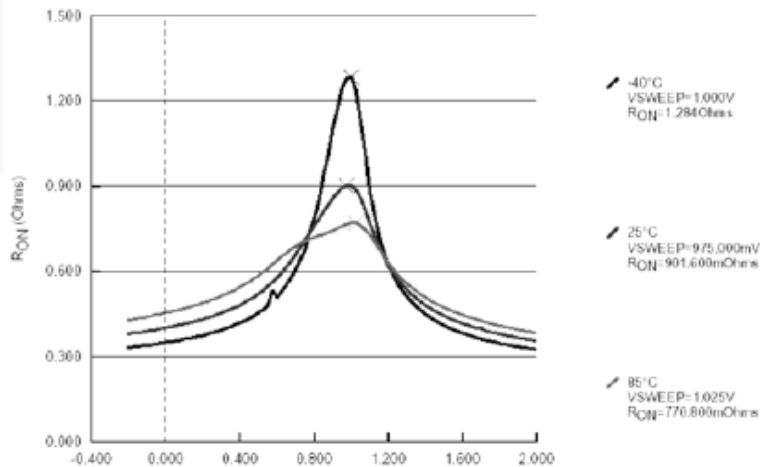
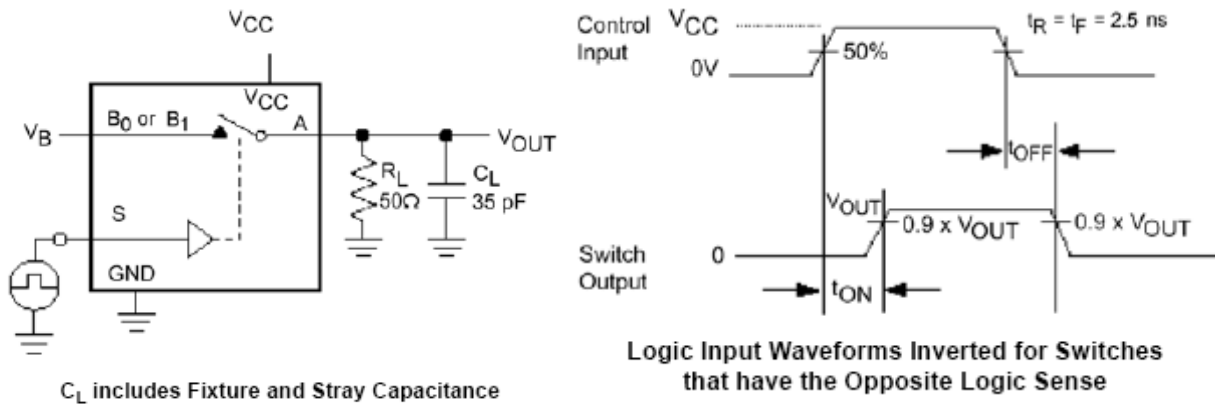


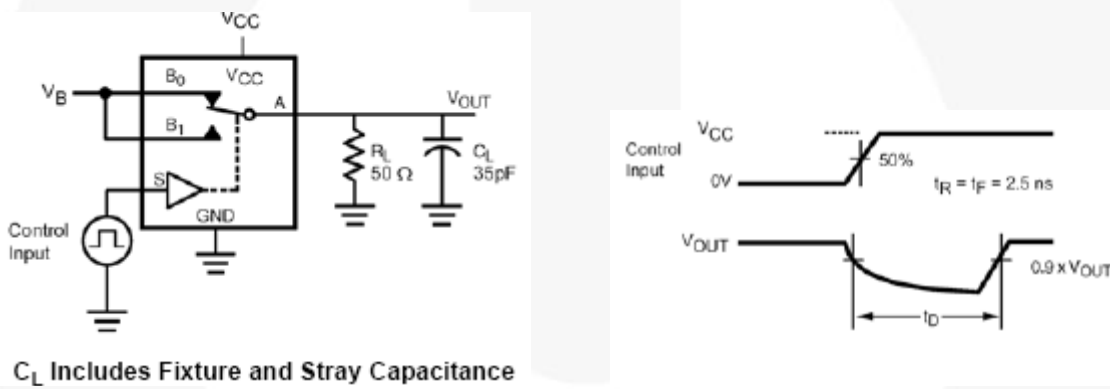
Figure 7.  $R_{ON}$  at 1.8V  $V_{CC}$

### AC Loadings and Waveforms



$C_L$  includes Fixture and Stray Capacitance

Figure 8. Turn-On / Turn-Off Timing



$C_L$  Includes Fixture and Stray Capacitance

Figure 9. Break-Before-Make Timing

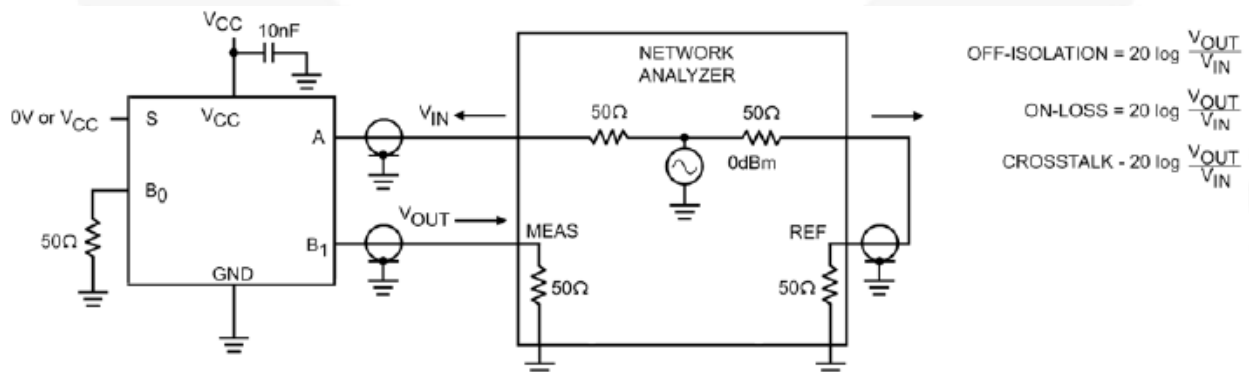
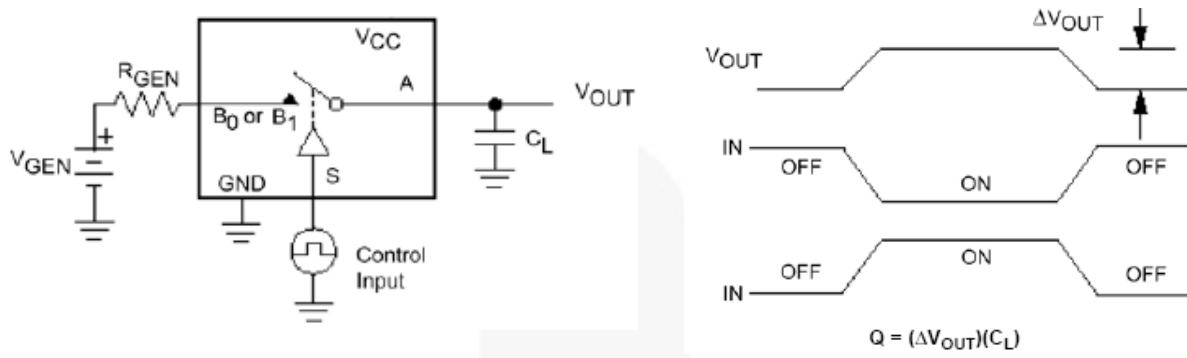


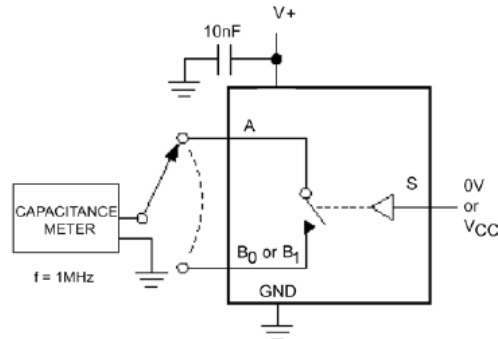
Figure 10. Off Isolation and Crosstalk



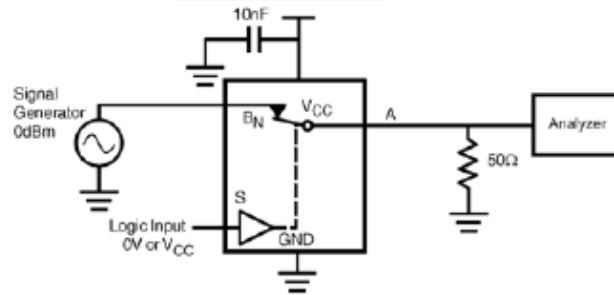
**AC Loadings and Waveforms** (Continued)



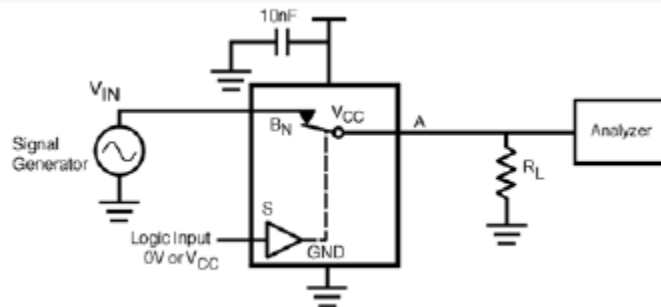
**Figure 11. Charge Injection**



**Figure 12. On / Off Capacitance Measurement Setup**

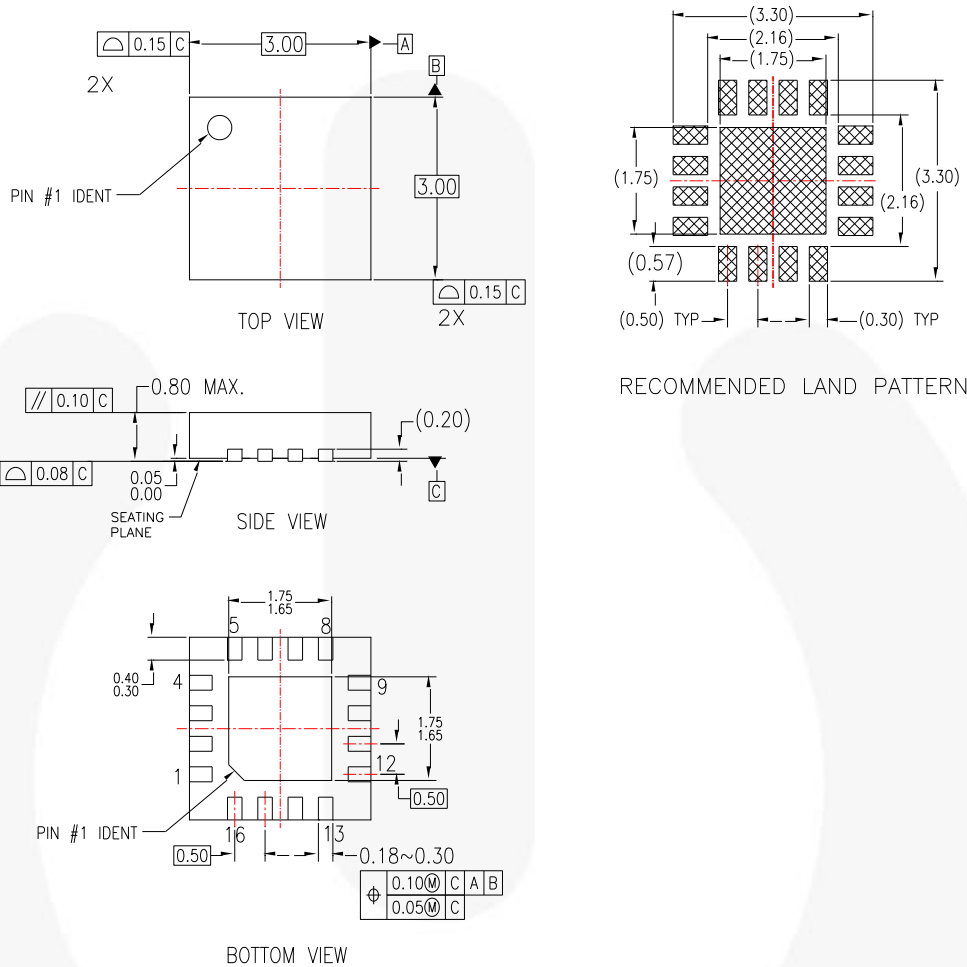


**Figure 13. Bandwidth**



**Figure 14. Harmonic Distortion**

## Package Dimensions



### NOTES:

- CONFORMS TO JEDEC REGISTRATION MO-220, VARIATION WEED-Pending, DATED pending
- DIMENSIONS ARE IN MILLIMETERS.
- DIMENSIONS AND TOLERANCES PER ASME Y14.5M, 1994
- DIMENSIONS ARE EXCLUSIVE OF BURS, MOLD FLASH, AND TIE BAR EXTRUSIONS.

MLP16BrevB

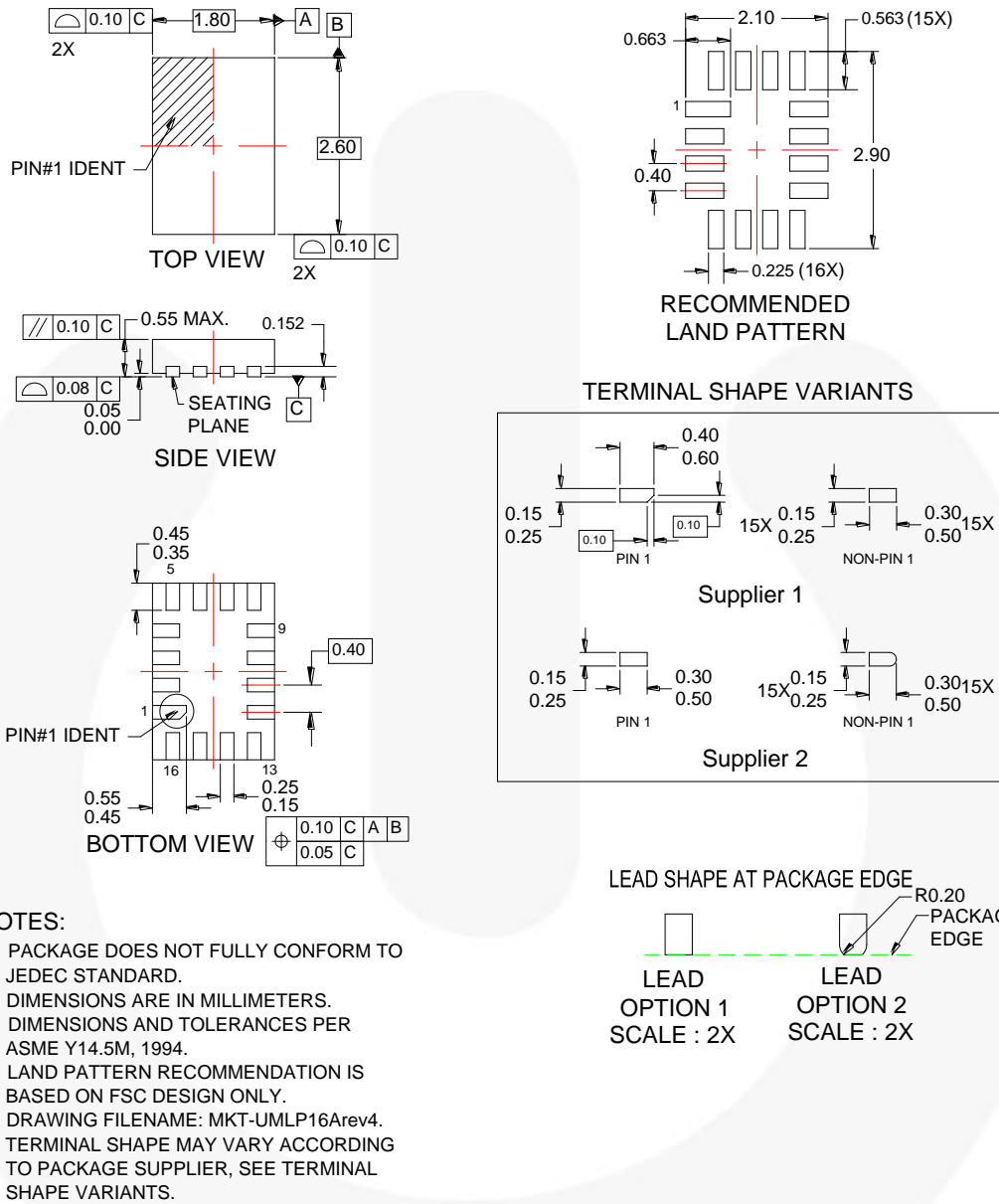
**Figure 15. 16-Lead, Molded Leadless Package (MLP), JEDEC MO-220 3x3mm Square**

Package drawings are provided as a service to customers considering Fairchild components. Drawings may change in any manner without notice. Please note the revision and/or date on the drawing and contact a Fairchild Semiconductor representative to verify or obtain the most recent revision. Package specifications do not expand the terms of Fairchild's worldwide terms and conditions, specifically the warranty therein, which covers Fairchild products.

Always visit Fairchild Semiconductor's online packaging area for the most recent package drawings:  
<http://www.fairchildsemi.com/packaging/>.

For current tape and reel specifications, visit Fairchild Semiconductor's online packaging area:  
[http://www.fairchildsemi.com/packaging/3x3MLP16\\_Pack\\_TNR.pdf](http://www.fairchildsemi.com/packaging/3x3MLP16_Pack_TNR.pdf).

## Package Dimensions



**Figure 16. 16-Lead, Ultrathin Molded Leadless Package (UMLP)**





Package drawings are provided as a service to customers considering Fairchild components. Drawings may change in any manner without notice. Please note the revision and/or date on the drawing and contact a Fairchild Semiconductor representative to verify or obtain the most recent revision. Package specifications do not expand the terms of Fairchild's worldwide terms and conditions, specifically the warranty therein, which covers Fairchild products.

Always visit Fairchild Semiconductor's online packaging area for the most recent package drawings:  
<http://www.fairchildsemi.com/packaging/>



**TRADEMARKS**

The following includes registered and unregistered trademarks and service marks, owned by Fairchild Semiconductor and/or its global subsidiaries, and is not intended to be an exhaustive list of all such trademarks.

- |  |  |   |   |
|--|--|---|---|
| 2Cool™   | F-PFS™   | PowerTrench®  | The Power Franchise®  |
| AccuPower™   | FRFET®   | PowerXS™  | <b>the power franchise</b>  |
| AX-CAP™*   | Global Power Resource™                         | Programmable Active Droop™  | TinyBoost™  |
| BitSiC™  | GreenBridge™                                   | QFET®   | TinyBuck™   |
| Build it Now™  | Green FPS™                                     | QS™   | TinyCalc™   |
| CorePLUS™  | Green FPS™ e-Series™                           | Quiet Series™   | TinyLogic®  |
| CorePOWER™   | Gmax™  | RapidConfigure™   | TINYOPTO™   |
| CROSSVOLT™   | GTO™   |  ™ | TinyPower™  |
| CTL™   | IntelliMAX™                                    | Saving our world, 1mW/WkW at a time™  | TinyPWM™  |
| Current Transfer Logic™  | ISOPLANAR™                                     | SignalWise™   | TinyWire™   |
| DEUXPEED®  | Making Small Speakers Sound Louder and Better™ | SmartMax™   | TranSiC™  |
| Dual Cool™   | MegaBuck™                                      | SMART START™  | TriFault Detect™  |
| EcoSPARK®  | MICROCOUPLER™                                  | Solutions for Your Success™   | TRUECURRENT®*   |
| EfficientMax™  | MicroFET™                                      | SPM®  | µSerDes™  |
| ESBC™  | MicroPak™                                      | STEALTH™  |  ™ |
|  Fairchild® | MicroPak2™                                     | SuperFET®   | UHC®  |
| Fairchild Semiconductor®   | MillerDrive™                                   | SuperSOT™-3   | Ultra FRFET™  |
| FACT Quiet Series™   | MotionMax™                                     | SuperSOT™-6   | UniFET™   |
| FACT®  | Motion-SPM™                                    | SuperSOT™-8   | VCX™  |
| FAST®  | mWSaver™                                       | SupreMOS®   | VisualMax™  |
| FastvCore™   | OptoHiT™                                       | SyncFET™  | VolagePlus™   |
| FETBench™  | OPTOLOGIC®                                     | Sync-Lock™  | XS™   |
| FlashWriter®*  | OPTOPLANAR®                                    |  ™ |   |
| FPS™   |  |   |   |

\* Trademarks of System General Corporation, used under license by Fairchild Semiconductor.

**DISCLAIMER**

FAIRCHILD SEMICONDUCTOR RESERVES THE RIGHT TO MAKE CHANGES WITHOUT FURTHER NOTICE TO ANY PRODUCTS HEREIN TO IMPROVE RELIABILITY, FUNCTION, OR DESIGN. FAIRCHILD DOES NOT ASSUME ANY LIABILITY ARISING OUT OF THE APPLICATION OR USE OF ANY PRODUCT OR CIRCUIT DESCRIBED HEREIN; NEITHER DOES IT CONVEY ANY LICENSE UNDER ITS PATENT RIGHTS, NOR THE RIGHTS OF OTHERS. THESE SPECIFICATIONS DO NOT EXPAND THE TERMS OF FAIRCHILD'S WORLDWIDE TERMS AND CONDITIONS, SPECIFICALLY THE WARRANTY THEREIN, WHICH COVERS THESE PRODUCTS.

**LIFE SUPPORT POLICY**

FAIRCHILD'S PRODUCTS ARE NOT AUTHORIZED FOR USE AS CRITICAL COMPONENTS IN LIFE SUPPORT DEVICES OR SYSTEMS WITHOUT THE EXPRESS WRITTEN APPROVAL OF FAIRCHILD SEMICONDUCTOR CORPORATION.

As used herein:

- Life support devices or systems are devices or systems which, (a) are intended for surgical implant into the body or (b) support or sustain life, and (c) whose failure to perform when properly used in accordance with instructions for use provided in the labeling, can be reasonably expected to result in a significant injury of the user.
- A critical component in any component of a life support, device, or system whose failure to perform can be reasonably expected to cause the failure of the life support device or system, or to affect its safety or effectiveness.

**ANTI-COUNTERFEITING POLICY**

Fairchild Semiconductor Corporation's Anti-Counterfeiting Policy. Fairchild's Anti-Counterfeiting Policy is also stated on our external website, [www.fairchildsemi.com](http://www.fairchildsemi.com), under Sales Support.

Counterfeiting of semiconductor parts is a growing problem in the industry. All manufacturers of semiconductor products are experiencing counterfeiting of their parts. Customers who inadvertently purchase counterfeit parts experience many problems such as loss of brand reputation, substandard performance, failed applications, and increased cost of production and manufacturing delays. Fairchild is taking strong measures to protect ourselves and our customers from the proliferation of counterfeit parts. Fairchild strongly encourages customers to purchase Fairchild parts either directly from Fairchild or from Authorized Fairchild Distributors who are listed by country on our web page cited above. Products customers buy either from Fairchild directly or from Authorized Fairchild Distributors are genuine parts, have full traceability, meet Fairchild's quality standards for handling and storage and provide access to Fairchild's full range of up-to-date technical and product information. Fairchild and our Authorized Distributors will stand behind all warranties and will appropriately address any warranty issues that may arise. Fairchild will not provide any warranty coverage or other assistance for parts bought from Unauthorized Sources. Fairchild is committed to combat this global problem and encourage our customers to do their part in stopping this practice by buying direct or from authorized distributors.

**PRODUCT STATUS DEFINITIONS**

**Definition of Terms**

Datasheet Identification	Product Status	Definition
Advance Information	Formative / In Design	Datasheet contains the design specifications for product development. Specifications may change in any manner without notice.
Preliminary	First Production	Datasheet contains preliminary data; supplementary data will be published at a later date. Fairchild Semiconductor reserves the right to make changes at any time without notice to improve design.
No Identification Needed	Full Production	Datasheet contains final specifications. Fairchild Semiconductor reserves the right to make changes at any time without notice to improve the design.
Obsolete	Not In Production	Datasheet contains specifications on a product that is discontinued by Fairchild Semiconductor. The datasheet is for reference information only.

Rev. I61

# Mouser Electronics

Authorized Distributor

Click to View Pricing, Inventory, Delivery & Lifecycle Information:

[Fairchild Semiconductor:](#)

[FSA2467MPX](#) [FSA2467UMX](#)