

PFM/PWM Step-Up DC/DC Converter

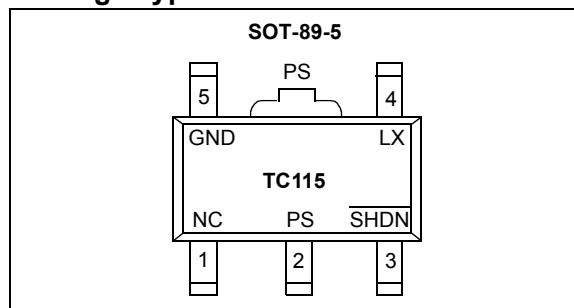
Features

- High Efficiency at Low Output Load Currents via PFM Mode
- Assured Start-up at 0.9V
- 80 μ A (Typ) Supply Current
- 85% Typical Efficiency at 100 mA
- 140 mA Typical Output Current @ $V_{IN} = 2.0V$
- Low Power Shutdown Mode
- No External Switching Transistor Needed
- Space-Saving SOT-89 Package

Applications

- Pagers
- Cellular Phones
- Palmtops
- 1-Cell to 3-Cell Battery Powered Systems
- Cameras, Video Recorders
- Local +3V to +5V Supplies

Package Type



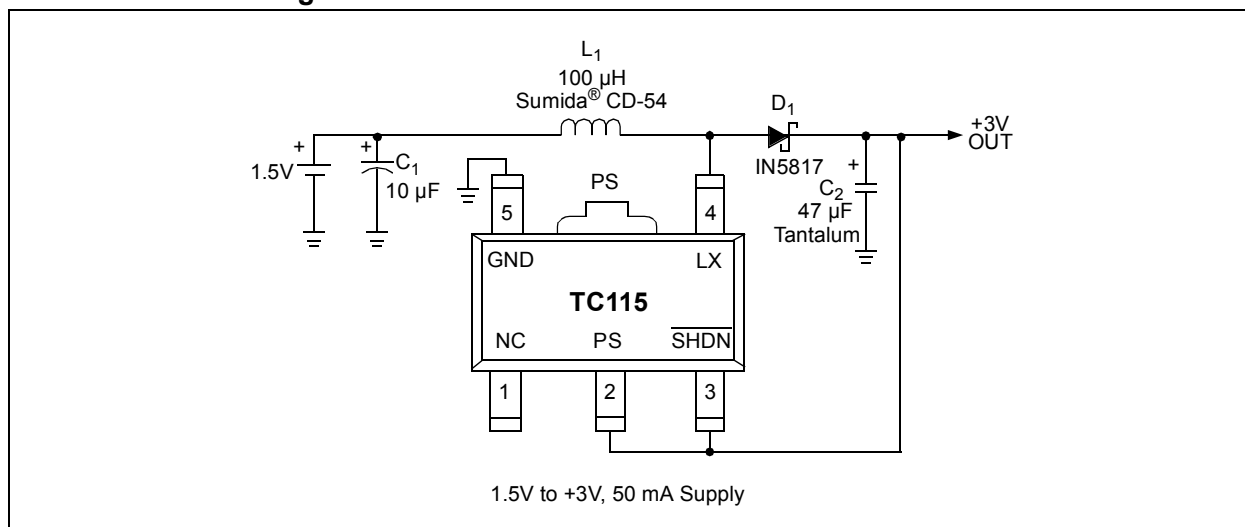
General Description

The TC115 is a high-efficiency step-up DC/DC converter for small, low input voltage or battery-powered systems. This device has a start-up voltage of 0.9V and a typical supply current of 80 μ A. Phase compensation and soft-start circuitry are included on-chip. Unlike conventional PWM step-up converters, the TC115 automatically shifts to pulse frequency modulation (PFM) at low loads, resulting in reduced supply current and improved efficiency.

The TC115 requires only an external diode, an inductor and a capacitor, while supporting typical output currents of 140 mA. Supply current is reduced to less than 0.5 μ A (max) when SHDN input is brought low.

Small size, low installed cost and low supply current make the TC115 step-up converter ideal for use in a wide range of battery-powered systems.

Functional Block Diagram



TC115

1.0 ELECTRICAL CHARACTERISTICS

Absolute Maximum Ratings†

Power Supply Voltage (PS).....	12V
Power Dissipation	500 mW
LX Sink Current.....	400 mA pk
SHDN Input Voltage.....	12V
Operating Temperature Range.....	-40°C to +85°C
Storage Temperature Range.....	-40°C to +125°C

† Stresses above those listed under "Absolute Maximum Ratings" may cause permanent damage to the device. These are stress ratings only and functional operation of the device at these or any other conditions above those indicated in the operation sections of the specifications is not implied. Exposure to Absolute Maximum Rating conditions for extended periods may affect device reliability.

PIN FUNCTION TABLE

Symbol	Description
NC	Not connected
PS	Power and voltage sense input
SHDN	Shutdown input
LX	Inductor switch output
GND	Ground terminal

DC CHARACTERISTICS

Electrical Specifications: Unless otherwise noted, $V_{OUT} = 5V$, $T_A = +25^\circ C$. Circuit configuration is illustrated in Figure 5-1.						
Parameters	Sym	Min	Typ	Max	Units	Conditions
Operating Supply Voltage	V_{IN}	0.9	—	10.0	V	Note 5
Start-Up Supply Voltage	V_{START}	—	—	0.9	V	$I_{OUT} = 1\text{ mA}$
LX Maximum Sink Current	I_{LXMAX}	—	—	350	mA	
LX Limit Frequency	f_{LIM}	—	200	—	kHz	$V_{LX} = VLX_{LIM}$
LX Limit Voltage	VLX_{LIM}	0.7	—	1.3	V	Note 2
No Load Supply Current	I_{DD}	—	13	26	μA	$I_{OUT} = 0$, $V_{IN} = V_{OUT} \times 0.8$ (Note 3)
Boost Mode Supply Current	I_{CC}	—	80	135	μA	No external components, $V_{IN} = (0.95 \times V_{OUT})$ applied to PS (or V_{DD}) input
Standby Supply Current	I_{STBY}	—	9	17	μA	No external components, $V_{IN} = (1.1 \times V_{OUT})$ applied to PS (or V_{DD}) input
Shutdown Supply Current	I_{SD}	—	—	0.5	μA	SHDN = 0V
Oscillator Frequency	f_{OSC}	85	100	115	kHz	Note 2, Note 4
Output Voltage	V_{OUT}	$V_R \times 0.975$	V_R	$V_R \times 1.025$	V	$V_{IN} = 2.2V$ minimum (Note 1)
LX Output ON Resistance	R_{swon}	—	1.4	2.4	Ω	$V_{LX} = 0.4V$
Duty Cycle (PFM Operating Mode)	PFMDUTY	10	17	25	%	No external components
Maximum Duty Cycle	MAXDUTY	80	87	92	%	Note 4
Soft Start Time	t_{SS}	4	10	20	msec	
Efficiency	η	—	85	—	%	
SHDN Input Logic High	V_{IH}	0.75	—	—	V	
SHDN Input Logic Low	V_{IL}	—	—	0.20	V	

- Note 1:** V_R is the nominal factory-programmed output voltage setting.
Note 2: VLX_{LIM} is the voltage on the LX pin (with internal switch ON) that will cause the oscillator to run at twice nominal frequency in to limit the switch current through the internal N-channel switching transistor.
Note 3: Measured with $D_1 = MA735$ (reverse current < 1 μA at a reverse voltage of 10V).
Note 4: With TC115 operating in PWM mode.
Note 5: See Section 4.4, "Behavior When V_{IN} is Greater Than the Factory-Programmed V_{OUT} Setting".

2.0 TYPICAL PERFORMANCE CURVES

Note: The graphs and tables provided following this note are a statistical summary based on a limited number of samples and are provided for informational purposes only. The performance characteristics listed herein are not tested or guaranteed. In some graphs or tables, the data presented may be outside the specified operating range (e.g., outside specified power supply range) and therefore outside the warranted range.

Note: Unless otherwise indicated, $V_{OUT} = 5V$, $T_A = +25^{\circ}C$.

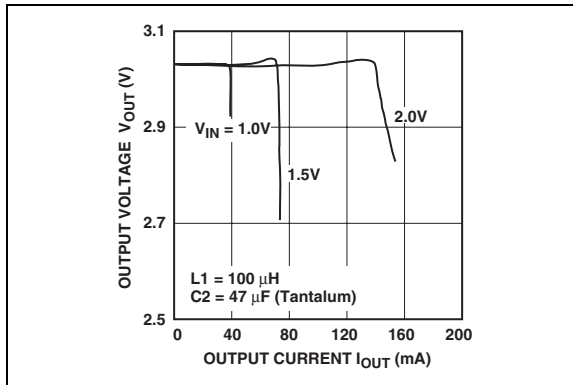


FIGURE 2-1: Output Voltage vs. Output Current.

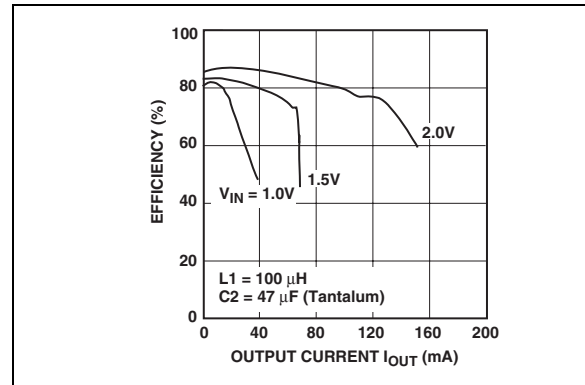


FIGURE 2-3: Efficiency vs. Output Current.

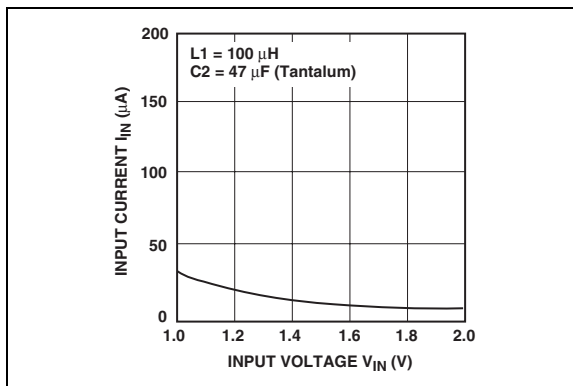


FIGURE 2-2: No Load Input Current vs. Input Voltage.

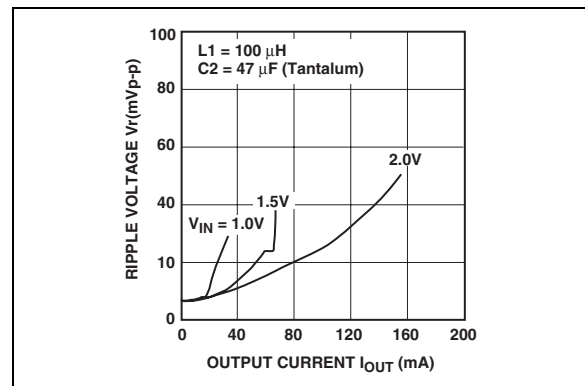


FIGURE 2-4: Ripple Voltage vs. Output Current.

3.0 PIN DESCRIPTIONS

The descriptions of the pins are listed in Table 3-1.

TABLE 3-1: PIN FUNCTION TABLE

Pin No.	Symbol	Description
1	NC	Not connected
2	PS	Power and voltage sense input
3	$\overline{\text{SHDN}}$	Shutdown input
4	LX	Inductor switch output
5	GND	Ground terminal

3.1 Power and Voltage Sense Input (PS)

PS is a dual function input that provides both feedback voltage sensing and internal chip power. It should be connected to the regulator output (See Section 5.0, "Applications").

3.2 Shutdown Input ($\overline{\text{SHDN}}$)

A logic-low on $\overline{\text{SHDN}}$ suspends device operation and supply current is reduced to less than $0.5 \mu\text{A}$. The device resumes normal operation when $\overline{\text{SHDN}}$ is again brought high.

3.3 Inductor Switch Output (LX)

LX is the drain of an internal N-channel switching transistor. This terminal drives the external inductor, which ultimately provides current to the load.

3.4 Ground Terminal (GND)

Connect to circuit ground.

3.5 No Connect (NC)

No internal connection.

4.0 DETAILED DESCRIPTION

The TC115 is a combination PFM/PWM step-up (boost) regulator. It is particularly useful in battery-powered 1, 2 and 3 cell applications where the required output current is 140 mA or less, and size/cost issues are a concern. The device operates in PWM mode when the output load is sufficient to demand a 10% (or greater) duty cycle. While in PWM mode, the TC115 behaves as any other PWM switching regulator to a maximum duty cycle of 92%. At low output loads (i.e., output loads requiring < 10% duty cycle to support), the TC115 automatically switches to pulse frequency modulation (PFM) operating mode with a fixed duty cycle of 25% (max) (17%, typical). While in PFM mode, the inductor is modulated with individual fixed width pulses only as needed to maintain output voltage. This action reduces supply current, thereby improving power efficiency at low output loads.

4.1 Input Power and Sensing

The TC115 is powered from the PS input, which *must* be connected to the regulated output, as shown in Figure 5-1. PS also senses output voltage for closed-loop regulation. Start-up current is furnished through the inductor when input voltage is initially applied. This action starts the oscillator, causing the voltage at the PS input to rise, bootstrapping the regulator into full operation.

4.2 Output Diode

For best results, use a Schottky diode, such as the MA735, 1N5817, EC10 or equivalent. Connect the diode between the PS and LX pins as close to the IC as possible. While ultra fast diodes can be used, lower efficiency will result due to their higher forward voltage drop. Ordinary rectifiers should be avoided because of their slow recovery characteristics.

4.3 Low Power Shutdown Mode

The TC115 enters a low power shutdown mode when $\overline{\text{SHDN}}$ is brought low. While in shutdown, the oscillator is disabled and the internal switch is shut off. Normal regulator operation resumes when $\overline{\text{SHDN}}$ is brought high. $\overline{\text{SHDN}}$ may be tied to the input supply if not used.

Note: Because the TC115 uses an external diode, a leakage path between the input voltage and the output node (through the inductor and diode) exists while the regulator is in shutdown. Care must be taken in system design to assure the input supply is isolated from the load during shutdown.

4.4 Behavior When V_{IN} is Greater Than the Factory-Programmed V_{OUT} Setting

The TC115 is designed to operate as a step-up regulator only. As such, V_{IN} is assumed to always be less than the factory-programmed V_{OUT} setting (V_{R}). Operating the TC115 with $V_{\text{IN}} > V_{\text{R}}$ causes regulating action to be suspended (and corresponding supply current reduction to 9 μA , typical) until V_{IN} is again less than V_{R} . While regulating action is suspended, V_{IN} is connected to V_{OUT} through the series combination of the inductor and Schottky diode. Care must be taken to add the appropriate isolation (MOSFET output switch or post LDO with shutdown) during system design if this $V_{\text{IN}}/V_{\text{OUT}}$ leakage path is problematic.

5.0 APPLICATIONS

5.1 Input Bypass Capacitors

Using an input bypass capacitor reduces peak current transients drawn from the input supply and reduces the switching noise generated by the regulator. The source impedance of the input supply determines the size of the capacitor that should be used.

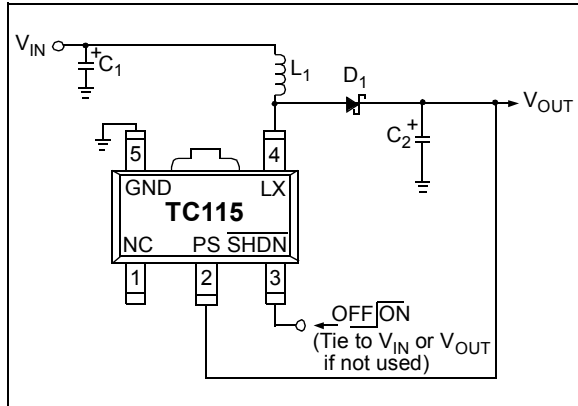


FIGURE 5-1: TC115 Typical Application.

5.2 Inductor Selection

Selecting the proper inductor value is a trade-off between physical size and power conversion requirements. Lower value inductors cost less, but result in higher ripple current and core losses. They are also more prone to saturate since the coil current ramps to a higher value. Larger inductor values reduce both ripple current and core losses, but are larger in physical size and tend to increase the start-up time slightly.

Practical inductor values, therefore, range from 50 μH to 300 μH . Inductors with a ferrite core (or equivalent) are recommended. For highest efficiency, use an inductor with a series resistance less than 0.1 Ω .

The inductor value directly affects the output ripple voltage. Equation 5-3 is derived as shown below, and can be used to calculate an inductor value, given the required output ripple voltage (V_{RIPPLE}) and output capacitor series resistance:

EQUATION 5-1:

$$V_{\text{RIPPLE}} \approx \text{ESR}(di)$$

Where:

ESR: the equivalent series resistance of the output filter capacitor; V_{RIPPLE} is in volts.

di: represents the peak to peak ripple current in the inductor.

Expressing di in terms of switch ON resistance and time:

EQUATION 5-2:

$$V_{\text{RIPPLE}} \approx \frac{[(V_{\text{IN}} - V_{\text{SW}})t_{\text{ON}}]}{L}$$

Where:

V_{SW} = voltage drop across the switch.

T_{ON} = the amount of time the switch is ON.

Solving for L:

EQUATION 5-3:

$$L \approx \frac{[(V_{\text{IN}} - V_{\text{SW}})t_{\text{ON}}]}{V_{\text{RIPPLE}}}$$

Care must be taken to ensure the inductor can handle peak switching currents, which can be several times load currents. Exceeding rated peak current will result in core saturation and loss of inductance. The inductor should be selected to withstand currents greater than I_{PK} (Equation 5-10) without saturating.

Calculating the peak inductor current is straightforward. Inductor current consists of an AC (sawtooth) current centered on an average DC current (i.e., input current). Equation 5-6 calculates the average DC current. Note that minimum input voltage and maximum load current values should be used:

EQUATION 5-4:

$$\text{Input Power} = \frac{\text{Output Power}}{\text{Efficiency}}$$

Rewriting in terms of input and output currents and voltages:

EQUATION 5-5:

$$(V_{IN_{MIN}})(I_{IN_{MAX}}) = \frac{(V_{OUT_{MAX}})(I_{OUT_{MAX}})}{Efficiency}$$

Solving for input current:

EQUATION 5-6:

$$I_{IN_{MAX}} = \frac{(V_{OUT_{MAX}})(I_{OUT_{MAX}})}{(Efficiency)(V_{IN_{MIN}})}$$

The sawtooth current is centered on the DC current level, swinging equally above and below the DC current calculated in Equation 5-6. The peak inductor current is the sum of the DC current plus half the ac current. Note that minimum input voltage should be used when calculating the ac inductor current (Equation 5-9).

EQUATION 5-7:

$$V_L = L(di/dt)$$

EQUATION 5-8:

$$di = V_L(di/dt)$$

EQUATION 5-9:

$$di = \frac{(V_{IN_{MIN}} - V_{SW})t_{ON}}{L}$$

Where:
 V_{SW} = The voltage drop across the internal N-channel MOSFET.

Combining the DC current calculated in Equation 5-6, with half the peak ac current calculated in Equation 5-9, the peak inductor current is given by:

EQUATION 5-10:

$$I_{PK} = I_{IN_{MAX}} + 0.5(di)$$

5.3 Internal Transistor Switch

The LX pin has a typical ON resistance of 1.4Ω. Therefore, peak switch current is given by $(V_{IN}/1.4)$. The internal transistor switch has a maximum design rating of 350 mA. An oscillator frequency doubling circuit is included guard against high switching currents. Should the voltage on the LX pin rise above 1.3V (max) while the internal N-channel switch is ON, the oscillator frequency automatically doubles to minimize ON time. Although reduced, switch current still flows because the PWM remains in operation. *Therefore, the LX input is not internally current-limited and care must be taken never to exceed the 350 mA maximum limit.* Failure to observe this will result in damage to the regulator.

5.4 Output Capacitor

The effective series resistance of the output capacitor directly affects the amplitude of the output voltage ripple (The product of the peak inductor current and the ESR determines output ripple amplitude). Therefore, a capacitor with the lowest possible ESR should be selected. Smaller capacitors are acceptable for light loads (or in applications where ripple is not a concern). The Sprague® 595D series of tantalum capacitors are among the smallest of all low ESR surface mount capacitors available. Table 5-1 lists suggested components and suppliers.

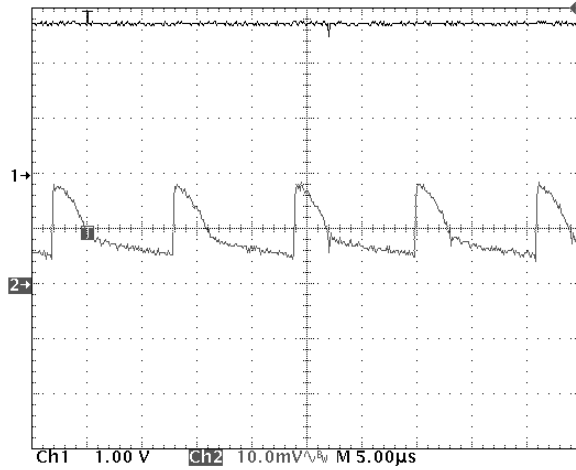
5.5 Board Layout Guidelines

As with all inductive switching regulators, the TC115 generates fast switching waveforms which radiate noise. Interconnecting lead lengths should be minimized to keep stray capacitance, trace resistance and radiated noise as low as possible. In addition, the GND pin, input bypass capacitor and output filter capacitor ground leads should be connected to a single point.

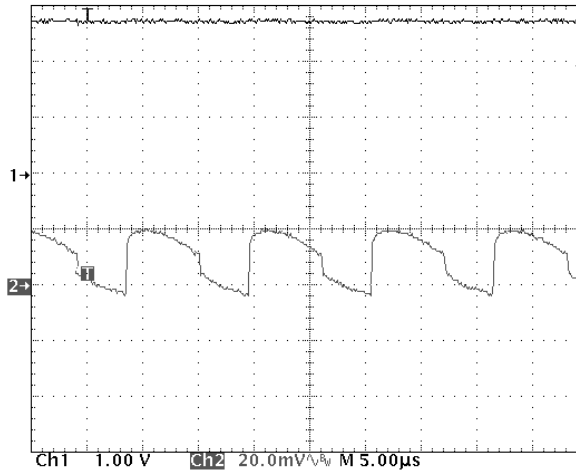
TABLE 5-1: SUGGESTED COMPONENTS AND SUPPLIERS

Type	Inductors	Capacitors	Diodes
Surface Mount	Sumida® CD54 Series CDR125 Series Coiltronics™ CTX Series	Matsuo® 267 Series Sprague® 595D Series Nichicon™ F93 Series	Nihon EC10 Series Matsushita™ MA735 Series
Through-Hole	Sumida® RCH855 Series RCH110 Series Renco® RL1284-12	Sanyo™ OS-CON Series Nichicon™ PL Series	ON Semiconductor® 1N5817 - 1N5822

TC115301
 $V_{IN} = 1.0V$
 $I_{LOAD} = 10\text{ mA}$
 CH1: V_{OUT} (DC)
 CH2: V_{OUT} (AC Ripple)
 $L = 100\ \mu H$
 $C = 47\ \mu F$
 $D1 = MA735$



TC115301
 $V_{IN} = 2.0V$
 $I_{LOAD} = 40\text{ mA}$
 CH1: V_{OUT} (DC)
 CH2: V_{OUT} (AC Ripple)
 $L = 100\ \mu H$
 $C = 47\ \mu F$
 $D1 = MA735$



TC115301
 $V_{IN} = 2.5V$
 $I_{LOAD} = 80\text{ mA}$
 CH1: V_{OUT} (DC)
 CH2: V_{OUT} (AC Ripple)
 $L = 100\ \mu H$
 $C = 47\ \mu F$
 $D1 = MA735$

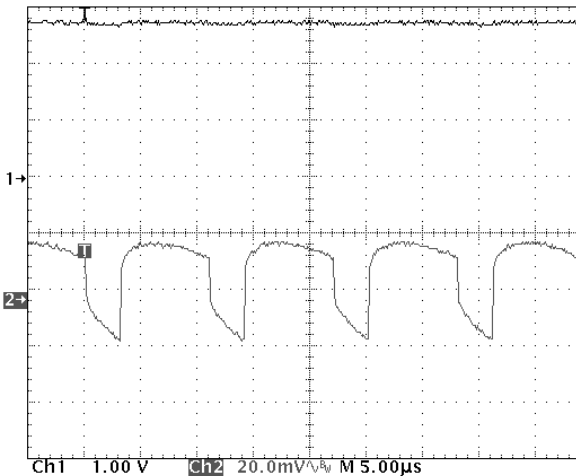
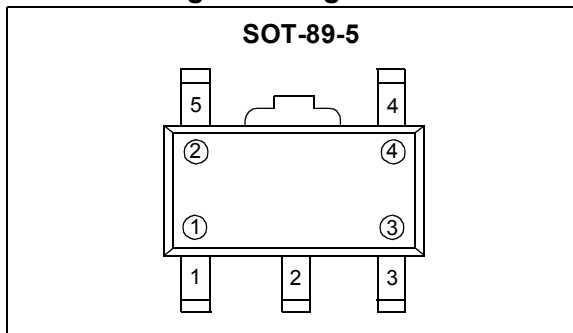


FIGURE 5-2: Typical Ripple Waveforms.

6.0 PACKAGING INFORMATION

6.1 Package Marking Information



① represents product classification; TC115 = $\bar{1}$

② represents first integer of voltage and frequency

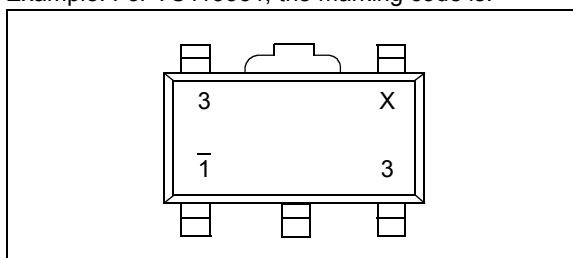
Symbol (100 kHz)	Voltage
1	1.
2	2.
3	3.
4	4.
5	5.
6	6.

③ represents first decimal of voltage and frequency

Symbol (100 kHz)	Voltage
0	.0
1	.1
2	.2
3	.3
4	.4
5	.5
6	.6
7	.7
8	.8
9	.9

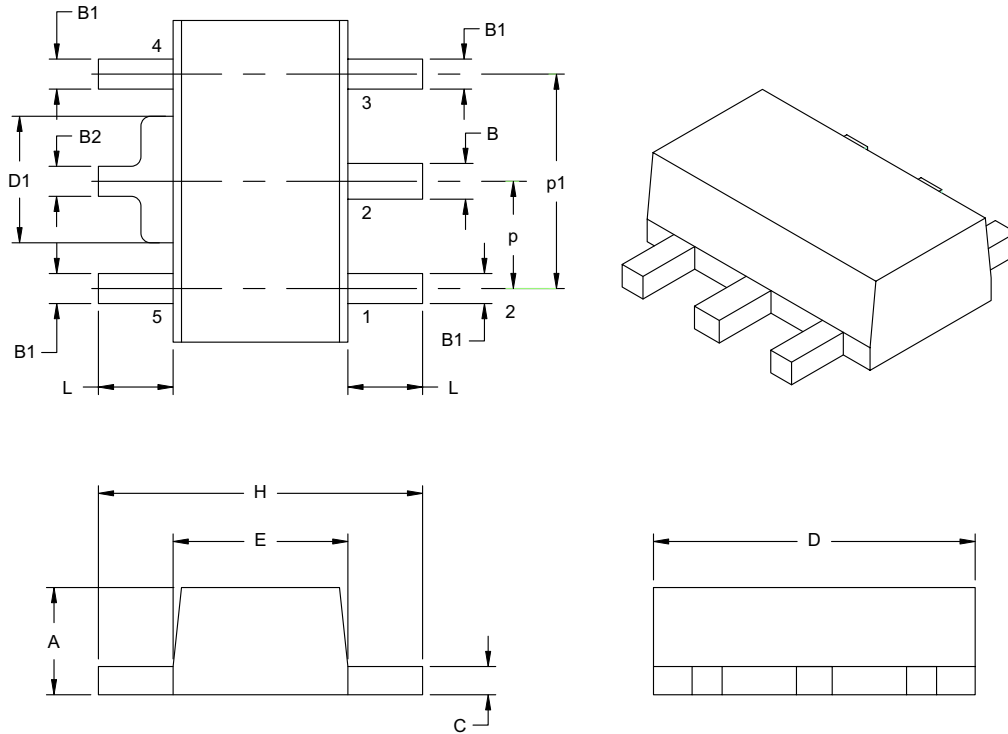
④ represents production lot ID code

Example: For TC115331, the marking code is:



TC115

5-Lead Plastic Small Outline Transistor Header (MT) (SOT-89)



Dimension Limits	Units	INCHES		MILLIMETERS*	
		MIN	MAX	MIN	MAX
Pitch	P	.059 BSC		1.50 BSC	
Outside lead pitch (basic)	p1	.118 BSC		3.00 BSC	
Overall Height	A	.055	.063	1.40	1.60
Overall Width	H	-	.177	-	4.50
Molded Package Width	E	.090	.102	2.29	2.60
Overall Length	D	.173	.181	4.40	4.60
Tab Width	D1	.055	.071	1.40	1.80
Foot Length	L	.031	-	0.80	-
Lead Thickness	c	.015	.017	0.37	0.44
Lead 2 Width	B	.016	.021	0.41	0.53
Leads 1,3, 4 & 5 Width	B1	.014	.019	0.36	0.48
Tab Lead Width	B2	.013	.019	0.32	0.48

*Controlling Parameter

Notes:

Dimensions D and E1 do not include mold flash or protrusions. Mold flash or protrusions shall not exceed .005" (0.127mm) per side.

Drawing No. C04-030

PRODUCT IDENTIFICATION SYSTEM

To order or obtain information, e.g., on pricing or delivery, refer to the factory or the listed sales office.

<u>PART NO.</u>	<u>XX</u>	<u>X</u>	<u>X</u>	<u>XXXX</u>
Device	Output Voltage	Oscillator Frequency	Temperature Range	Package
Device:	TC115:	PFM/PWM Step-Up DC/DC Converter		
Output Voltage:	30 = 3.0V			
	33 = 3.3V			
	50 = 5.0V			
Oscillator Frequency:	1 = 100 kHz			
Temperature Range:	E = -40°C to +85°C			
Package:	MTTR = 5L SOT-89, Tape and Reel			

Examples:

a) TC115301EMTTR: 3.0V Converter

b) TC115331EMTTR: 3.3V Converter

c) TC115501EMTTR: 5.0V Converter

Sales and Support

Data Sheets

Products supported by a preliminary Data Sheet may have an errata sheet describing minor operational differences and recommended workarounds. To determine if an errata sheet exists for a particular device, please contact one of the following:

1. Your local Microchip sales office
2. The Microchip Corporate Literature Center U.S. FAX: (480) 792-7277
3. The Microchip Worldwide Site (www.microchip.com)

Please specify which device, revision of silicon and Data Sheet (include Literature #) you are using.

Customer Notification System

Register on our web site (www.microchip.com/cn) to receive the most current information on our products.

TC115

NOTES:

Note the following details of the code protection feature on Microchip devices:

- Microchip products meet the specification contained in their particular Microchip Data Sheet.
- Microchip believes that its family of products is one of the most secure families of its kind on the market today, when used in the intended manner and under normal conditions.
- There are dishonest and possibly illegal methods used to breach the code protection feature. All of these methods, to our knowledge, require using the Microchip products in a manner outside the operating specifications contained in Microchip's Data Sheets. Most likely, the person doing so is engaged in theft of intellectual property.
- Microchip is willing to work with the customer who is concerned about the integrity of their code.
- Neither Microchip nor any other semiconductor manufacturer can guarantee the security of their code. Code protection does not mean that we are guaranteeing the product as "unbreakable."

Code protection is constantly evolving. We at Microchip are committed to continuously improving the code protection features of our products. Attempts to break microchip's code protection feature may be a violation of the Digital Millennium Copyright Act. If such acts allow unauthorized access to your software or other copyrighted work, you may have a right to sue for relief under that Act.

Information contained in this publication regarding device applications and the like is intended through suggestion only and may be superseded by updates. It is your responsibility to ensure that your application meets with your specifications. No representation or warranty is given and no liability is assumed by Microchip Technology Incorporated with respect to the accuracy or use of such information, or infringement of patents or other intellectual property rights arising from such use or otherwise. Use of Microchip's products as critical components in life support systems is not authorized except with express written approval by Microchip. No licenses are conveyed, implicitly or otherwise, under any intellectual property rights.

Trademarks

The Microchip name and logo, the Microchip logo, KEELOQ, MPLAB, PIC, PICmicro, PICSTART, PRO MATE and PowerSmart are registered trademarks of Microchip Technology Incorporated in the U.S.A. and other countries.


FilterLab, microID, MXDEV, MXLAB, PICMASTER, SEEVAL and The Embedded Control Solutions Company are registered trademarks of Microchip Technology Incorporated in the U.S.A.

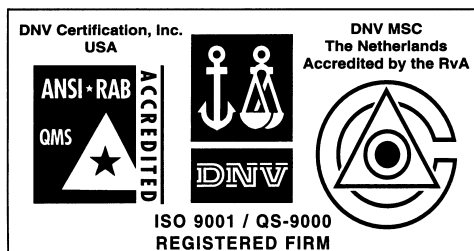
Accuron, Application Maestro, dsPIC, dsPICDEM, dsPICDEM.net, ECONOMONITOR, FanSense, FlexROM, fuzzyLAB, In-Circuit Serial Programming, ICSP, ICEPIC, microPort, Migratable Memory, MPASM, MPLIB, MPLINK, MPSIM, PICC, PICkit, PICDEM, PICDEM.net, PowerCal, PowerInfo, PowerMate, PowerTool, rLAB, rPIC, Select Mode, SmartSensor, SmartShunt, SmartTel and Total Endurance are trademarks of Microchip Technology Incorporated in the U.S.A. and other countries.

Serialized Quick Turn Programming (SQTP) is a service mark of Microchip Technology Incorporated in the U.S.A.

All other trademarks mentioned herein are property of their respective companies.

© 2003, Microchip Technology Incorporated, Printed in the U.S.A., All Rights Reserved.

 Printed on recycled paper.



Microchip received QS-9000 quality system certification for its worldwide headquarters, design and wafer fabrication facilities in Chandler and Tempe, Arizona in July 1999 and Mountain View, California in March 2002. The Company's quality system processes and procedures are QS-9000 compliant for its PICmicro® 8-bit MCUs, KEELOQ® code hopping devices, Serial EEPROMs, microperipherals, non-volatile memory and analog products. In addition, Microchip's quality system for the design and manufacture of development systems is ISO 9001 certified.



WORLDWIDE SALES AND SERVICE

AMERICAS

Corporate Office

2355 West Chandler Blvd.
Chandler, AZ 85224-6199
Tel: 480-792-7200 Fax: 480-792-7277
Technical Support: 480-792-7627
Web Address: <http://www.microchip.com>

Atlanta

3780 Mansell Road, Suite 130
Alpharetta, GA 30022
Tel: 770-640-0034 Fax: 770-640-0307

Boston

2 Lan Drive, Suite 120
Westford, MA 01886
Tel: 978-692-3848 Fax: 978-692-3821

Chicago

333 Pierce Road, Suite 180
Itasca, IL 60143
Tel: 630-285-0071 Fax: 630-285-0075

Dallas

4570 Westgrove Drive, Suite 160
Addison, TX 75001
Tel: 972-818-7423 Fax: 972-818-2924

Detroit

Tri-Atria Office Building
32255 Northwestern Highway, Suite 190
Farmington Hills, MI 48334
Tel: 248-538-2250 Fax: 248-538-2260

Kokomo

2767 S. Albright Road
Kokomo, IN 46902
Tel: 765-864-8360 Fax: 765-864-8387

Los Angeles

18201 Von Karman, Suite 1090
Irvine, CA 92612
Tel: 949-263-1888 Fax: 949-263-1338

Phoenix

2355 West Chandler Blvd.
Chandler, AZ 85224-6199
Tel: 480-792-7966 Fax: 480-792-4338

San Jose

Microchip Technology Inc.
2107 North First Street, Suite 590
San Jose, CA 95131
Tel: 408-436-7950 Fax: 408-436-7955

Toronto

6285 Northam Drive, Suite 108
Mississauga, Ontario L4V 1X5, Canada
Tel: 905-673-0699 Fax: 905-673-6509

ASIA/PACIFIC

Australia

Microchip Technology Australia Pty Ltd
Marketing Support Division
Suite 22, 41 Rawson Street
Epping 2121, NSW
Australia
Tel: 61-2-9868-6733 Fax: 61-2-9868-6755

China - Beijing

Microchip Technology Consulting (Shanghai)
Co., Ltd., Beijing Liaison Office
Unit 915
Bei Hai Wan Tai Bldg.
No. 6 Chaoyangmen Beidajie
Beijing, 100027, No. China
Tel: 86-10-85282100 Fax: 86-10-85282104

China - Chengdu

Microchip Technology Consulting (Shanghai)
Co., Ltd., Chengdu Liaison Office
Rm. 2401-2402, 24th Floor,
Ming Xing Financial Tower
No. 88 TIDU Street
Chengdu 610016, China
Tel: 86-28-86766200 Fax: 86-28-86766599

China - Fuzhou

Microchip Technology Consulting (Shanghai)
Co., Ltd., Fuzhou Liaison Office
Unit 28F, World Trade Plaza
No. 71 Wusi Road
Fuzhou 350001, China
Tel: 86-591-7503506 Fax: 86-591-7503521

China - Hong Kong SAR

Microchip Technology Hongkong Ltd.
Unit 901-6, Tower 2, Metroplaza
223 Hing Fong Road
Kwai Fong, N.T., Hong Kong
Tel: 852-2401-1200 Fax: 852-2401-3431

China - Shanghai

Microchip Technology Consulting (Shanghai)
Co., Ltd.
Room 701, Bldg. B
Far East International Plaza
No. 317 Xian Xia Road
Shanghai, 200051
Tel: 86-21-6275-5700 Fax: 86-21-6275-5060

China - Shenzhen

Microchip Technology Consulting (Shanghai)
Co., Ltd., Shenzhen Liaison Office
Rm. 1812, 18/F, Building A, United Plaza
No. 5022 Binhe Road, Futian District
Shenzhen 518033, China
Tel: 86-755-82901380 Fax: 86-755-82966626

China - Qingdao

Rm. B505A, Fullhope Plaza,
No. 12 Hong Kong Central Rd.
Qingdao 266071, China
Tel: 86-532-5027355 Fax: 86-532-5027205

India

Microchip Technology Inc.
India Liaison Office
Marketing Support Division
Divyasree Chambers
1 Floor, Wing A (A3/A4)
No. 11, O'Shaughnessey Road
Bangalore, 560 025, India
Tel: 91-80-2290061 Fax: 91-80-2290062

Japan

Microchip Technology Japan K.K.
Benex S-1 6F
3-18-20, Shinyokohama
Kohoku-Ku, Yokohama-shi
Kanagawa, 222-0033, Japan
Tel: 81-45-471-6166 Fax: 81-45-471-6122

Korea

Microchip Technology Korea
168-1, Youngbo Bldg. 3 Floor
Samsung-Dong, Kangnam-Ku
Seoul, Korea 135-882
Tel: 82-2-554-7200 Fax: 82-2-558-5934

Singapore

Microchip Technology Singapore Pte Ltd.
200 Middle Road
#07-02 Prime Centre
Singapore, 188980
Tel: 65-6334-8870 Fax: 65-6334-8850

Taiwan

Microchip Technology (Barbados) Inc.,
Taiwan Branch
11F-3, No. 207
Tung Hua North Road
Taipei, 105, Taiwan
Tel: 886-2-2717-7175 Fax: 886-2-2545-0139

EUROPE

Austria

Microchip Technology Austria GmbH
Durisolstrasse 2
A-4600 Wels
Austria
Tel: 43-7242-2244-399
Fax: 43-7242-2244-393

Denmark

Microchip Technology Nordic ApS
Regus Business Centre
Lautrup høj 1-3
Ballerup DK-2750 Denmark
Tel: 45-4420-9895 Fax: 45-4420-9910

France

Microchip Technology SARL
Parc d'Activite du Moulin de Massy
43 Rue du Saule Trapu
Batiment A - ler Etage
91300 Massy, France
Tel: 33-1-69-53-63-20 Fax: 33-1-69-30-90-79

Germany

Microchip Technology GmbH
Steinheilstrasse 10
D-85737 Ismaning, Germany
Tel: 49-89-627-144-0
Fax: 49-89-627-144-44

Italy

Microchip Technology SRL
Via Quasimodo, 12
20025 Legnano (MI)
Milan, Italy
Tel: 39-0331-742611 Fax: 39-0331-466781

United Kingdom

Microchip Ltd.
505 Eskdale Road
Winnersh Triangle
Wokingham
Berkshire, England RG41 5TU
Tel: 44-118-921-5869 Fax: 44-118-921-5820

03/25/03

Mouser Electronics

Authorized Distributor

Click to View Pricing, Inventory, Delivery & Lifecycle Information:

[Microchip:](#)

[TC115331EMTTR](#) [TC115501EMTTR](#) [TC115301EMTTR](#)