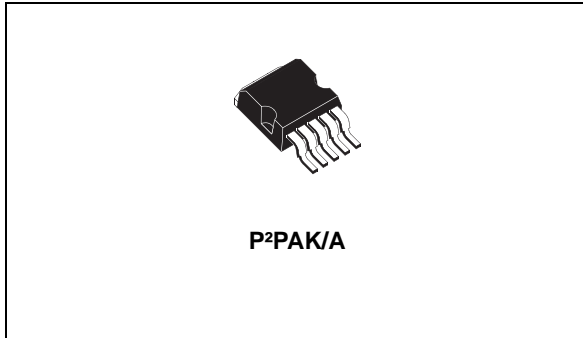


3 A, very low drop voltage regulators

Datasheet - production data

**Table 1. Device summary**

Order codes	Output voltages
LD29300P2M33R	3.3 V
LD29300P2MTR	ADJ

Features

- Very low dropout voltage (typ. 0.4 at 3 A)
- Guaranteed output current up to 3 A
- Fixed voltage with $\pm 1\%$ tolerance at 25 °C
- Internal current and thermal limit
- Logic controlled electronic shutdown available in P²PAK/A

Description

The LD29300 is a high current, high accuracy, low-dropout voltage regulator series. These regulators feature 400 mV dropout voltage and very low ground current. Designed for high current loads, these devices are also used in lower current, extremely low dropout-critical systems, where their tiny dropout voltage and ground current values are important attributes. Typical applications are in power supply switching post regulation, series power supply for monitors, series power supply for VCRs and TVs, computer systems and battery powered systems.

Contents

1	Diagram	3
2	Pin configuration	4
3	Typical application	5
4	Maximum ratings	6
5	Electrical characteristics	7
6	Typical characteristics	9
7	Package mechanical data	12
8	Packaging mechanical data	15
9	Revision history	17

1 Diagram

Figure 1. Schematic diagram for adjustable version

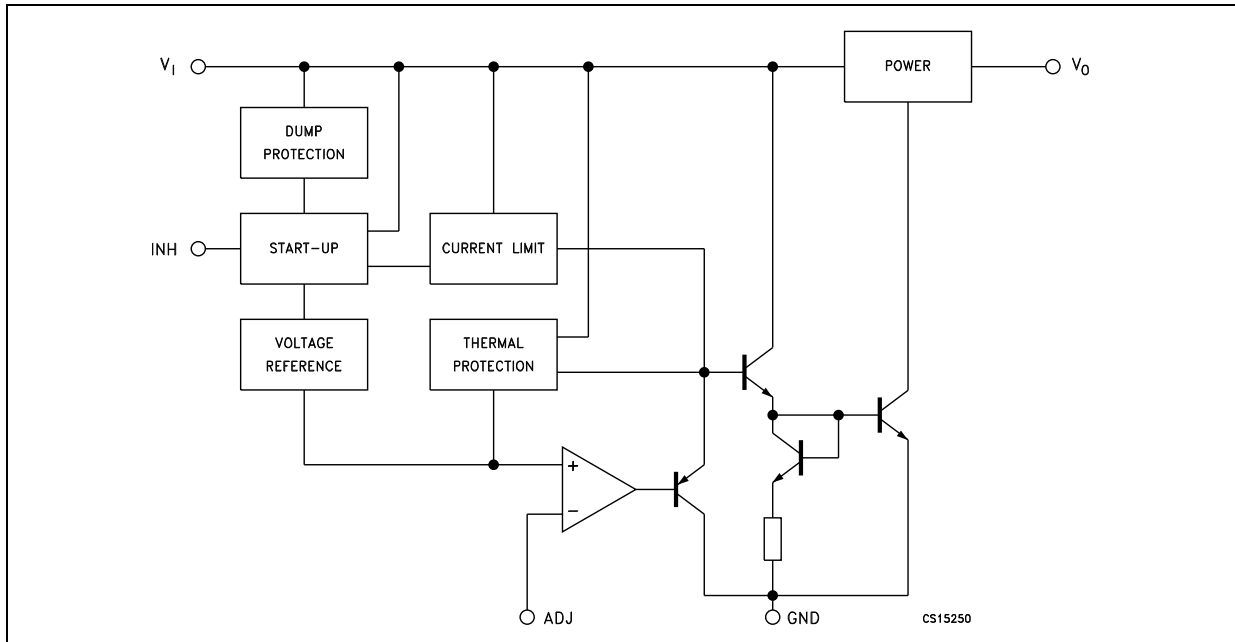
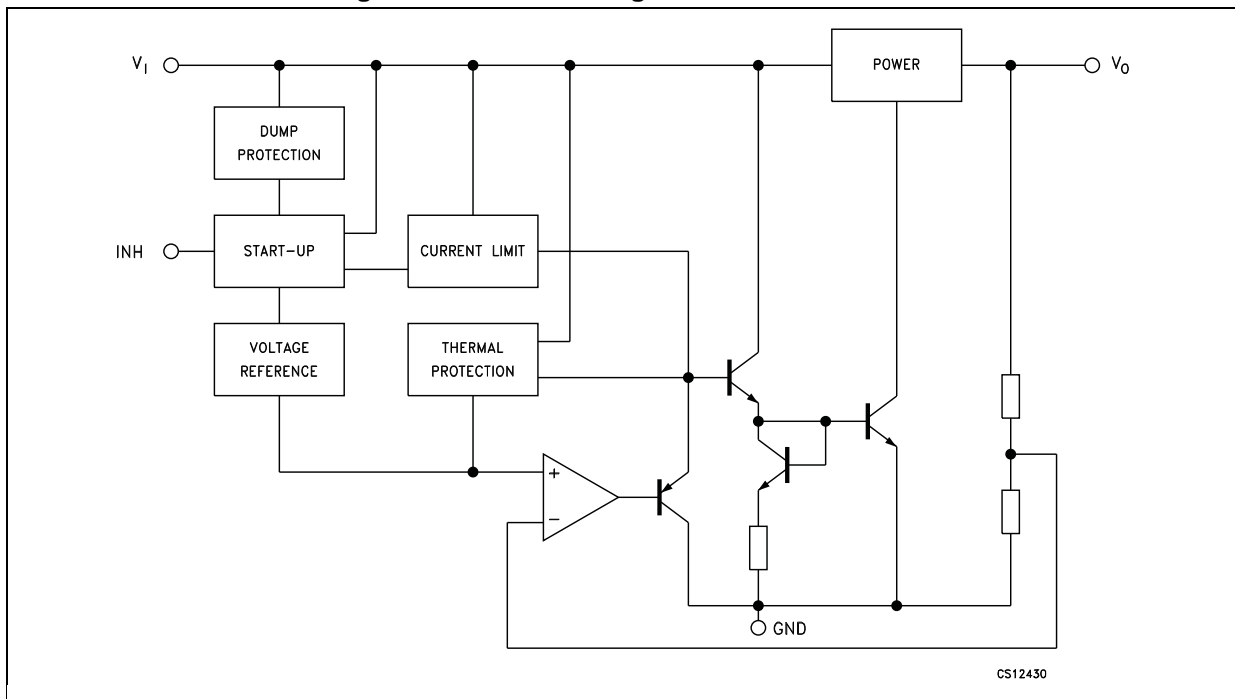
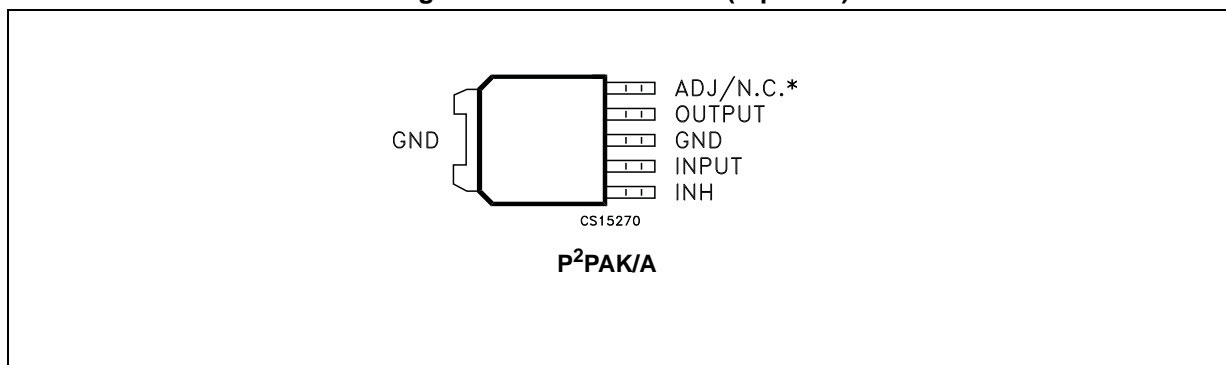


Figure 2. Schematic diagram for fixed version



2 Pin configuration

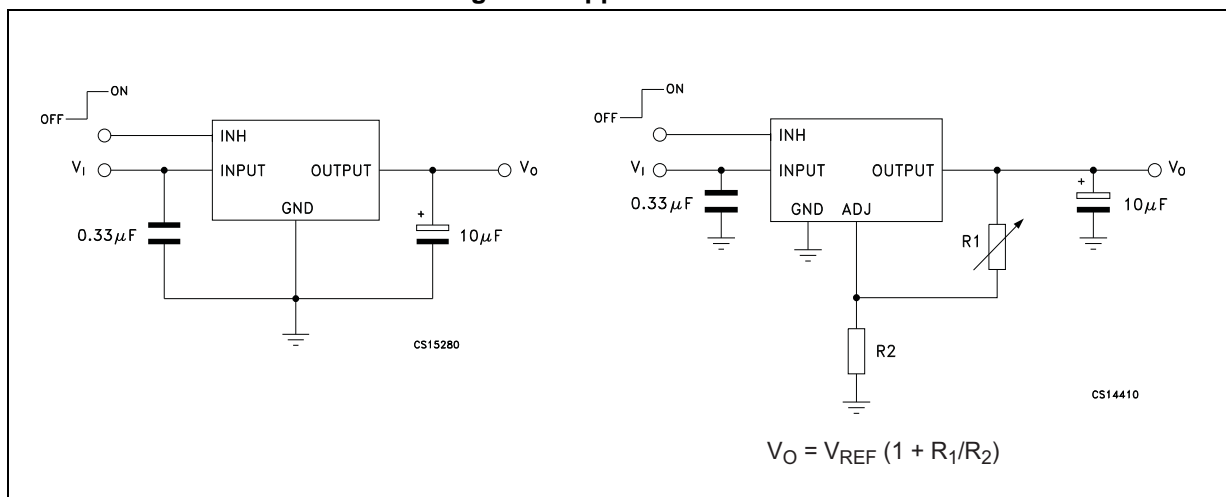
Figure 3. Pin connections (top view)



* Not connected for fixed version.

3 Typical application

Figure 4. Application circuit



4 Maximum ratings

Table 2. Absolute maximum ratings

Symbol	Parameter	Value	Unit
V_I	DC input voltage	30 ⁽¹⁾	V
I_O	Output current	Internally limited	mA
P_D	Power dissipation	Internally limited	mW
T_{STG}	Storage temperature range	- 55 to 150	°C
T_{OP}	Operating junction temperature range	- 40 to 125	°C

1. Above 14 V the device is automatically in shut-down.

Note: Absolute maximum ratings are those values beyond which damage to the device may occur. Functional operation under these conditions is not implied.

Table 3. Thermal data

Symbol	Parameter	P ² PAK/A	Unit
R_{thJA}	Thermal resistance junction-ambient	60	°C/W
R_{thJC}	Thermal resistance junction-case	3	°C/W

5 Electrical characteristics

$I_O = 10 \text{ mA}$, $T_J = 25 \text{ }^\circ\text{C}$, $V_I = 5.3 \text{ V}$, $V_{INH} = 2 \text{ V}$, $C_I = 330 \text{ nF}$, $C_O = 10 \text{ } \mu\text{F}$, unless otherwise specified.

Table 4. Electrical characteristics of LD29300#33

Symbol	Parameter	Test conditions	Min.	Typ.	Max.	Unit
V_O	Output voltage	$I_O = 10\text{mA to } 3\text{A}$, $V_I = 4.3 \text{ to } 8.8\text{V}$ $T_J = -40 \text{ to } 125^\circ\text{C}$	3.267	3.3	3.333	V
			3.234		3.366	
ΔV_O	Load regulation	$I_O = 10\text{mA to } 3\text{A}$		0.2	1.0	%
ΔV_O	Line regulation	$V_I = 4.3 \text{ to } 13\text{V}$		0.06	0.5	%
SVR	Supply voltage rejection	$f = 120 \text{ Hz}$, $V_I = 5.3 \pm 1\text{V}$, $I_O = 1.5\text{A}^{(1)}$	52	67		dB
V_{DROP}	Dropout voltage	$I_O = 500\text{mA}$, $T_J = -40 \text{ to } 125^\circ\text{C}^{(2)}$		0.1		V
		$I_O = 1.5\text{A}$, $T_J = -40 \text{ to } 125^\circ\text{C}^{(2)}$		0.2		
		$I_O = 3\text{A}$, $T_J = -40 \text{ to } 125^\circ\text{C}^{(2)}$		0.4	0.7	
I_q	Quiescent current	$I_O = 1.5\text{A}$, $T_J = -40 \text{ to } 125^\circ\text{C}$		20	50	mA
		$I_O = 3\text{A}$, $T_J = -40 \text{ to } 125^\circ\text{C}$		45	100	
		$V_I = 13\text{V}$, $V_{INH} = \text{GND}$, $T_J = -40 \text{ to } 125^\circ\text{C}$		130	180	μA
I_{sc}	Short circuit current	$V_I - V_O = 5.5\text{V}$		4.5		A
V_{IL}	Control input logic low	OFF MODE ⁽¹⁾ , $T_J = -40 \text{ to } 125^\circ\text{C}$			0.8	V
V_{IH}	Control input logic high	ON MODE ⁽¹⁾ , $T_J = -40 \text{ to } 125^\circ\text{C}$	2			V
I_{INH}	Control input current	$T_J = -40 \text{ to } 125^\circ\text{C}$, $V_{INH} = 13\text{V}$		5	10	μA
eN	Output noise voltage	$B_P = 10\text{Hz to } 100\text{kHz}$, $I_O = 100\text{mA}^{(1)}$		132		μV_{RMS}

1. Guaranteed by design.

2. Dropout voltage is defined as the input-to-output differential when the output voltage drops to 99% of its nominal value with $V_O + 1 \text{ V}$ applied to V_I .

$I_O = 10 \text{ mA}$, $T_J = 25 \text{ }^\circ\text{C}$, $V_I = 3.23 \text{ V}$, $V_{INH} = 2 \text{ V}$, $C_I = 330 \text{ nF}$, $C_O = 10 \text{ } \mu\text{F}$ adjust pin tied to output pin.

Table 5. Electrical characteristics of LD29300#ADJ

Symbol	Parameter	Test conditions	Min.	Typ.	Max.	Unit
V_I	Minimum operating input voltage	$I_O = 10\text{mA}$ to 3A , $T_J = -40$ to 125°C	2.5			V
ΔV_O	Load regulation	$I_O = 10\text{mA}$ to 3A		0.2	1.0	%
ΔV_O	Line regulation	$V_I = 2.5 \text{ V}$ to 13V		0.06	0.5	%
V_{REF}	Reference voltage	$I_O = 10\text{mA}$ to 3A , $V_I = 2.5$ to 4.5V $T_J = -40$ to 125°C ⁽¹⁾	-1%	1.23	+1%	V
			-2%		+2%	
SVR	Supply voltage rejection	$f = 120 \text{ Hz}$, $V_I = 3.23 \pm 1\text{V}$, $I_O = 1.5\text{A}$ ⁽²⁾	65	75		dB
I_q	Quiescent current	$I_O = 1.5\text{A}$, $T_J = -40$ to 125°C		20	50	mA
		$I_O = 3\text{A}$, $T_J = -40$ to 125°C		45	100	
		$V_I = 13\text{V}$, $V_{INH} = \text{GND}$, $T_J = -40$ to 125°C		130	180	μA
I_{ADJ}	Adjust pin current	$T_J = -40$ to 125°C			1	μA
I_{sc}	Short circuit current	$V_I - V_O = 5.5\text{V}$		4.5		A
V_{IL}	Control input logic low	OFF MODE ⁽¹⁾ , $T_J = -40$ to 125°C			0.8	V
V_{IH}	Control input logic high	ON MODE ⁽¹⁾ , $T_J = -40$ to 125°C	2			V
I_{INH}	Control input current	$T_J = -40$ to 125°C , $V_{INH} = 13\text{V}$		5	10	μA
eN	Output noise voltage	$B_P = 10\text{Hz}$ to 100kHz , $I_O = 100\text{mA}$ ⁽²⁾		50		μV_{RMS}

1. Reference voltage is measured between output and GND pin, with ADJ PIN tied to V_{OUT} .

2. Guaranteed by design.

6 Typical characteristics

Figure 5. Output voltage vs. temperature

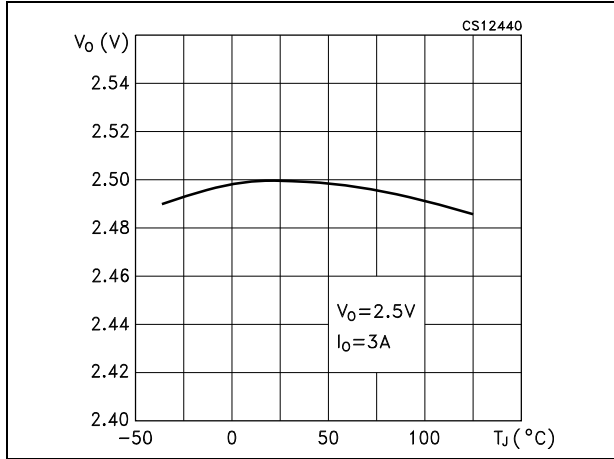


Figure 6. Dropout voltage vs. temperature

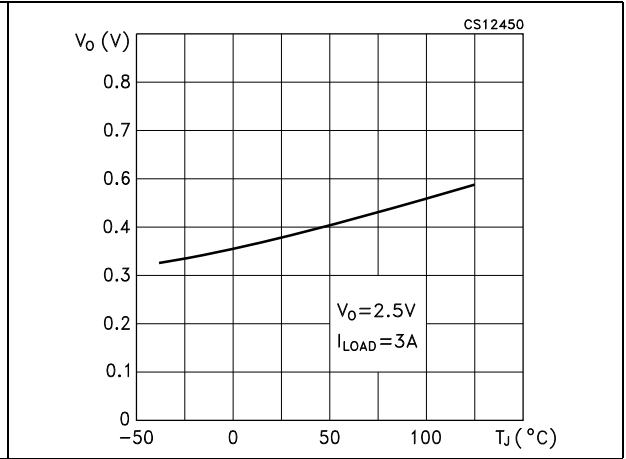


Figure 7. Dropout voltage vs. output current

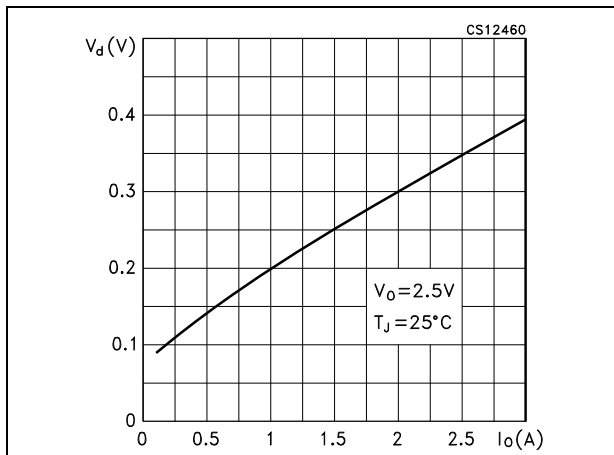


Figure 8. Quiescent current vs. output current ($V_I = 13V$)

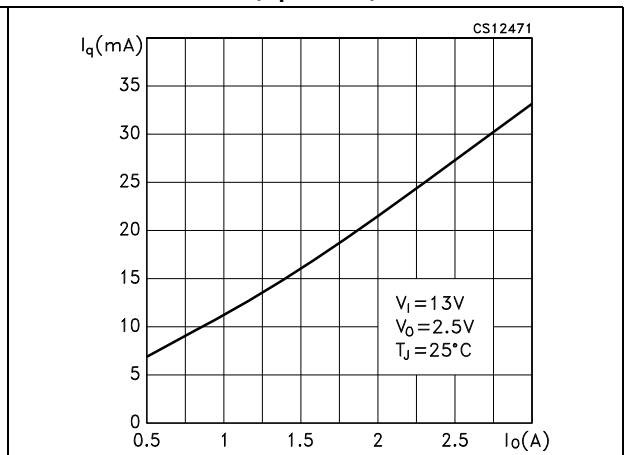


Figure 9. Quiescent current vs. output current ($V_I = 4.5\text{ V}$)

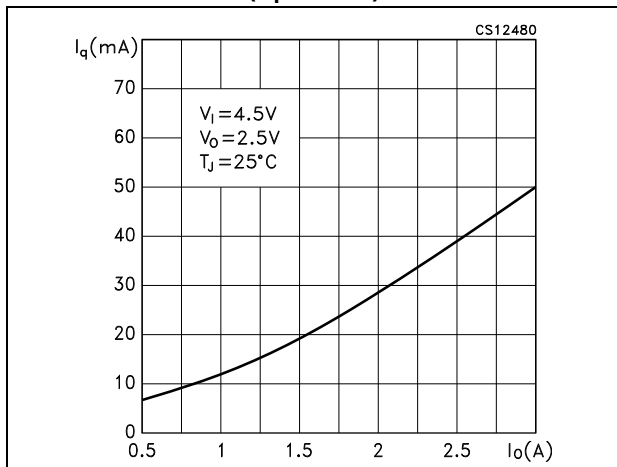


Figure 10. Quiescent current vs. supply voltage

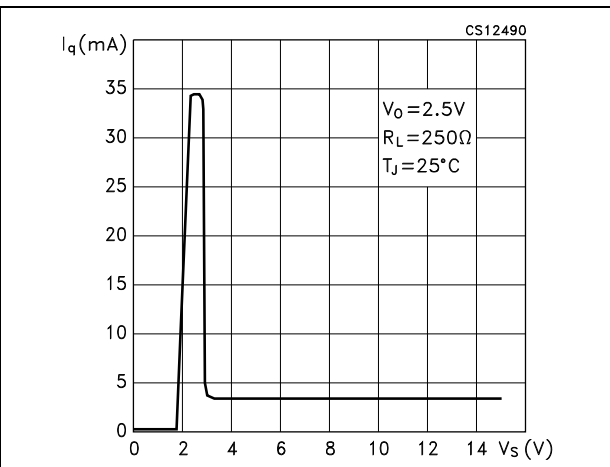


Figure 11. Quiescent current vs. temperature ($I_O = 100\text{ mA}$)

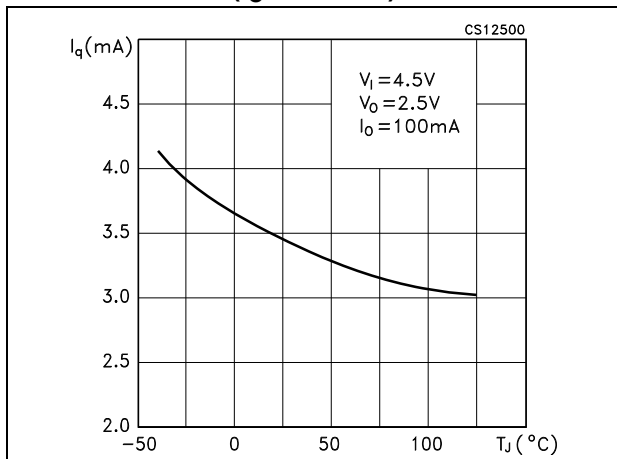


Figure 12. Quiescent current vs. temperature ($I_O = 3\text{ A}$)

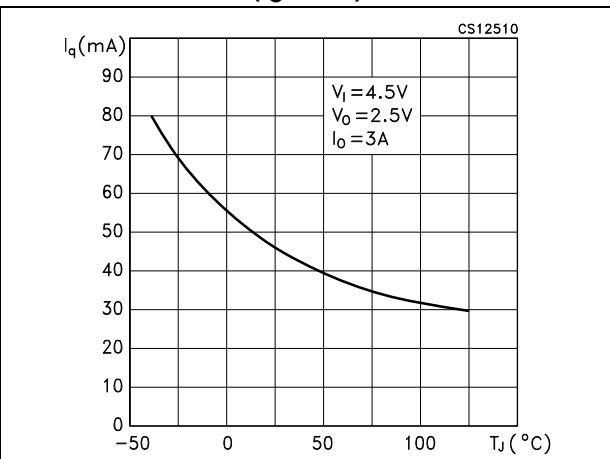


Figure 13. Short circuit current vs. temperature

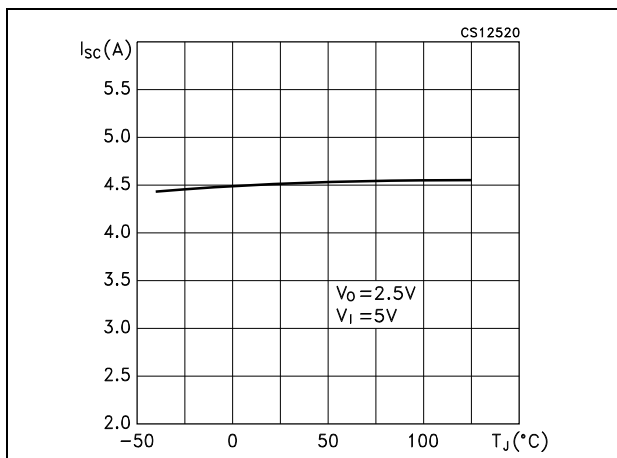


Figure 14. Supply voltage rejection vs. temperature

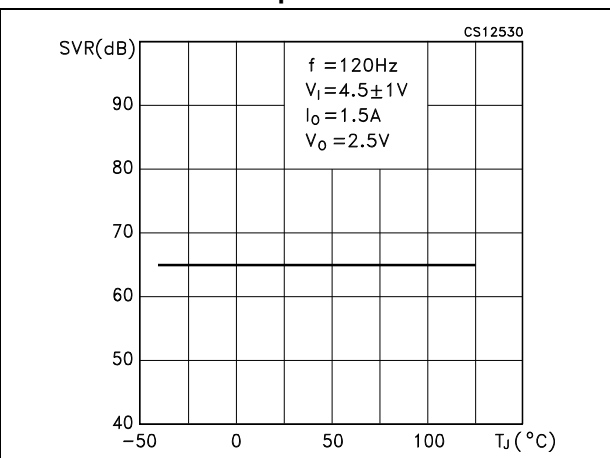


Figure 15. Stability vs. C_O

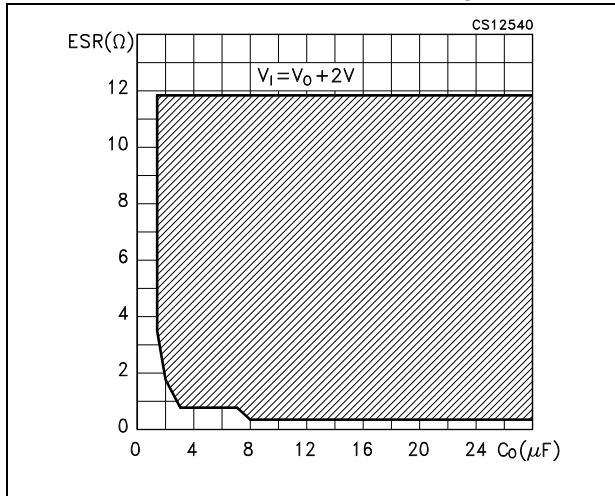


Figure 16. Line transient

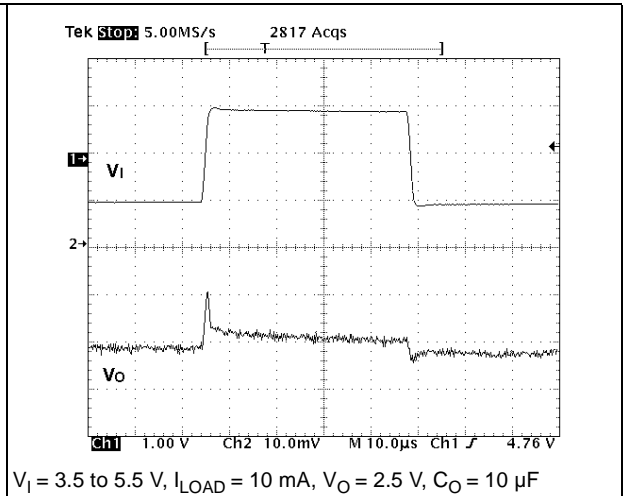
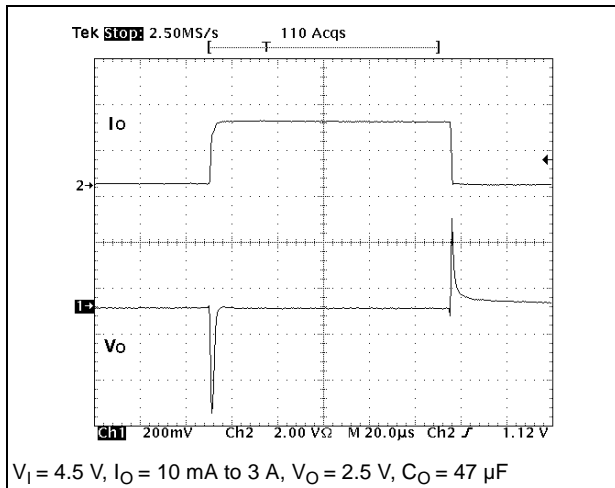


Figure 17. Load transient



7 Package mechanical data

In order to meet environmental requirements, ST offers these devices in different grades of ECOPACK[®] packages, depending on their level of environmental compliance. ECOPACK[®] specifications, grade definitions and product status are available at: www.st.com. ECOPACK[®] is an ST trademark.

Table 6. P²PAK mechanical data

Dim.	mm		
	Min.	Typ.	Max.
A	4.30		4.80
A2	0.03		0.23
C	1.17		1.37
D	2.40		2.80
D1	8.95		9.35
E	0.45		0.60
F	0.80		1.05
G	3.20		3.60
G1	6.60		7.00
H1		8.5	
H2	10.00		10.40
L	15		15.85
L1		8	
L2	1.27		1.40
M	2.4		3.2
R		0.40	
V2	0°		8°

Figure 18. P²PAK drawings

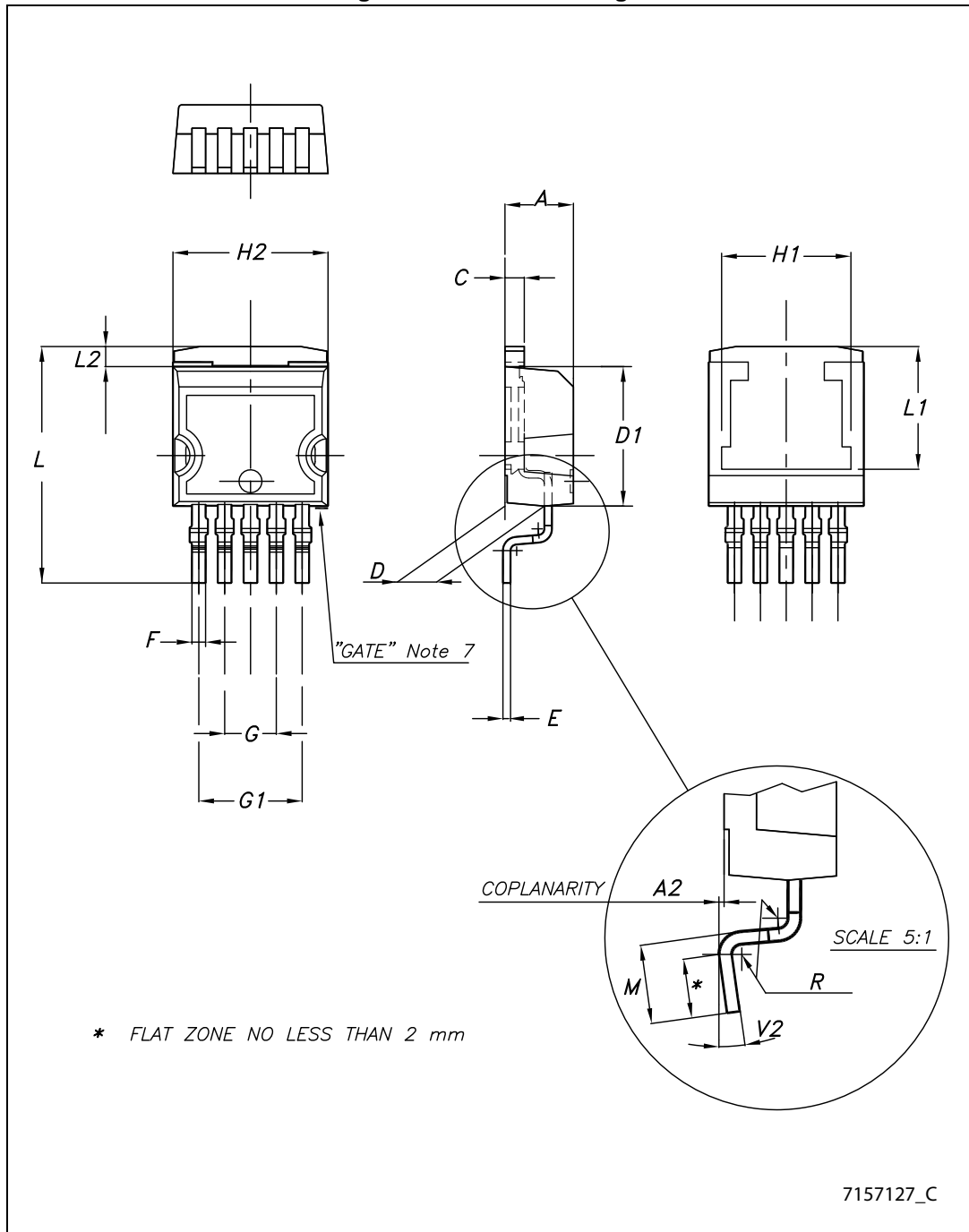
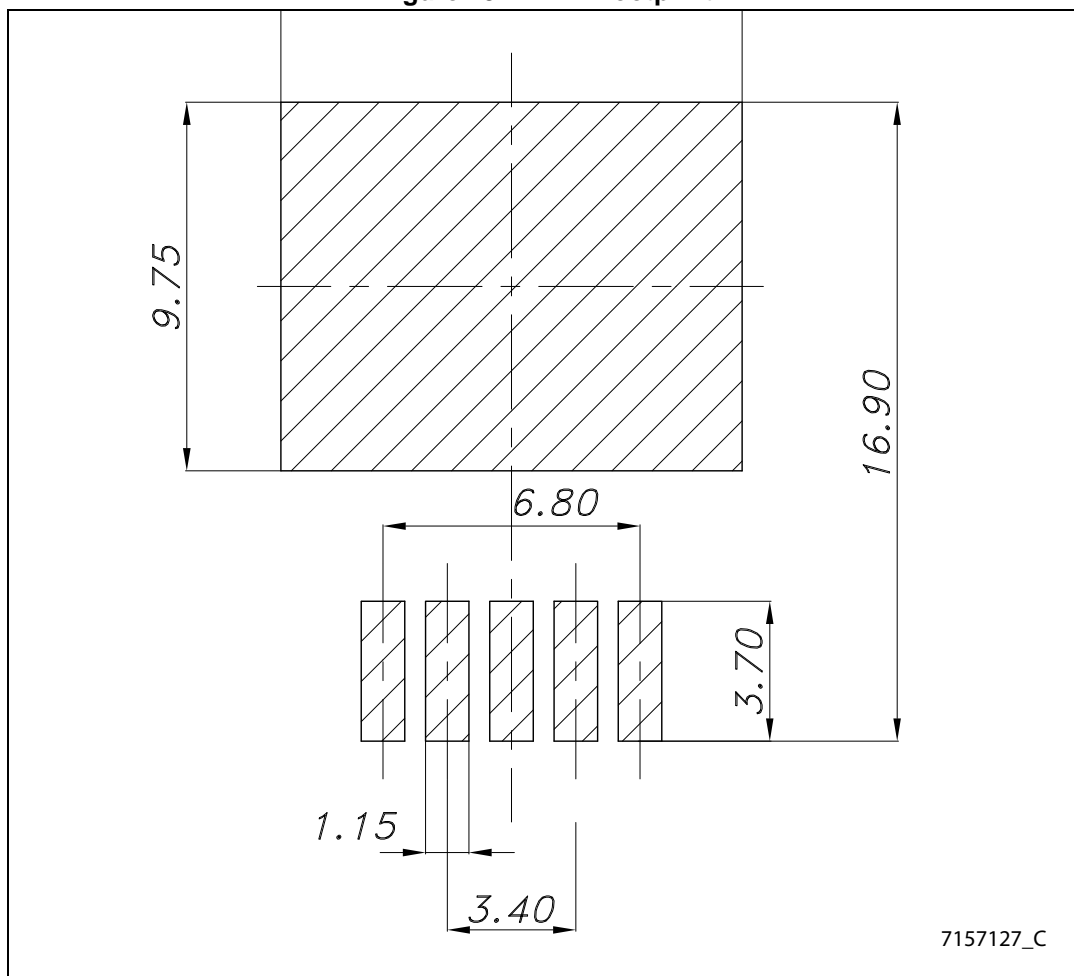


Figure 19. P²PAK footprint



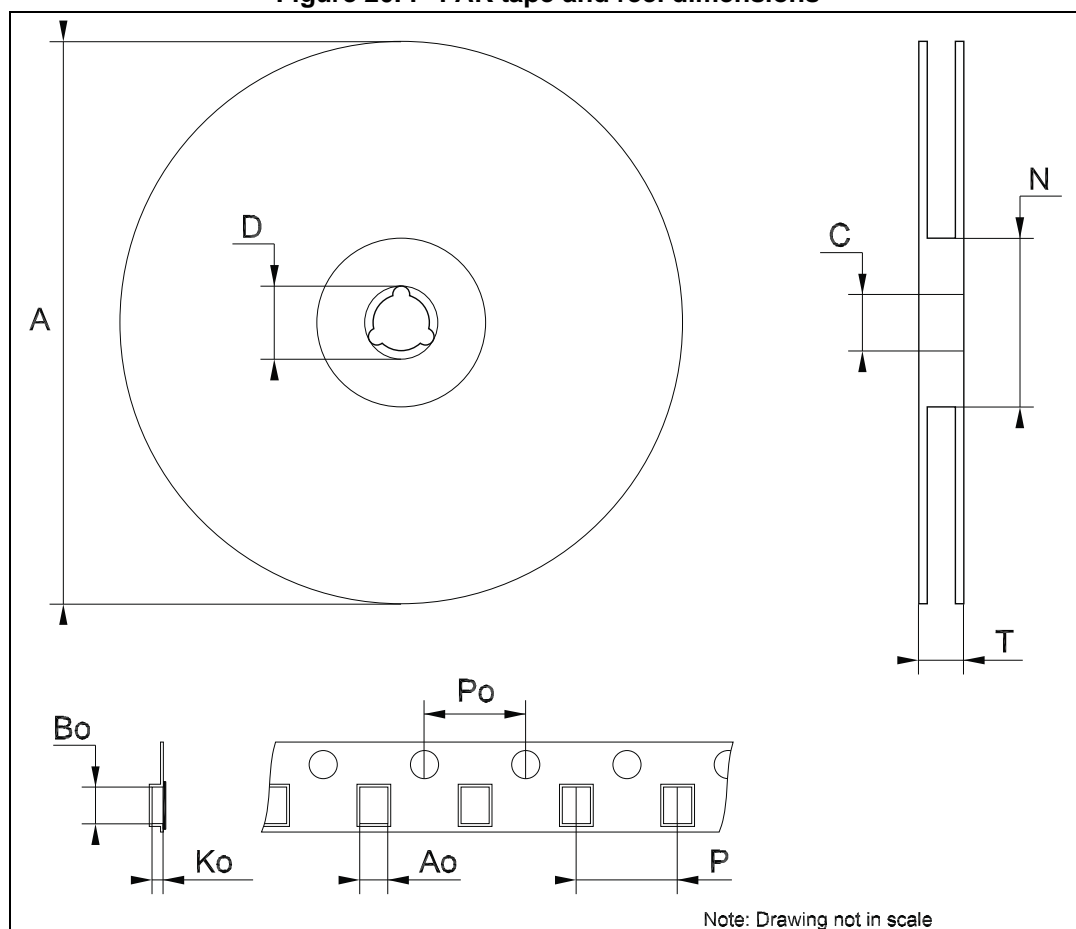
7157127_C

8 Packaging mechanical data

Table 7. P²PAK tape and reel mechanical data

Dim.	mm		
	Min.	Typ.	Max.
A			180
C	12.8	13	13.2
D	20.2		
N	60		
T			14.4
Ao	10.50	10.6	10.70
Bo	15.70	15.80	15.90
Ko	4.80	4.90	5.00
Po	3.9	4.0	4.1
P	11.9	12.0	12.1

Figure 20. P²PAK tape and reel dimensions



9 Revision history

Table 8. Document revision history

Date	Revision	Changes
21-Oct-2005	7	Order codes updated.
10-Apr-2007	8	Order codes updated.
11-May-2007	9	Order codes updated.
08-Jun-2007	10	Order codes updated.
03-Apr-2008	11	Modified: Table 1 on page 1 .
11-Jul-2008	12	Modified: Table 1 on page 1 .
13-Sep-2012	13	Updated: Table 1 on page 1 .
18-Nov-2013	14	Part numbers LD29300XX, LD29300XX18 and LD29300XX33 have been changed to LD29300. Updated the Description in cover page and Table 1: Device summary . Updated Table 3: Thermal data , Section 5: Electrical characteristics and Section 7: Package mechanical data . Added Section 8: Packaging mechanical data . Minor text changes.

Please Read Carefully:

Information in this document is provided solely in connection with ST products. STMicroelectronics NV and its subsidiaries ("ST") reserve the right to make changes, corrections, modifications or improvements, to this document, and the products and services described herein at any time, without notice.

All ST products are sold pursuant to ST's terms and conditions of sale.

Purchasers are solely responsible for the choice, selection and use of the ST products and services described herein, and ST assumes no liability whatsoever relating to the choice, selection or use of the ST products and services described herein.

No license, express or implied, by estoppel or otherwise, to any intellectual property rights is granted under this document. If any part of this document refers to any third party products or services it shall not be deemed a license grant by ST for the use of such third party products or services, or any intellectual property contained therein or considered as a warranty covering the use in any manner whatsoever of such third party products or services or any intellectual property contained therein.

UNLESS OTHERWISE SET FORTH IN ST'S TERMS AND CONDITIONS OF SALE ST DISCLAIMS ANY EXPRESS OR IMPLIED WARRANTY WITH RESPECT TO THE USE AND/OR SALE OF ST PRODUCTS INCLUDING WITHOUT LIMITATION IMPLIED WARRANTIES OF MERCHANTABILITY, FITNESS FOR A PARTICULAR PURPOSE (AND THEIR EQUIVALENTS UNDER THE LAWS OF ANY JURISDICTION), OR INFRINGEMENT OF ANY PATENT, COPYRIGHT OR OTHER INTELLECTUAL PROPERTY RIGHT.

ST PRODUCTS ARE NOT DESIGNED OR AUTHORIZED FOR USE IN: (A) SAFETY CRITICAL APPLICATIONS SUCH AS LIFE SUPPORTING, ACTIVE IMPLANTED DEVICES OR SYSTEMS WITH PRODUCT FUNCTIONAL SAFETY REQUIREMENTS; (B) AERONAUTIC APPLICATIONS; (C) AUTOMOTIVE APPLICATIONS OR ENVIRONMENTS, AND/OR (D) AEROSPACE APPLICATIONS OR ENVIRONMENTS. WHERE ST PRODUCTS ARE NOT DESIGNED FOR SUCH USE, THE PURCHASER SHALL USE PRODUCTS AT PURCHASER'S SOLE RISK, EVEN IF ST HAS BEEN INFORMED IN WRITING OF SUCH USAGE, UNLESS A PRODUCT IS EXPRESSLY DESIGNATED BY ST AS BEING INTENDED FOR "AUTOMOTIVE, AUTOMOTIVE SAFETY OR MEDICAL" INDUSTRY DOMAINS ACCORDING TO ST PRODUCT DESIGN SPECIFICATIONS. PRODUCTS FORMALLY ESCC, QML OR JAN QUALIFIED ARE DEEMED SUITABLE FOR USE IN AEROSPACE BY THE CORRESPONDING GOVERNMENTAL AGENCY.

Resale of ST products with provisions different from the statements and/or technical features set forth in this document shall immediately void any warranty granted by ST for the ST product or service described herein and shall not create or extend in any manner whatsoever, any liability of ST.

ST and the ST logo are trademarks or registered trademarks of ST in various countries.

Information in this document supersedes and replaces all information previously supplied.

The ST logo is a registered trademark of STMicroelectronics. All other names are the property of their respective owners.

© 2013 STMicroelectronics - All rights reserved

STMicroelectronics group of companies

Australia - Belgium - Brazil - Canada - China - Czech Republic - Finland - France - Germany - Hong Kong - India - Israel - Italy - Japan - Malaysia - Malta - Morocco - Philippines - Singapore - Spain - Sweden - Switzerland - United Kingdom - United States of America

www.st.com

Mouser Electronics

Authorized Distributor

Click to View Pricing, Inventory, Delivery & Lifecycle Information:

[STMicroelectronics:](#)

[LD29300P2M33R](#) [LD29300P2MTR](#)