



General Description

BP3339 is a high PF PSR constant current LED driver with high current accuracy. It is suitable for 90Vac-277Vac universal input.

BP3339 realizes high PF by constant on time control. With internal THD optimizer, the THD of input current can be lower than 15% under universal input. BP3339 works in BCM mode, which can help to improve switching loss and EMI performance.

With internal HV start up and fast start up control, BP3339 can build up output current within 500ms.

With internal line and load compensation, BP3339 can achieve excellent line and load regulation.

BP3339 can work as floating buck-boost with single-winding inductor or isolated Flyback topology with two or three windings transformer.

BP3339 adopts SOP-8 package.

Feature

- 90-277Vac universal input
- High PF low THD (PF>0.9, THD<15%)
- Two windings for isolated application
- Build in HV start up, start up time <500mS
- High precious current reference(+/-3%)
- Good line and load regulation
- Critical conduction mode
- Low operation current
- VCC UVLO
- Cycle by cycle current limitation
- COMP pin open protection
- Output open/short protection
- Thermal fold back
- SOP-8 package

Application

- External LED driver
- Non-isolated driver for tube or down light

Typical Application

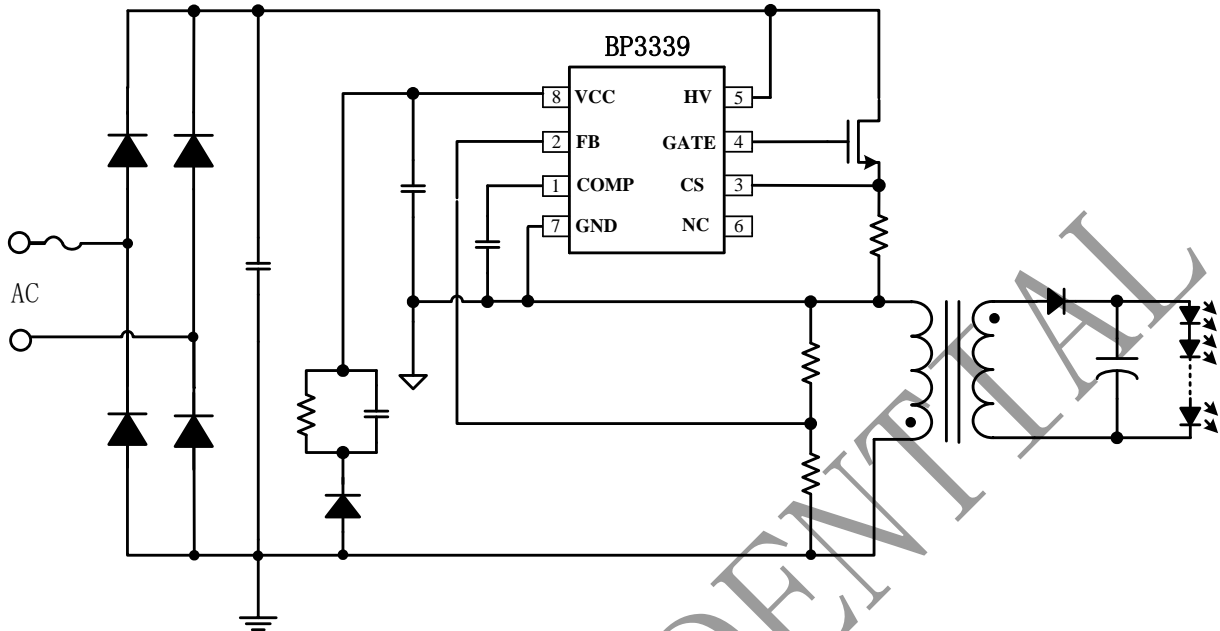


Fig 1 Floating isolated application with two-winding transformer

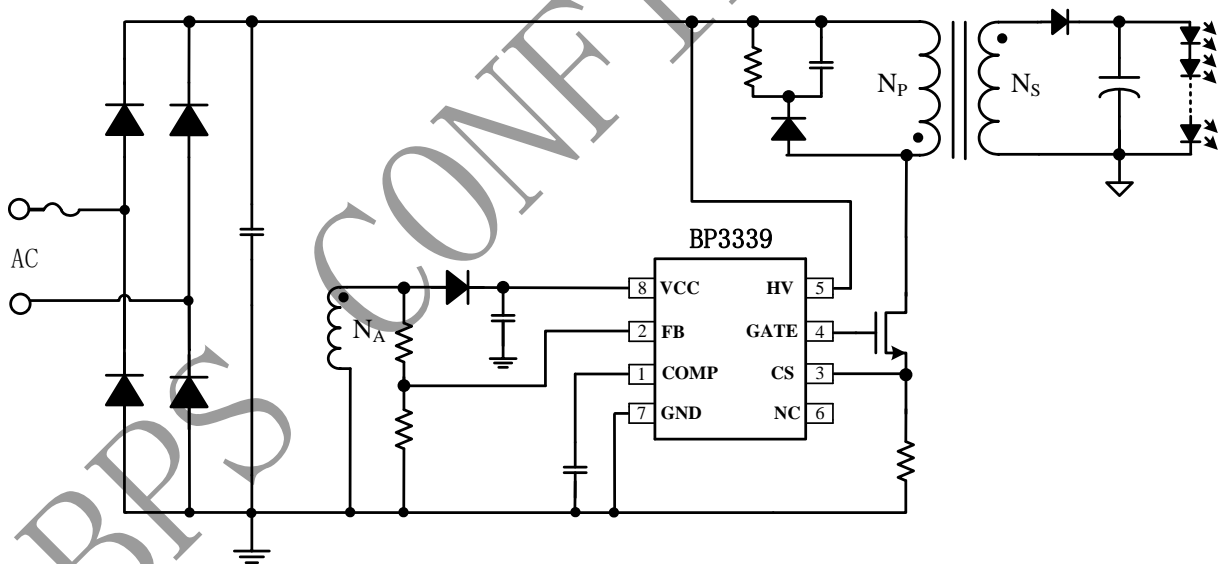


Fig 2 Grounded isolated application with Three-winding transformer

Disclaimer

The information provided in this datasheet is believed to be accurate and reliable. However, Bright Power Semiconductor (BPS) reserves the right to make changes at any time without prior notice.

No license, to any intellectual property right owned by BPS or any other third party, is granted under this document. BPS provides information in this datasheet “AS IS” and with all faults, and makes no warranty, express or implied, including but not limited to, the accuracy of the information provided in this datasheet, merchantability, fitness of a specific purpose, or non-infringement of intellectual property rights of BPS or any other third party. BPS disclaims any and all liabilities arising out of this datasheet or use of this datasheet, including without limitation consequential or incidental damages.

BPS Confidential