

## 9A High-Speed Power MOSFET Drivers

### Features

- High Peak Output Current: 9A
- High Continuous Output Current: 2A
- Wide Supply Voltage Operating Range: 4.5V to 25V
- High Capacitive Load Drive Capability 10nF in 35ns (typical)
- Short Delay Times: 58ns (typical)
- Matched Rise/Fall Times
- Low Output Impedance: 0.5Ω (typical)
- Low Supply Current
- Over-temperature Protection
- Under-voltage Lockout (UVLO)
- Non-overlapped Drive Tech
- Input withstands negative inputs up to 5V
- Available in Green SOP8, DIP8 and DFN8 Packages

### Applications

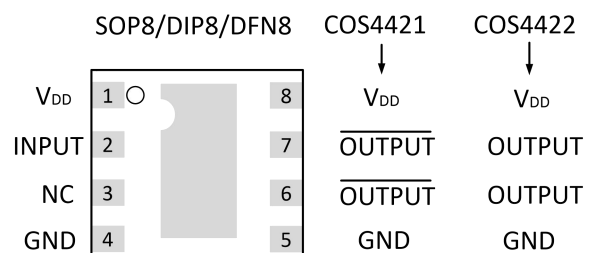
- Driving the large MOSFET, SiC and IGBT
- Line Drivers for Heavily Loaded Lines
- Local Power ON/OFF Switch
- Motor and Solenoid Driver
- Switch Mode Power Supplies

Rev1.0  
 Copyright©2020 Cosine Nanoelectronics Inc. All rights reserved  
 The information provided here is believed to be accurate and reliable. Cosine Nanoelectronics assumes no reliability for inaccuracies and omissions. Specifications described and contained here are subjected to change without notice on the purpose of improving the design and performance. All of this information described herein should not be implied or granted for any third party.

### General Description

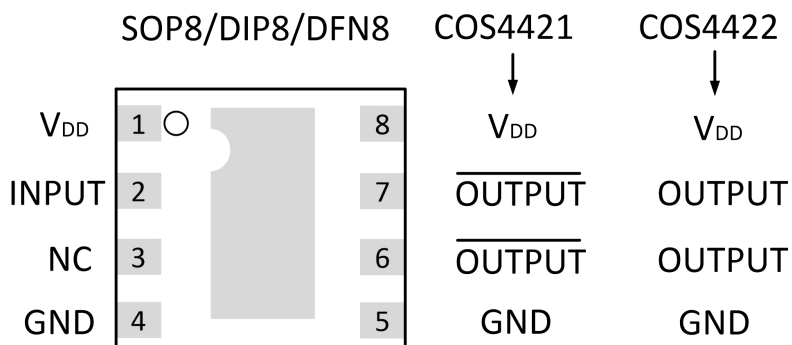
The COS4421/4422 are single channel, high-current low-side gate drivers capable of driving large MOSFET, SiC, GaN and IGBTs. Unique circuit design enables high speed operation capable of delivering peak currents of 9A into 10,000pF capacitive loads. Improved speed and drive capability are enhanced by matched rise and fall delay times. Dynamic switching losses are minimized with non-overlapped drive techniques. These devices are highly latch-up resistant within their power and voltage ratings. They are not subject to damage when up to 5V of noise spiking (of either polarity) occurs on the ground pin.

The COS4421/4422 inputs can be driven directly from either TTL or CMOS (1.6V to 25V). In addition, the 300 mV of built-in hysteresis provides noise immunity and allows the device to be driven from slow rising or falling waveforms. Output is held LOW if Input is unbiased or floating.



Pin Diagram

### 1. Pin Configuration and Functions



COS4421: Output out of phase with input

COS4422: Output in phase with input

Figure 1. Pin Diagram

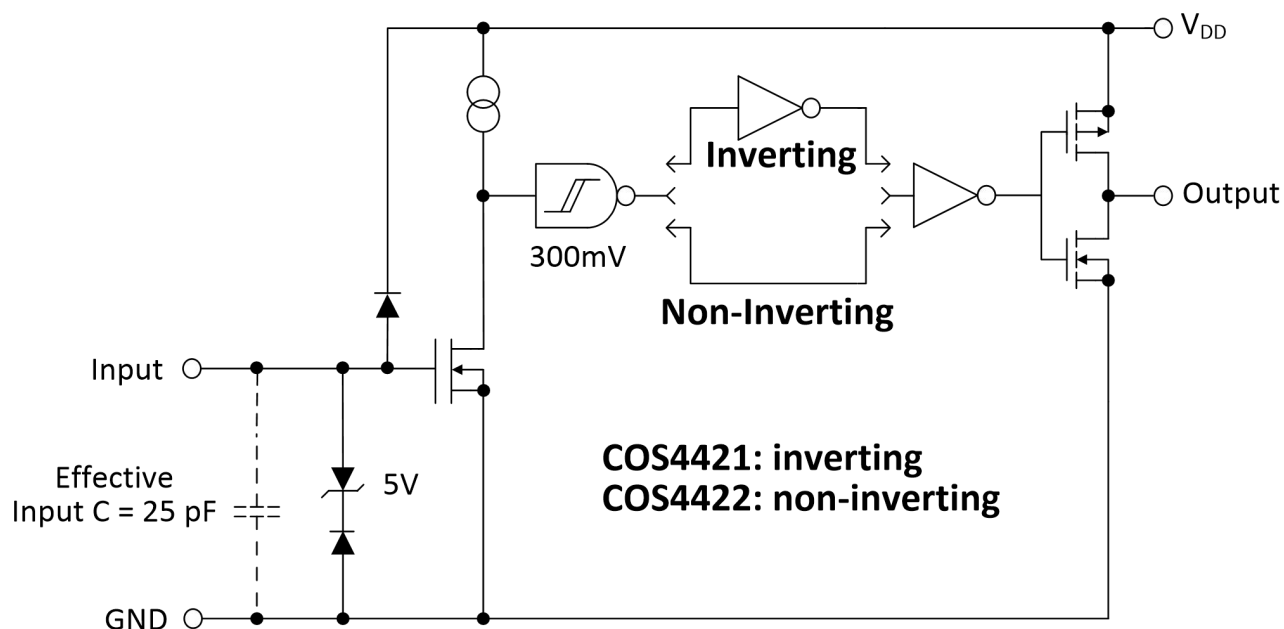


Figure 2. Functional Block Diagram

### Pin Description

Pin	Name	Description
1	VDD	Power Supply
2	INPUT	Control input, TTL/CMOS compatible input
3	NC	No Connection
4	GND	Ground
5	GND	Ground
6	OUTPUT	CMOS push-pull output
7	OUTPUT	CMOS push-pull output
8	VDD	Power Supply
-	PAD	Exposed Metal Pad, electrically isolated

Note: Duplicate pins must both be connected for proper operation.

#### 1.1 Input

MOSFET driver input is a high-impedance, TTL/CMOS compatible input. It also has 300 mV of hysteresis between the high and low thresholds that prevents output glitching even when the rise and fall time of the input signal is very slow.

#### 1.2 Ground (GND)

Ground is the device return pin. The Ground pin(s) should have a low-impedance connection to the bias supply source return. High peak current flows out the Ground pin(s) when the capacitive load is being discharged.

#### 1.3 Output

MOSFET driver outputs are low-impedance, CMOS push-pull style outputs. The pull-down and pullup devices are of equal strength, making the rise and fall times equivalent. The Output is held LOW if Input is unbiased or floating.

#### 1.4 Supply Input (VDD)

The VDD input is the bias supply for the MOSFET driver and is rated for 4.5V to 25V with respect to the Ground pin. The VDD input should be bypassed with local ceramic capacitors. The value of these capacitors should be chosen based on the capacitive load that is being driven. A value of 1.0  $\mu$ F is suggested.

#### 1.5 Exposed Metal Pad

The exposed metal pad of the DFN-S package is not internally connected to any potential. Therefore, this pad can be connected to a ground plane or other copper plane on a Printed Circuit Board (PCB), to aid in heat removal from the package.

## 2. Ordering Information

Model	Order Number	Package	Package Option	Marking Information
COS4421	COS4421SR	SOP-8	Tape and Reel, 3000	COS4421SR
	COS4421FR	DFN-8	Tape and Reel, 3000	COS4421FR
	COS4421DR	DIP-8	Tube 50	COS4421DR
COS4422	COS4422SR	SOP-8	Tape and Reel, 3000	COS4422SR
	COS4422FR	DFN-8	Tape and Reel, 3000	COS4422FR
	COS4422DR	DIP-8	Tube 50	COS4422DR

## 3. Product Specification

### 3.1 Absolute Maximum Ratings <sup>(1)</sup>

Parameter	Min	Max	Unit
DC supply voltage Vs		28	V
Operating junction temperature	-40	+125	°C
Storage temperature	-55	+150	°C
Maximum input voltage	GND-5	VDD+0.3	V

(1) Stresses exceeding the absolute maximum ratings may damage the device. The device may not function or be operable above the recommended operating conditions and stressing the parts to these levels is not recommended. In addition, extended exposure to stresses above the recommended operating conditions may affect device reliability. The absolute maximum ratings are stress ratings only.

### 3.2 Thermal Data

Parameter	Rating	Unit
Package Thermal Resistance	155(SOP8) 125(DIP8) 118(FDN8,2x2)	°C/W

### 3.3 Recommended Operating Conditions

Parameter	Rating	Unit
DC Supply Voltage	4.5V ~ 25V	V
Operating ambient temperature	-40 to +125	°C

### 3.4 Electrical Characteristics

(Typical values are tested at  $T_A=25\text{ }^\circ\text{C}$ ,  $V_{DD}=18\text{V}$ )

Parameter	Symbol	Conditions	Min.	Typ.	Max.	Unit
<b>INPUT</b>						
Input Signal High Threshold	$V_{IH}$		1.6			V
Input Signal Low Threshold	$V_{IL}$				0.7	V
Input Signal Hysteresis	$V_{HYS}$			0.3		V
Input Signal High Current	$I_{IH}$	Inverting Input Current, $V_{INX}=18\text{V}$			0.01	$\mu\text{A}$
		Non-inverting Input Current, $V_{INX}=18\text{V}$		88	125	
Input Signal High Current	$I_{IL}$	Inverting Input Current, $V_{INX}=0\text{V}$		88	125	$\mu\text{A}$
		Non-inverting Input Current, $V_{INX}=0\text{V}$			0.01	
<b>OUTPUT</b>						
High Output Voltage $V_{OH}$	$V_{OH}$	DC Test	$V_{DD} - 0.025$			V
Low Output Voltage	$V_{OL}$	DC Test			0.025	V
Pull-Up Resistance	$R_{OH}$	Source Current = 10mA		0.83		$\Omega$
Pull-Down Resistance	$R_{OL}$	Sink Current = -10mA		0.5		$\Omega$
Peak Output Current	$I_{PK}$	$10\text{V} \leq V_{DD} \leq 18\text{V}$		9.0		A
<b>POWER SUPPLY</b>						
Power Supply Current	$I_{CC}$	$V_{IN}=3\text{V}$		0.85		mA
		$V_{IN}=0\text{V}$		0.65		
Operating Voltage Range	$V_{DD}$		4.5		25	V
Under-Voltage Lockout ON Threshold				3.7	4.1	V
Under-Voltage Lockout Hysteresis				0.5		V
<b>SWITCHING CHARACTERISTICS</b>						
Rise Time	$t_R$	$C_L = 10,000\text{ pF}$ , See Figure 3		35		ns
Fall Time	$t_F$	$C_L = 10,000\text{ pF}$ , See Figure 3		36		ns

Turn-On Delay Time	$t_{D1}$	COS4421, $C_L = 10,000 \text{ pF}$	58	ns
		COS4422, $C_L = 10,000 \text{ pF}$	60	ns
Turn-Off Delay Time	$t_{D2}$	COS4421, $C_L = 10,000 \text{ pF}$	59	ns
		COS4422, $C_L = 10,000 \text{ pF}$	63	ns
<b>OVER-TEMPERATURE PROTECTION</b>				
Thermal Shutdown Threshold			150	$^{\circ}\text{C}$
Thermal Shutdown Threshold Hysteresis			25	$^{\circ}\text{C}$

## 4.0 Application Information

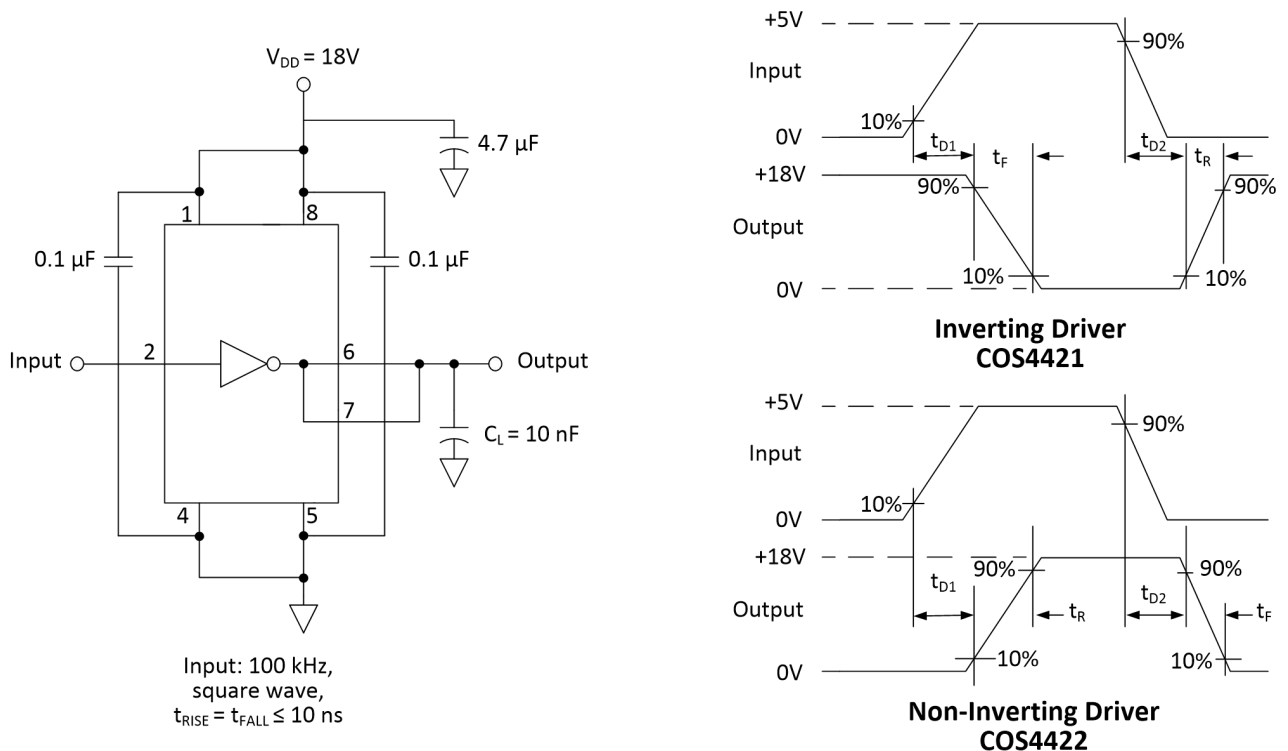
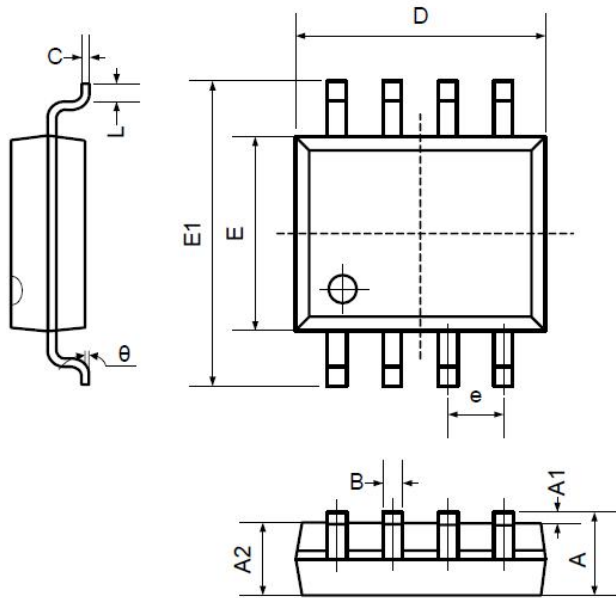


Figure 3. Switching Time Test Circuit

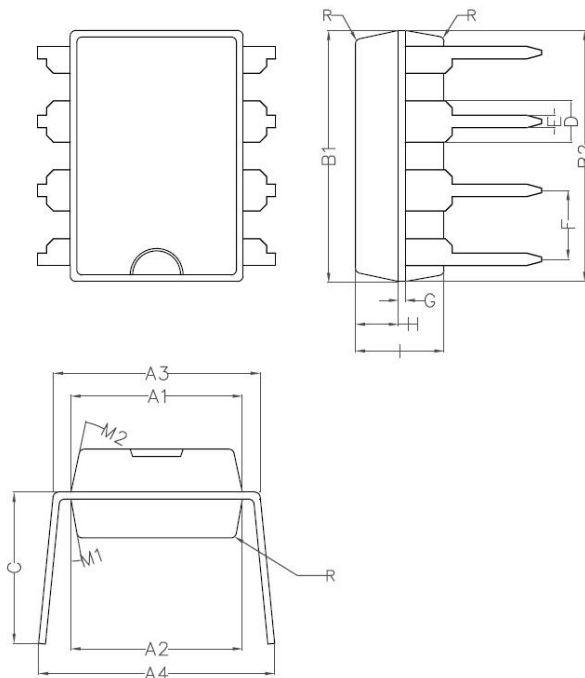
## 5. Package Information

### 5.1 SOP8 (Package Outline Dimensions)



Symbol	Dimensions In Millimeters		Dimensions In Inches	
	Min	Max	Min	Max
A	1.350	1.750	0.053	0.069
A1	0.100	0.250	0.004	0.010
A2	1.350	1.550	0.053	0.061
B	0.330	0.510	0.013	0.020
C	0.190	0.250	0.007	0.010
D	4.780	5.000	0.188	0.197
E	3.800	4.000	0.150	0.157
E1	5.800	6.300	0.228	0.248
e	1.270TYP		0.050TYP	
L	0.400	1.270	0.016	0.050
θ	0°	8°	0°	8°

### 5.2 DIP8 (Package Outline Dimensions)



Symbol	Min	Non	Max
A1	6.28	6.33	6.38
A2	6.33	6.38	6.43
A3	7.52	7.62	7.72
A4	7.80	8.40	9.00
B1	9.15	9.20	9.25
B2	9.20	9.25	9.30
C		5.57	
D		1.52	
E	0.43	0.45	0.47
F		2.54	
G		0.25	
H	1.54	1.59	1.64
I	3.22	3.27	3.32
R		0.20	
M1	9°	10°	11°
M2	11°	12°	13°