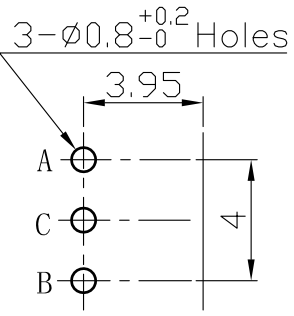
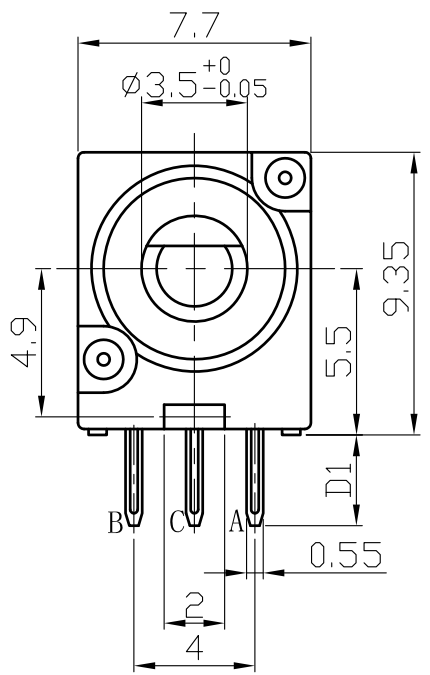
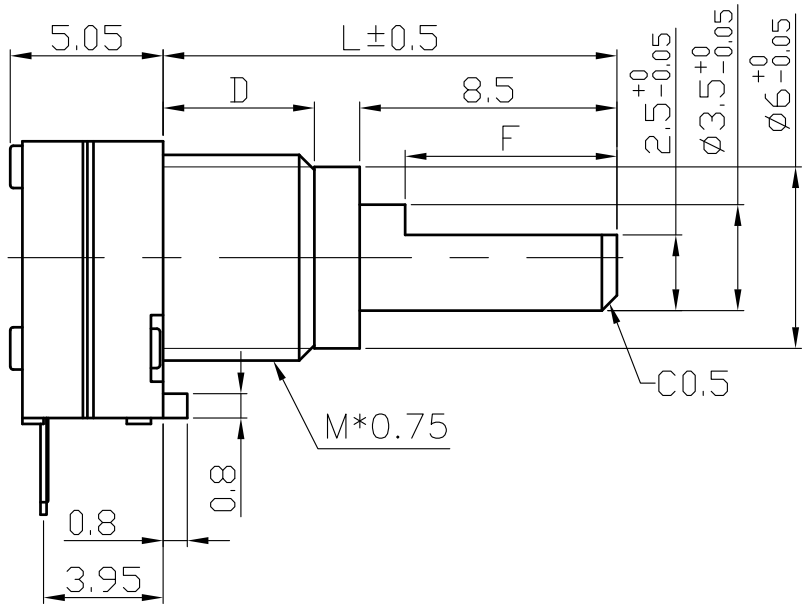


MODEL RE08110 **X** X- **V**

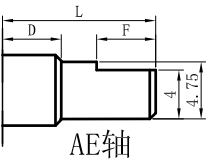
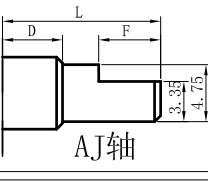
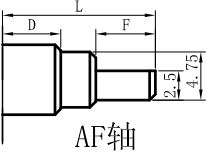
BASIC DIMENSIONS	L ≤ 10	10 < L	100 ≤ L	ANGLE	UNIT
TOL.	±0.3	±0.5	±0.8	±5°	mm



<b>X</b>	A	D
	D	5
	M	M6
<b>V</b>	V01	V01
	V02	V02
	V03	

<b>V</b>	V01	V02	V03
D1	3	2	1

P.C.B MOUNTING DETAIL

轴型规格		D=5										
 AE轴	L	10.5	12	15	15	18	18	19	20	21	25	
	F	3.5	5	5.5	7	6	9	5.4	12	5.5	12	
 AJ轴	D=5											
	L	15										
	F	7										
 AF轴	D=5											
	L	15	18									
	F	7	6									