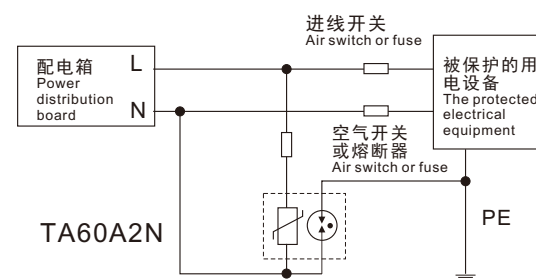
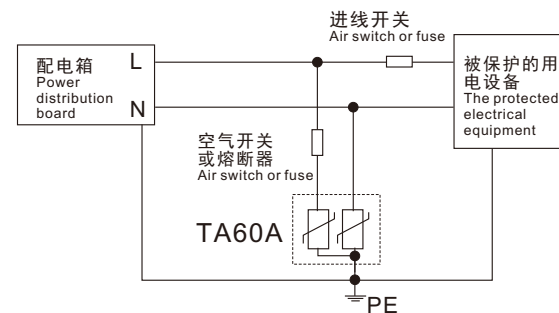


大通流电源系统电涌抑制器 High Discharge Capacity Surge Protective Devices

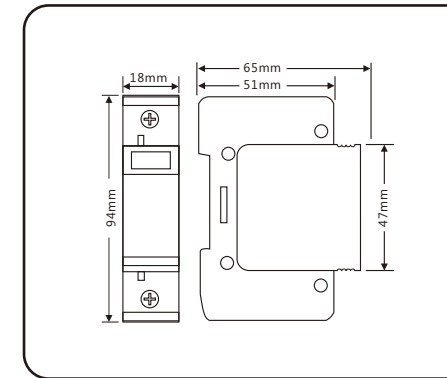


本产品用于防止低压电源受到过压干扰，适用于总电源部分，如配电室、配电柜和其他重要场所总电源防雷保护。广泛应用于移动基站、微波通信局/站、电信机房、工厂、民航、金融、证券等系统的主电源防护。

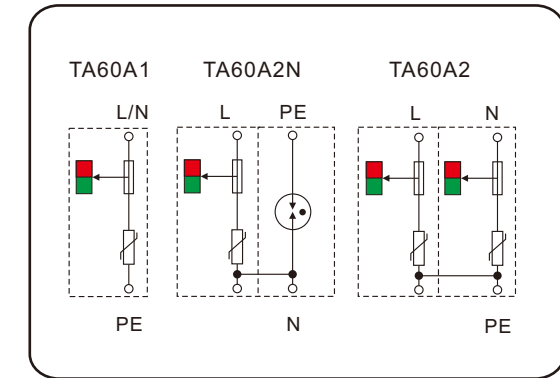
This product is designed to protect low voltage devices from surge damages, mainly used in power supply system such as power distribution-room, distribution-cabinet and other important power supply system. Widely used to protect mobile communication station, telecommunication centre, airport, finance, and so on.



大通流电源系统电涌抑制器 High Discharge Capacity Surge Protective Devices



TA60 尺寸图
TA60 Dimension diagram



TA60 基本电路图
TA60 Basic circuit diagram

- 通流量大，快速响应
High discharge capacitance, quick response
- 残压低，保护性能好，适合并联和串联（V形）连接
Low residual voltage, fine protection and with terminals for parallel or series (V-shape) connection
- 多功能接线端口，可以接导线和汇流排
Multifunctional connection for conductor and busbars
- 当故障时窗口显示为红色
Window will display red when fault occurs.

Type	型号		TA60A/275	TA60A/320	TA60A/385	TA60A/440
Rated voltage (max. Continuous voltage)	额定电压 (最大持续工作电压)	Uc	275V	320V	385V	440V
Nominal discharge current (8/20μs)	标称放电电流 (8/20μs)	In			30kA	
Max. discharge current (8/20μs)	最大通流量 (8/20μs)	I _{max}			60kA	
Voltage protection level	保护水平	Up	1.8kV	1.8kV	2.0kV	2.2kV
Response time	响应时间	t _a			25ns	
Max. Backup fuse	最大后备保险丝				125A gL/gG	
Cross-section area	接线导体截面				35mm ² solid (单股线) / 50mm ² flexible (多股线)	
Operating temperature range (parallel wiring)	工作温度范围 (并联)	T _{op}			-40°C... +80°C	
Operating temperature range (through wiring)	工作温度范围 (串联)	T _{os}			-40°C... +60°C	
Mounting on	安装支架				35mm DIN rail (35mm电气安装导轨)	
Enclosure material	外壳				Thermoplastic (热塑性材料)	
Dimension	安装宽度				1 mods (1个标准模块)	
Test standards	测试依据				GB18802.1-2011; IEC61643-1: 2005	
Outer casing protection grade	防护等级				IP20	