

60 DC Fan Series x60x10mm

c **UL** us **CE** **RoHS**

Optional Features



GENERAL SPECIFICATIONS

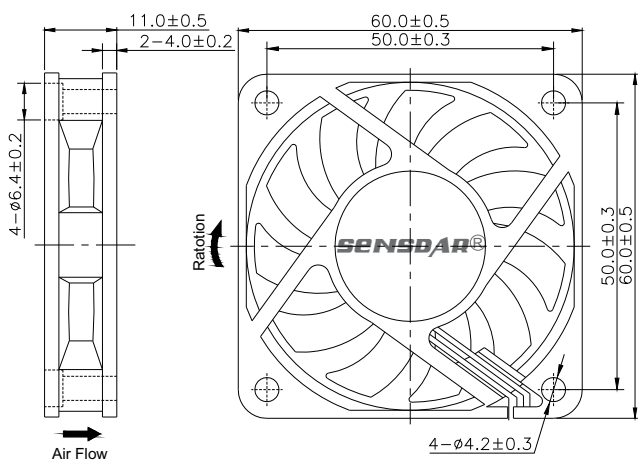
Bearing Type: Sleeve Bearing & Ball Bearing
 Material: Impeller & Frame: Plastic (UL94V-0)
 Lead Wire: UL Type
 Operation Temperature: -10°C-70°C, 35%-85%RH
 Storage Temperature: -40°C-80°C, 35%-85%RH



SPECIFICATIONS

Model	Bearing System		Rated Voltage	Operation Voltage	Rated Current	Rated Speed	Air Flow	Air Pressure	Noise Level	Weight
	Ball	Sleeve	VDC	VDC	A	RPM	CFM	mmH ₂ O	dBA	g
SD6010H5X	●	●	5.0	4.5-5.5	0.35	4000	18.1	3.3	28	23
SD6010M5X	●	●			0.30	3500	14.8	2.5	26	
SD6010L5X	●	●			0.25	3000	12.5	1.7	23	
SD6010H1X	●	●	12.0	6.0-13.8	0.23	4000	18.1	3.3	28	
SD6010M1X	●	●			0.18	3500	14.8	2.5	26	
SD6010L1X	●	●			0.13	3000	12.5	1.7	23	
SD6010H2X	●	●	24.0	12.0-27.6	0.10	4000	18.1	3.3	28	
SD6010M2X	●	●			0.08	3500	14.8	2.5	26	
SD6010L2X	●	●			0.06	3000	12.5	1.7	23	

DIMENSIONS DRAWING



Note:

- *All readings are typical values at rated voltage.
- *Specifications are subject to change without prior notice.
- *"X" in model list can be B, S, and C, meaning Dual Ball Bearing, Sleeve Bearing and 1 Ball 1 Sleeve Bearing

P&Q CURVE (AT RATED VOLTAGE)

