

75 DC blower Series x75x30mm

UL us CE RoHS

Optional Features



GENERAL SPECIFICATIONS

Bearing Type: Sleeve Bearing & Ball Bearing
 Material: Impeller & Frame: Plastic (UL94V-0)
 Lead Wire: UL Type
 Operation Temperature: -10°C-70°C, 35%-85%RH
 Storage Temperature: -40°C-80°C, 35%-85%RH

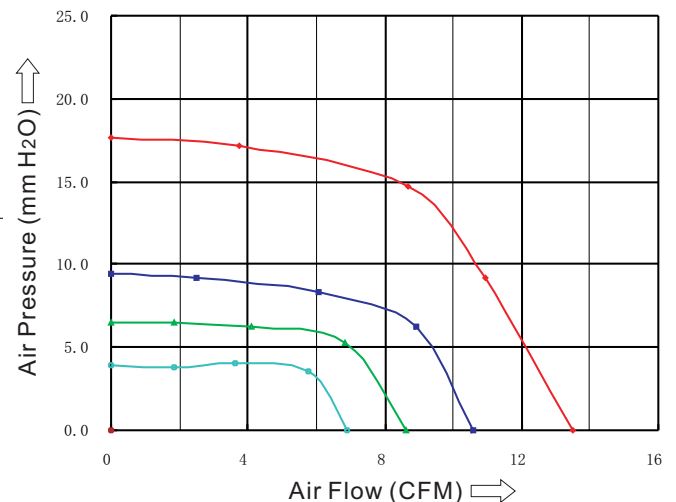
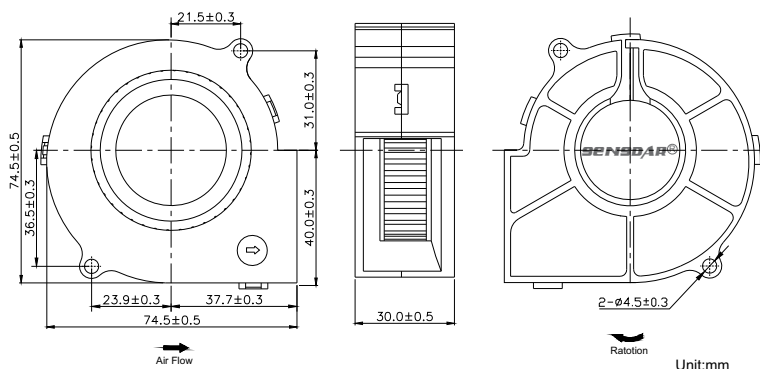


SPECIFICATIONS

Model	Bearing System		Rated Voltage VDC	Operation Voltage VDC	Rated Current A	Rated Speed RPM	Air Flow CFM	Air Pressure mmH ₂ O	Noise Level dBA	Weight g
	Ball	Sleeve								
SB7530H5X	●	●	5.0	4.5-5.5	0.45	3000	10.6	9.4	38	85
SB7530M5X	●	●			0.35	2500	3.8	9.3	35	
SB7530L5X	●	●			0.30	2000	6.9	3.9	28	
SB7530H1X	●	●	12.0	6.0-13.8	0.50	3800	13.5	17.7	44	
SB7530M1X	●	●			0.28	3000	10.6	9.4	38	
SB7530L1X	●	●			0.18	2500	8.6	6.5	35	
SB7530H2X	●	●	24.0	12.0-27.6	0.30	3800	13.5	17.7	44	
SB7530M2X	●	●			0.20	3000	10.6	9.4	38	
SB7530L2X	●	●			0.12	2500	8.6	6.5	35	

DIMENSIONS DRAWING

P&Q CURVE (AT RATED VOLTAGE)



Note:

- *All readings are typical values at rated voltage.
- *Specifications are subject to change without prior notice.
- *"X" in model list can be B, S, and C, meaning Dual Ball Bearing, Sleeve Bearing and 1 Ball 1 Sleeve Bearing