

50 DC Fan Series x50x10mm

c **UL** us **CE** **RoHS**

Optional Features



GENERAL SPECIFICATIONS

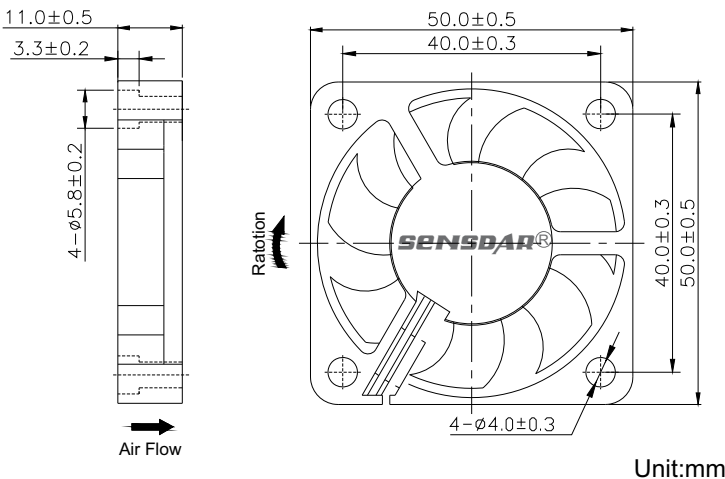
Bearing Type: Sleeve Bearing & Ball Bearing
 Material: Impeller & Frame: Plastic (UL94V-0)
 Lead Wire: UL Type
 Operation Temperature: -10°C-70°C, 35%-85%RH
 Storage Temperature: -40°C-80°C, 35%-85%RH



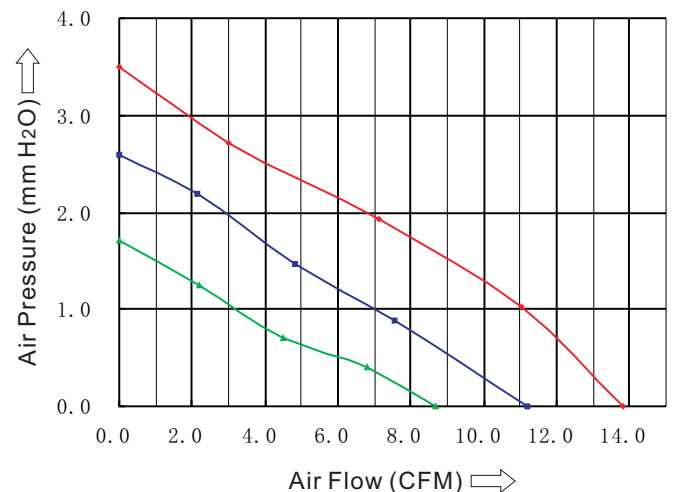
SPECIFICATIONS

Model	Bearing System		Rated Voltage	Operation Voltage	Rated Current	Rated Speed	Air Flow	Air Pressure	Noise Level	Weight
	Ball	Sleeve	VDC	VDC	A	RPM	CFM	mmH ₂ O	dBA	g
SD5010H5X	●	●	5.0	4.5-5.5	0.30	5500	13.8	3.5	33	19
SD5010M5X	●	●			0.20	4500	11.2	2.6	28	
SD5010L5X	●	●			0.15	3500	8.7	1.7	22	
SD5010H1X	●	●	12.0	6.0-13.8	0.18	5500	13.8	3.5	33	
SD5010M1X	●	●			0.10	4500	11.2	2.6	28	
SD5010L1X	●	●			0.07	3500	8.7	1.7	22	
SD5010H2X	●	●	24.0	12.0-27.6	0.09	5500	13.8	3.5	33	
SD5010M2X	●	●			0.07	4500	11.2	2.6	28	
SD5010L2X	●	●			0.05	3500	8.7	1.7	22	

DIMENSIONS DRAWING



P&Q CURVE (AT RATED VOLTAGE)



Note:

- *All readings are typical values at rated voltage.
- *Specifications are subject to change without prior notice.
- *"X" in model list can be B, S, and C, meaning Dual Ball Bearing, Sleeve Bearing and 1 Ball 1 Sleeve Bearing