

# 80

# DC Fan Series

## x80x38mm

c **UL** us **CE** **RoHS**

Optional Features



### GENERAL SPECIFICATIONS

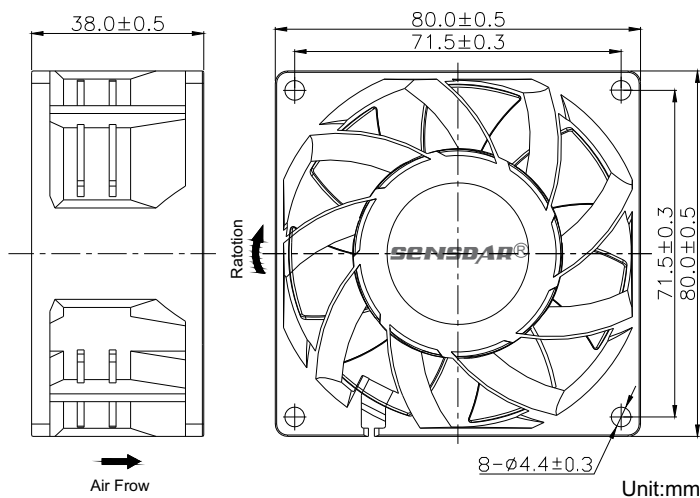
Bearing Type: Sleeve Bearing & Ball Bearing  
 Material: Impeller & Frame: Plastic (UL94V-0)  
 Lead Wire: UL Type  
 Operation Temperature: -10°C~70°C, 35%~85%RH  
 Storage Temperature: -40°C~80°C, 35%~85%RH



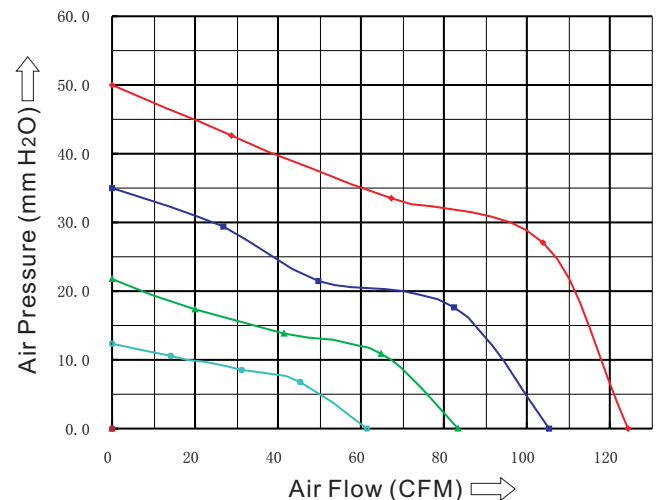
### SPECIFICATIONS

Model	Bearing System		Rated Voltage	Operation Voltage	Rated Current	Rated Speed	Air Flow	Air Pressure	Noise Level	Weight
	Ball	Sleeve	VDC	VDC	A	RPM	CFM	mmH <sub>2</sub> O	dBA	g
SG8038D1X	●		12.0	7.0~13.8	2.80	9000	124.0	50.0	67	170
SG8038H1X	●				1.60	7500	105.0	35.0	63	
SG8038M1X	●	●			0.85	6000	83.5	21.8	57	
SG8038L1X	●	●			0.45	4500	61.5	12.4	49	
SG8038D2X	●		24.0	12.0~27.6	1.50	9000	124.0	50.0	67	
SG8038H2X	●				0.80	7500	105.0	35.0	63	
SG8038M2X	●	●			0.45	6000	83.5	21.8	57	
SG8038L2X	●	●			0.25	4500	61.5	12.4	49	
SG8038D4X	●		48.0	24.0~55.2	0.80	9000	124.0	50.0	67	
SG8038H4X	●				0.45	7500	105.0	35.0	63	
SG8038M4X	●	●			0.28	6000	83.5	21.8	57	
SG8038L4X	●	●			0.18	4500	61.5	12.4	49	

### DIMENSIONS DRAWING



### P&Q CURVE (AT RATED VOLTAGE)



Note:

\*All readings are typical values at rated voltage.

\*Specifications are subject to change without prior notice.

\*"X" in model list can be B, S, and C, meaning Dual Ball Bearing, Sleeve Bearing and 1 Ball 1 Sleeve Bearing