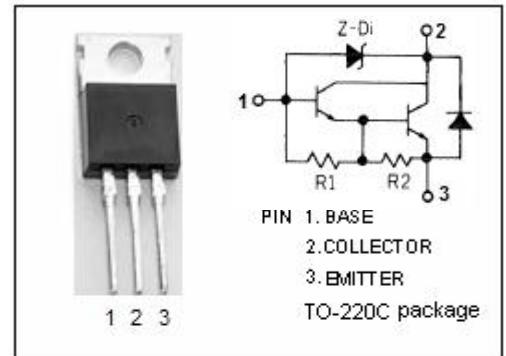


DESCRIPTION

- Low Collector Saturation Voltage
- High DC Current Gain
- High Reliability

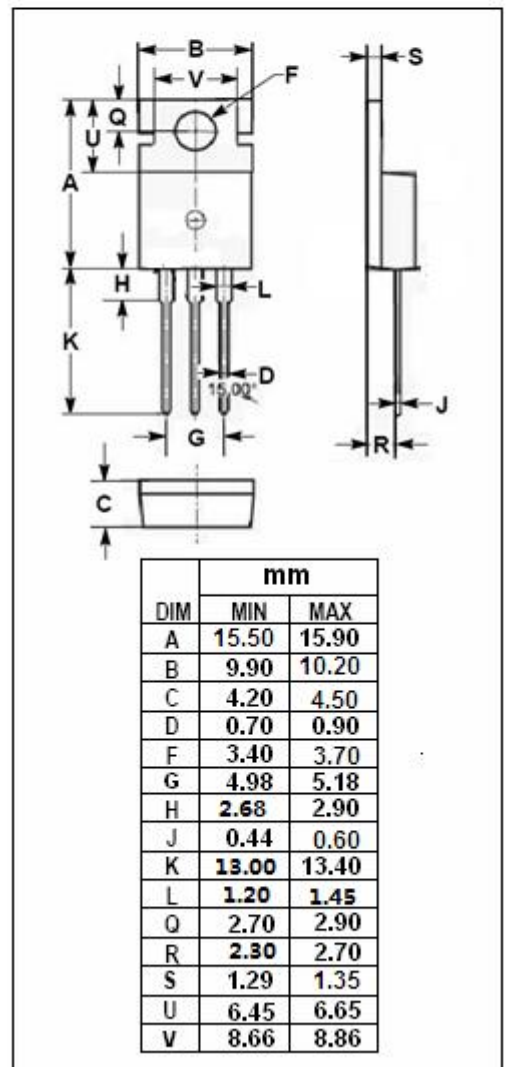
APPLICATIONS

- Audio power amplifiers
- Relay & solenoid drivers
- Motor controls
- General purpose power amplifiers
- Including zener diode



ABSOLUTE MAXIMUM RATINGS(T_a=25°C)

SYMBOL	PARAMETER	VALUE	UNIT
V _{CBO}	Collector-Base Voltage	450	V
V _{CEO(SUS)}	Collector-Emitter Voltage	300	V
V _{EBO}	Emitter-Base Voltage	6	V
V _Z	Zener Voltage	300	V
I _C	Collector Current-Continuous	6	A
I _B	Base Current-Continuous	2.5	A
P _C	Collector Power Dissipation @ T _C =25°C	40	W
T _J	Junction Temperature	150	°C
T _{stg}	Storage Temperature Range	-40~150	°C



THERMAL CHARACTERISTICS

SYMBOL	PARAMETER	MAX	UNIT
R _{thj-c}	Thermal Resistance, Junction to Case	3.0	°C/W

SPTECH Silicon NPN Darlington Power Transistor 2SD1071

ELECTRICAL CHARACTERISTICS

T_c=25°C unless otherwise specified

SYMBOL	PARAMETER	CONDITIONS	MIN	TYP.	MAX	UNIT
V _Z	Zener Voltage	I _Z = 0.1mA	300		450	V
V _{(BR)EBO}	Emitter-Base Breakdown Voltage	I _E = 5mA; I _C = 0	6			V
V _{CE(sat)}	Collector-Emitter Saturation Voltage	I _C = 4A; I _B = 15mA			1.5	V
V _{BE(sat)}	Base-Emitter Saturation Voltage	I _C = 4A; I _B = 15mA			2.0	V
I _{CBO}	Collector Cutoff Current	V _{CB} = 300V; I _E = 0			0.1	mA
I _{EBO}	Emitter Cutoff Current	V _{EB} = 6V; I _C =0			5	mA
h _{FE}	DC Current Gain	I _C = 4A; V _{CE} = 2V	500			