

规格(承认)书

Specification for approval

※ 方舟 P/N (ARKLED P/N): SN520561/SN510561

※ 客户 P/N (CUSTOMER P/N): _____

※ 产品说明 (DESCRIPTION):

1. 0.56 inch (14.2mm) Digit Height
2. Dual Digits Numeric LED Display
3. Ultra Brightness Yellow

※ 日期 (DATE): 2012-5-19

地址: 江苏省宜兴市张渚镇金张渚工业区宇龙路6号

FACTORY ADD: NO.6 Yulong Road, ZHANGZHU TOWN, YIXING CITY, JIANGSU PROVINCE, P.R.CHINA

Ningbo Branch:

电话 (TEL): **0086-574-86308393**

E-mial: **ark@arkled.net**

传真 (FAX): **0086-574-86308392**

网址(http) : **www.arkled.net**

0.56 Inch Numeric LED Display

Part No: SN520561, SN510561



FEATURES

- High intensity and reliability
- High quality, Low power requirement and low cost
- IC compatible, Easy assembly
- Meet RoHS EU Directive

DESCRIPTION

- The device of this 0.56 inch numeric LED display is made of 4 elements (GaAsP) material, designed for viewing distance up to 7 meters.
- It can be used in audio equipment, instruments, numeric read out display and so on.
- Standard appearance color is black or grey face and white segment.

Selection Guide

Part No. CC ^[1]	Part No. CA ^[2]	Dice	Iv(mcd) ^[3] @20mA	
			Min.	Typ.
SN520561	SN510561	Ultra Bright Yellow (AlGaInP)	17	50

Note:

1. CC is Common Cathode.
2. CA is Common Anode.
3. Luminous intensity/ luminous Flux: +/-15%.

0.56 Inch Numeric LED Display

Part No: SN520561, SN510561



ABSOLUTE MAXIMUM RATINGS AT Ta=25°C

PARAMETER	SYMBOL	ULTRA-BRIGHT YELLOW	UNIT
Power Dissipation Per Segment	PAD	100	mw
Reverse Voltage Per Segment	VR	5	V
Continuous Forward Current Per Segment	IAF	30	mA
Peak Forward Current Per Segment(Duty-0.1,1KHz)	IPF	200	mA
Operating Temperature Range	TOPr	-20°C to 80°C	
Storage Temperature Range	Tstg	-30°C to 85°C	

Lead Soldering Temperature 260°C at 1.6mm From Body for 3 second

ELECTRICAL/OPTICAL CHARACTERISTICS AT Ta=25°C

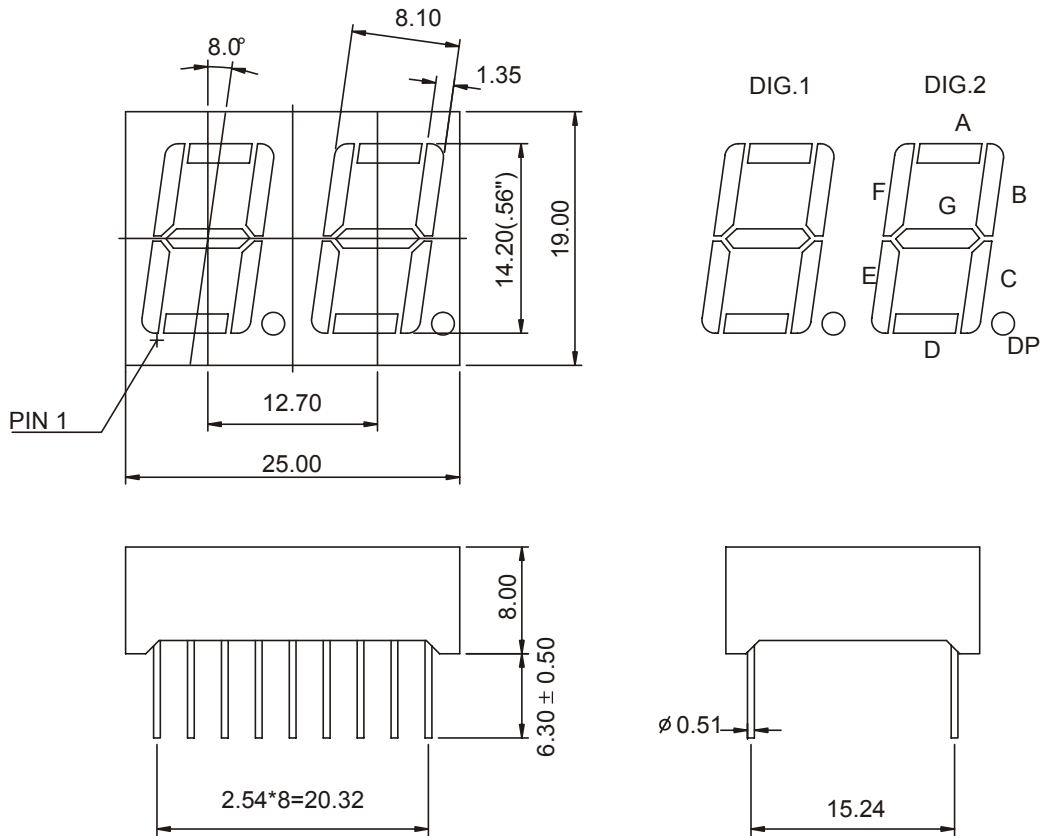
PARAMETER	SYMBOL	TEST CONDITION	Color	TYP	MAX	UNIT
Forward Voltage ,Per Segment	VF	IF=20mA	ULTRA-BRIGHT Yellow	2.0	2.6	V
Reverse Current , Per Segment	IR	VR=5V	ULTRA-BRIGHT Yellow		50	µA
Peak Emission Wavelength	λp	IF=20mA	ULTRA-BRIGHT Yellow	595		nm

0.56 Inch Numeric LED Display

Part No: SN520561, SN510561

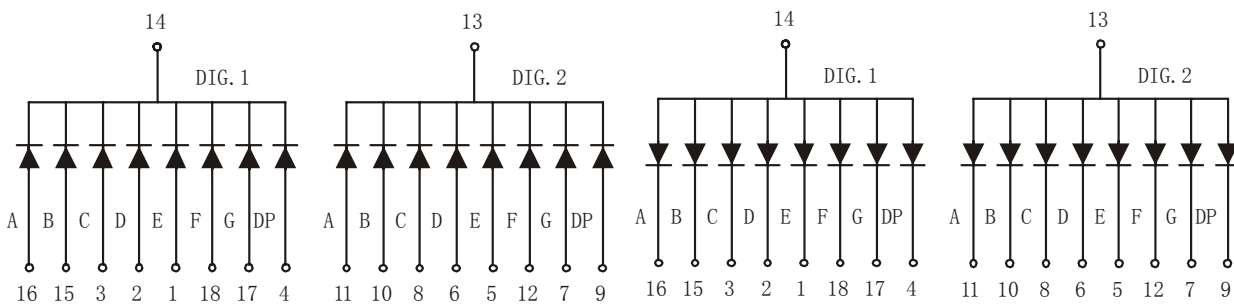


Package Dimensions and Internal Circuit Diagram



SN20561

SN10561



- NOTES: 1. all dimensions are in millimeters. (Inches)
 2. Tolerance is $\pm 0.25(0.010)$ unless otherwise specified.

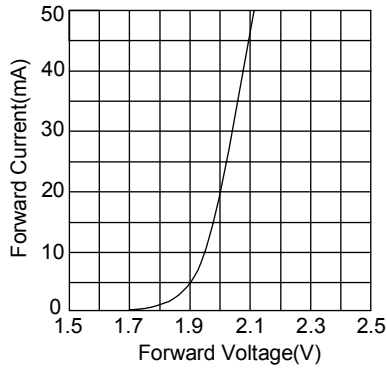
0.56 Inch Numeric LED Display

Part No: SN520561, SN510561

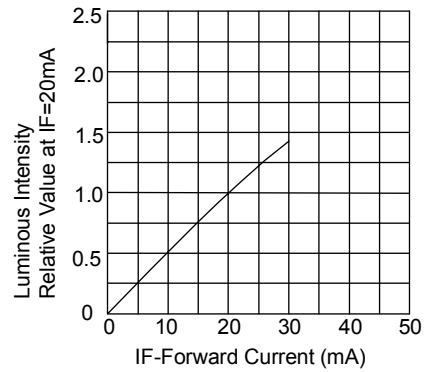


Typical Electrical-Optical Characteristics Curves

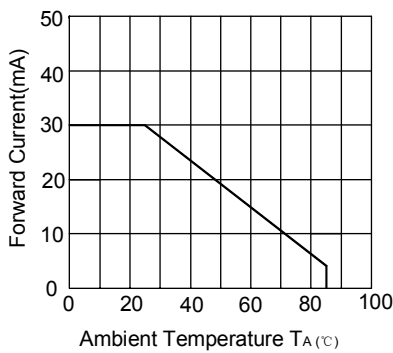
Forward Current Vs Forward Voltage



Relative Intensity Vs Forward Current



Forward Current Vs Environmental Temp



Relative Intensity Vs Environmental Temp

