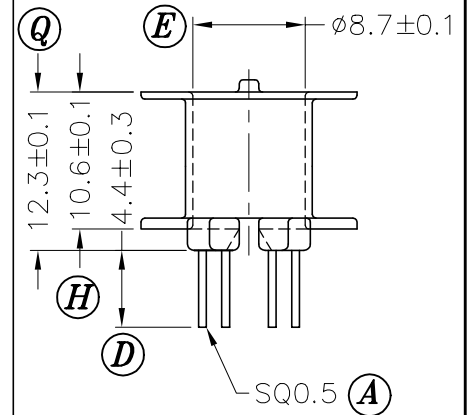
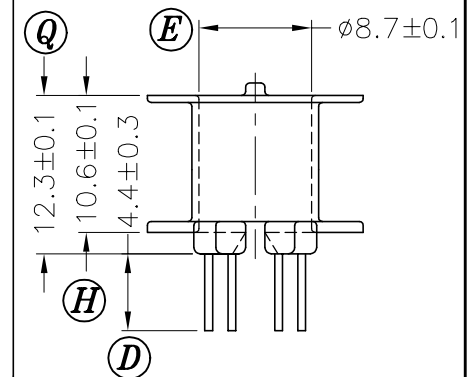


DRAWING NO.	MATERIAL:	ORIGIN
P-804-3	PM9630	SZ



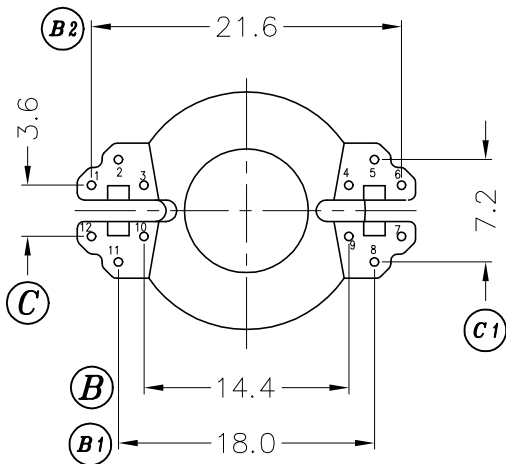
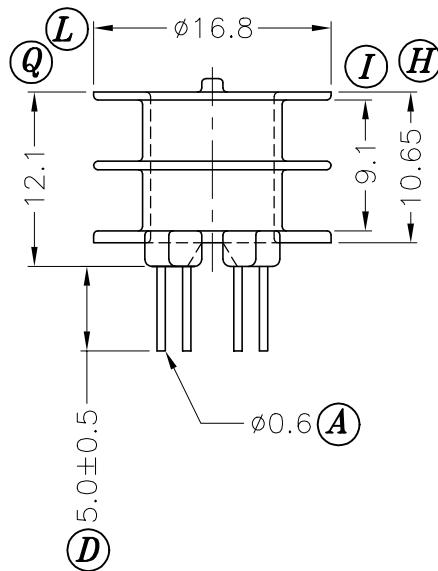
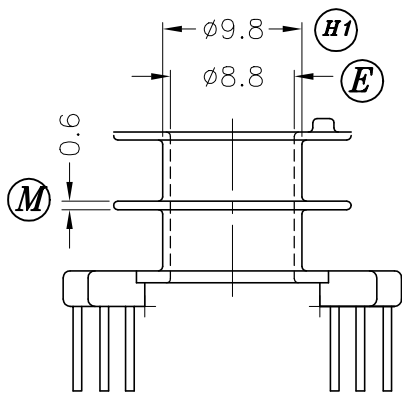
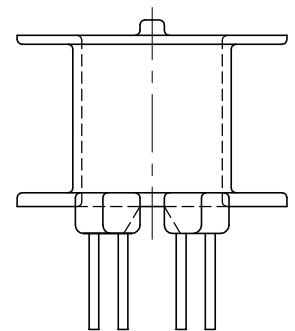
B-086.102P

DRAWING NO.	MATERIAL:	ORIGIN
P-804-2	PM9630	SZ



B-086.101P

DRAWING NO.	MATERIAL:	ORIGIN
P-804-1	PM9630	SZ



REV.	REVISIONS	REC.	REV.	REVISIONS	REC.
1	CANCEL (K),(J),(P); UPDAET DRAWING				

DRAWN & DRAFTED BY DENG SHENGBIN	TOLERANCES		ANGLE: ±1°	TITLE: T-H BOBBIN RM-8 (2 SEC)	
	0<L≤4 ±0.1	pin pitch ±0.2	UNIT: MM	BOBBIN MATERIAL: PHENOLIC PM9630	UL REC. UL 94V-0
CHECKED & APPROVED BY ZHONG YU	4<L≤16 ±0.2		ORIGIN: DG	PIN MATERIAL: CP WIRE	PIN TENSION LOAD: 1.0KG MIN.
		DATE: MAR.27 '2003	DRAWING NO. P-804	REV. 1	

TEL:886-2-22990545

FAX:886-2-22990546

