

### FEATURES

#### Flexible Configuration

Differential Input and Output Driver  
or Two Single-Ended Drivers

#### Industrial Temperature Range

#### High Output Power

Thermally Enhanced SOIC

400 mA Minimum Output Drive/Amp,  $R_L = 10 \Omega$

#### Low Distortion

-66 dB @ 1 MHz THD,  $R_L = 200 \Omega$ ,  $V_{OUT} = 40 \text{ V p-p}$

0.05% and 0.45° Differential Gain and Phase,  $R_L = 25 \Omega$   
(6 Back-Terminated Video Loads)

#### High Speed

120 MHz Bandwidth (-3 dB)

900 V/ $\mu\text{s}$  Differential Slew Rate

70 ns Settling Time to 0.1%

#### Thermal Shutdown

### APPLICATIONS

ADSL, HDSL, and VDSL Line Interface Driver

Coil or Transformer Driver

CRT Convergence and Astigmatism Adjustment

Video Distribution Amp

Twisted Pair Cable Driver

### GENERAL DESCRIPTION

The AD815 consists of two high speed amplifiers capable of supplying a minimum of 500 mA. They are typically configured as a differential driver enabling an output signal of 40 V p-p on  $\pm 15 \text{ V}$  supplies. This can be increased further with the use of a coupling transformer with a greater than 1:1 turns ratio. The low harmonic distortion of -66 dB @ 1 MHz into 200  $\Omega$

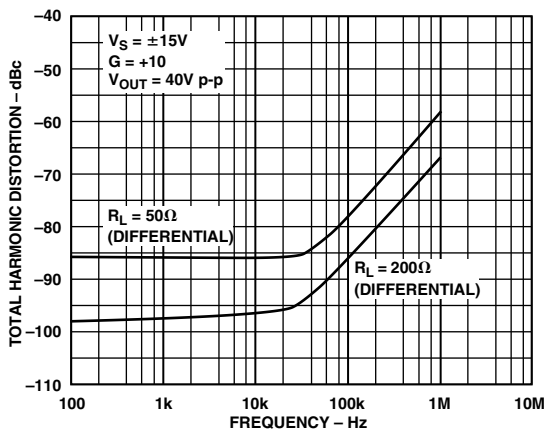
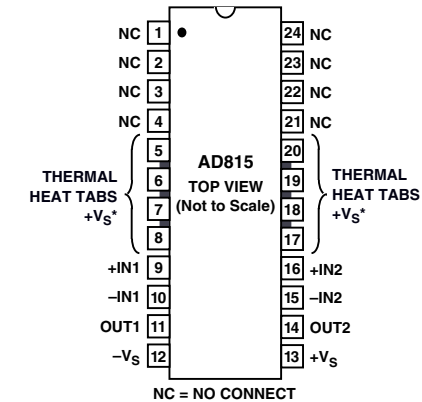


Figure 1. Total Harmonic Distortion vs. Frequency

### REV. D

Information furnished by Analog Devices is believed to be accurate and reliable. However, no responsibility is assumed by Analog Devices for its use, nor for any infringements of patents or other rights of third parties that may result from its use. No license is granted by implication or otherwise under any patent or patent rights of Analog Devices. Trademarks and registered trademarks are the property of their respective owners.

### FUNCTIONAL BLOCK DIAGRAM



\*HEAT TABS ARE CONNECTED TO THE POSITIVE SUPPLY.

combined with the wide bandwidth and high current drive make the differential driver ideal for communication applications such as subscriber line interfaces for ADSL, HDSL and VDSL.

The AD815 differential slew rate of 900 V/ $\mu\text{s}$  and high load drive are suitable for fast dynamic control of coils or transformers, and the video performance of 0.05% and 0.45° differential gain and phase into a load of 25  $\Omega$  enable up to 12 back-terminated loads to be driven.

The 24-lead SOIC (RB) is capable of driving 26 dBm for full rate ADSL with proper heat sinking.

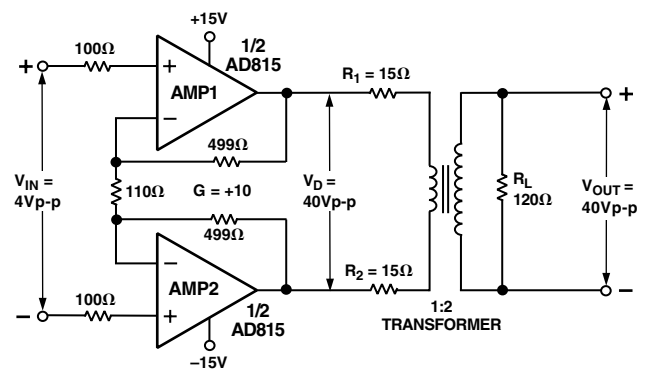


Figure 2. Subscriber Line Differential Driver

# AD815—SPECIFICATIONS (@ $T_A = +25^\circ\text{C}$ , $V_S = \pm 15\text{ V dc}$ , $R_{FB} = 1\text{ k}\Omega$ and $R_{LOAD} = 100\ \Omega$ unless otherwise noted)

Model	Conditions	$V_S$	AD815A			Units
			Min	Typ	Max	
<b>DYNAMIC PERFORMANCE</b>						
Small Signal Bandwidth (–3 dB)	$G = +1$	$\pm 15$	100	120		MHz
	$G = +1$	$\pm 5$	90	110		MHz
Bandwidth (0.1 dB)	$G = +2$	$\pm 15$		40		MHz
	$G = +2$	$\pm 5$		10		MHz
Differential Slew Rate	$V_{OUT} = 20\text{ V p-p}$ , $G = +2$	$\pm 15$	800	900		$\text{V}/\mu\text{s}$
Settling Time to 0.1%	10 V Step, $G = +2$	$\pm 15$		70		ns
<b>NOISE/HARMONIC PERFORMANCE</b>						
Total Harmonic Distortion	$f = 1\text{ MHz}$ , $R_{LOAD} = 200\ \Omega$ , $V_{OUT} = 40\text{ V p-p}$	$\pm 15$		–66		dBc
Input Voltage Noise	$f = 10\text{ kHz}$ , $G = +2$ (Single Ended)	$\pm 5, \pm 15$		1.85		$\text{nV}/\sqrt{\text{Hz}}$
Input Current Noise (+ $I_{IN}$ )	$f = 10\text{ kHz}$ , $G = +2$	$\pm 5, \pm 15$		1.8		$\text{pA}/\sqrt{\text{Hz}}$
Input Current Noise (– $I_{IN}$ )	$f = 10\text{ kHz}$ , $G = +2$	$\pm 5, \pm 15$		19		$\text{pA}/\sqrt{\text{Hz}}$
Differential Gain Error	NTSC, $G = +2$ , $R_{LOAD} = 25\ \Omega$	$\pm 15$		0.05		%
Differential Phase Error	NTSC, $G = +2$ , $R_{LOAD} = 25\ \Omega$	$\pm 15$		0.45		Degrees
<b>DC PERFORMANCE</b>						
Input Offset Voltage		$\pm 5$		5	8	mV
		$\pm 15$		10	15	mV
	$T_{MIN} - T_{MAX}$				30	mV
Input Offset Voltage Drift				20		$\mu\text{V}/^\circ\text{C}$
Differential Offset Voltage		$\pm 5$		0.5	2	mV
		$\pm 15$		0.5	4	mV
	$T_{MIN} - T_{MAX}$				5	mV
Differential Offset Voltage Drift				10		$\mu\text{V}/^\circ\text{C}$
–Input Bias Current		$\pm 5, \pm 15$		10	90	$\mu\text{A}$
	$T_{MIN} - T_{MAX}$				150	$\mu\text{A}$
+Input Bias Current		$\pm 5, \pm 15$		2	5	$\mu\text{A}$
	$T_{MIN} - T_{MAX}$				5	$\mu\text{A}$
Differential Input Bias Current		$\pm 5, \pm 15$		10	75	$\mu\text{A}$
	$T_{MIN} - T_{MAX}$				100	$\mu\text{A}$
Open-Loop Transresistance		$\pm 5, \pm 15$	1.0	5.0		$\text{M}\Omega$
	$T_{MIN} - T_{MAX}$		0.5			$\text{M}\Omega$
<b>INPUT CHARACTERISTICS</b>						
Differential Input Resistance	+Input	$\pm 15$		7		$\text{M}\Omega$
	–Input			15		$\Omega$
Differential Input Capacitance		$\pm 15$		1.4		pF
Input Common-Mode Voltage Range		$\pm 15$		13.5		$\pm\text{V}$
		$\pm 5$		3.5		$\pm\text{V}$
Common-Mode Rejection Ratio	$T_{MIN} - T_{MAX}$	$\pm 5, \pm 15$	57	65		dB
Differential Common-Mode Rejection Ratio	$T_{MIN} - T_{MAX}$	$\pm 5, \pm 15$	80	100		dB
<b>OUTPUT CHARACTERISTICS</b>						
Voltage Swing	Single Ended, $R_{LOAD} = 25\ \Omega$	$\pm 15$	11.0	11.7		$\pm\text{V}$
		$\pm 5$	1.1	1.8		$\pm\text{V}$
	Differential, $R_{LOAD} = 50\ \Omega$	$\pm 15$	21	23		$\pm\text{V}$
	$T_{MIN} - T_{MAX}$	$\pm 15$	22.5	24.5		$\pm\text{V}$
Output Current <sup>1</sup>						
RB-24	$R_{LOAD} = 10\ \Omega$	$\pm 15$	400	500		mA
Short Circuit Current		$\pm 15$		1.0		A
Output Resistance		$\pm 15$		13		$\Omega$
<b>MATCHING CHARACTERISTICS</b>						
Crosstalk	$f = 1\text{ MHz}$	$\pm 15$		–65		dB
<b>POWER SUPPLY</b>						
Operating Range <sup>2</sup>	$T_{MIN} - T_{MAX}$				$\pm 18$	V
Quiescent Current		$\pm 5$		23	30	mA
		$\pm 15$		30	40	mA
	$T_{MIN} - T_{MAX}$	$\pm 5$			40	mA
		$\pm 15$			55	mA
Power Supply Rejection Ratio	$T_{MIN} - T_{MAX}$	$\pm 5, \pm 15$	–55	–66		dB

## NOTES

<sup>1</sup>Output current is limited in the 24-lead SOIC package to the maximum power dissipation. See absolute maximum ratings and derating curves.

<sup>2</sup>Observe derating curves for maximum junction temperature.

Specifications subject to change without notice.

## ABSOLUTE MAXIMUM RATINGS<sup>1</sup>

Supply Voltage	±18 V Total
Internal Power Dissipation <sup>2</sup>	
Small Outline (RB)	2.4 Watts (Observe Derating Curves)
Input Voltage (Common Mode)	±V <sub>S</sub>
Differential Input Voltage	±6 V
Output Short Circuit Duration	Observe Power Derating Curves Can Only Short to Ground
Storage Temperature Range	
RB Package	-65°C to +125°C
Operating Temperature Range	
AD815A	-40°C to +85°C
Lead Temperature Range (Soldering, 10 sec)	300°C

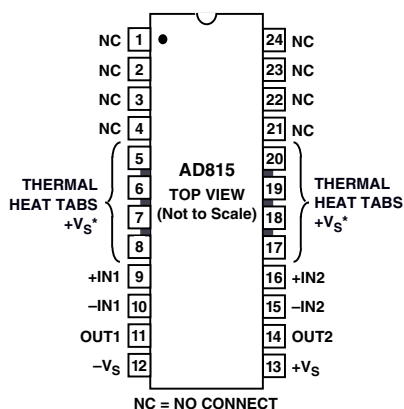
## NOTES

<sup>1</sup>Stresses above those listed under Absolute Maximum Ratings may cause permanent damage to the device. This is a stress rating only; functional operation of the device at these or any other conditions above those indicated in the operational section of this specification is not implied. Exposure to absolute maximum rating conditions for extended periods may affect device reliability.

<sup>2</sup>Specification is for device in free air with 0 ft/min air flow: 24-Lead Surface Mount:  $\theta_{JA} = 52^\circ\text{C/W}$ .

## PIN CONFIGURATION

### 24-Lead Thermally-Enhanced SOIC (RB-24)



\*HEAT TABS ARE CONNECTED TO THE POSITIVE SUPPLY.

## MAXIMUM POWER DISSIPATION

The maximum power that can be safely dissipated by the AD815 is limited by the associated rise in junction temperature. The maximum safe junction temperature for the plastic encapsulated parts is determined by the glass transition temperature of the plastic, about 150°C. Exceeding this limit temporarily may cause a shift in parametric performance due to a change in the stresses exerted on the die by the package. Exceeding a junction temperature of 175°C for an extended period can result in device failure.

The AD815 has thermal shutdown protection, which guarantees that the maximum junction temperature of the die remains below a safe level, even when the output is shorted to ground. Shorting the output to either power supply will result in device failure. To ensure proper operation, it is important to observe the derating curves and refer to the section on power considerations.

It must also be noted that in high (noninverting) gain configurations (with low values of gain resistor), a high level of input overdrive can result in a large input error current, which may result in a significant power dissipation in the input stage. This power must be included when computing the junction temperature rise due to total internal power.

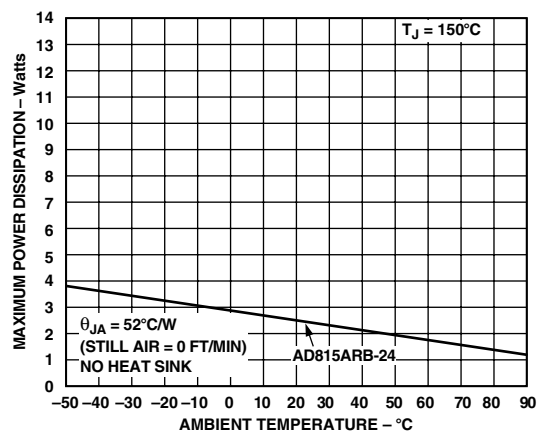


Figure 3. Plot of Maximum Power Dissipation vs. Temperature

## CAUTION

ESD (electrostatic discharge) sensitive device. Electrostatic charges as high as 4000 V readily accumulate on the human body and test equipment and can discharge without detection. Although the AD815 features proprietary ESD protection circuitry, permanent damage may occur on devices subjected to high energy electrostatic discharges. Therefore, proper ESD precautions are recommended to avoid performance degradation or loss of functionality.



# AD815—Typical Performance Characteristics

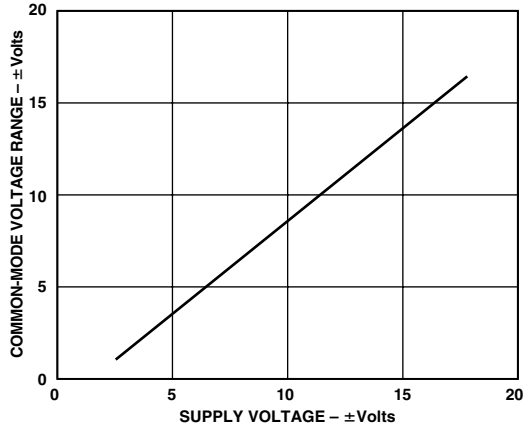


Figure 4. Input Common-Mode Voltage Range vs. Supply Voltage

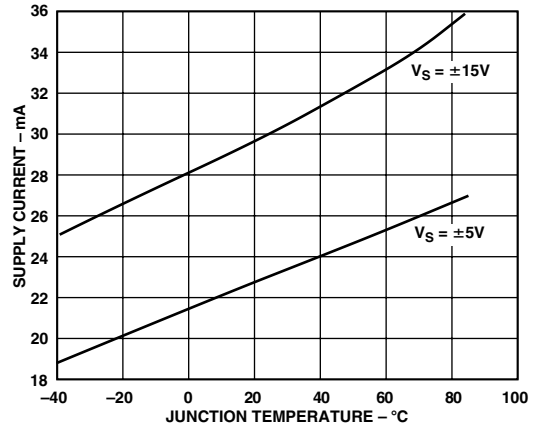


Figure 7. Total Supply Current vs. Temperature

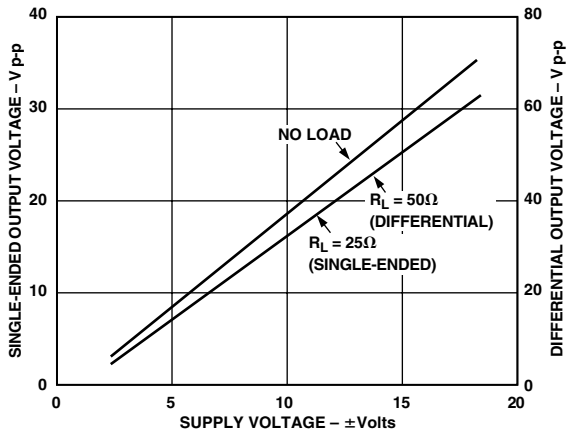


Figure 5. Output Voltage Swing vs. Supply Voltage

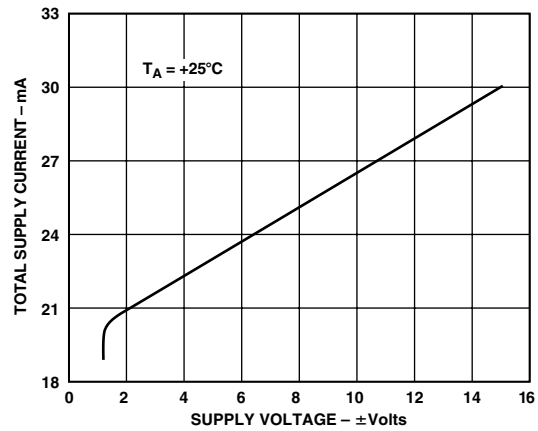


Figure 8. Total Supply Current vs. Supply Voltage

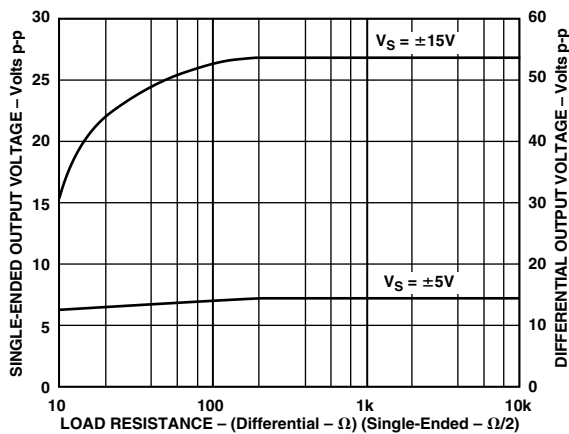


Figure 6. Output Voltage Swing vs. Load Resistance

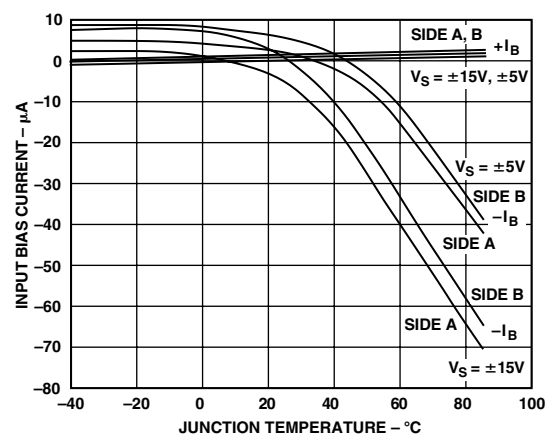


Figure 9. Input Bias Current vs. Temperature

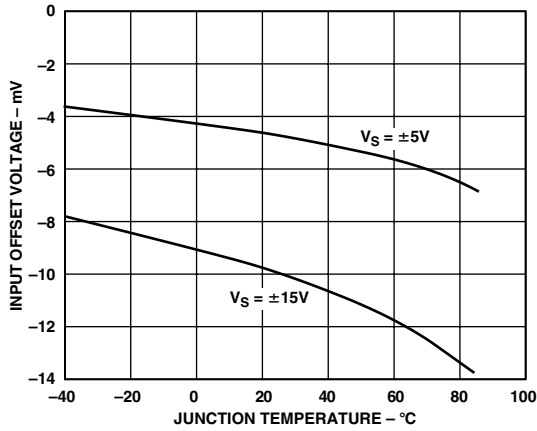


Figure 10. Input Offset Voltage vs. Temperature

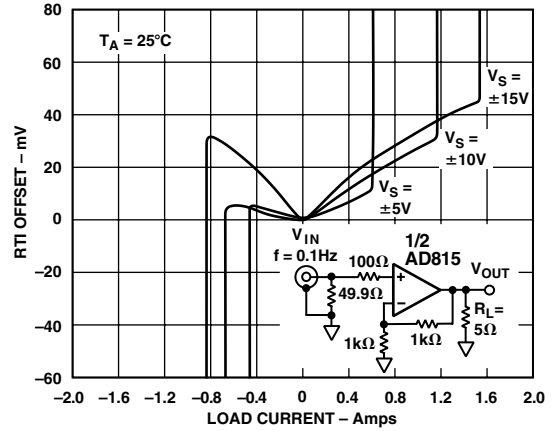


Figure 13. Thermal Nonlinearity vs. Output Current Drive

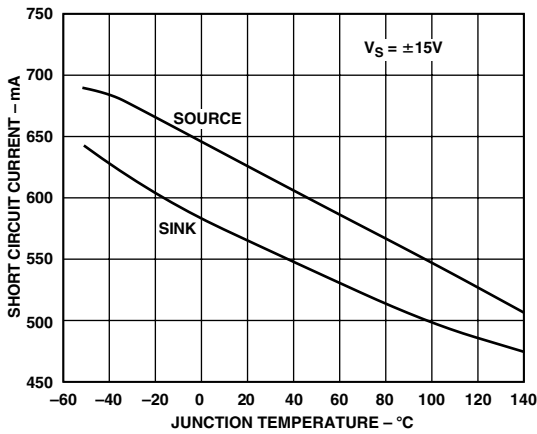


Figure 11. Short Circuit Current vs. Temperature

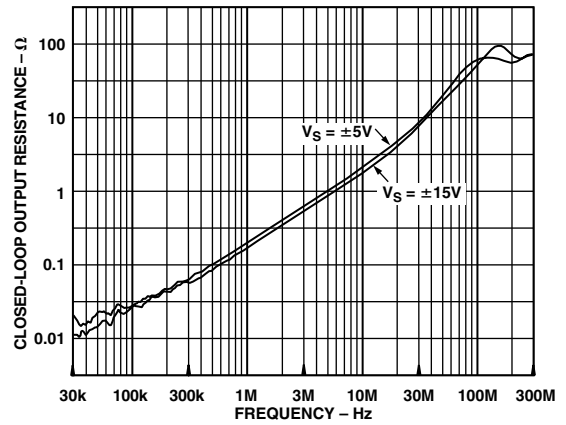


Figure 14. Closed-Loop Output Resistance vs. Frequency

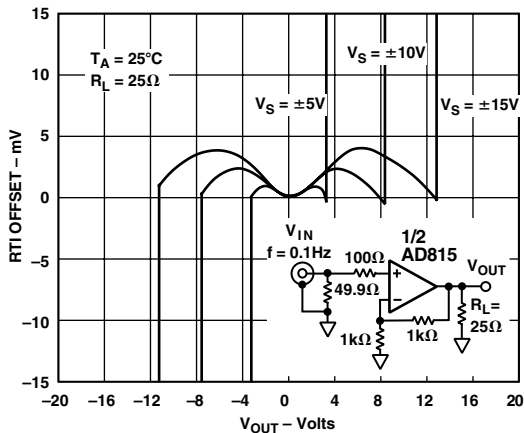


Figure 12. Gain Nonlinearity vs. Output Voltage

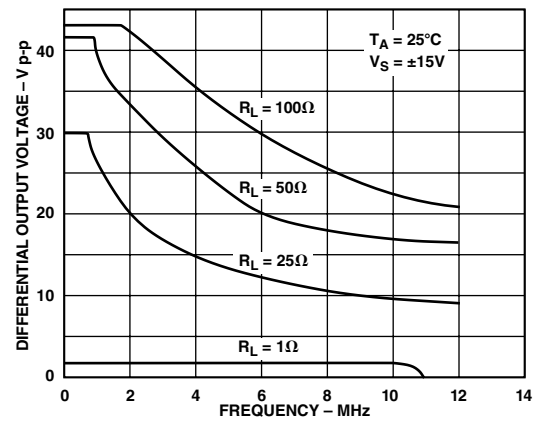


Figure 15. Large Signal Frequency Response

# AD815

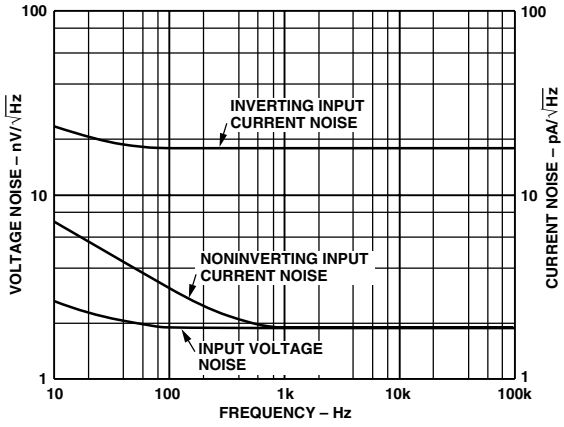


Figure 16. Input Current and Voltage Noise vs. Frequency

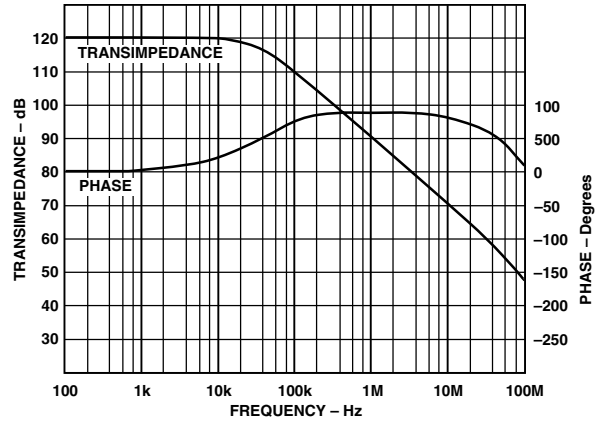


Figure 19. Open-Loop Transimpedance vs. Frequency

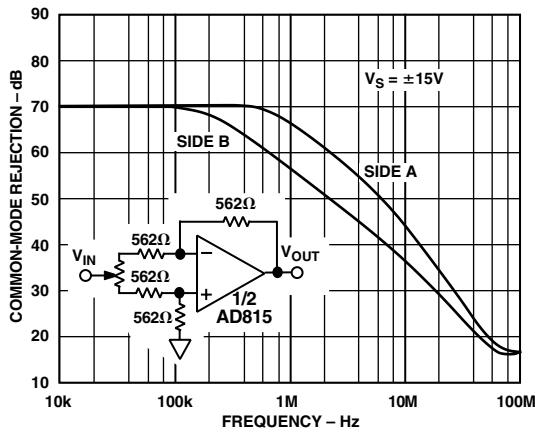


Figure 17. Common-Mode Rejection vs. Frequency

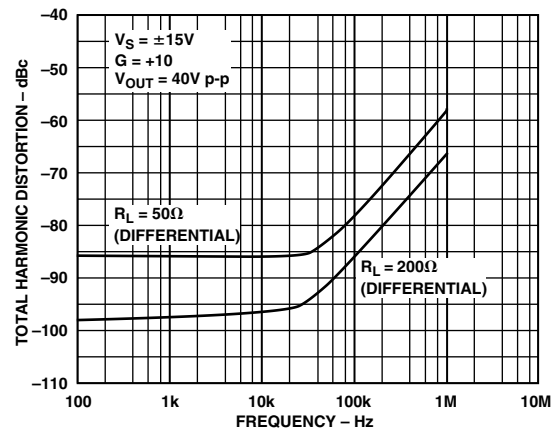


Figure 20. Total Harmonic Distortion vs. Frequency

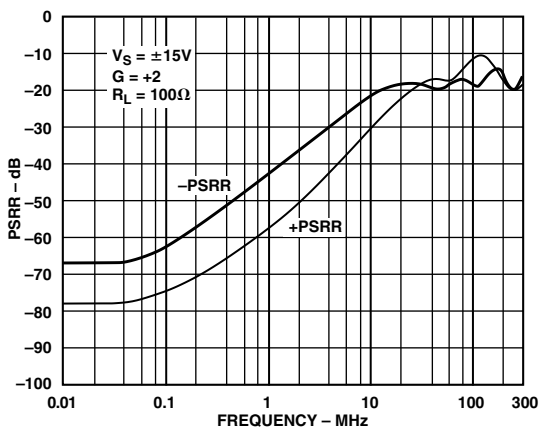


Figure 18. Power Supply Rejection vs. Frequency

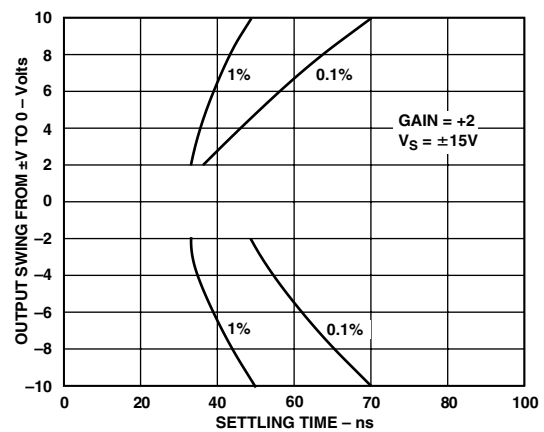


Figure 21. Output Swing and Error vs. Settling Time

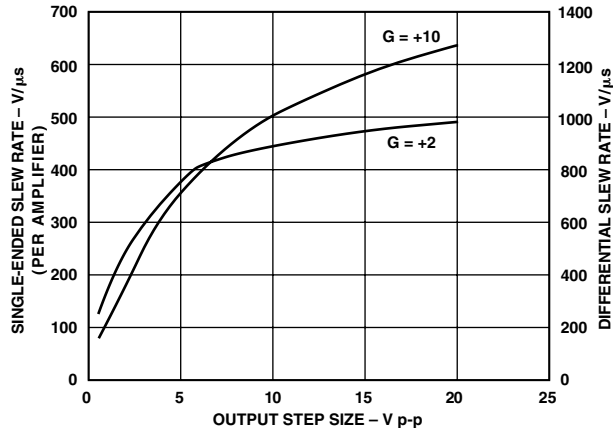


Figure 22. Slew Rate vs. Output Step Size

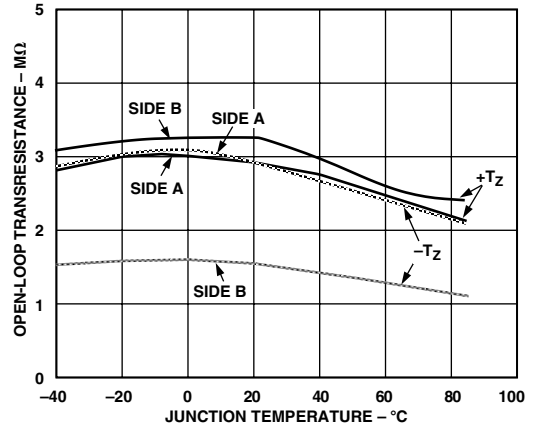


Figure 25. Open-Loop Transresistance vs. Temperature

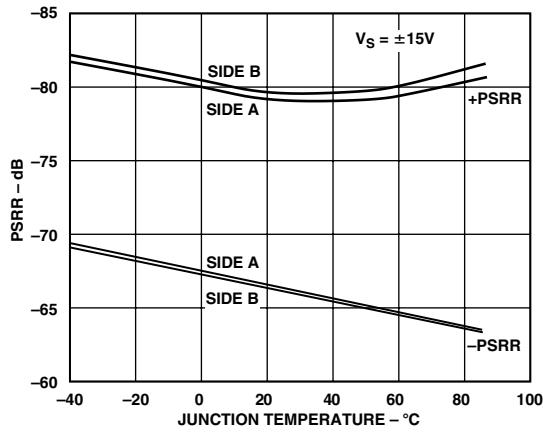


Figure 23. PSRR vs. Temperature

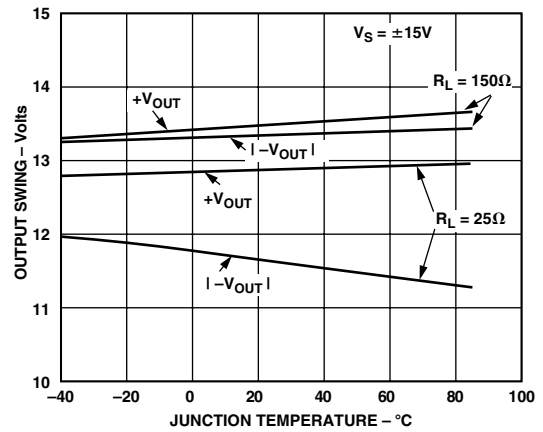


Figure 26. Single-Ended Output Swing vs. Temperature

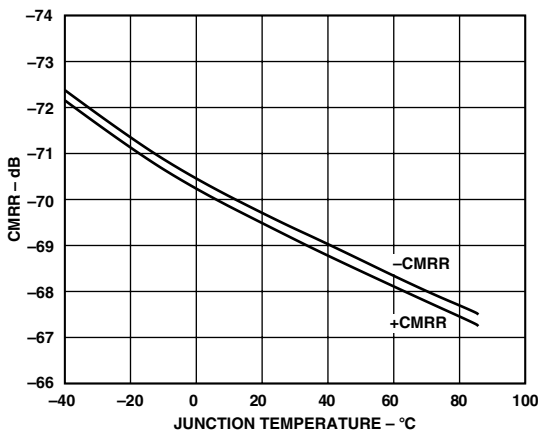


Figure 24. CMRR vs. Temperature

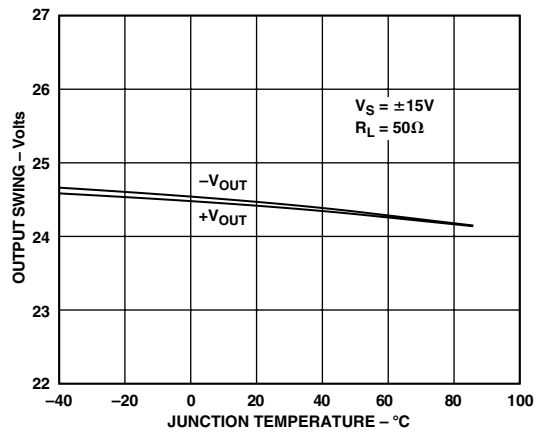


Figure 27. Differential Output Swing vs. Temperature

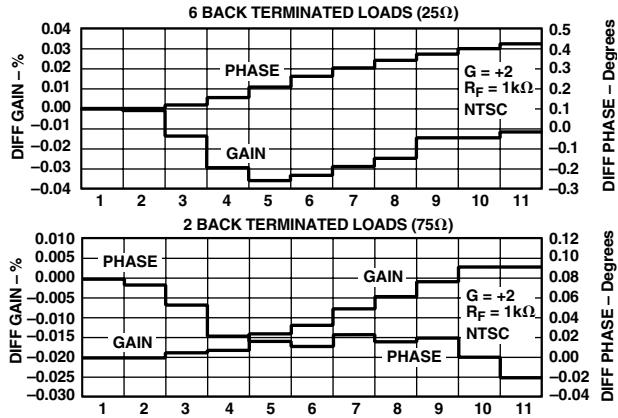


Figure 28. Differential Gain and Differential Phase (per Amplifier)

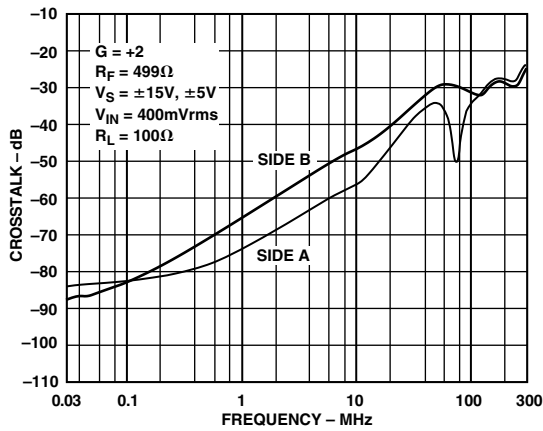


Figure 29. Output-to-Output Crosstalk vs. Frequency

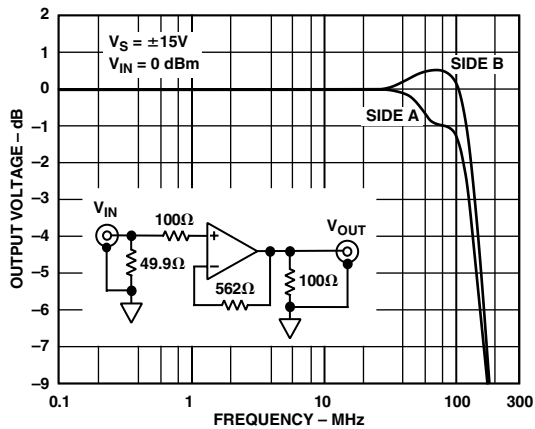


Figure 30. -3 dB Bandwidth vs. Frequency,  $G = +1$

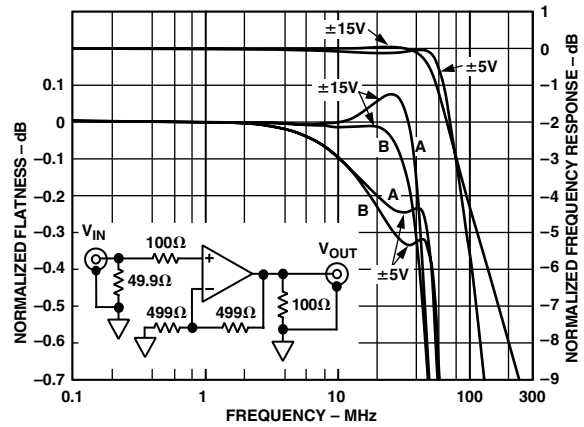


Figure 31. Bandwidth vs. Frequency,  $G = +2$

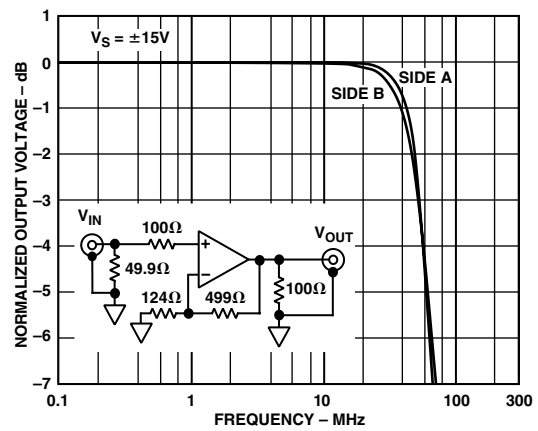


Figure 32. -3 dB Bandwidth vs. Frequency,  $G = +5$

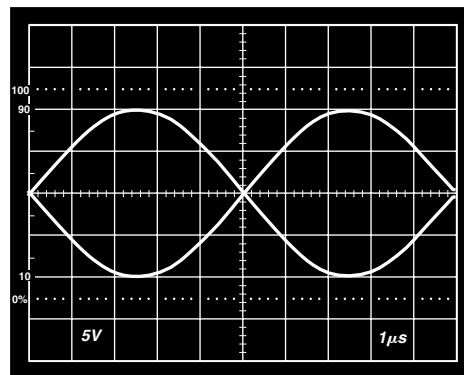


Figure 33. 40 V p-p Differential Sine Wave,  $R_L = 50\Omega$ ,  $f = 100 kHz$



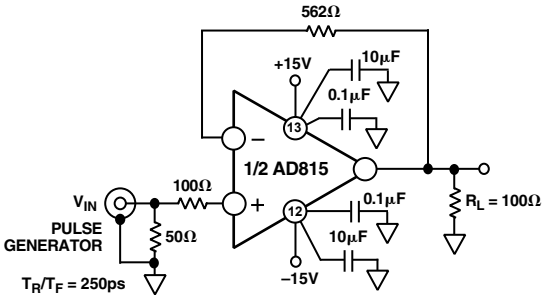


Figure 34. Test Circuit, Gain = +1

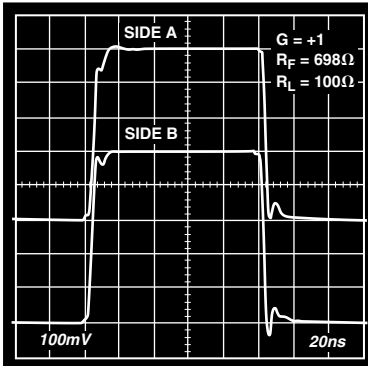


Figure 35. 500 mV Step Response, G = +1

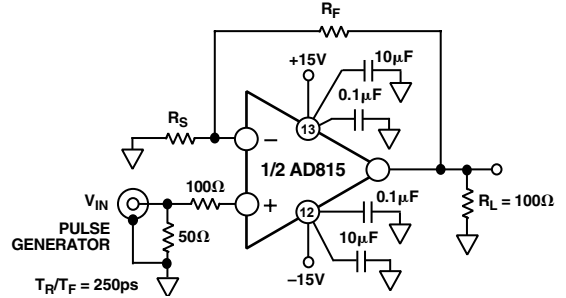


Figure 38. Test Circuit, Gain =  $1 + R_F/R_S$

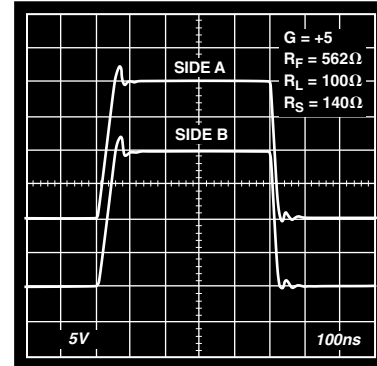


Figure 39. 20 V Step Response, G = +5

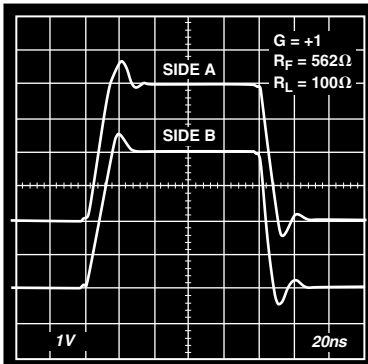


Figure 36. 4 V Step Response, G = +1

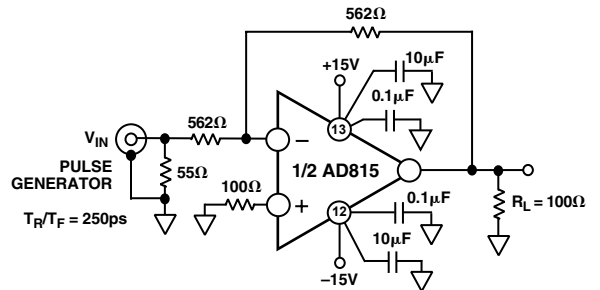


Figure 40. Test Circuit, Gain = -1

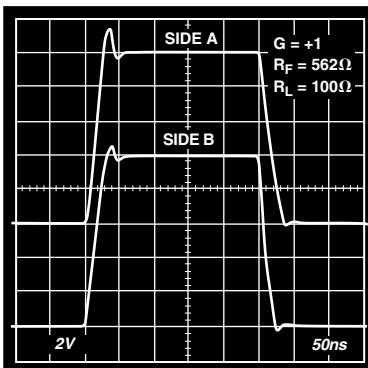


Figure 37. 10 V Step Response, G = +1

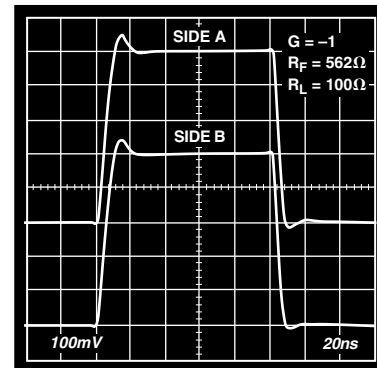


Figure 41. 500 mV Step Response, G = -1

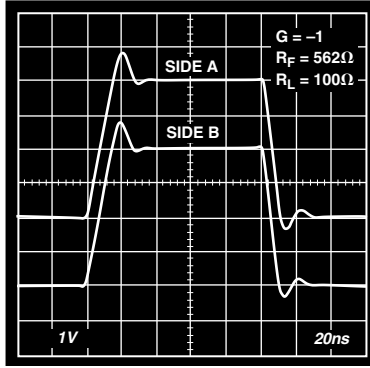


Figure 42. 4 V Step Response,  $G = -1$

**THEORY OF OPERATION**

The AD815 is a dual current feedback amplifier with high (500 mA) output current capability. Being a current feedback amplifier, the AD815’s open-loop behavior is expressed as transimpedance,  $\Delta V_O/\Delta I_{IN}$ , or  $T_Z$ . The open-loop transimpedance behaves just as the open-loop voltage gain of a voltage feedback amplifier, that is, it has a large dc value and decreases at roughly 6 dB/octave in frequency.

Since  $R_{IN}$  is proportional to  $1/g_M$ , the equivalent voltage gain is just  $T_Z \times g_M$ , where the  $g_M$  in question is the transconductance of the input stage. Using this amplifier as a follower with gain, Figure 43, basic analysis yields the following result:

$$\frac{V_O}{V_{IN}} = G \times \frac{T_Z(S)}{T_Z(S) + G \times R_{IN} + R_F}$$

where:

$$G = 1 + \frac{R_F}{R_G}$$

$$R_{IN} = 1/g_M \approx 25 \Omega$$

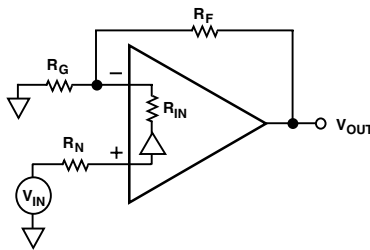


Figure 43. Current Feedback Amplifier Operation

Recognizing that  $G \times R_{IN} \ll R_F$  for low gains, it can be seen to the first order that bandwidth for this amplifier is independent of gain (G).

Considering that additional poles contribute excess phase at high frequencies, there is a minimum feedback resistance below which peaking or oscillation may result. This fact is used to determine the optimum feedback resistance,  $R_F$ . In practice parasitic capacitance at the inverting input terminal will also add phase in the feedback loop, so picking an optimum value for  $R_F$  can be difficult.

Achieving and maintaining gain flatness of better than 0.1 dB at frequencies above 10 MHz requires careful consideration of several issues.

**Choice of Feedback and Gain Resistors**

The fine scale gain flatness will, to some extent, vary with feedback resistance. It therefore is recommended that once optimum resistor values have been determined, 1% tolerance values should be used if it is desired to maintain flatness over a wide range of production lots. Table I shows optimum values for several useful configurations. These should be used as starting point in any application.

Table I. Resistor Values

	$R_F (\Omega)$	$R_G (\Omega)$
$G = +1$	562	$\infty$
$-1$	499	499
$+2$	499	499
$+5$	499	125
$+10$	1 k	110

**PRINTED CIRCUIT BOARD LAYOUT CONSIDERATIONS**

As to be expected for a wideband amplifier, PC board parasitics can affect the overall closed-loop performance. Of concern are stray capacitances at the output and the inverting input nodes. If a ground plane is to be used on the same side of the board as the signal traces, a space (5 mm min) should be left around the signal lines to minimize coupling.

**POWER SUPPLY BYPASSING**

Adequate power supply bypassing can be critical when optimizing the performance of a high frequency circuit. Inductance in the power supply leads can form resonant circuits that produce peaking in the amplifier’s response. In addition, if large current transients must be delivered to the load, then bypass capacitors (typically greater than 1  $\mu F$ ) will be required to provide the best settling time and lowest distortion. A parallel combination of 10.0  $\mu F$  and 0.1  $\mu F$  is recommended. Under some low frequency applications, a bypass capacitance of greater than 10  $\mu F$  may be necessary. Due to the large load currents delivered by the AD815, special consideration must be given to careful bypassing. The ground returns on both supply bypass capacitors as well as signal common must be “star” connected as shown in Figure 44.

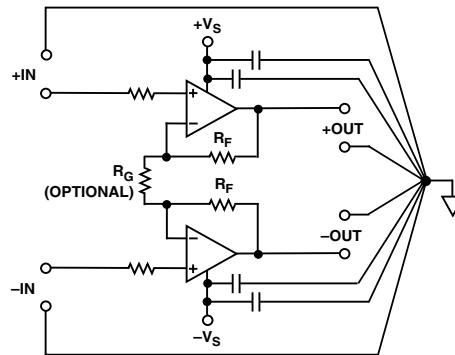


Figure 44. Signal Ground Connected in “Star” Configuration

**DC ERRORS AND NOISE**

There are three major noise and offset terms to consider in a current feedback amplifier. For offset errors refer to the equation below. For noise error the terms are root-sum-squared to give a net output error. In the circuit below (Figure 45), they are input offset ( $V_{IO}$ ) which appears at the output multiplied by the noise gain of the circuit ( $1 + R_F/R_G$ ), noninverting input current ( $I_{BN} \times R_N$ ) also multiplied by the noise gain, and the inverting input current, which when divided between  $R_F$  and  $R_G$  and subsequently multiplied by the noise gain always appear at the output as  $I_{BI} \times R_F$ . The input voltage noise of the AD815 is less than  $2 \text{ nV}/\sqrt{\text{Hz}}$ . At low gains though, the inverting input current noise times  $R_F$  is the dominant noise source. Careful layout and device matching contribute to better offset and drift specifications for the AD815 compared to many other current feedback amplifiers. The typical performance curves in conjunction with the equations below can be used to predict the performance of the AD815 in any application.

$$V_{OUT} = V_{IO} \times \left(1 + \frac{R_F}{R_G}\right) \pm I_{BN} \times R_N \times \left(1 + \frac{R_F}{R_G}\right) \pm I_{BI} \times R_F$$

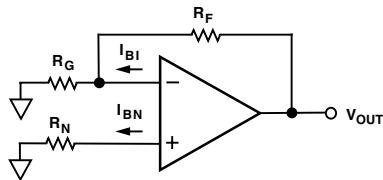


Figure 45. Output Offset Voltage

**POWER CONSIDERATIONS**

The 500 mA drive capability of the AD815 enables it to drive a  $50 \Omega$  load at 40 V p-p when it is configured as a differential driver. This implies a power dissipation,  $P_{IN}$ , of nearly 5 watts. To ensure reliability, the junction temperature of the AD815 should be maintained at less than  $175^\circ\text{C}$ . For this reason, the AD815 will require some form of heat sinking in most applications. The thermal diagram of Figure 46 gives the basic relationship between junction temperature ( $T_J$ ) and various components of  $\theta_{JA}$ .

$$T_J = T_A + P_{IN} \theta_{JA} \tag{Equation 1}$$

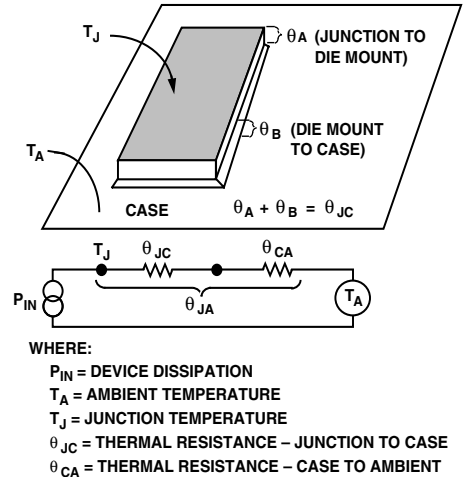


Figure 46. A Breakdown of Various Package Thermal Resistances

Figure 47 gives the relationship between output voltage swing into various loads and the power dissipated by the AD815 ( $P_{IN}$ ). This data is given for both sine wave and square wave (worst case) conditions. It should be noted that these graphs are for mostly resistive (phase  $< \pm 10^\circ$ ) loads.

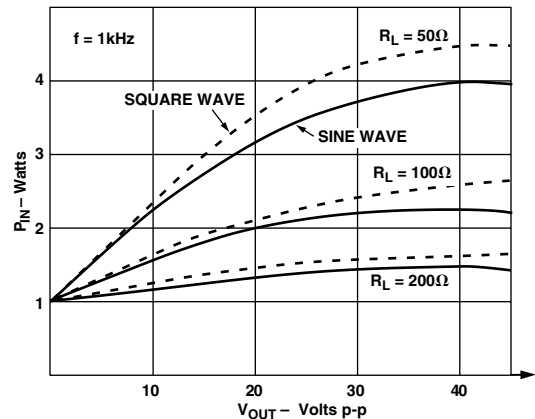


Figure 47. Total Power Dissipation vs. Differential Output Voltage

# AD815

## Other Power Considerations

There are additional power considerations applicable to the AD815. First, as with many current feedback amplifiers, there is an increase in supply current when delivering a large peak-to-peak voltage to a resistive load at high frequencies. This behavior is affected by the load present at the amplifier's output. Figure 15 summarizes the full power response capabilities of the AD815. These curves apply to the differential driver applications (e.g., Figure 51 or Figure 55). In Figure 15, maximum continuous peak-to-peak output voltage is plotted vs. frequency for various resistive loads. Exceeding this value on a continuous basis can damage the AD815.

The AD815 is equipped with a thermal shutdown circuit. This circuit ensures that the temperature of the AD815 die remains below a safe level. In normal operation, the circuit shuts down the AD815 at approximately 180°C and allows the circuit to turn back on at approximately 140°C. This built-in hysteresis means that a sustained thermal overload will cycle between power-on and power-off conditions. The thermal cycling typically occurs at a rate of 1 ms to several seconds, depending on the power dissipation and the thermal time constants of the package and heat sinking. Figures 48 and 49 illustrate the thermal shutdown operation after driving OUT1 to the + rail, and OUT2 to the - rail, and then short-circuiting to ground each output of the AD815. The AD815 will not be damaged by momentary operation in this state, but the overload condition should be removed.

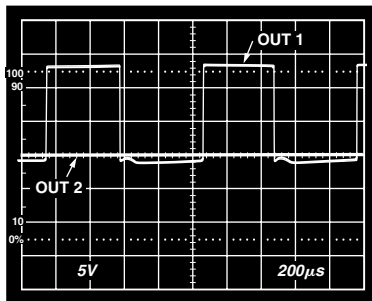


Figure 48. OUT2 Shorted to Ground, Square Wave Is OUT1,  $R_F = 1\text{ k}\Omega$ ,  $R_G = 222\ \Omega$

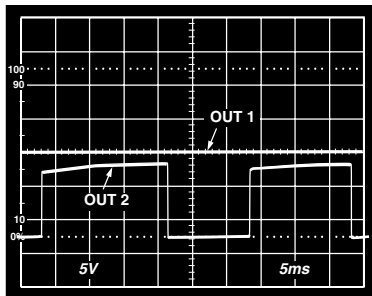


Figure 49. OUT1 Shorted to Ground, Square Wave Is OUT2,  $R_F = 1\text{ k}\Omega$ ,  $R_G = 222\ \Omega$

## Parallel Operation

To increase the drive current to a load, both of the amplifiers within the AD815 can be connected in parallel. Each amplifier should be set for the same gain and driven with the same signal. In order to ensure that the two amplifiers share current,

a small resistor should be placed in series with each output. See Figure 50. This circuit can deliver 800 mA into loads of up to 12.5  $\Omega$ .

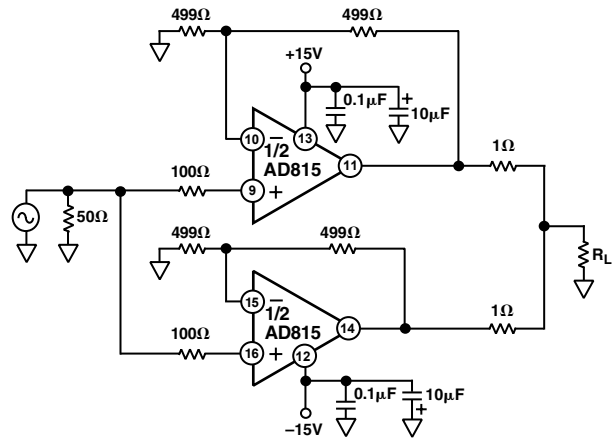


Figure 50. Parallel Operation for High Current Output

## Differential Operation

Various circuit configurations can be used for differential operation of the AD815. If a differential drive signal is available, the two halves can be used in a classic instrumentation configuration to provide a circuit with differential input and output. The circuit in Figure 51 is an illustration of this. With the resistors shown, the gain of the circuit is 11. The gain can be changed by changing the value of  $R_G$ . This circuit, however, provides no common-mode rejection.

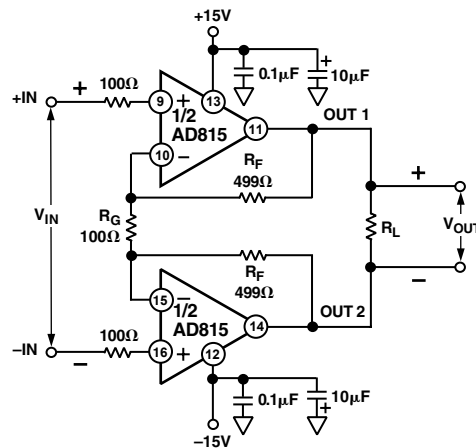


Figure 51. Fully Differential Operation

## Creating Differential Signals

If only a single ended signal is available to drive the AD815 and a differential output signal is desired, several circuits can be used to perform the single-ended-to-differential conversion.

One circuit to perform this is to use a dual op amp as a predriver that is configured as a noninverter and inverter. The circuit shown in Figure 52 performs this function. It uses an AD826 dual op amp with the gain of one amplifier set at +1 and the gain of the other at -1. The 1 k $\Omega$  resistor across the input terminals of the follower makes the noise gain ( $NG = 1$ ) equal to the inverter's. The two outputs then differentially drive the inputs to the AD815 with no common-mode signal to first order.

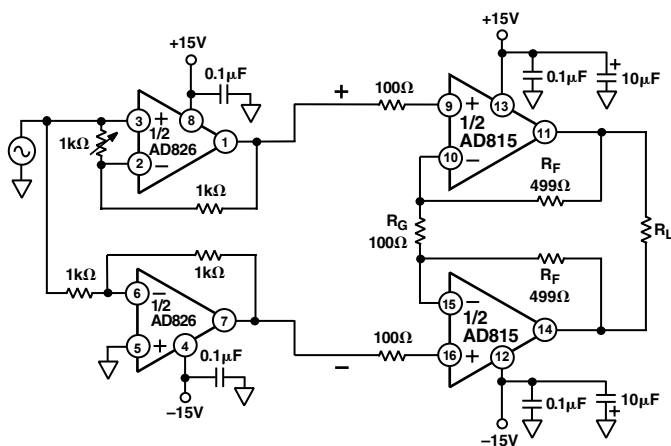


Figure 52. Differential Driver with Single-Ended Differential Converter

Another means for creating a differential signal from a single-ended signal is to use a transformer with a center-tapped secondary. The center tap of the transformer is grounded and the two secondary windings are connected to obtain opposite polarity signals to the two inputs of the AD815 amplifiers. The bias currents for the AD815 inputs are provided by the center tap ground connection through the transformer windings.

One advantage of using a transformer is its ability to provide isolation between circuit sections and to provide good common-mode rejection. The disadvantages are that transformers have no dc response and can sometimes be large, heavy, and expensive. This circuit is shown in Figure 53.

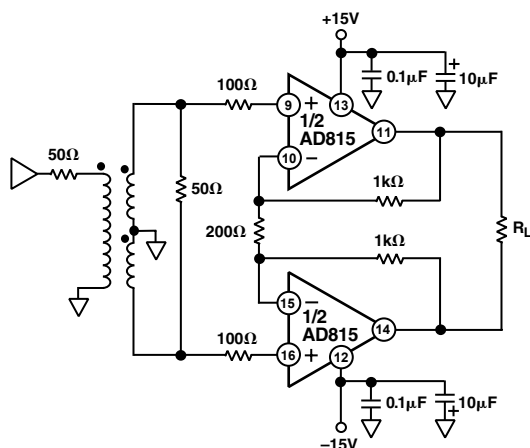


Figure 53. Differential Driver with Transformer Input

#### Direct Single-Ended-to-Differential Conversion

Two types of circuits can create a differential output signal from a single-ended input without the use of any other components than resistors. The first of these is illustrated in Figure 54.

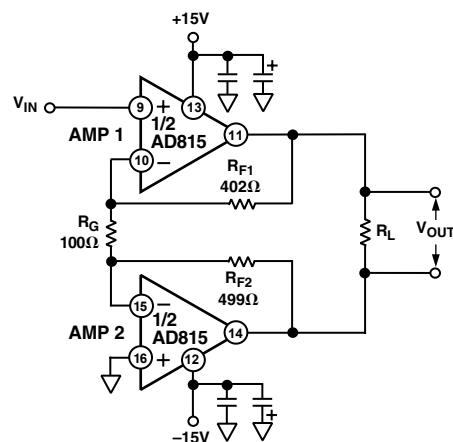


Figure 54. Direct Single-Ended-to-Differential Conversion

Amp 1 has its + input driven with the input signal, while the + input of Amp 2 is grounded. Thus the – input of Amp 2 is driven to virtual ground potential by its output. Therefore Amp 1 is configured for a noninverting gain of five,  $(1 + R_{F1}/R_G)$ , because  $R_G$  is connected to the virtual ground of Amp 2's – input.

When the + input of Amp 1 is driven with a signal, the same signal appears at the – input of Amp 1. This signal serves as an input to Amp 2 configured for a gain of –5,  $(-R_{F2}/R_G)$ . Thus the two outputs move in opposite directions with the same gain and create a balanced differential signal.

This circuit can work at various gains with proper resistor selection. But in general, in order to change the gain of the circuit, at least two resistor values will have to be changed. In addition, the noise gain of the two op amps in this configuration will always be different by one, so the bandwidths will not match.

A second circuit that has none of the disadvantages mentioned in the above circuit creates a differential output voltage feedback op amp out of the pair of current feedback op amps in the AD815. This circuit, drawn in Figure 55, can be used as a high power differential line driver, such as required for ADSL (asymmetrical digital subscriber loop) line driving.

Each of the AD815's op amps is configured as a unity gain follower by the feedback resistors ( $R_A$ ). Each op amp output also drives the other as a unity gain inverter via the two  $R_B$ s, creating a totally symmetrical circuit.

If the + input to Amp 2 is grounded and a small positive signal is applied to the + input of Amp 1, the output of Amp 1 will be driven to saturation in the positive direction and the output of Amp 2 driven to saturation in the negative direction. This is similar to the way a conventional op amp behaves without any feedback.

# AD815

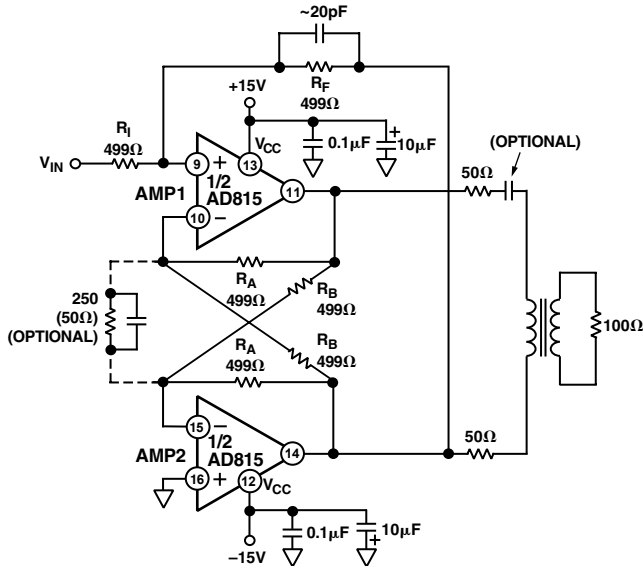


Figure 55. Single-Ended-to-Differential Driver

If a resistor ( $R_F$ ) is connected from the output of Amp 2 to the + input of Amp 1, negative feedback is provided which closes the loop. An input resistor ( $R_I$ ) will make the circuit look like a conventional inverting op amp configuration with differential outputs. The inverting input to this dual output op amp becomes Pin 4, the positive input of Amp 1.

The gain of this circuit from input to either output will be  $\pm R_F/R_I$ . Or the single-ended-to-differential gain will be  $2 \times R_F/R_I$ .

The differential outputs can be applied to the primary of a transformer. If each output can swing  $\pm 10$  V, the effective swing on the transformer primary is 40 V p-p. The optional capacitor can be added to prevent any dc current in the transformer due to dc offsets at the output of the AD815.

## Twelve Channel Video Distribution Amplifier

The high current of the AD815 enables it to drive up to twelve standard 75  $\Omega$  reverse terminated video loads. Figure 56 is a schematic of such an application.

The input video signal is terminated in 75  $\Omega$  and applied to the noninverting inputs of both amplifiers of the AD815. Each amplifier is configured for a gain of two to compensate for the divide-by-two feature of each cable termination. Six separate 75  $\Omega$  resistors for each amplifier output are used for the cable back termination. In this manner, all cables are relatively independent of each other and small disturbances on any cable will not have an effect on the other cables.

When driving six video cables in this fashion, the load seen by each amplifier output is resistive and is equal to  $150 \Omega/6$  or 25  $\Omega$ . The differential gain is 0.05% and the differential phase is  $0.45^\circ$ .

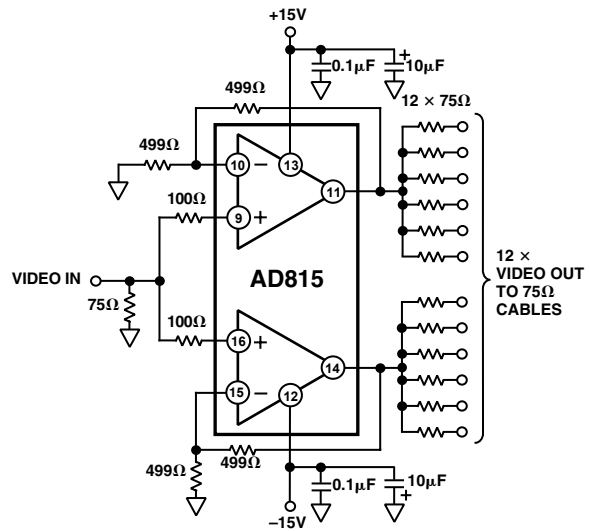
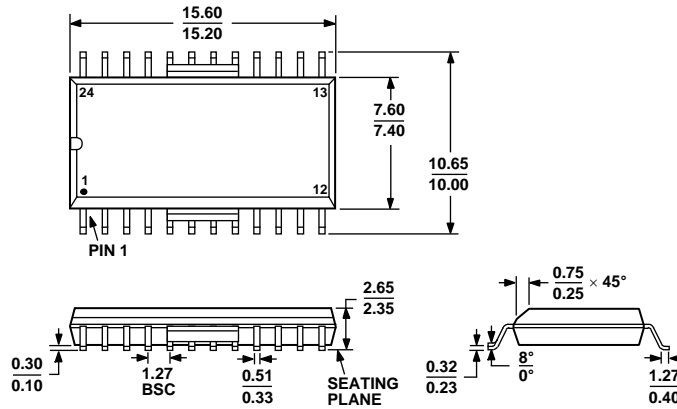


Figure 56. AD815 Video Distribution Amp Driving 12 Video Cables

# OUTLINE DIMENSIONS



COMPLIANT WITH JEDEC STANDARDS MS-013-AD

Figure 57. 24-Lead Batwing SOIC, Thermally Enhanced w/Fused Leads [SOIC\_W\_BAT] (RB-24)  
Dimensions shown in millimeters

## ORDERING GUIDE

Model <sup>1</sup>	Temperature Range	Package Description	Package Option
AD815ARBZ-24	-40°C to +85°C	24-Lead Batwing SOIC, Thermally Enhanced w/Fused Leads [SOIC_W_BAT]	RB-24
AD815ARBZ-24-REEL	-40°C to +85°C	24-Lead Batwing SOIC, Thermally Enhanced w/Fused Leads [SOIC_W_BAT]	RB-24

<sup>1</sup> Z = RoHS Compliant Part.

## REVISION HISTORY

### 6/15—Rev. C to Rev. D

- Changes to Figure 34, Figure 38, and Figure 40.....9
- Changes to Figure 50 and Figure 51 .....12
- Changes to Figure 52, Figure 53, and Figure 54.....13
- Changes to Figure 55 and Figure 56 .....14
- Changes to Ordering Guide.....15
- Updated Outline Dimensions.....15

### 4/05—Rev. B to Rev. C

- Changes to Features ..... 1
- Changes to Figure numbering..... Universal
- Changes to General Description ..... 1
- Deleted VR-15, Y-15, and YS-15 Packages ..... Universal
- Changes to Power Considerations section.....11
- Deleted Figure 45 .....11
- Deleted Figures 55, 56, 57, and 58.....14
- Updated Outline Dimensions.....16

# Mouser Electronics

Authorized Distributor

Click to View Pricing, Inventory, Delivery & Lifecycle Information:

[Analog Devices Inc.:](#)

[AD815ARBZ-24](#) [AD815ARBZ-24-REEL](#)