

**FEATURES****74.25 MHz 16-/24-bit high definition input support**

Compliant with SMPTE 274M (1080i), 296M (720p), and 240M (1035i)

**Six 11-bit, 297 MHz video DACs**

16× (216 MHz) DAC oversampling for SD

8× (216 MHz) DAC oversampling for ED

4× (297 MHz) DAC oversampling for HD

37 mA maximum DAC output current

**NTSC M, PAL B/D/G/H/I/M/N, PAL 60 support****NTSC and PAL square pixel operation (24.54 MHz/29.5 MHz)****Multiformat video input support**

4:2:2 YCrCb (SD, ED, and HD), 4:4:4 YCrCb (ED and HD), and 4:4:4 RGB (SD, ED, and HD)

**Multiformat video output support**

Composite (CVBS) and S-Video (Y-C)

Component YPrPb (SD, ED, and HD)

Component RGB (SD, ED, and HD)

**Macrovision Rev 7.1.L1 (SD) and Rev 1.2 (ED) compliant****Simultaneous SD and ED/HD operation****EIA/CEA-861B compliance support****Copy generation management system (CGMS)****Closed captioning and wide screen signaling (WSS)****Integrated subcarrier locking to external video source****Complete on-chip video timing generator****On-chip test pattern generation****On-board voltage reference (optional external input)****Programmable features**

Luma and chroma filter responses

Vertical blanking interval (VBI)

Subcarrier frequency ( $F_{sc}$ ) and phase

Luma delay

**High definition (HD) programmable features**

(720p/1080i/1035i)

4× oversampling (297 MHz)

Internal test pattern generator

Fully programmable YCrCb to RGB matrix

Gamma correction

Programmable adaptive filter control

Programmable sharpness filter control

CGMS (720p/1080i) and CGMS Type B (720p/1080i)

Undershoot limiter

Dual data rate (DDR) input support

**Enhanced definition(ED) programmable features**

(525p/625p)

8× oversampling (216 MHz output)

Internal test pattern generator

Black bar, hatch, flat field/frame

Individual Y and PrPb output delay

Gamma correction

Programmable adaptive filter control

Fully programmable YCrCb to RGB matrix

Undershoot limiter

Macrovision Rev 1.2 (525p/625p) (ADV7342 only)

CGMS (525p/625p) and CGMS Type B (525p)

Dual data rate (DDR) input support

**Standard definition (SD) programmable features**

16× oversampling (216 MHz)

Internal test pattern generator

Color and black bar

Controlled edge rates for start and end of active video

Individual Y and PrPb output delay

Undershoot limiter

Gamma correction

Digital noise reduction (DNR)

Multiple chroma and luma filters

Luma-SSAF filter with programmable gain/attenuation

PrPb SSAF

Separate pedestal control on component and composite/S-Video output

VCR FF/RW sync mode

Macrovision Rev 7.1.L1 (ADV7342 only)

Copy generation management system (CGMS)

Wide screen signaling

Closed captioning

**Serial MPU interface with I<sup>2</sup>C compatibility**

3.3 V analog operation, 1.8 V digital operation, and 1.8 V or

3.3 V I/O operation

Temperature range: -40°C to +85°C

Qualified for automotive applications

**APPLICATIONS**

DVD recorders and players

High definition Blu-ray DVD players

## TABLE OF CONTENTS

|  |    |   |    |
|--|----|---|----|
| Features .....   | 1  | SD Subcarrier Frequency Lock.....                                       | 53 |
| Applications.....  | 1  | SD VCR FF/RW Sync .....   | 54 |
| Revision History .....   | 4  | Vertical Blanking Interval .....  | 54 |
| General Description .....  | 5  | SD Subcarrier Frequency Control.....                                    | 54 |
| Functional Block Diagram .....   | 6  | SD Noninterlaced Mode.....  | 54 |
| Specifications.....  | 7  | SD Square Pixel Mode .....  | 55 |
| Power Supply and Voltage Specifications.....   | 7  | Filters.....  | 56 |
| Voltage Reference Specifications .....   | 7  | ED/HD Test Pattern Color Controls .....                                 | 57 |
| Input Clock Specifications .....   | 7  | Color Space Conversion Matrix .....                                     | 57 |
| Analog Output Specifications.....  | 8  | SD Luma and Color Scale Control.....                                    | 59 |
| Digital Input/Output Specifications—3.3 V .....  | 8  | SD Hue Adjust Control.....  | 59 |
| Digital Input/Output Specifications—1.8 V .....  | 8  | SD Brightness Detect .....  | 59 |
| Digital Timing Specifications—3.3 V .....  | 9  | SD Brightness Control .....   | 59 |
| Digital Timing Specifications—1.8 V .....  | 10 | SD Input Standard Autodetection.....                                    | 60 |
| MPU Port Timing Specifications .....   | 11 | Double Buffering.....   | 61 |
| Power Specifications .....   | 11 | Programmable DAC Gain Control .....                                     | 61 |
| Video Performance Specifications .....   | 12 | Gamma Correction .....  | 61 |
| Timing Diagrams.....   | 13 | ED/HD Sharpness Filter and Adaptive Filter Controls.....                | 63 |
| Absolute Maximum Ratings.....  | 20 | ED/HD Sharpness Filter and Adaptive Filter Application<br>Examples..... | 64 |
| Thermal Resistance .....   | 20 | SD Digital Noise Reduction .....  | 65 |
| ESD Caution.....   | 20 | SD Active Video Edge Control .....                                      | 66 |
| Pin Configuration and Function Descriptions.....   | 21 | External Horizontal and Vertical Synchronization Control ...            | 68 |
| Typical Performance Characteristics .....  | 23 | Low Power Mode.....   | 69 |
| MPU Port Description .....   | 28 | Cable Detection .....   | 69 |
| I <sup>2</sup> C Operation.....  | 28 | DAC Autopower-Down.....   | 69 |
| Register Map Access.....   | 30 | Sleep Mode .....  | 70 |
| Register Programming.....  | 30 | Pixel and Control Port Readback.....                                    | 70 |
| Subaddress Register (SR7 to SR0) .....   | 30 | Reset Mechanism.....  | 70 |
| Input Configuration .....  | 48 | SD Teletext Insertion .....   | 70 |
| Standard Definition Only.....  | 48 | Printed Circuit Board Layout and Design .....                           | 72 |
| Enhanced Definition/High Definition Only .....   | 49 | Unused Pins .....   | 72 |
| Simultaneous Standard Definition and Enhanced<br>Definition/High Definition.....             | 49 | DAC Configurations .....  | 72 |
| Enhanced Definition Only (at 54 MHz) .....   | 50 | Voltage Reference .....   | 72 |
| Output Configuration .....   | 51 | Video Output Buffer and Optional Output Filter.....                     | 72 |
| Design Features.....   | 52 | Printed Circuit Board (PCB) Layout .....                                | 73 |
| Output Oversampling.....   | 52 | Typical Application Circuit.....  | 75 |
| HD Interlace External $\overline{P\_HSYNC}$ and $\overline{P\_VSYNC}$<br>Considerations..... | 53 | Copy Generation Management System.....                                  | 76 |
| ED/HD Timing Reset .....   | 53 | SD CGMS .....   | 76 |
|  |    | ED CGMS.....  | 76 |

|  |    |                                 |     |
|--|----|---------------------------------|-----|
| HD CGMS.....                               | 76 | ED/HD YPrPb Output Levels ..... | 89  |
| CGMS CRC Functionality .....               | 76 | SD/ED/HD RGB Output Levels..... | 90  |
| SD Wide Screen Signaling.....              | 79 | SD Output Plots .....           | 91  |
| SD Closed Captioning .....                 | 80 | Video Standards .....           | 92  |
| Internal Test Pattern Generation.....      | 81 | Configuration Scripts .....     | 94  |
| SD Test Patterns.....                      | 81 | Standard Definition .....       | 94  |
| ED/HD Test Patterns .....                  | 81 | Enhanced Definition .....       | 98  |
| SD Timing .....                            | 82 | High Definition .....           | 101 |
| HD Timing.....                             | 87 | Outline Dimensions.....         | 106 |
| Video Output Levels .....                  | 88 | Ordering Guide .....            | 106 |
| SD YPrPb Output Levels—SMPTE/EBU N10 ..... | 88 | Automotive Products.....        | 106 |

**REVISION HISTORY**

|  |           |
|--|-----------|
| <b>7/15—Rev. D to Rev. E</b>   |           |
| Changes to Features Section.....   | 1         |
| Changes to Ordering Guide .....  | 106       |
| Added Automotive Products Section.....   | 106       |
| <b>3/12—Rev. C to Rev. D</b>   |           |
| Changed ADV7340/ADV7341 to ADV7342/ADV7343.....  | 70        |
| <b>3/12—Rev. B to Rev. C</b>   |           |
| Reorganized Layout.....  | Universal |
| Change to Features Section .....   | 1         |
| Moved Revision History Section.....  | 4         |
| Change to Table 1 .....  | 5         |
| Changes to Digital Input/Output Specifications—  |           |
| 1.8 V Section .....  | 8         |
| Changes to Table 15.....   | 21        |
| Changes to Table 21.....   | 33        |
| Changes to Table 24.....   | 36        |
| Changes to Table 29.....   | 41        |
| Changes to Table 30.....   | 42        |
| Changes to 24-Bit 4:4:4 RGB Mode Section .....   | 48        |
| Deleted ED/HD Nonstandard Timing Mode Section, Figure 59,<br>and Table 42, Renumbered Sequentially .....   | 50        |
| Deleted Subaddress 0x84, Bits[2:1] Section, Timing Reset (TR)<br>Mode Section, Subcarrier Phase Reset (SCR) Mode Section, and<br>Figure 60 ..... | 51        |
| Deleted Figure 61.....   | 52        |
| Added External Sync Polarity Section .....   | 52        |
| Changed SD Subcarrier Frequency Lock, Subcarrier Phase<br>Reset, and Timing Reset Section to SD Subcarrier Frequency<br>Lock Section .....       | 53        |
| Changes to ED/HD Test Patterns Section .....   | 81        |
| <b>9/11—Rev. A to Rev. B</b>   |           |
| Changes to MPU Port Description Section .....  | 27        |
| <b>3/09—Rev. 0 to Rev. A</b>   |           |
| Changes to Features Section.....   | 1         |
| Deleted Detailed Features Section, Changes to Table 1.....   | 4         |
| Changes to Figure 1.....   | 5         |
| Changes to Table 6.....  | 7         |
| Added Digital Input/Output Specifications—1.8 V Section and<br>Table 7 .....   | 7         |
| Changes to Digital Timing Specifications—3.3 V Section and<br>Table 8 .....  | 8         |
| Added Table 9.....   | 9         |
| Changes to MPU Port Timing Specifications Section,<br>Default Conditions .....   | 10        |
| Deleted Figure 20.....   | 18        |
| Changes to Table 13 .....  | 19        |
| Changes to Table 15 .....  | 20        |
| Changes to MPU Port Description Section .....  | 27        |
| Changes to I <sup>2</sup> C Operation Section .....  | 27        |
| Added Table 16 .....   | 27        |
| Added Figure 49 .....  | 28        |
| Changes to Table 17 .....  | 29        |
| Changes to Table 18 .....  | 29        |
| Changes to Table 21, 0x30 Bit Description .....  | 32        |
| Changes to Table 29 .....  | 39        |
| Changes to Table 30 .....  | 40        |
| Changes to Table 31, 0xA0 Register Name .....  | 42        |
| Changes to Table 32 .....  | 43        |
| Added Table 33 and Table 34.....   | 44        |
| Changes to Standard Definition Only Section .....  | 46        |
| Added Figure 52 .....  | 47        |
| Changes to Figure 53.....  | 47        |
| Changes to Figure 56, Figure 57, and Figure 58.....  | 48        |
| Renamed Features Section to Design Features Section.....   | 50        |
| Changes to ED/HD Nonstandard Timing Mode Section.....  | 50        |
| Changes to Figure 60.....  | 51        |
| Added HD Interlace External $\overline{P\_HSYNC}$ and $\overline{P\_VSYNC}$<br>Considerations Section .....                                      | 51        |
| Changes to SD Subcarrier Frequency Lock, Subcarrier Phase<br>Reset, and Timing Reset Section .....   | 51        |
| Changes to Programming the F <sub>SC</sub> Section.....  | 53        |
| Changes to Subaddress 0x8C to Subaddress 0x8F Section.....   | 53        |
| Changes to Subaddress 0x82, Bit 4 Section.....   | 53        |
| Added SD Manual CSC Matrix Adjust Feature Section.....   | 56        |
| Changes to Subaddress 0x9C to Subaddress 0x9F Section.....   | 57        |
| Changes to SD Brightness Detect Section.....   | 58        |
| Changes to Figure 71.....  | 60        |
| Added Sleep Mode Section .....   | 68        |
| Changes to Pixel and Control Port Readback Section .....   | 68        |
| Added SD Teletext Insertion Section.....   | 68        |
| Added Unused Pins Section.....   | 70        |
| Added Figure 86 and Figure 87 .....  | 70        |
| Changes to Power Supply Sequencing Section.....  | 72        |
| Changes to Figure 94.....  | 75        |
| Changes to SD Wide Screen Signaling Section .....  | 77        |
| Changes to Internal Test Pattern Generation Section .....  | 79        |
| Changes to SD Timing, Mode 0 (CCIR-656)—Slave Option<br>(Subaddress 0x8A = XXXXX000) Section.....  | 80        |
| Added Configuration Scripts Section.....   | 92        |
| <b>10/06—Revision 0: Initial Version</b>   |           |

**GENERAL DESCRIPTION**

The [ADV7342/ADV7343](#) are high speed, digital-to-analog video encoders in a 64-lead LQFP package. Six high speed, 3.3 V, 11-bit video DACs provide support for composite (CVBS), S-Video (Y-C), and component (YPrPb/RGB) analog outputs in standard definition (SD), enhanced definition (ED), or high definition (HD) video formats.

The [ADV7342/ADV7343](#) have a 24-bit pixel input port that can be configured in a variety of ways. SD video formats are supported over an SDR interface, and ED/HD video formats are supported over SDR and DDR interfaces. Pixel data can be supplied in either the YCrCb or RGB color spaces.

The parts also support embedded EAV/SAV timing codes, external video synchronization signals, and I<sup>2</sup>C<sup>®</sup> communication protocol.

In addition, simultaneous SD and ED/HD input and output are supported. Full-drive DACs ensure that external output buffering is not required, while 216 MHz (SD and ED) and 297 MHz (HD) oversampling ensures that external output filtering is not required.

Cable detection and DAC autopower-down features keep power consumption to a minimum.

Table 1 lists the video standards directly supported by the [ADV7342/ADV7343](#).

**Table 1. Standards Directly Supported by the [ADV7342/ADV7343](#)**

| Active Resolution | I/P <sup>1</sup> | Frame Rate (Hz)        | Clock Input (MHz) | Standard             |
|-------------------|------------------|------------------------|-------------------|----------------------|
| 720 × 240         | P                | 59.94                  | 27                |                      |
| 720 × 288         | P                | 50                     | 27                |                      |
| 720 × 480         | I                | 29.97                  | 27                | ITU-R<br>BT.601/656  |
| 720 × 576         | I                | 25                     | 27                | ITU-R<br>BT.601/656  |
| 640 × 480         | I                | 29.97                  | 24.54             | NTSC Square<br>Pixel |
| 768 × 576         | I                | 25                     | 29.5              | PAL Square<br>Pixel  |
| 720 × 483         | P                | 59.94                  | 27                | SMPTE 293M           |
| 720 × 483         | P                | 59.94                  | 27                | BTA T-1004           |
| 720 × 483         | P                | 59.94                  | 27                | ITU-R BT.1358        |
| 720 × 576         | P                | 50                     | 27                | ITU-R BT.1358        |
| 720 × 483         | P                | 59.94                  | 27                | ITU-R BT.1362        |
| 720 × 576         | P                | 50                     | 27                | ITU-R BT.1362        |
| 1920 × 1035       | I                | 30                     | 74.25             | SMPTE 240M           |
| 1920 × 1035       | I                | 29.97                  | 74.1758           | SMPTE 240M           |
| 1280 × 720        | P                | 60, 50, 30,<br>25, 24  | 74.25             | SMPTE 296M           |
| 1280 × 720        | P                | 23.97,<br>59.94, 29.97 | 74.1758           | SMPTE 296M           |
| 1920 × 1080       | I                | 30, 25                 | 74.25             | SMPTE 274M           |
| 1920 × 1080       | I                | 29.97                  | 74.1758           | SMPTE 274M           |
| 1920 × 1080       | P                | 30, 25, 24             | 74.25             | SMPTE 274M           |
| 1920 × 1080       | P                | 23.98, 29.97           | 74.1758           | SMPTE 274M           |
| 1920 × 1080       | P                | 24                     | 74.25             | ITU-R BT.709-5       |

<sup>1</sup>I = interlaced, P = progressive.

FUNCTIONAL BLOCK DIAGRAM

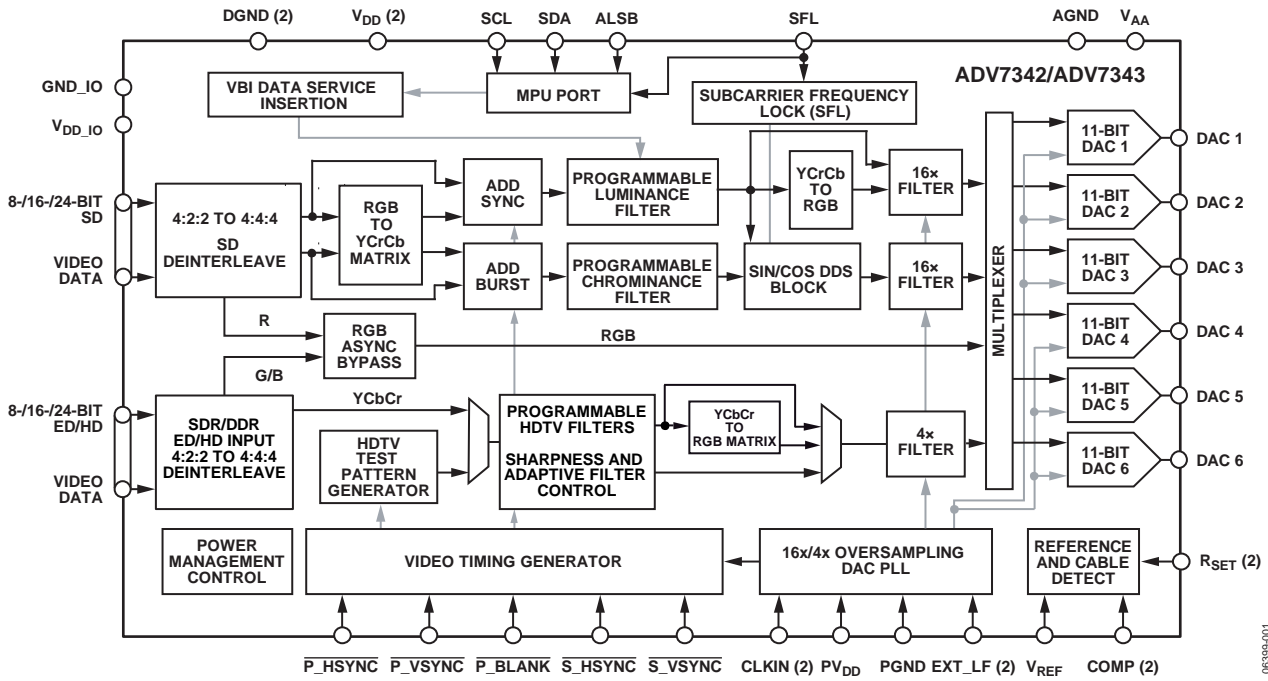


Figure 1.

06399-001

## SPECIFICATIONS

### POWER SUPPLY AND VOLTAGE SPECIFICATIONS

All specifications  $T_{MIN}$  to  $T_{MAX}$  ( $-40^{\circ}\text{C}$  to  $+85^{\circ}\text{C}$ ), unless otherwise noted.

Table 2.

| Parameter                    | Min  | Typ   | Max   | Unit |
|------------------------------|------|-------|-------|------|
| SUPPLY VOLTAGES              |      |       |       |      |
| $V_{DD}$                     | 1.71 | 1.8   | 1.89  | V    |
| $V_{DD\_IO}$                 | 1.71 | 3.3   | 3.63  | V    |
| $PV_{DD}$                    | 1.71 | 1.8   | 1.89  | V    |
| $V_{AA}$                     | 2.6  | 3.3   | 3.465 | V    |
| POWER SUPPLY REJECTION RATIO |      | 0.002 |       | %/%  |

### VOLTAGE REFERENCE SPECIFICATIONS

All specifications  $T_{MIN}$  to  $T_{MAX}$  ( $-40^{\circ}\text{C}$  to  $+85^{\circ}\text{C}$ ), unless otherwise noted.

Table 3.

| Parameter                               | Min   | Typ      | Max  | Unit          |
|---|-------|----------|------|---------------|
| Internal Reference Range, $V_{REF}$     | 1.186 | 1.248    | 1.31 | V             |
| External Reference Range, $V_{REF}$     | 1.15  | 1.235    | 1.31 | V             |
| External $V_{REF}$ Current <sup>1</sup> |       | $\pm 10$ |      | $\mu\text{A}$ |

<sup>1</sup> External current required to overdrive internal  $V_{REF}$ .

### INPUT CLOCK SPECIFICATIONS

$V_{DD} = 1.71\text{ V to }1.89\text{ V}$ ,  $PV_{DD} = 1.71\text{ V to }1.89\text{ V}$ ,  $V_{AA} = 2.6\text{ V to }3.465\text{ V}$ ,  $V_{DD\_IO} = 1.71\text{ V to }3.63\text{ V}$ .

All specifications  $T_{MIN}$  to  $T_{MAX}$  ( $-40^{\circ}\text{C}$  to  $+85^{\circ}\text{C}$ ), unless otherwise noted.

Table 4.

| Parameter                             | Conditions <sup>1</sup> | Min | Typ   | Max | Unit                 |
|---------------------------------------|-------------------------|-----|-------|-----|----------------------|
| $f_{CLKIN\_A}$                        | SD/ED                   |     | 27    |     | MHz                  |
| $f_{CLKIN\_A}$                        | ED (at 54 MHz)          |     | 54    |     | MHz                  |
| $f_{CLKIN\_A}$                        | HD                      |     | 74.25 |     | MHz                  |
| $f_{CLKIN\_B}$                        | ED                      |     | 27    |     | MHz                  |
| $f_{CLKIN\_B}$                        | HD                      |     | 74.25 |     | MHz                  |
| CLKIN_A High Time, $t_9$              |                         | 40  |       |     | % of one clock cycle |
| CLKIN_A Low Time, $t_{10}$            |                         | 40  |       |     | % of one clock cycle |
| CLKIN_B High Time, $t_9$              |                         | 40  |       |     | % of one clock cycle |
| CLKIN_B Low Time, $t_{10}$            |                         | 40  |       |     | % of one clock cycle |
| CLKIN_A Peak-to-Peak Jitter Tolerance |                         |     | 2     |     | $\pm\text{ns}$       |
| CLKIN_B Peak-to-Peak Jitter Tolerance |                         |     | 2     |     | $\pm\text{ns}$       |

<sup>1</sup> SD = standard definition, ED = enhanced definition (525p/625p), HD = high definition.

**ANALOG OUTPUT SPECIFICATIONS**

$V_{DD} = 1.71\text{ V to }1.89\text{ V}$ ,  $PV_{DD} = 1.71\text{ V to }1.89\text{ V}$ ,  $V_{AA} = 2.6\text{ V to }3.465\text{ V}$ ,  $V_{DD\_IO} = 1.71\text{ V to }3.63\text{ V}$ ,  $V_{REF} = 1.235\text{ V}$  (driven externally).  
All specifications  $T_{MIN}$  to  $T_{MAX}$  ( $-40^{\circ}\text{C to }+85^{\circ}\text{C}$ ), unless otherwise noted.

Table 5.

| Parameter  | Conditions   | Min | Typ  | Max | Unit |
|--|--|-----|------|-----|------|
| Full-Drive Output Current (Full-Scale)             | $R_{SET} = 510\ \Omega$ , $R_L = 37.5\ \Omega$<br>DAC 1, DAC 2, DAC 3 enabled <sup>1</sup> | 33  | 34.6 | 37  | mA   |
|  | $R_{SET} = 510\ \Omega$ , $R_L = 37.5\ \Omega$<br>DAC 1 enabled only <sup>2</sup>          | 33  | 33.5 | 37  | mA   |
| Low-Drive Output Current (Full-Scale) <sup>3</sup> | $R_{SET} = 4.12\ \text{k}\Omega$ , $R_L = 300\ \Omega$                                     | 4.1 | 4.3  | 4.5 | mA   |
| DAC-to-DAC Matching                                | DAC 1 to DAC 6   |     | 1.0  |     | %    |
| Output Compliance, $V_{OC}$                        |  | 0   |      | 1.4 | V    |
| Output Capacitance, $C_{OUT}$                      | DAC 1, DAC 2, DAC 3  |     | 10   |     | pF   |
|  | DAC 4, DAC 5, DAC 6  |     | 6    |     | pF   |
| Analog Output Delay <sup>4</sup>                   | DAC 1, DAC 2, DAC 3  |     | 8    |     | ns   |
|  | DAC 4, DAC 5, DAC 6  |     | 6    |     | ns   |
| DAC Analog Output Skew                             | DAC 1, DAC 2, DAC 3  |     | 2    |     | ns   |
|  | DAC 4, DAC 5, DAC 6  |     | 1    |     | ns   |

<sup>1</sup> Applicable to full-drive capable DACs only, that is, DAC 1, DAC 2, DAC 3.

<sup>2</sup> The recommended method of bringing this typical value back to the ideal value is by adjusting Register 0x0B to the recommended value of 0x12.

<sup>3</sup> Applicable to all DACs.

<sup>4</sup> Output delay measured from the 50% point of the rising edge of the input clock to the 50% point of the DAC output full-scale transition.

**DIGITAL INPUT/OUTPUT SPECIFICATIONS—3.3 V**

$V_{DD} = 1.71\text{ V to }1.89\text{ V}$ ,  $PV_{DD} = 1.71\text{ V to }1.89\text{ V}$ ,  $V_{AA} = 2.6\text{ V to }3.465\text{ V}$ ,  $V_{DD\_IO} = 1.71\text{ V to }3.63\text{ V}$ .  
All specifications  $T_{MIN}$  to  $T_{MAX}$  ( $-40^{\circ}\text{C to }+85^{\circ}\text{C}$ ), unless otherwise noted.

Table 6.

| Parameter                       | Conditions                              | Min | Typ | Max       | Unit          |
|---------------------------------|---|-----|-----|-----------|---------------|
| Input High Voltage, $V_{IH}$    |   | 2.0 |     |           | V             |
| Input Low Voltage, $V_{IL}$     |   |     |     | 0.8       | V             |
| Input Leakage Current, $I_{IN}$ | $V_{IN} = V_{DD\_IO}$                   |     |     | $\pm 10$  | $\mu\text{A}$ |
| Input Capacitance, $C_{IN}$     |   |     | 4   |           | pF            |
| Output High Voltage, $V_{OH}$   | $I_{SOURCE} = 400\ \mu\text{A}$         | 2.4 |     |           | V             |
| Output Low Voltage, $V_{OL}$    | $I_{SINK} = 3.2\ \text{mA}$             |     |     | 0.4       | V             |
| Three-State Leakage Current     | $V_{IN} = 0.4\ \text{V}, 2.4\ \text{V}$ |     |     | $\pm 1.0$ | $\mu\text{A}$ |
| Three-State Output Capacitance  |   |     | 4   |           | pF            |

**DIGITAL INPUT/OUTPUT SPECIFICATIONS—1.8 V**

When  $V_{DD\_IO}$  is set to 1.8 V, all the digital video inputs and control inputs, such as  $I^2C$ , HS, and VS, should use 1.8 V levels.

$V_{DD} = 1.71\text{ V to }1.89\text{ V}$ ,  $PV_{DD} = 1.71\text{ V to }1.89\text{ V}$ ,  $V_{AA} = 2.6\text{ V to }3.465\text{ V}$ ,  $V_{DD\_IO} = 1.71\text{ V to }1.89\text{ V}$ .  
All specifications  $T_{MIN}$  to  $T_{MAX}$  ( $-40^{\circ}\text{C to }+85^{\circ}\text{C}$ ), unless otherwise noted.

Table 7.

| Parameter                      | Conditions                      | Min                | Typ | Max              | Unit |
|--------------------------------|---------------------------------|--------------------|-----|------------------|------|
| Input High Voltage, $V_{IH}$   |                                 | $0.7 V_{DD\_IO}$   |     |                  | V    |
| Input Low Voltage, $V_{IL}$    |                                 |                    |     | $0.3 V_{DD\_IO}$ | V    |
| Input Capacitance, $C_{IN}$    |                                 |                    | 4   |                  | pF   |
| Output High Voltage, $V_{OH}$  | $I_{SOURCE} = 400\ \mu\text{A}$ | $V_{DD\_IO} - 0.4$ |     |                  | V    |
| Output Low Voltage, $V_{OL}$   | $I_{SINK} = 3.2\ \text{mA}$     |                    |     | 0.4              | V    |
| Three-State Output Capacitance |                                 |                    | 4   |                  | pF   |



**DIGITAL TIMING SPECIFICATIONS—3.3 V**

$V_{DD} = 1.71\text{ V to }1.89\text{ V}$ ,  $PV_{DD} = 1.71\text{ V to }1.89\text{ V}$ ,  $V_{AA} = 2.6\text{ V to }3.465\text{ V}$ ,  $V_{DD_{IO}} = 2.97\text{ V to }3.63\text{ V}$ .  
All specifications  $T_{MIN}$  to  $T_{MAX}$  ( $-40^{\circ}\text{C}$  to  $+85^{\circ}\text{C}$ ), unless otherwise noted.

**Table 8.**

| Parameter   | Conditions <sup>1</sup>                | Min | Typ | Max | Unit         |
|---|--|-----|-----|-----|--------------|
| VIDEO DATA AND VIDEO CONTROL PORT <sup>2, 3</sup> |  |     |     |     |              |
| Data Input Setup Time, $t_{11}^4$                 | SD                                     | 2.1 |     |     | ns           |
|   | ED/HD-SDR                              | 2.3 |     |     | ns           |
|   | ED/HD-DDR                              | 2.3 |     |     | ns           |
|   | ED (at 54 MHz)                         | 1.7 |     |     | ns           |
| Data Input Hold Time, $t_{12}^4$                  | SD                                     | 1.0 |     |     | ns           |
|   | ED/HD-SDR                              | 1.1 |     |     | ns           |
|   | ED/HD-DDR                              | 1.1 |     |     | ns           |
|   | ED (at 54 MHz)                         | 1.0 |     |     | ns           |
| Control Input Setup Time, $t_{11}^4$              | SD                                     | 2.1 |     |     | ns           |
|   | ED/HD-SDR or ED/HD-DDR                 | 2.3 |     |     | ns           |
|   | ED (at 54 MHz)                         | 1.7 |     |     | ns           |
| Control Input Hold Time, $t_{12}^4$               | SD                                     | 1.0 |     |     | ns           |
|   | ED/HD-SDR or ED/HD-DDR                 | 1.1 |     |     | ns           |
|   | ED (at 54 MHz)                         | 1.0 |     |     | ns           |
| Control Output Access Time, $t_{13}^4$            | SD                                     |     |     | 12  | ns           |
|   | ED/HD-SDR, ED/HD-DDR or ED (at 54 MHz) |     |     | 10  | ns           |
| Control Output Hold Time, $t_{14}^4$              | SD                                     | 4.0 |     |     | ns           |
|   | ED/HD-SDR, ED/HD-DDR or ED (at 54 MHz) | 3.5 |     |     | ns           |
| PIPELINE DELAY <sup>5</sup>                       |  |     |     |     |              |
| SD <sup>1</sup>                                   |  |     |     |     |              |
| CVBS/YC Outputs (2×)                              | SD oversampling disabled               |     | 68  |     | Clock cycles |
| CVBS/YC Outputs (16×)                             | SD oversampling enabled                |     | 67  |     | Clock cycles |
| Component Outputs (2×)                            | SD oversampling disabled               |     | 78  |     | Clock cycles |
| Component Outputs (16×)                           | SD oversampling enabled                |     | 84  |     | Clock cycles |
| ED <sup>1</sup>                                   |  |     |     |     |              |
| Component Outputs (1×)                            | ED oversampling disabled               |     | 41  |     | Clock cycles |
| Component Outputs (8×)                            | ED oversampling enabled                |     | 46  |     | Clock cycles |
| HD <sup>1</sup>                                   |  |     |     |     |              |
| Component Outputs (1×)                            | HD oversampling disabled               |     | 40  |     | Clock cycles |
| Component Outputs (4×)                            | HD oversampling enabled                |     | 44  |     | Clock cycles |

<sup>1</sup> SD = standard definition, ED = enhanced definition (525p/625p), HD = high definition, SDR = single data rate, DDR = dual data rate.

<sup>2</sup> Video data: C[7:0], Y[7:0], and S[7:0].

<sup>3</sup> Video control: P\_HSYNC, P\_VSYNC, P\_BLANK, S\_HSYNC, and S\_VSYNC.

<sup>4</sup> Guaranteed by characterization.

<sup>5</sup> Guaranteed by design.

**DIGITAL TIMING SPECIFICATIONS—1.8 V**

$V_{DD} = 1.71 \text{ V to } 1.89 \text{ V}$ ,  $PV_{DD} = 1.71 \text{ V to } 1.89 \text{ V}$ ,  $V_{AA} = 2.6 \text{ V to } 3.465 \text{ V}$ ,  $V_{DD_{IO}} = 1.71 \text{ V to } 1.89 \text{ V}$ .

All specifications  $T_{MIN}$  to  $T_{MAX}$  ( $-40^{\circ}\text{C}$  to  $+85^{\circ}\text{C}$ ), unless otherwise noted.

**Table 9.**

| Parameter   | Conditions <sup>1</sup>                | Min | Typ | Max | Unit         |
|---|--|-----|-----|-----|--------------|
| VIDEO DATA AND VIDEO CONTROL PORT <sup>2, 3</sup> |  |     |     |     |              |
| Data Input Setup Time, $t_{11}^4$                 | SD                                     | 1.4 |     |     | ns           |
|   | ED/HD-SDR                              | 1.9 |     |     | ns           |
|   | ED/HD-DDR                              | 1.9 |     |     | ns           |
|   | ED (at 54 MHz)                         | 1.6 |     |     | ns           |
| Data Input Hold Time, $t_{12}^4$                  | SD                                     | 1.4 |     |     | ns           |
|   | ED/HD-SDR                              | 1.5 |     |     | ns           |
|   | ED/HD-DDR                              | 1.5 |     |     | ns           |
|   | ED (at 54 MHz)                         | 1.3 |     |     | ns           |
| Control Input Setup Time, $t_{11}^4$              | SD                                     | 1.4 |     |     | ns           |
|   | ED/HD-SDR or ED/HD-DDR                 | 1.2 |     |     | ns           |
|   | ED (at 54 MHz)                         | 1.0 |     |     | ns           |
| Control Input Hold Time, $t_{12}^4$               | SD                                     | 1.4 |     |     | ns           |
|   | ED/HD-SDR or ED/HD-DDR                 | 1.0 |     |     | ns           |
|   | ED (at 54 MHz)                         | 1.0 |     |     | ns           |
| Control Output Access Time, $t_{13}^4$            | SD                                     |     |     | 13  | ns           |
|   | ED/HD-SDR, ED/HD-DDR or ED (at 54 MHz) |     |     | 12  | ns           |
| Control Output Hold Time, $t_{14}^4$              | SD                                     | 4.0 |     |     | ns           |
|   | ED/HD-SDR, ED/HD-DDR or ED (at 54 MHz) | 5.0 |     |     | ns           |
| PIPELINE DELAY <sup>5</sup>                       |  |     |     |     |              |
| SD <sup>1</sup>                                   |  |     |     |     |              |
| CVBS/YC Outputs (2×)                              | SD oversampling disabled               |     | 68  |     | Clock cycles |
| CVBS/YC Outputs (16×)                             | SD oversampling enabled                |     | 67  |     | Clock cycles |
| Component Outputs (2×)                            | SD oversampling disabled               |     | 78  |     | Clock cycles |
| Component Outputs (16×)                           | SD oversampling enabled                |     | 84  |     | Clock cycles |
| ED <sup>1</sup>                                   |  |     |     |     |              |
| Component Outputs (1×)                            | ED oversampling disabled               |     | 41  |     | Clock cycles |
| Component Outputs (8×)                            | ED oversampling enabled                |     | 46  |     | Clock cycles |
| HD <sup>1</sup>                                   |  |     |     |     |              |
| Component Outputs (1×)                            | HD oversampling disabled               |     | 40  |     | Clock cycles |
| Component Outputs (4×)                            | HD oversampling enabled                |     | 44  |     | Clock cycles |

<sup>1</sup> SD = standard definition, ED = enhanced definition (525p/625p), HD = high definition, SDR = single data rate, DDR = dual data rate.

<sup>2</sup> Video data: C[7:0], Y[7:0], and S[7:0].

<sup>3</sup> Video control: P\_HSYNC, P\_VSYNC, P\_BLANK, S\_HSYNC, and S\_VSYNC.

<sup>4</sup> Guaranteed by characterization.

<sup>5</sup> Guaranteed by design.

**MPU PORT TIMING SPECIFICATIONS**

$V_{DD} = 1.71\text{ V to }1.89\text{ V}$ ,  $PV_{DD} = 1.71\text{ V to }1.89\text{ V}$ ,  $V_{AA} = 2.6\text{ V to }3.465\text{ V}$ ,  $V_{DD\_IO} = 1.71\text{ V to }3.63\text{ V}$ .  
All specifications  $T_{MIN}$  to  $T_{MAX}$  ( $-40^{\circ}\text{C}$  to  $+85^{\circ}\text{C}$ ), unless otherwise noted.

**Table 10.**

| Parameter                                    | Conditions    | Min | Typ | Max | Unit          |
|--|---------------|-----|-----|-----|---------------|
| MPU PORT, I <sup>2</sup> C MODE <sup>1</sup> | See Figure 19 |     |     |     |               |
| SCL Frequency                                |               | 0   |     | 400 | kHz           |
| SCL High Pulse Width, $t_1$                  |               | 0.6 |     |     | $\mu\text{s}$ |
| SCL Low Pulse Width, $t_2$                   |               | 1.3 |     |     | $\mu\text{s}$ |
| Hold Time (Start Condition), $t_3$           |               | 0.6 |     |     | $\mu\text{s}$ |
| Setup Time (Start Condition), $t_4$          |               | 0.6 |     |     | $\mu\text{s}$ |
| Data Setup Time, $t_5$                       |               | 100 |     |     | ns            |
| SDA, SCL Rise Time, $t_6$                    |               |     |     | 300 | ns            |
| SDA, SCL Fall Time, $t_7$                    |               |     |     | 300 | ns            |
| Setup Time (Stop Condition), $t_8$           |               | 0.6 |     |     | $\mu\text{s}$ |

<sup>1</sup> Guaranteed by characterization.

**POWER SPECIFICATIONS**

$V_{DD} = 1.8\text{ V}$ ,  $PV_{DD} = 1.8\text{ V}$ ,  $V_{AA} = 3.3\text{ V}$ ,  $V_{DD\_IO} = 3.3\text{ V}$ ,  $T_A = +25^{\circ}\text{C}$ .

**Table 11.**

| Parameter                        | Conditions   | Min | Typ | Max | Unit          |
|----------------------------------|--|-----|-----|-----|---------------|
| NORMAL POWER MODE <sup>1,2</sup> |  |     |     |     |               |
| $I_{DD}$ <sup>3</sup>            | SD only (16 $\times$ oversampling)                             |     | 90  |     | mA            |
|                                  | ED only (8 $\times$ oversampling) <sup>4</sup>                 |     | 65  |     | mA            |
|                                  | HD only (4 $\times$ oversampling) <sup>4</sup>                 |     | 91  |     | mA            |
|                                  | SD (16 $\times$ oversampling) and ED (8 $\times$ oversampling) |     | 95  |     | mA            |
|                                  | SD (16 $\times$ oversampling) and HD (4 $\times$ oversampling) |     | 122 |     | mA            |
| $I_{DD\_IO}$                     |  |     | 1   |     | mA            |
| $I_{AA}$ <sup>5</sup>            | Three DACs enabled (ED/HD only)                                |     | 124 |     | mA            |
|                                  | Six DACs enabled (SD only and simultaneous modes )             |     | 140 |     | mA            |
| $I_{PLL}$                        | SD only, ED only, or HD only modes                             |     | 5   |     | mA            |
|                                  | Simultaneous modes   |     | 10  |     | mA            |
| SLEEP MODE                       |  |     |     |     |               |
| $I_{DD}$                         |  |     | 5   |     | $\mu\text{A}$ |
| $I_{AA}$                         |  |     | 0.3 |     | $\mu\text{A}$ |
| $I_{DD\_IO}$                     |  |     | 0.2 |     | $\mu\text{A}$ |
| $I_{PLL}$                        |  |     | 0.1 |     | $\mu\text{A}$ |

<sup>1</sup>  $R_{SET1} = 510\ \Omega$  (DAC 1, DAC 2, and DAC 3 operating in full-drive mode).  $R_{SET2} = 4.12\ \text{k}\Omega$  (DAC 4, DAC 5, and DAC 6 operating in low drive mode).

<sup>2</sup> 75% color bar test pattern applied to pixel data pins.

<sup>3</sup>  $I_{DD}$  is the continuous current required to drive the digital core.

<sup>4</sup> Applicable to both single data rate (SDR) and dual data rate (DDR) input modes.

<sup>5</sup>  $I_{AA}$  is the total current required to supply all DACs.

**VIDEO PERFORMANCE SPECIFICATIONS**

$V_{DD} = 1.8\text{ V}$ ,  $PV_{DD} = 1.8\text{ V}$ ,  $V_{AA} = 3.3\text{ V}$ ,  $V_{DD\_IO} = 3.3\text{ V}$ ,  $T_A = 25^\circ\text{C}$ ,  $V_{REF}$  driven externally.

Table 12.

| Parameter                                  | Conditions  | Min | Typ   | Max | Unit    |
|--|---|-----|-------|-----|---------|
| <b>STATIC PERFORMANCE</b>                  |   |     |       |     |         |
| Resolution                                 |   |     | 11    |     | Bits    |
| Integral Nonlinearity                      | $R_{SET1} = 510\text{ k}\Omega$ , $R_{L1} = 37.5\ \Omega$ |     | 0.4   |     | LSBs    |
|  | $R_{SET2} = 4.12\text{ k}\Omega$ , $R_{L2} = 300\ \Omega$ |     | 0.5   |     | LSBs    |
| Differential Nonlinearity <sup>1</sup> +ve | $R_{SET1} = 510\text{ k}\Omega$ , $R_{L1} = 37.5\ \Omega$ |     | 0.15  |     | LSBs    |
|  | $R_{SET2} = 4.12\text{ k}\Omega$ , $R_{L2} = 300\ \Omega$ |     | 0.5   |     | LSBs    |
| Differential Nonlinearity <sup>1</sup> -ve | $R_{SET1} = 510\text{ k}\Omega$ , $R_{L1} = 37.5\ \Omega$ |     | 0.25  |     | LSBs    |
|  | $R_{SET2} = 4.12\text{ k}\Omega$ , $R_{L2} = 300\ \Omega$ |     | 0.2   |     | LSBs    |
| <b>STANDARD DEFINITION (SD) MODE</b>       |   |     |       |     |         |
| Luminance Nonlinearity                     |   |     | 0.5   |     | $\pm\%$ |
| Differential Gain                          | NTSC  |     | 0.5   |     | %       |
| Differential Phase                         | NTSC  |     | 0.6   |     | Degrees |
| Signal-to-Noise Ratio (SNR)                | Luma ramp   |     | 58    |     | dB      |
|  | Flat field full bandwidth                                 |     | 75    |     | dB      |
| <b>ENHANCED DEFINITION (ED) MODE</b>       |   |     |       |     |         |
| Luma Bandwidth                             |   |     | 12.5  |     | MHz     |
| Chroma Bandwidth                           |   |     | 5.8   |     | MHz     |
| <b>HIGH DEFINITION (HD) MODE</b>           |   |     |       |     |         |
| Luma Bandwidth                             |   |     | 30    |     | MHz     |
| Chroma Bandwidth                           |   |     | 13.75 |     | MHz     |

<sup>1</sup> Differential nonlinearity (DNL) measures the deviation of the actual DAC output voltage step from the ideal. For +ve DNL, the actual step value lies above the ideal step value. For -ve DNL, the actual step value lies below the ideal step value.

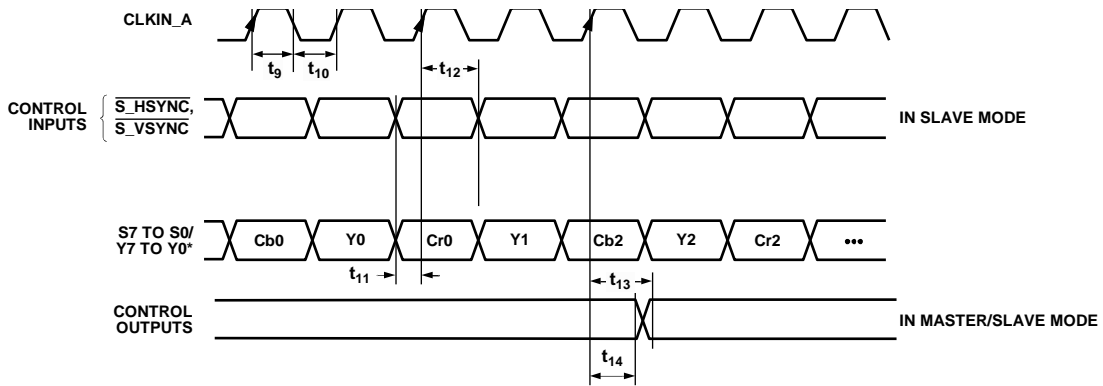
# TIMING DIAGRAMS

The following abbreviations are used in Figure 2 to Figure 13:

- $t_9$  = clock high time
- $t_{10}$  = clock low time
- $t_{11}$  = data setup time
- $t_{12}$  = data hold time

- $t_{13}$  = control output access time
- $t_{14}$  = control output hold time

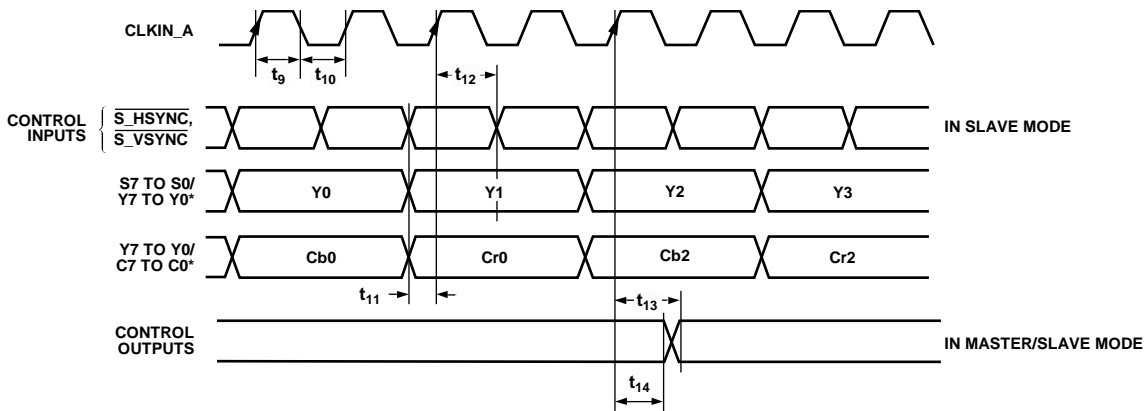
In addition, refer to Table 36 for the [ADV7342/ADV7343](#) input configuration.



\*SELECTED BY SUBADDRESS 0x01, BIT 7.

Figure 2. SD Only, 8-Bit, 4:2:2 YCrCb Pixel Input Mode (Input Mode 000)

06399-002



\*SELECTED BY SUBADDRESS 0x01, BIT 7.

Figure 3. SD Only, 16-Bit, 4:2:2 YCrCb Pixel Input Mode (Input Mode 000)

06399-003

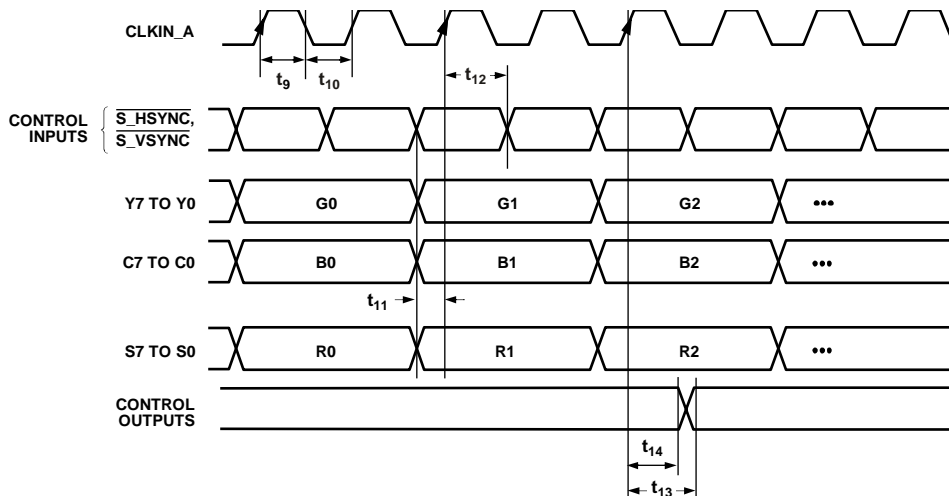


Figure 4. SD Only, 24-Bit, 4:4:4 RGB Pixel Input Mode (Input Mode 000)

06399-004

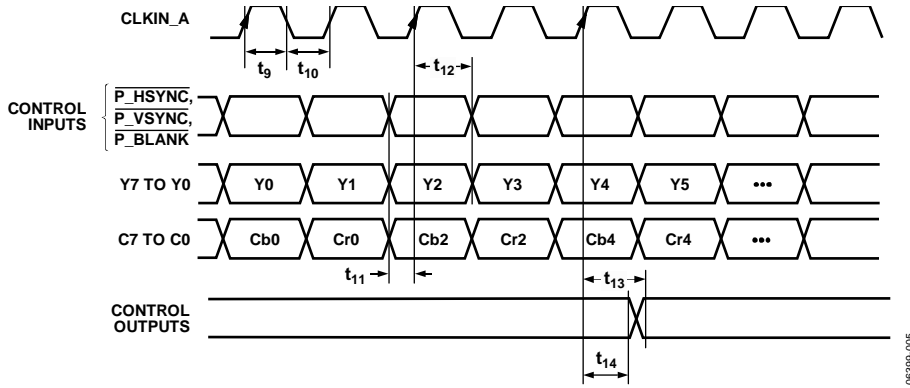


Figure 5. ED/HD-SDR Only, 16-Bit, 4:2:2 YCrCb Pixel Input Mode (Input Mode 001)

06399-005

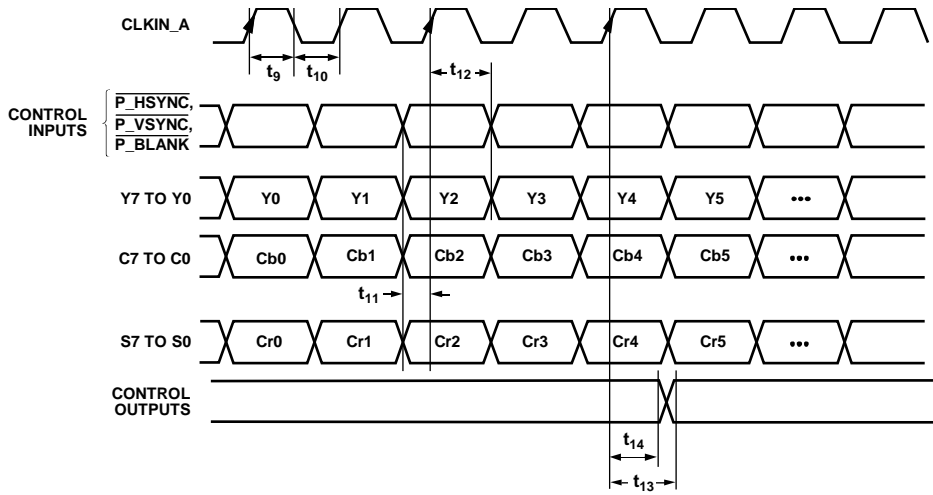


Figure 6. ED/HD-SDR Only, 24-Bit, 4:4:4 YCrCb Pixel Input Mode (Input Mode 001)

06399-006

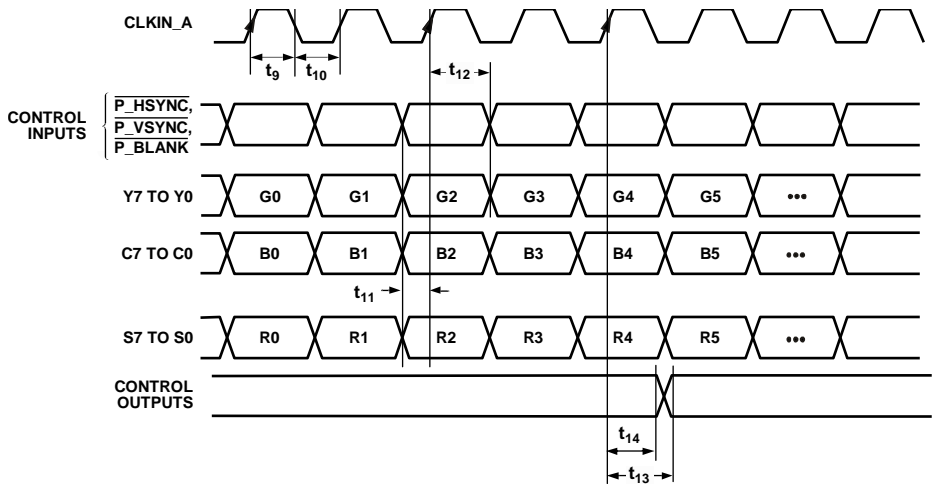
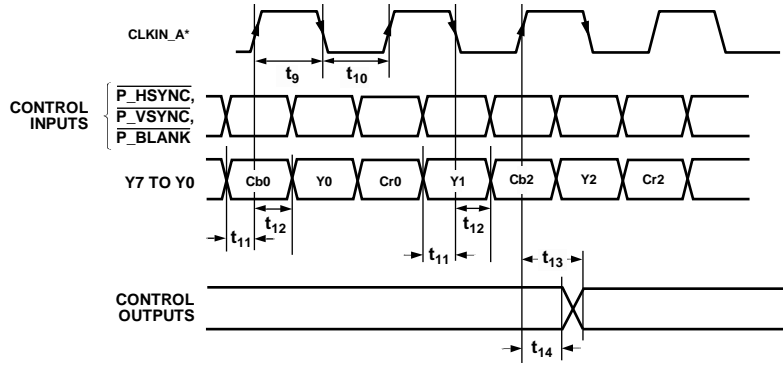


Figure 7. ED/HD-SDR Only, 24-Bit, 4:4:4 RGB Pixel Input Mode (Input Mode 001)

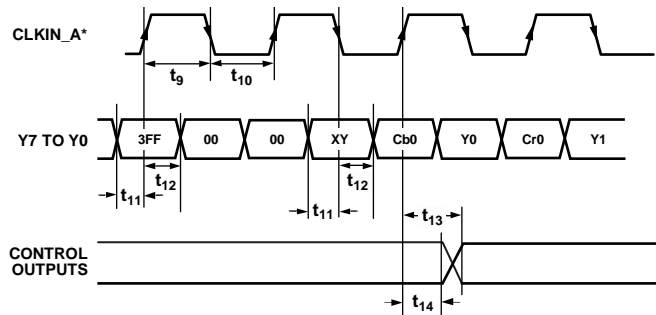
06399-007



\*LUMA/CHROMA CLOCK RELATIONSHIP CAN BE INVERTED USING SUBADDRESS 0x01, BITS 1 AND 2.

Figure 8. ED/HD-DDR Only, 8-Bit, 4:2:2 YCrCb (HSYNC/VSYNC) Pixel Input Mode (Input Mode 010)

06399-009



\*LUMA/CHROMA CLOCK RELATIONSHIP CAN BE INVERTED USING SUBADDRESS 0x01, BITS 1 AND 2.

Figure 9. ED/HD-DDR Only, 8-Bit, 4:2:2 YCrCb (EAV/SAV) Pixel Input Mode (Input Mode 010)

06399-009

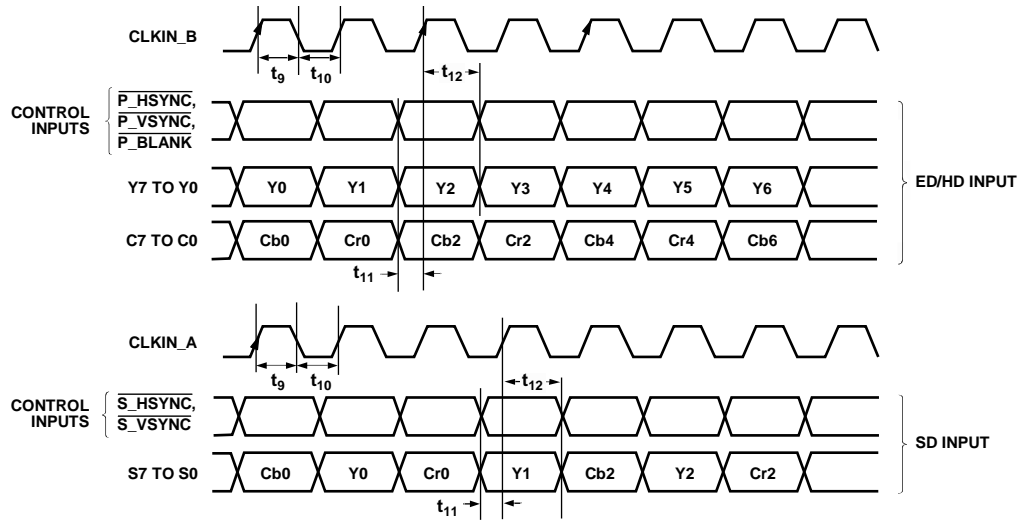


Figure 10. SD and ED/HD-SDR, 16-Bit, 4:2:2 ED/HD and 8-Bit, SD Pixel Input Mode (Input Mode 011)

06399-010

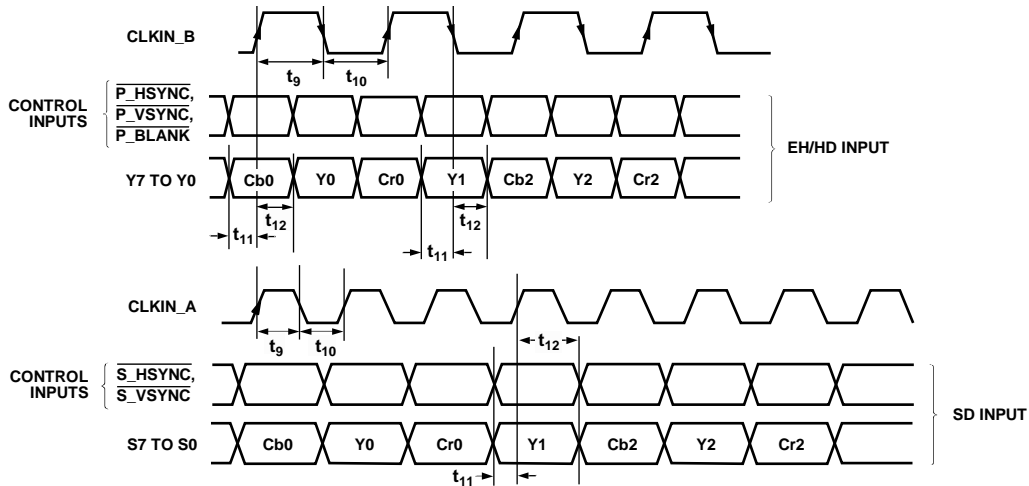


Figure 11. SD and ED/HD-DDR, 8-Bit, 4:2:2 ED/HD and 8-Bit, SD Pixel Input Mode (Input Mode 100)

06399-011

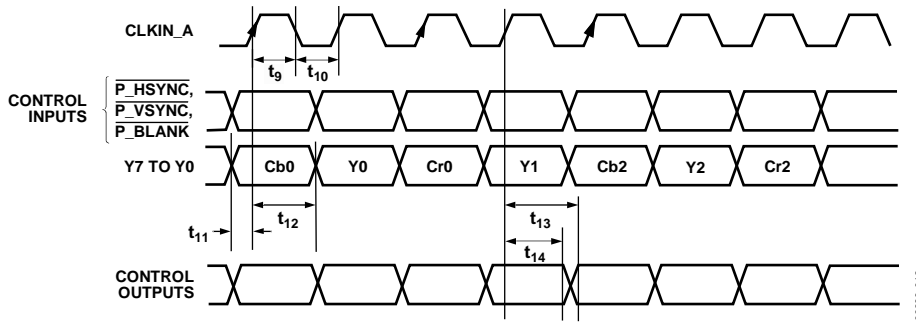


Figure 12. ED Only (at 54 MHz), 8-Bit, 4:2:2 YCrCb (HSYNC/VSYNC) Pixel Input Mode (Input Mode 111)

06399-012

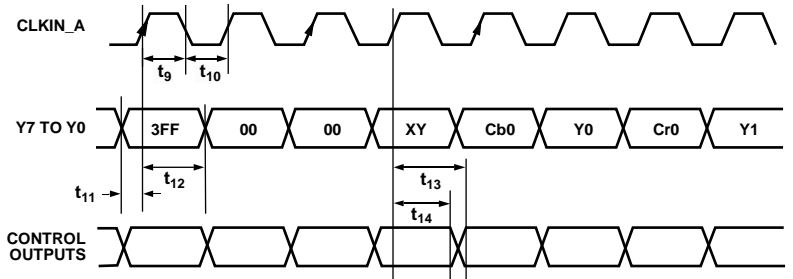
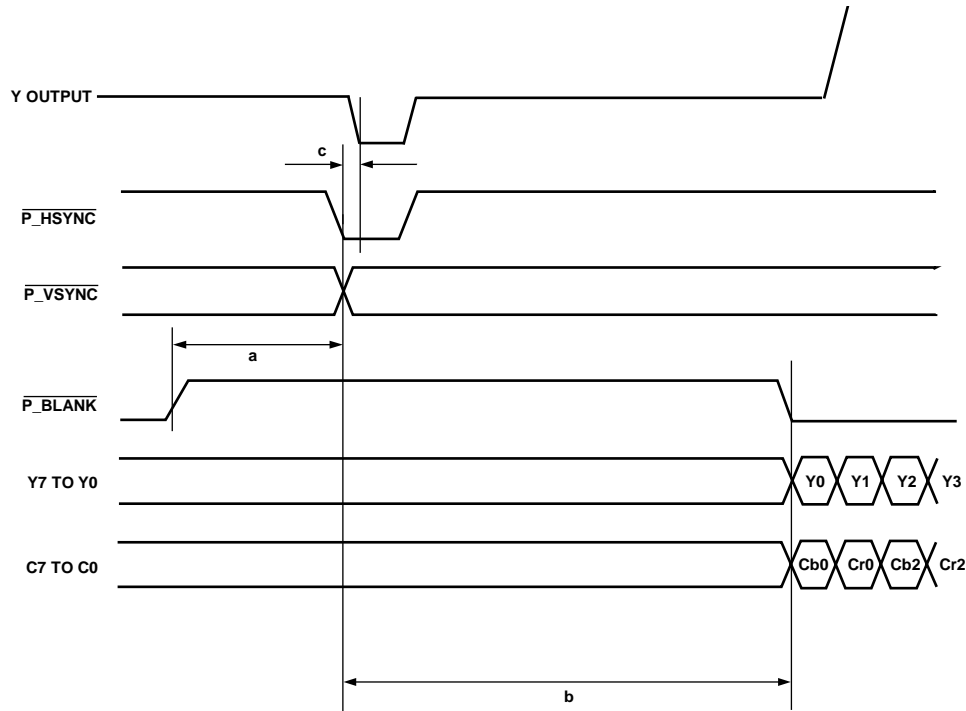


Figure 13. ED Only (at 54 MHz), 8-Bit, 4:2:2 YCrCb (EAV/SAV) Pixel Input Mode (Input Mode 111)

06399-013





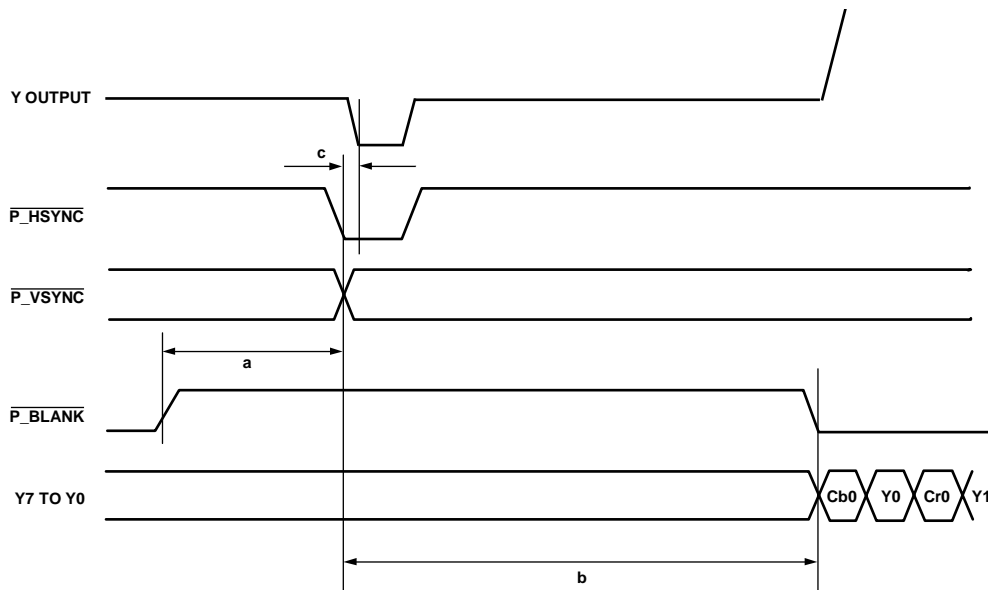
a AND b AS PER RELEVANT STANDARD.

c = PIPELINE DELAY. PLEASE REFER TO RELEVANT PIPELINE DELAY. THIS CAN BE FOUND IN THE DIGITAL TIMING SPECIFICATION SECTION OF THE DATA SHEET.

A FALLING EDGE OF HSYNC INTO THE ENCODER GENERATES A SYNC FALLING EDGE ON THE OUTPUT AFTER A TIME EQUAL TO THE PIPELINE DELAY.

Figure 14. ED-SDR, 16-Bit, 4:2:2 YCrCb (HSYNC/VSYNC) Input Timing Diagram

06399-014



a = 32 CLOCK CYCLES FOR 525p  
 a = 24 CLOCK CYCLES FOR 625p  
 AS RECOMMENDED BY STANDARD

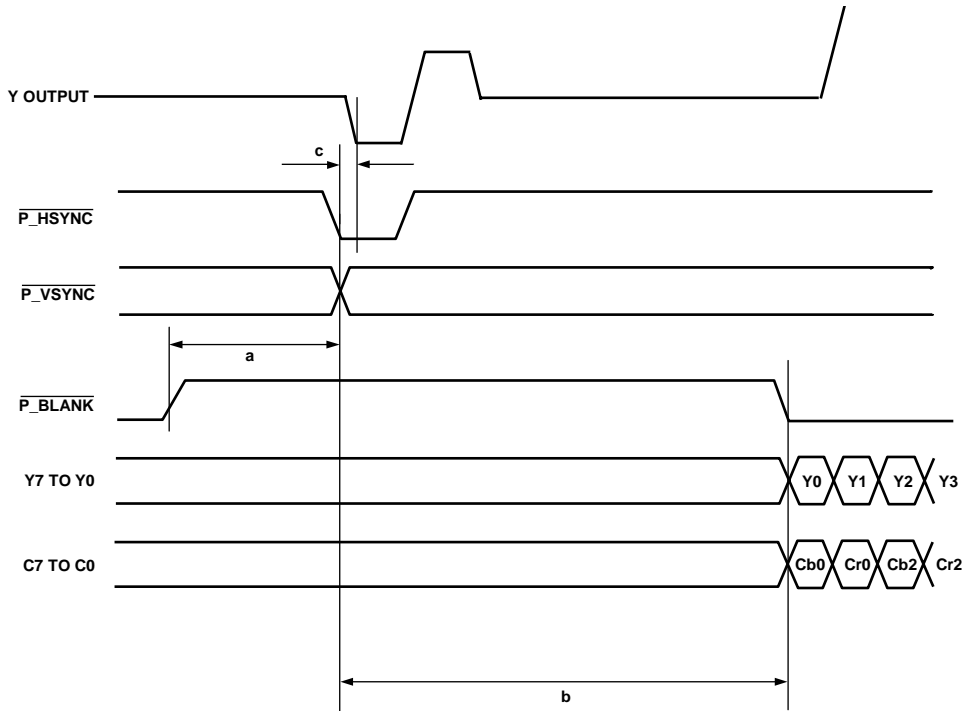
b(MIN) = 244 CLOCK CYCLES FOR 525p  
 b(MIN) = 264 CLOCK CYCLES FOR 625p

c = PIPELINE DELAY. PLEASE REFER TO RELEVANT PIPELINE DELAY. THIS CAN BE FOUND IN THE DIGITAL TIMING SPECIFICATION SECTION OF THE DATA SHEET.

A FALLING EDGE OF HSYNC INTO THE ENCODER GENERATES A SYNC FALLING EDGE ON THE OUTPUT AFTER A TIME EQUAL TO THE PIPELINE DELAY.

Figure 15. ED-DDR, 8-Bit, 4:2:2 YCrCb (HSYNC/VSYNC) Input Timing Diagram

06399-015



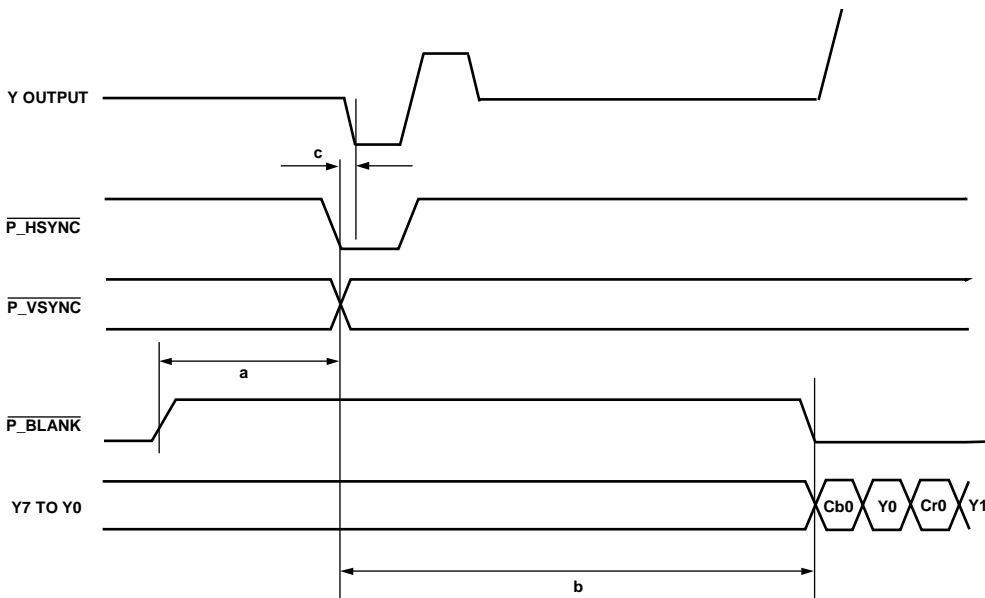
a AND b AS PER RELEVANT STANDARD.

c = PIPELINE DELAY. PLEASE REFER TO RELEVANT PIPELINE DELAY. THIS CAN BE FOUND IN THE DIGITAL TIMING SPECIFICATION SECTION OF THE DATA SHEET.

A FALLING EDGE OF HSYNC INTO THE ENCODER GENERATES A FALLING EDGE OF TRI-LEVEL SYNC ON THE OUTPUT AFTER A TIME EQUAL TO THE PIPELINE DELAY.

Figure 16. HD-SDR, 16-Bit, 4:2:2 YCrCb (HSYNC/VSYNC) Input Timing Diagram

06399-016



a AND b AS PER RELEVANT STANDARD.

c = PIPELINE DELAY. PLEASE REFER TO RELEVANT PIPELINE DELAY. THIS CAN BE FOUND IN THE DIGITAL TIMING SPECIFICATION SECTION OF THE DATA SHEET.

A FALLING EDGE OF HSYNC INTO THE ENCODER GENERATES A FALLING EDGE OF TRI-LEVEL SYNC ON THE OUTPUT AFTER A TIME EQUAL TO THE PIPELINE DELAY.

Figure 17. HD-DDR, 8-Bit, 4:2:2 YCrCb (HSYNC/VSYNC) Input Timing Diagram

06399-017

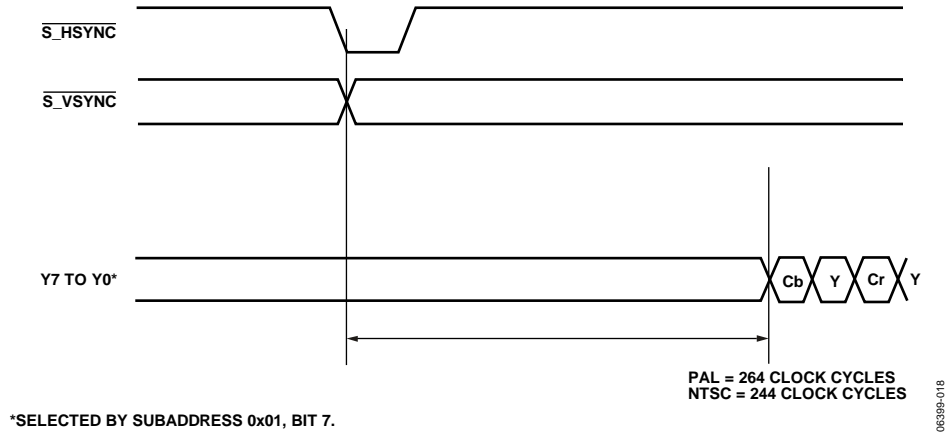


Figure 18. SD Input Timing Diagram (Timing Mode 1)

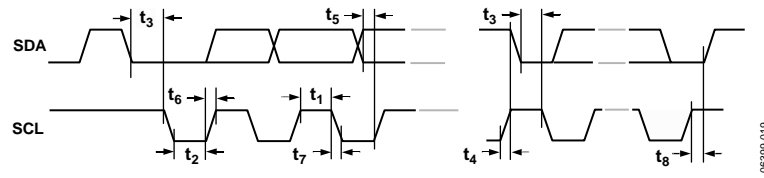


Figure 19. MPU Port Timing Diagram (I<sup>2</sup>C Mode)

## ABSOLUTE MAXIMUM RATINGS

Table 13.

| Parameter <sup>1</sup>                      | Rating                               |
|---|--------------------------------------|
| V <sub>AA</sub> to AGND                     | –0.3 V to +3.9 V                     |
| V <sub>DD</sub> to DGND                     | –0.3 V to +2.3 V                     |
| PV <sub>DD</sub> to PGND                    | –0.3 V to +2.3 V                     |
| V <sub>DD_IO</sub> to GND_IO                | –0.3 V to +3.9 V                     |
| AGND to DGND                                | –0.3 V to +0.3 V                     |
| AGND to PGND                                | –0.3 V to +0.3 V                     |
| AGND to GND_IO                              | –0.3 V to +0.3 V                     |
| DGND to PGND                                | –0.3 V to +0.3 V                     |
| DGND to GND_IO                              | –0.3 V to +0.3 V                     |
| PGND to GND_IO                              | –0.3 V to +0.3 V                     |
| Digital Input Voltage to GND_IO             | –0.3 V to V <sub>DD_IO</sub> + 0.3 V |
| Analog Outputs to AGND                      | –0.3 V to V <sub>AA</sub>            |
| Maximum CLKIN Input Frequency               | 80 MHz                               |
| Storage Temperature Range (T <sub>s</sub> ) | –65°C to +150°C                      |
| Junction Temperature (T <sub>j</sub> )      | 150°C                                |
| Lead Temperature (Soldering, 10 sec)        | 260°C                                |

<sup>1</sup> Analog output short circuit to any power supply or common can be of an indefinite duration.

Stresses at or above those listed under Absolute Maximum Ratings may cause permanent damage to the product. This is a stress rating only; functional operation of the product at these or any other conditions above those indicated in the operational section of this specification is not implied. Operation beyond the maximum operating conditions for extended periods may affect product reliability.

The ADV7342/ADV7343 are high performance integrated circuits with an ESD rating of <1 kV, and they are ESD sensitive. Proper precautions should be taken for handling and assembly.

## THERMAL RESISTANCE

$\theta_{JA}$  is specified for the worst-case conditions, that is, a device soldered in a circuit board for surface-mount packages.

Table 14. Thermal Resistance<sup>1</sup>

| Package Type | $\theta_{JA}$ | $\theta_{JC}$ | Unit |
|--------------|---------------|---------------|------|
| 64-Lead LQFP | 47            | 11            | °C/W |

<sup>1</sup> Values are based on a JEDEC 4-layer test board.

The ADV7342/ADV7343 are RoHS-compliant, Pb-free products. The lead finish is 100% pure Sn electroplate. The devices are suitable for Pb-free applications up to 255°C (±5°C) IR reflow (JEDEC STD-20).

They are backward compatible with conventional SnPb soldering processes. The electroplated Sn coating can be soldered with Sn/Pb solder paste at conventional reflow temperatures of 220°C to 235°C.

## ESD CAUTION



**ESD (electrostatic discharge) sensitive device.** Charged devices and circuit boards can discharge without detection. Although this product features patented or proprietary protection circuitry, damage may occur on devices subjected to high energy ESD. Therefore, proper ESD precautions should be taken to avoid performance degradation or loss of functionality.

# PIN CONFIGURATION AND FUNCTION DESCRIPTIONS

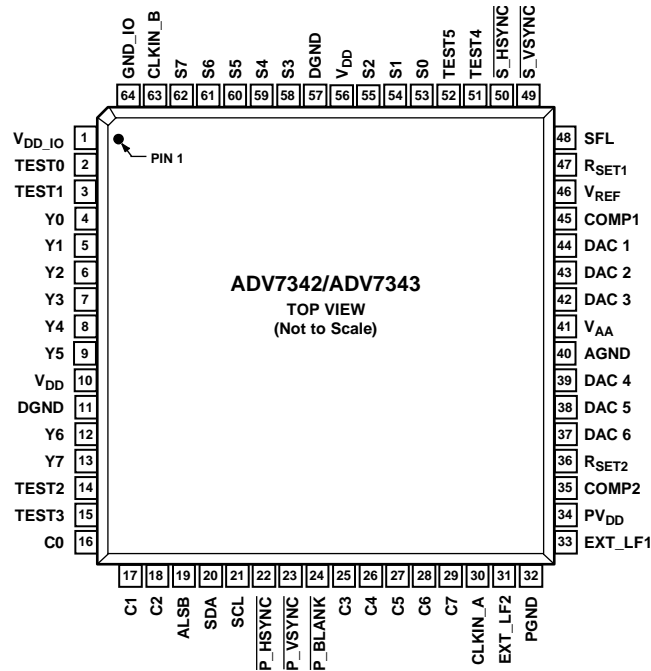


Figure 20. Pin Configuration

Table 15. Pin Function Descriptions

| Pin No.              | Mnemonic       | Input/Output | Description  |
|----------------------|----------------|--------------|--|
| 13, 12, 9 to 4       | Y7 to Y0       | I            | 8-Bit Pixel Port. Y0 is the LSB. Refer to Table 36 for input modes.  |
| 29 to 25, 18 to 16   | C7 to C0       | I            | 8-Bit Pixel Port. C0 is the LSB. Refer to Table 36 for input modes.  |
| 62 to 58, 55 to 53   | S7 to S0       | I            | 8-Bit Pixel Port. S0 is the LSB. Refer to Table 36 for input modes.  |
| 52, 51, 15, 14, 3, 2 | TEST5 to TEST0 | I            | Unused. These pins should be connected to DGND.  |
| 30                   | CLKIN_A        | I            | Pixel Clock Input for HD Only (74.25 MHz), ED <sup>1</sup> Only (27 MHz or 54 MHz), or SD Only (27 MHz).   |
| 63                   | CLKIN_B        | I            | Pixel Clock Input for Dual Modes Only. Requires a 27 MHz reference clock for ED operation or a 74.25 MHz reference clock for HD operation.   |
| 50                   | S_HSYNC        | I/O          | SD Horizontal Synchronization Signal. This pin can also be configured to output an SD, ED, or HD horizontal synchronization signal. See the External Horizontal and Vertical Synchronization Control section.  |
| 49                   | S_VSYNC        | I/O          | SD Vertical Synchronization Signal. This pin can also be configured to output an SD, ED, or HD vertical synchronization signal. See the External Horizontal and Vertical Synchronization Control section.  |
| 22                   | P_HSYNC        | I            | ED/HD Horizontal Synchronization Signal. See the External Horizontal and Vertical Synchronization Control section.   |
| 23                   | P_VSYNC        | I            | ED/HD Vertical Synchronization Signal. See the External Horizontal and Vertical Synchronization Control section.   |
| 24                   | P_BLANK        | I            | ED/HD Blanking Signal. See the External Horizontal and Vertical Synchronization Control section.   |
| 48                   | SFL            | I/O          | Subcarrier Frequency Lock (SFL) Input. The SFL input is used to drive the color subcarrier DDS system.   |
| 47                   | RSET1          | I            | This pin is used to control the amplitudes of the DAC 1, DAC 2, and DAC 3 outputs. For full-drive operation (for example, into a 37.5 Ω load), a 510 Ω resistor must be connected from RSET1 to AGND. For low-drive operation (for example, into a 300 Ω load), a 4.12 kΩ resistor must be connected from RSET1 to AGND. |

| Pin No.    | Mnemonic               | Input/Output | Description  |
|------------|------------------------|--------------|--|
| 36         | R <sub>SET2</sub>      | I            | This pin is used to control the amplitudes of the DAC 4, DAC 5, and DAC 6 outputs. A 4.12 k $\Omega$ resistor must be connected from R <sub>SET2</sub> to AGND.      |
| 45, 35     | COMP1,<br>COMP2        | O            | Compensation Pins. Connect a 2.2 nF capacitor from both COMP pins to V <sub>AA</sub> .   |
| 44, 43, 42 | DAC 1, DAC 2,<br>DAC 3 | O            | DAC Outputs. Full- and low-drive capable DACs.   |
| 39, 38, 37 | DAC 4, DAC 5,<br>DAC 6 | O            | DAC Outputs. Low-drive only capable DACs.  |
| 21         | SCL                    | I            | I <sup>2</sup> C Clock Input.  |
| 20         | SDA                    | I/O          | I <sup>2</sup> C Data Input/Output.  |
| 19         | ALSB                   | I            | This signal sets up the LSB <sup>2</sup> of the MPU I <sup>2</sup> C address (see the Power Supply Sequencing section for more information).                         |
| 46         | V <sub>REF</sub>       |              | Optional External Voltage Reference Input for DACs or Voltage Reference Output.  |
| 41         | V <sub>AA</sub>        | P            | Analog Power Supply (3.3 V).   |
| 10, 56     | V <sub>DD</sub>        | P            | Digital Power Supply (1.8 V). For dual-supply configurations, V <sub>DD</sub> can be connected to other 1.8 V supplies through a ferrite bead or suitable filtering. |
| 1          | V <sub>DD_IO</sub>     | P            | Input/Output Digital Power Supply (1.8 V or 3.3 V).  |
| 34         | PV <sub>DD</sub>       | P            | PLL Power Supply (1.8 V). For dual-supply configurations, PV <sub>DD</sub> can be connected to other 1.8 V supplies through a ferrite bead or suitable filtering.    |
| 33         | EXT_LF1                | I            | External Loop Filter for On-Chip PLL 1.  |
| 31         | EXT_LF2                | I            | External Loop Filter for On-Chip PLL 2.  |
| 32         | PGND                   | G            | PLL Ground Pin.  |
| 40         | AGND                   | G            | Analog Ground Pin.   |
| 11, 57     | DGND                   | G            | Digital Ground Pin.  |
| 64         | GND_IO                 | G            | Input/Output Supply Ground Pin.  |

<sup>1</sup> ED = enhanced definition = 525p and 625p.

<sup>2</sup> LSB = least significant bit. In the ADV7342, setting the LSB to 0 sets the I<sup>2</sup>C address to 0xD4. Setting it to 1 sets the I<sup>2</sup>C address to 0xD6. In the ADV7343, setting the LSB to 0 sets the I<sup>2</sup>C address to 0x54. Setting it to 1 sets the I<sup>2</sup>C address to 0x56.

# TYPICAL PERFORMANCE CHARACTERISTICS

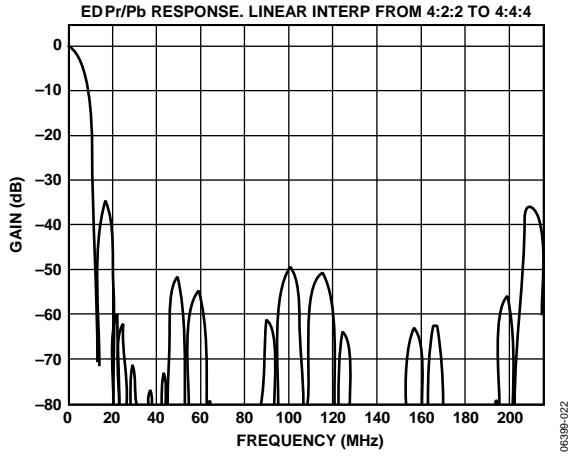


Figure 21. ED 8x Oversampling, PrPb Filter (Linear) Response

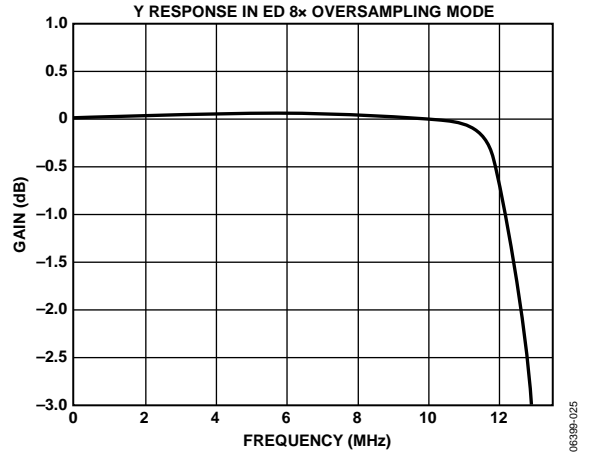


Figure 24. ED 8x Oversampling, Y Filter Response (Focus on Pass Band)

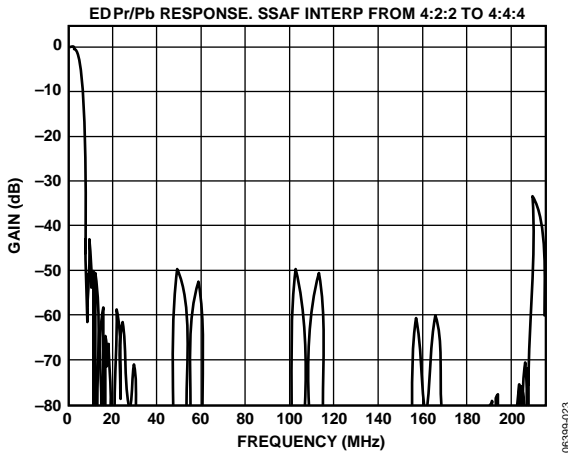


Figure 22. ED 8x Oversampling, PrPb Filter (SSAF™) Response

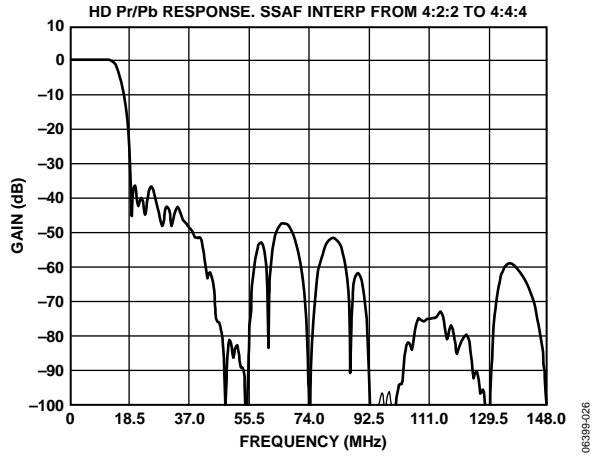


Figure 25. HD 4x Oversampling, PrPb (SSAF) Filter Response (4:2:2 Input)

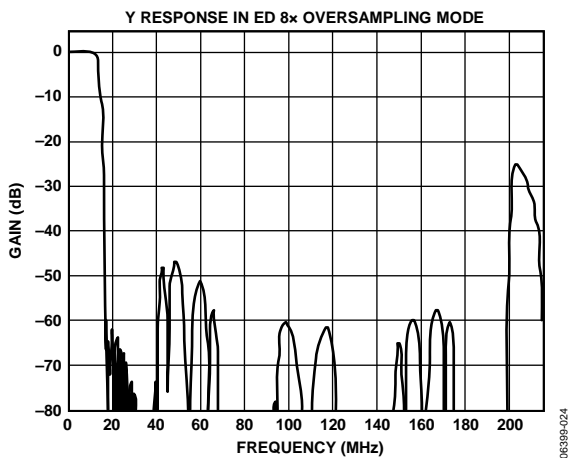


Figure 23. ED 8x Oversampling, Y Filter Response

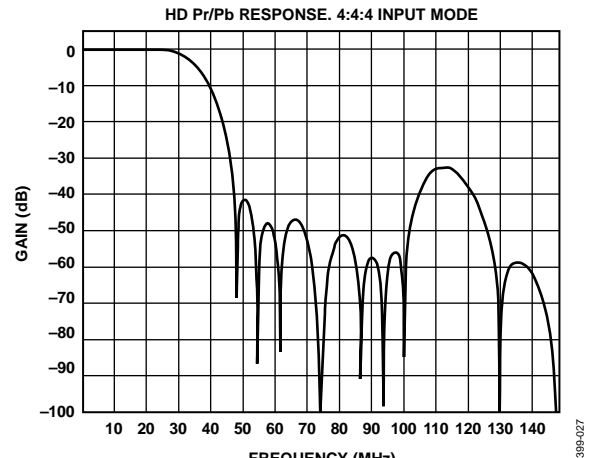


Figure 26. HD 4x Oversampling, PrPb (SSAF) Filter Response (4:4:4 Input)

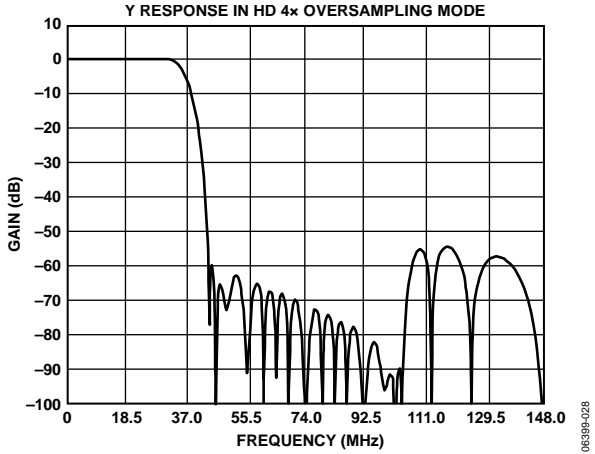


Figure 27. HD 4x Oversampling, Y Filter Response

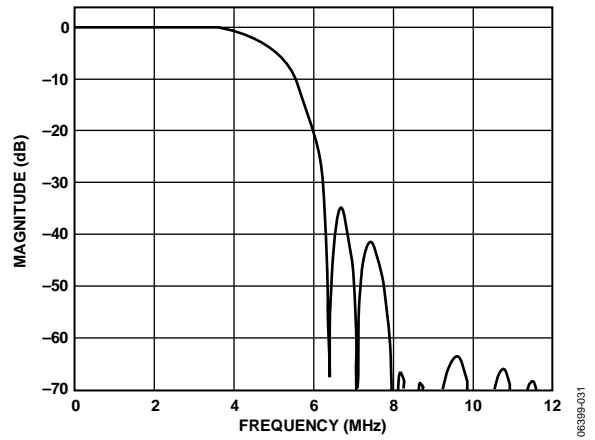


Figure 30. SD PAL, Luma Low-Pass Filter Response

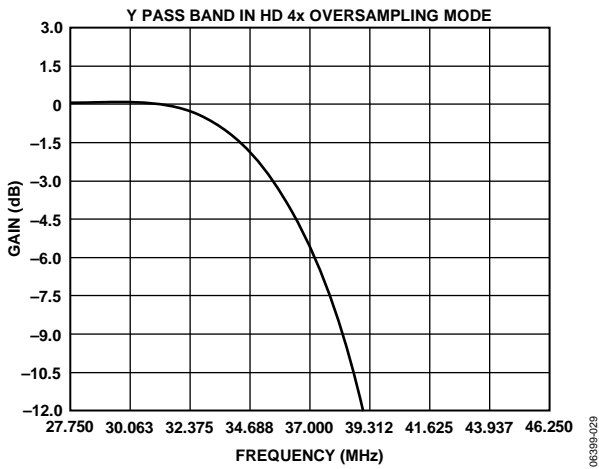


Figure 28. HD 4x Oversampling, Y Filter Response (Focus on Pass Band)

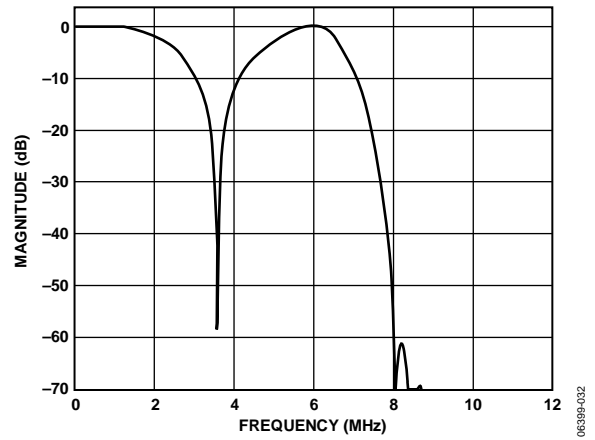


Figure 31. SD NTSC, Luma Notch Filter Response

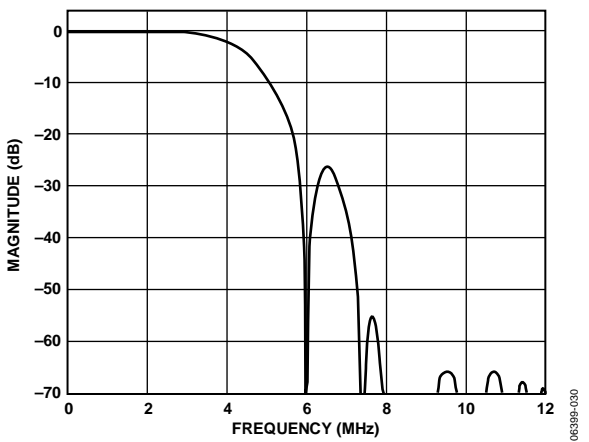


Figure 29. SD NTSC, Luma Low-Pass Filter Response

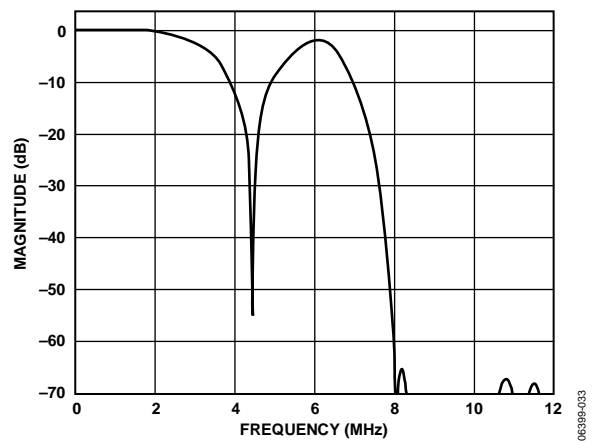


Figure 32. SD PAL, Luma Notch Filter Response



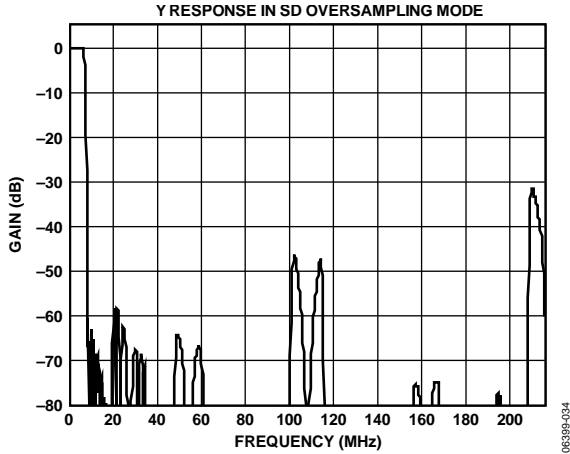


Figure 33. SD, 16x Oversampling, Y Filter Response

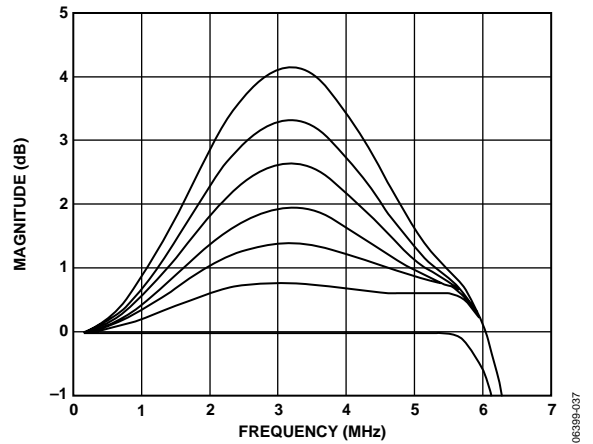


Figure 36. SD Luma SSAF Filter, Programmable Gain

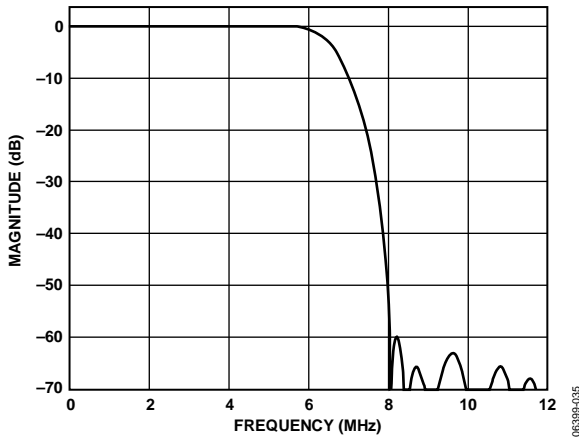


Figure 34. SD Luma SSAF Filter Response up to 12 MHz

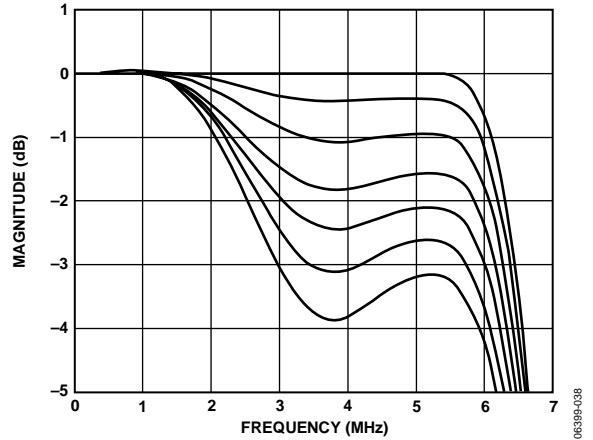


Figure 37. SD Luma SSAF Filter, Programmable Attenuation

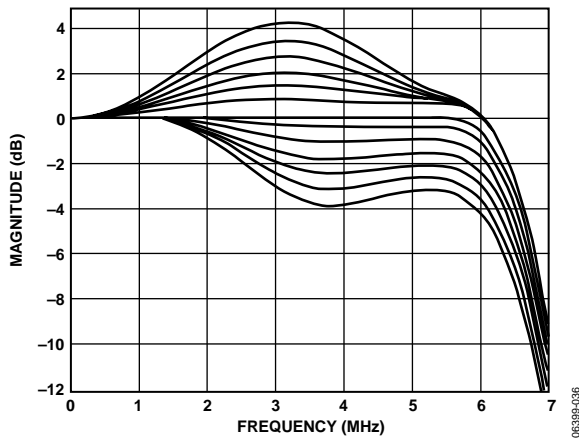


Figure 35. SD Luma SSAF Filter, Programmable Responses

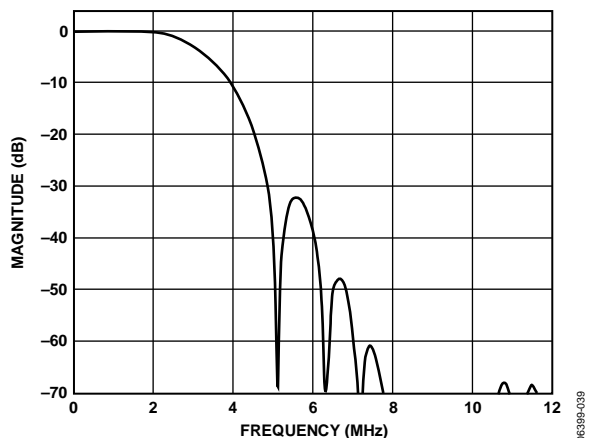


Figure 38. SD Luma CIF Low-Pass Filter Response

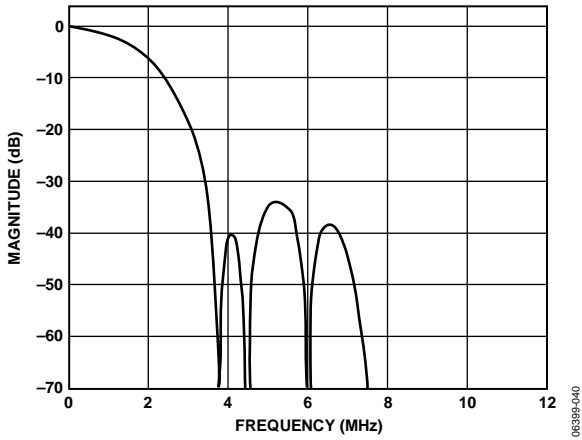


Figure 39. SD Luma QCIF Low-Pass Filter Response

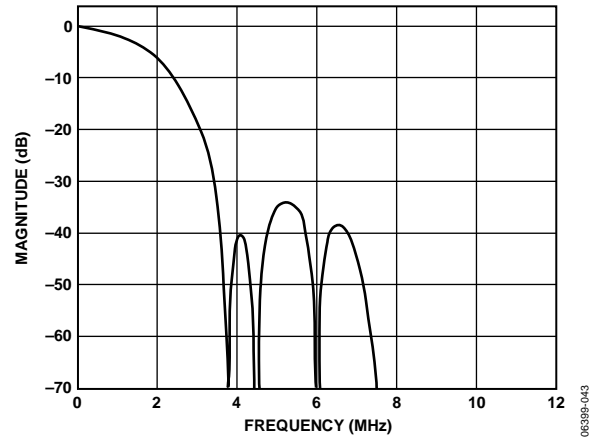


Figure 42. SD Chroma 1.3 MHz Low-Pass Filter Response

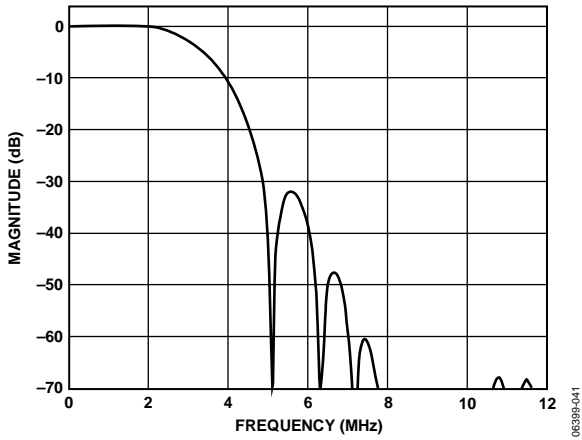


Figure 40. SD Chroma 3.0 MHz Low-Pass Filter Response

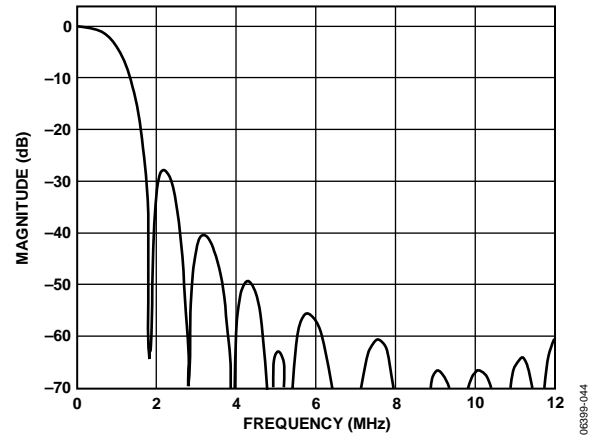


Figure 43. SD Chroma 1.0 MHz Low-Pass Filter Response

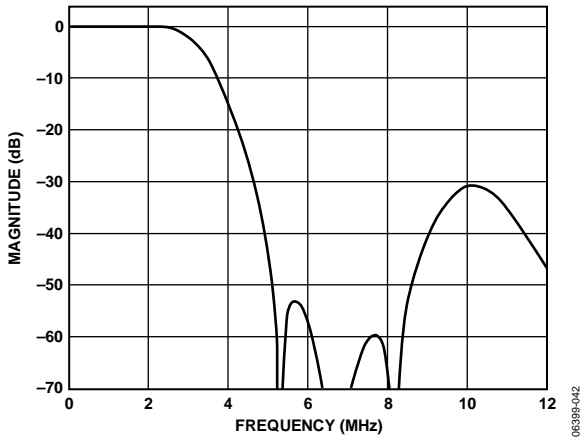


Figure 41. SD Chroma 2.0 MHz Low-Pass Filter Response

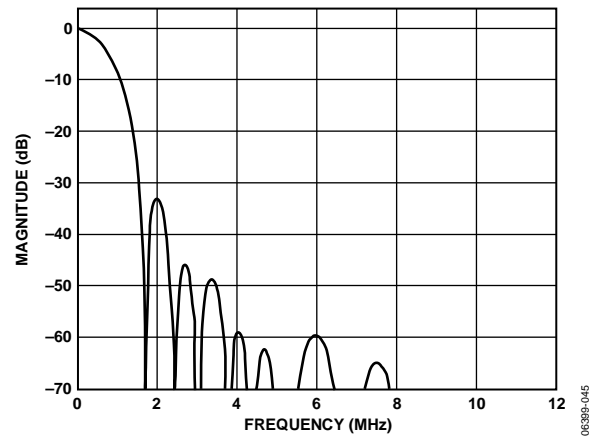


Figure 44. SD Chroma 0.65 MHz Low-Pass Filter Response

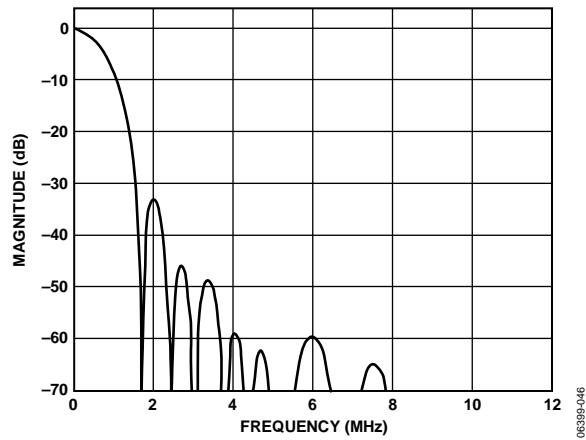


Figure 45. SD Chroma CIF Low-Pass Filter Response

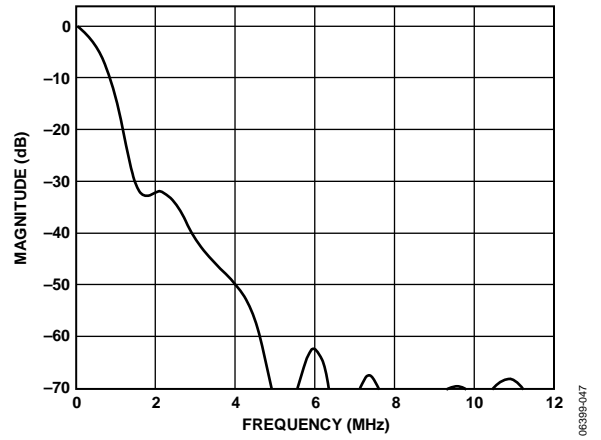


Figure 46. SD Chroma QCIF Low-Pass Filter Response

## MPU PORT DESCRIPTION

Devices such as a microprocessor can communicate with the [ADV7342/ADV7343](#) through a 2-wire serial (I<sup>2</sup>C-compatible) bus. After power-up or reset, the MPU port is configured for I<sup>2</sup>C operation.

### I<sup>2</sup>C OPERATION

The [ADV7342/ADV7343](#) support a 2-wire serial (I<sup>2</sup>C-compatible) microprocessor bus driving multiple peripherals. This port operates in an open-drain configuration. Two wires, serial data (SDA) and serial clock (SCL), carry information between any device connected to the bus and the [ADV7342/ADV7343](#). The slave address of the device depends on the device ([ADV7342](#) or [ADV7343](#)), the operation (read or write), and the state of the ALSB pin (0 or 1). See Table 16, Figure 47, and Figure 48. The LSB sets either a read or a write operation. Logic 1 corresponds to a read operation, and Logic 0 corresponds to a write operation. A1 is controlled by setting the ALSB pin of the [ADV7342/ADV7343](#) to Logic 0 or Logic 1.

Table 16. [ADV7342/ADV7343](#) I<sup>2</sup>C Slave Addresses

| Device                  | ALSB | Operation | Slave Address |
|-------------------------|------|-----------|---------------|
| <a href="#">ADV7342</a> | 0    | Write     | 0xD4          |
|                         | 0    | Read      | 0xD5          |
|                         | 1    | Write     | 0xD6          |
|                         | 1    | Read      | 0xD7          |
| <a href="#">ADV7343</a> | 0    | Write     | 0x54          |
|                         | 0    | Read      | 0x55          |
|                         | 1    | Write     | 0x56          |
|                         | 1    | Read      | 0x57          |

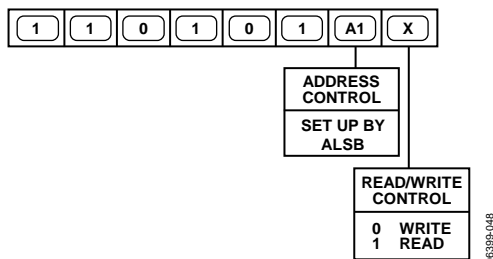


Figure 47. [ADV7342](#) I<sup>2</sup>C Slave Address

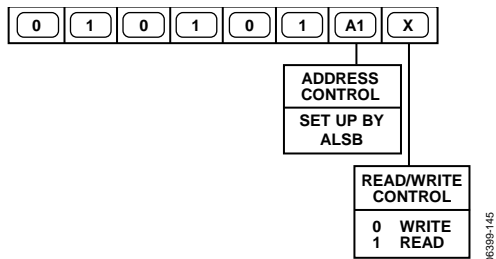


Figure 48. [ADV7343](#) I<sup>2</sup>C Slave Address

Analog Devices, Inc., recommends tying up ALSB. If this is not done, a power supply sequence (PSS) may be required. For more information on the PSS, see the Power Supply Sequencing section. The various devices on the bus use the following protocol. The

master initiates a data transfer by establishing a start condition, defined by a high-to-low transition on SDA while SCL remains high. This indicates that an address/data stream follows. All peripherals respond to the start condition and shift the next eight bits (7-bit address plus the R/W bit). The bits are transferred from MSB down to LSB. The peripheral that recognizes the transmitted address responds by pulling the data line low during the ninth clock pulse. This is known as an acknowledge bit. All other devices withdraw from the bus at this point and maintain an idle condition. The idle condition occurs when the device monitors the SDA and SCL lines waiting for the start condition and the correct transmitted address. The R/W bit determines the direction of the data.

Logic 0 on the LSB of the first byte means that the master writes information to the peripheral. Logic 1 on the LSB of the first byte means that the master reads information from the peripheral.

The [ADV7342/ADV7343](#) act as a standard slave device on the bus. The data on the SDA pin is eight bits long, supporting the 7-bit addresses plus the R/W bit. It interprets the first byte as the device address and the second byte as the starting subaddress. There is a subaddress auto-increment facility. This allows data to be written to or read from registers in ascending subaddress sequence starting at any valid subaddress. A data transfer is always terminated by a stop condition. The user can also access any unique subaddress register on a one-by-one basis without updating all the registers.

Stop and start conditions can be detected at any stage during the data transfer. If these conditions are asserted out of sequence with normal read and write operations, they cause an immediate jump to the idle condition. During a given SCL high period, the user should issue only a start condition, a stop condition, or a stop condition followed by a start condition. If an invalid subaddress is issued by the user, the [ADV7342/ADV7343](#) do not issue an acknowledge but return to the idle condition. If the user uses the auto-increment method of addressing the encoder and exceeds the highest subaddress, the following actions are taken:

- In read mode, the highest subaddress register contents are output until the master device issues a no acknowledge. This indicates the end of a read. A no acknowledge condition occurs when the SDA line is not pulled low on the ninth pulse.
- In write mode, the data for the invalid byte is not loaded into any subaddress register, a no acknowledge is issued by the [ADV7342/ADV7343](#), and the parts return to the idle condition.

Figure 49 shows data transfer for a write sequence and the start and stop conditions. Figure 50 shows bus write and read sequences.

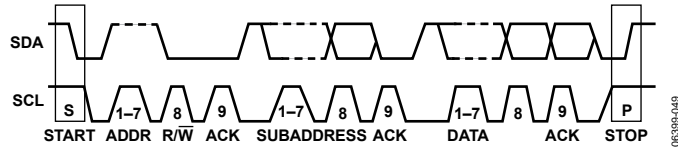


Figure 49. I<sup>2</sup>C Data Transfer

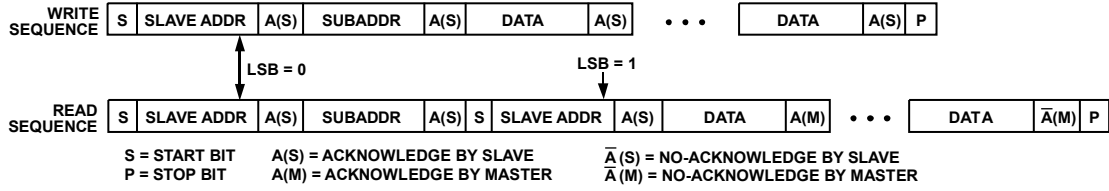


Figure 50. I<sup>2</sup>C Read and Write Sequence

06395-050

## REGISTER MAP ACCESS

A microprocessor can read from or write to all registers of the [ADV7342/ADV7343](#) via the MPU port, except for registers that are specified as read-only or write-only registers.

The subaddress register determines which register the next read or write operation accesses. All communication through the MPU port starts with an access to the subaddress register. A read/write operation is then performed from/to the target address, which increments to the next address until the transaction is complete.

## REGISTER PROGRAMMING

Table 17 to Table 35 describe the functionality of each register. All registers can be read from as well as written to, unless otherwise stated.

### SUBADDRESS REGISTER (SR7 TO SR0)

The subaddress register is an 8-bit write-only register. After the MPU port is accessed and a read/write operation is selected, the subaddress is set up. The subaddress register determines to or from which register the operation takes place.

Table 17. Register 0x00

| SR7 to SR0 | Register   | Bit Description   | Bit Number |   |   |        |        |        |   |        | Register Setting      | Reset Value                     |      |
|------------|------------|---|------------|---|---|--------|--------|--------|---|--------|-----------------------|---------------------------------|------|
|            |            |   | 7          | 6 | 5 | 4      | 3      | 2      | 1 | 0      |                       |                                 |      |
| 0x00       | Power mode | Sleep mode. With this control enabled, the current consumption is reduced to $\mu$ A level. All DACs and the internal PLL circuits are disabled. Registers can be read from and written to in sleep mode. |            |   |   |        |        |        |   |        | 0<br>1                | Sleep mode off<br>Sleep mode on | 0x12 |
|            |            | PLL and oversampling control. This control allows the internal PLL 1 circuit to be powered down and the oversampling to be switched off.  |            |   |   |        |        |        |   | 0<br>1 | PLL 1 on<br>PLL 1 off |                                 |      |
|            |            | DAC 3: power on/off.  |            |   |   |        |        |        |   | 0<br>1 | DAC 3 off<br>DAC 3 on |                                 |      |
|            |            | DAC 2: power on/off.  |            |   |   |        |        | 0<br>1 |   |        | DAC 2 off<br>DAC 2 on |                                 |      |
|            |            | DAC 1: power on/off.  |            |   |   |        | 0<br>1 |        |   |        | DAC 1 off<br>DAC 1 on |                                 |      |
|            |            | DAC 6: power on/off.  |            |   |   | 0<br>1 |        |        |   |        | DAC 6 off<br>DAC 6 on |                                 |      |
|            |            | DAC 5: power on/off.  |            |   |   |        | 0<br>1 |        |   |        | DAC 5 off<br>DAC 5 on |                                 |      |
|            |            | DAC 4: power on/off.  |            |   |   |        |        |        |   | 0<br>1 | DAC 4 off<br>DAC 4 on |                                 |      |

Table 18. Register 0x01 to Register 0x09

| SR7 to SR0 | Register    | Bit Description  | Bit Number <sup>1</sup> |                                 |                                 |                                 |                                 |   |                  |                  | Register Setting   | Reset Value   |      |
|------------|-------------|--|-------------------------|---------------------------------|---------------------------------|---------------------------------|---------------------------------|---|------------------|------------------|--|---|------|
|            |             |  | 7                       | 6                               | 5                               | 4                               | 3                               | 2 | 1                | 0                |  |   |      |
| 0x01       | Mode select | Reserved.  |                         |                                 |                                 |                                 |                                 |   |                  |                  | 0  |   | 0x00 |
|            |             | DDR clock edge alignment (only used for ED- <sup>2</sup> and HD-DDR modes) |                         |                                 |                                 |                                 |                                 |   | 0<br>0<br>1<br>1 | 0<br>1<br>0<br>1 | Chroma clocked in on rising clock edge;<br>luma clocked in on falling clock edge<br>Reserved<br>Reserved<br>Luma clocked in on rising clock edge;<br>chroma clocked in on falling clock edge |   |      |
|            |             | Reserved.  |                         |                                 |                                 |                                 |                                 |   | 0                |                  |  |   |      |
|            |             | Input mode (see Register 0x30, Bits[7:3] for ED/HD standard selection)     |                         | 0<br>0<br>0<br>1<br>1<br>1<br>1 | 0<br>0<br>1<br>1<br>0<br>1<br>1 | 0<br>1<br>0<br>1<br>0<br>1<br>1 | 0<br>1<br>0<br>1<br>0<br>1<br>1 |   |                  |                  | SD input only<br>ED/HD-SDR input only<br>ED/HD-DDR input only<br>SD and ED/HD-SDR<br>SD and ED/HD-DDR<br>Reserved<br>Reserved<br>ED only (at 54 MHz)   |   |      |
|            |             | Y/C/S bus swap   |                         | 0<br>1                          |                                 |                                 |                                 |   |                  |                  |  | Allows data to be applied to data ports in various configurations (SD feature only) |      |

| SR7 to<br>SR0 | Register           | Bit Description                       | Bit Number <sup>1</sup> |        |        |        |        |   |        |        | Register Setting | Reset Value   |                  |  |      |
|---------------|--------------------|---------------------------------------|-------------------------|--------|--------|--------|--------|---|--------|--------|------------------|---|------------------|--|------|
|               |                    |                                       | 7                       | 6      | 5      | 4      | 3      | 2 | 1      | 0      |                  |   |                  |  |      |
| 0x02          | Mode Register 0    | Reserved                              |                         |        |        |        |        |   |        |        | 0                | 0 must be written to this bit   | 0x20             |  |      |
|               |                    | HD interlace external VSYNC and HSYNC |                         |        |        |        |        |   |        | 0<br>1 |                  | Default<br>If using HD $\overline{\text{HSYNC}}$ / $\overline{\text{VSYNC}}$ interlace mode, setting this bit to 1 is recommended (see the HD Interlace External P_HSYNC and P_VSYNC Considerations section for more information) |                  |  |      |
|               |                    | Test pattern black bar. <sup>3</sup>  |                         |        |        |        |        |   | 0<br>1 |        |                  | Disabled<br>Enabled   |                  |  |      |
|               |                    | Manual CSC matrix adjust              |                         |        |        |        | 0<br>1 |   |        |        |                  | Disable manual CSC matrix adjust<br>Enable manual CSC matrix adjust   |                  |  |      |
|               |                    | Sync on RGB                           |                         |        |        | 0<br>1 |        |   |        |        |                  | No sync<br>Sync on all RGB outputs  |                  |  |      |
|               |                    | RGB/YPrPb output select               |                         |        | 0<br>1 |        |        |   |        |        |                  | RGB component outputs<br>YPrPb component outputs  |                  |  |      |
|               |                    | SD sync output enable                 |                         | 0<br>1 |        |        |        |   |        |        |                  | No sync output<br>Output SD syncs on $\overline{\text{HSYNC}}$ and $\overline{\text{VSYNC}}$ pins   |                  |  |      |
|               |                    | ED/HD sync output enable              | 0<br>1                  |        |        |        |        |   |        |        |                  | No sync output<br>Output ED/HD syncs on $\overline{\text{HSYNC}}$ and $\overline{\text{VSYNC}}$ pins  |                  |  |      |
| 0x03          | ED/HD CSC Matrix 0 |                                       |                         |        |        |        |        |   |        | x      | x                | LSBs for GY   | 0x03             |  |      |
| 0x04          | ED/HD CSC Matrix 1 |                                       |                         |        |        |        |        |   |        |        |                  | x   | x                | LSBs for RV<br>LSBs for BU<br>LSBs for GV<br>LSBs for GU | 0xF0 |
| 0x05          | ED/HD CSC Matrix 2 | x                                     | x                       | x      | x      | x      | x      | x | x      | x      | x                |   | Bits[9:2] for GY | 0x4E   |      |
| 0x06          | ED/HD CSC Matrix 3 | x                                     | x                       | x      | x      | x      | x      | x | x      | x      | x                |   | Bits[9:2] for GU | 0x0E   |      |
| 0x07          | ED/HD CSC Matrix 4 | x                                     | x                       | x      | x      | x      | x      | x | x      | x      | x                |   | Bits[9:2] for GV | 0x24   |      |
| 0x08          | ED/HD CSC Matrix 5 | x                                     | x                       | x      | x      | x      | x      | x | x      | x      | x                |   | Bits[9:2] for BU | 0x92   |      |
| 0x09          | ED/HD CSC Matrix 6 | x                                     | x                       | x      | x      | x      | x      | x | x      | x      | x                |   | Bits[9:2] for RV | 0x7C   |      |

<sup>1</sup> x = Logic 0 or Logic 1.<sup>2</sup> ED = enhanced definition = 525p and 625p.<sup>3</sup> Subaddress 0x31, Bit 2 must also be enabled (ED/HD). Subaddress 0x84, Bit 6 must also be enabled (SD).

Table 19. Register 0x0A to Register 0x10

| SR7 to<br>SR0                  | Register                          | Bit Description                     | Bit Number |     |     |     |     |     |                         | Register Setting           | Reset Value              |         |      |
|--------------------------------|-----------------------------------|-------------------------------------|------------|-----|-----|-----|-----|-----|-------------------------|----------------------------|--------------------------|---------|------|
|                                |                                   |                                     | 7          | 6   | 5   | 4   | 3   | 2   | 1                       |                            |                          | 0       |      |
| 0x0A                           | DAC 4, DAC 5, DAC 6 output levels | Positive gain to DAC output voltage | 0          | 0   | 0   | 0   | 0   | 0   | 0                       | 0                          | 0                        | 0%      | 0x00 |
|                                |                                   |                                     | 0          | 0   | 0   | 0   | 0   | 0   | 0                       | 0                          | 1                        | +0.018% |      |
|                                |                                   |                                     | 0          | 0   | 0   | 0   | 0   | 0   | 0                       | 1                          | 0                        | +0.036% |      |
|                                |                                   |                                     | ...        | ... | ... | ... | ... | ... | ...                     | ...                        | ...                      | ...     |      |
|                                |                                   |                                     | 0          | 0   | 1   | 1   | 1   | 1   | 1                       | 1                          | 1                        | +7.382% |      |
|                                |                                   | 0                                   | 1          | 0   | 0   | 0   | 0   | 0   | 0                       | 0                          | +7.5%                    |         |      |
|                                |                                   | Negative gain to DAC output voltage | 1          | 1   | 0   | 0   | 0   | 0   | 0                       | 0                          | 0                        | -7.5%   |      |
|                                |                                   |                                     | 1          | 1   | 0   | 0   | 0   | 0   | 0                       | 0                          | 1                        | -7.382% |      |
|                                |                                   |                                     | 1          | 0   | 0   | 0   | 0   | 0   | 0                       | 1                          | 0                        | -7.364% |      |
|                                |                                   |                                     | ...        | ... | ... | ... | ... | ... | ...                     | ...                        | ...                      | ...     |      |
| 1                              | 1                                 |                                     | 1          | 1   | 1   | 1   | 1   | 1   | 1                       | -0.018%                    |                          |         |      |
| 0x0B                           | DAC 1, DAC 2, DAC 3 output levels | Positive gain to DAC output voltage | 0          | 0   | 0   | 0   | 0   | 0   | 0                       | 0                          | 0                        | 0%      | 0x00 |
|                                |                                   |                                     | 0          | 0   | 0   | 0   | 0   | 0   | 0                       | 0                          | 1                        | +0.018% |      |
|                                |                                   |                                     | 0          | 0   | 0   | 0   | 0   | 0   | 0                       | 1                          | 0                        | +0.036% |      |
|                                |                                   |                                     | ...        | ... | ... | ... | ... | ... | ...                     | ...                        | ...                      | ...     |      |
|                                |                                   |                                     | 0          | 0   | 1   | 1   | 1   | 1   | 1                       | 1                          | 1                        | +7.382% |      |
|                                |                                   | 0                                   | 1          | 0   | 0   | 0   | 0   | 0   | 0                       | 0                          | +7.5%                    |         |      |
|                                |                                   | Negative gain to DAC output voltage | 1          | 1   | 0   | 0   | 0   | 0   | 0                       | 0                          | 0                        | -7.5%   |      |
|                                |                                   |                                     | 1          | 1   | 0   | 0   | 0   | 0   | 0                       | 0                          | 1                        | -7.382% |      |
|                                |                                   |                                     | 1          | 0   | 0   | 0   | 0   | 0   | 0                       | 1                          | 0                        | -7.364% |      |
|                                |                                   |                                     | ...        | ... | ... | ... | ... | ... | ...                     | ...                        | ...                      | ...     |      |
| 1                              | 1                                 |                                     | 1          | 1   | 1   | 1   | 1   | 1   | 1                       | -0.018%                    |                          |         |      |
| 0x0D                           | DAC power mode                    | DAC 1 low power enable              |            |     |     |     |     |     |                         | 0                          | DAC 1 low power disabled | 0x00    |      |
|                                |                                   |                                     |            |     |     |     |     |     |                         | 1                          | DAC 1 low power enabled  |         |      |
|                                |                                   | DAC 2 low power enable              |            |     |     |     |     |     | 0                       |                            | DAC 2 low power disabled |         |      |
|                                |                                   |                                     |            |     |     |     |     |     | 1                       |                            | DAC 2 low power enabled  |         |      |
|                                |                                   | DAC 3 low power enable              |            |     |     |     |     | 0   |                         |                            | DAC 3 low power disabled |         |      |
|                                |                                   |                                     |            |     |     | 1   |     |     | DAC 3 low power enabled |                            |                          |         |      |
|                                |                                   |                                     | 0          | 0   | 0   | 0   |     |     |                         | Reserved                   |                          |         |      |
| 0x10                           | Cable detection                   | DAC 1 cable detect (read only)      |            |     |     |     |     |     |                         | 0                          | Cable detected on DAC 1  | 0x00    |      |
|                                |                                   |                                     |            |     |     |     |     |     |                         | 1                          | DAC 1 unconnected        |         |      |
|                                |                                   | DAC 2 cable detect (read only)      |            |     |     |     |     |     | 0                       |                            | Cable detected on DAC 2  |         |      |
|                                |                                   |                                     |            |     |     |     |     |     | 1                       |                            | DAC 2 unconnected        |         |      |
|                                |                                   | Reserved                            |            |     |     |     | 0   | 0   |                         |                            |                          |         |      |
| Unconnected DAC autopower-down |                                   |                                     |            | 0   |     |     |     |     |                         | DAC autopower-down disable |                          |         |      |
|                                |                                   |                                     | 1          |     |     |     |     |     |                         | DAC autopower-down enable  |                          |         |      |
|                                |                                   |                                     | 0          | 0   | 0   |     |     |     |                         | Reserved                   |                          |         |      |



Table 20. Register 0x12 to Register 0x17

| SR7 to<br>SR0 | Register                    | Bit Description  | Bit Number <sup>1</sup> |   |   |   |   |   |   |        | Register Setting                      | Reset Value  |      |
|---------------|-----------------------------|--|-------------------------|---|---|---|---|---|---|--------|---------------------------------------|--|------|
|               |                             |  | 7                       | 6 | 5 | 4 | 3 | 2 | 1 | 0      |                                       |  |      |
| 0x12          | Pixel port readback (S bus) | S[7:0] readback  | x                       | x | x | x | x | x | x | x      | x                                     | Read only.   | 0xXX |
| 0x13          | Pixel port readback (Y bus) | Y[7:0] readback  | x                       | x | x | x | x | x | x | x      | x                                     | Read only.   | 0xXX |
| 0x14          | Pixel port readback (C bus) | C[7:0] readback  | x                       | x | x | x | x | x | x | x      | x                                     | Read only.   | 0xXX |
| 0x16          | Control port readback       | P_BLANK<br>P_VSYNC<br>P_HSYNC<br>S_VSYNC<br>S_HSYNC<br>SFL<br>Reserved |                         |   |   |   |   |   |   |        | x<br><br>x<br><br>x<br><br>x<br><br>0 | Read only.   | 0xXX |
| 0x17          | Software reset              | Reserved   |                         |   |   |   |   |   |   |        |                                       |  | 0x00 |
|               |                             | Software reset   |                         |   |   |   |   |   |   | 0<br>1 |                                       | Writing a 1 resets the device;<br>this is a self-clearing bit. |      |
|               |                             | Reserved   | 0                       | 0 | 0 | 0 | 0 | 0 |   |        |                                       |  |      |

<sup>1</sup>x = Logic 0 or Logic 1.

Table 21. Register 0x30

| SR7 to<br>SR0 | Register              | Bit Description                    | Bit Number |   |   |   |   |   |   |                              | Register Setting           | Note                               | Reset Value   |      |                     |
|---------------|-----------------------|------------------------------------|------------|---|---|---|---|---|---|------------------------------|----------------------------|------------------------------------|---|------|---------------------|
|               |                       |                                    | 7          | 6 | 5 | 4 | 3 | 2 | 1 | 0                            |                            |                                    |   |      |                     |
| 0x30          | ED/HD Mode Register 1 | ED/HD output standard              |            |   |   |   |   |   |   | 0                            | 0                          | EIA770.2 output                    | ED<br>HD  | 0x00 |                     |
|               |                       |                                    |            |   |   |   |   |   |   | 0                            | 1                          | EIA770.3 output                    |   |      |                     |
|               |                       |                                    |            |   |   |   |   |   |   | 1                            | 0                          | EIA770.1 output                    |   |      |                     |
|               |                       |                                    |            |   |   |   |   |   |   | 1                            | 1                          | Output levels for full input range |   |      |                     |
|               |                       |                                    |            |   |   |   |   |   |   |                              |                            | Reserved                           |   |      |                     |
|               |                       | ED/HD input synchronization format |            |   |   |   |   |   | 0 |                              |                            |                                    | External HSYNC, VSYNC and field inputs <sup>1</sup> |      |                     |
|               |                       |                                    |            |   |   |   |   |   | 1 |                              |                            |                                    | Embedded EAV/SAV codes                              |      |                     |
|               |                       | ED/HD standard <sup>2</sup>        | 0          | 0 | 0 | 0 | 0 |   |   |                              |                            |                                    | SMPTE 293M, ITU-BT.1358                             |      | 525p at 59.94 Hz    |
|               |                       |                                    | 0          | 0 | 0 | 1 | 0 |   |   |                              |                            |                                    | BTA-1004, ITU-BT.1362                               |      | 525p at 59.94 Hz    |
|               |                       |                                    | 0          | 0 | 0 | 1 | 1 |   |   |                              |                            |                                    | ITU-BT.1358   |      | 625p at 50 Hz       |
|               |                       |                                    | 0          | 0 | 1 | 0 | 0 |   |   |                              |                            |                                    | ITU-BT.1362   |      | 625p at 50 Hz       |
|               |                       |                                    | 0          | 0 | 1 | 0 | 1 |   |   |                              |                            |                                    | SMPTE 296M-1, SMPTE 274M-2                          |      | 720p at 60/59.94 Hz |
|               |                       |                                    | 0          | 0 | 1 | 1 | 0 |   |   |                              |                            |                                    | SMPTE 296M-3  |      | 720p at 50 Hz       |
|               |                       |                                    | 0          | 0 | 1 | 1 | 1 |   |   |                              |                            |                                    | SMPTE 296M-4, SMPTE 274M-5                          |      | 720p at 30/29.97 Hz |
|               |                       |                                    | 0          | 1 | 0 | 0 | 0 |   |   |                              |                            |                                    | SMPTE 296M-6  |      | 720p at 25 Hz       |
| 0             | 1                     |                                    | 0          | 0 | 1 |   |   |   |   |                              | SMPTE 296M-7, SMPTE 296M-8 | 720p at 24/23.98 Hz                |   |      |                     |
| 0             | 1                     |                                    | 0          | 1 | 0 |   |   |   |   |                              | SMPTE 240M                 | 1035i at 60/59.94 Hz               |   |      |                     |
| 0             | 1                     |                                    | 0          | 1 | 1 |   |   |   |   |                              | Reserved                   |                                    |   |      |                     |
| 0             | 1                     |                                    | 1          | 0 | 0 |   |   |   |   |                              | Reserved                   |                                    |   |      |                     |
| 0             | 1                     | 1                                  | 0          | 1 |   |   |   |   |   | SMPTE 274M-4, SMPTE 274M-5   | 1080i at 30/29.97 Hz       |                                    |   |      |                     |
| 0             | 1                     | 1                                  | 1          | 0 |   |   |   |   |   | SMPTE 274M-6                 | 1080i at 25 Hz             |                                    |   |      |                     |
| 0             | 1                     | 1                                  | 1          | 1 |   |   |   |   |   | SMPTE 274M-7, SMPTE 274M-8   | 1080p at 30/29.97 Hz       |                                    |   |      |                     |
| 1             | 0                     | 0                                  | 0          | 0 |   |   |   |   |   | SMPTE 274M-9                 | 1080p at 25 Hz             |                                    |   |      |                     |
| 1             | 0                     | 0                                  | 0          | 0 | 1 |   |   |   |   | SMPTE 274M-10, SMPTE 274M-11 | 1080p at 24/23.98 Hz       |                                    |   |      |                     |
| 1             | 0                     | 0                                  | 1          | 0 |   |   |   |   |   | ITU-R BT.709-5               | 1080Psf at 24 Hz           |                                    |   |      |                     |
|               |                       |                                    |            |   |   |   |   |   |   |                              | Reserved                   |                                    |   |      |                     |

<sup>1</sup> Synchronization can be controlled with a combination of either HSYNC and VSYNC inputs or HSYNC and field inputs, depending on Subaddress 0x34, Bit 6.

<sup>2</sup> See the HD Interlace External P\_HSYNC and P\_VSYNC Considerations section for more information.

Table 22. Register 0x31 to Register 0x33

| SR7 to<br>SR0          | Register              | Bit Description   | Bit Number |   |   |   |   |          |   | Register Setting        | Reset Value           |                     |  |      |                                |
|------------------------|-----------------------|---|------------|---|---|---|---|----------|---|-------------------------|-----------------------|---------------------|--|------|--------------------------------|
|                        |                       |   | 7          | 6 | 5 | 4 | 3 | 2        | 1 |                         |                       | 0                   |  |      |                                |
| 0x31                   | ED/HD Mode Register 2 | ED/HD pixel data valid                                      |            |   |   |   |   |          |   | 0                       | Pixel data valid off. | 0x00                |  |      |                                |
|                        |                       | Reserved  |            |   |   |   |   |          | 0 |                         |                       |                     |  |      |                                |
|                        |                       | ED/HD test pattern enable                                   |            |   |   |   |   | 0        |   | ED/HD test pattern off. |                       |                     |  |      |                                |
|                        |                       |   |            |   |   |   |   | 1        |   | ED/HD test pattern on.  |                       |                     |  |      |                                |
|                        |                       | ED/HD test pattern hatch/field                              |            |   |   |   | 0 |          |   | Hatch.                  |                       |                     |  |      |                                |
|                        |                       |   |            |   |   |   | 1 |          |   | Field/frame.            |                       |                     |  |      |                                |
|                        |                       | ED/HD VBI open  |            |   |   | 0 |   |          |   | Disabled.               |                       |                     |  |      |                                |
|                        |                       |   |            | 1 |   |   |   | Enabled. |   |                         |                       |                     |  |      |                                |
| 0x32                   | ED/HD Mode Register 3 | ED/HD Y delay with respect to the falling edge of HSYNC     |            |   |   |   |   |          | 0 | 0                       | 0                     | 0                   | 0 clock cycles.                                      | 0x00 |                                |
|                        |                       |   |            |   |   |   |   |          | 0 | 0                       | 1                     | 1                   | One clock cycle.                                     |      |                                |
|                        |                       |   |            |   |   |   |   |          |   | 0                       | 1                     | 0                   | 0  |      | Two clock cycles.              |
|                        |                       |   |            |   |   |   |   |          |   | 0                       | 1                     | 1                   | 1  |      | Three clock cycles.            |
|                        |                       |   |            |   |   |   |   |          |   | 1                       | 0                     | 0                   | 0  |      | Four clock cycles.             |
|                        |                       | ED/HD color delay with respect to the falling edge of HSYNC |            |   | 0 | 0 | 0 |          |   |                         |                       |                     |  |      | 0 clock cycles.                |
|                        |                       |   |            |   | 0 | 0 | 1 |          |   |                         |                       |                     |  |      | One clock cycle.               |
|                        |                       |   | 0          | 1 | 0 |   |   |          |   |                         |                       | Two clock cycles.   |  |      |                                |
|                        |                       |   | 0          | 1 | 1 |   |   |          |   |                         |                       | Three clock cycles. |  |      |                                |
|                        |                       |   | 1          | 0 | 0 |   |   |          |   |                         |                       | Four clock cycles.  |  |      |                                |
| 0x33                   | ED/HD Mode Register 4 | ED/HD CGMS  |            | 0 |   |   |   |          |   |                         |                       | Disabled.           | 0x68   |      |                                |
|                        |                       |   |            | 1 |   |   |   |          |   |                         |                       | Enabled.            |  |      |                                |
| 0x33                   | ED/HD Mode Register 4 | ED/HD Cr/Cb sequence  |            |   |   |   |   |          |   | 0                       |                       |                     | Cb after falling edge of $\overline{\text{HSYNC}}$ . | 0x68 |                                |
|                        |                       |   |            |   |   |   |   |          | 1 |                         |                       |                     | Cr after falling edge of $\overline{\text{HSYNC}}$   |      |                                |
|                        |                       | Reserved  |            |   |   |   |   | 0        | 0 |                         |                       |                     | 0 must be written to these bits.                     |      |                                |
|                        |                       | Sinc compensation filter on DAC 1, DAC 2, DAC 3             |            |   |   |   | 0 |          |   |                         |                       |                     | Disabled.  |      |                                |
|                        |                       |   |            |   |   |   | 1 |          |   |                         |                       |                     | Enabled  |      |                                |
|                        |                       | Reserved  |            |   |   | 0 |   |          |   |                         |                       |                     |  |      | 0 must be written to this bit. |
|                        |                       | ED/HD chroma SSAF   |            |   | 0 |   |   |          |   |                         |                       |                     |  |      | Disabled.                      |
|                        |                       |   | 1          |   |   |   |   |          |   |                         |                       | Enabled.            |  |      |                                |
| ED/HD chroma input     |                       | 0   |            |   |   |   |   |          |   |                         |                       | 4:4:4.              |  |      |                                |
|                        |                       | 1   |            |   |   |   |   |          |   |                         |                       | 4:2:2               |  |      |                                |
| ED/HD double buffering | 0                     |   |            |   |   |   |   |          |   |                         |                       | Disabled.           |  |      |                                |
|                        | 1                     |   |            |   |   |   |   |          |   |                         |                       | Enabled.            |  |      |                                |

Table 23. Register 0x34 to Register 0x35

| SR7 to<br>SR0                             | Register              | Bit Description                     | Bit Number                    |                          |   |                          |                        |          |  |   | Register Setting                       | Reset Value |
|---|-----------------------|-------------------------------------|-------------------------------|--------------------------|---|--------------------------|------------------------|----------|--|---|--|-------------|
|   |                       |                                     | 7                             | 6                        | 5 | 4                        | 3                      | 2        | 1  | 0   |  |             |
| 0x34                                      | ED/HD Mode Register 5 | ED/HD timing reset                  |                               |                          |   |                          |                        |          |  | 0   | Internal ED/HD timing counters enabled | 0x48        |
|   |                       |                                     |                               |                          |   |                          |                        |          | 0  | Resets the internal ED/HD timing counters |  |             |
|   |                       | ED/HD HSYNC control <sup>1</sup>    |                               |                          |   |                          |                        |          | 0  | HSYNC output control (refer to Table 56)  |  |             |
|   |                       |                                     |                               |                          |   |                          |                        |          | 1  |   |  |             |
|   |                       | ED/HD VSYNC control <sup>1</sup>    |                               |                          |   |                          |                        | 0        | VSYNC output control (refer to Table 57) |   |  |             |
|   |                       |                                     |                               |                          |   |                          |                        | 1        |  |   |  |             |
|   |                       | ED/HD blank polarity                |                               |                          |   | 0                        | P_BLANK active high    |          |  |   |  |             |
|   |                       |                                     |                               |                          |   | 1                        | P_BLANK active low     |          |  |   |  |             |
| ED Macrovision® enable                    |                       |                                     | 0                             | Macrovision disabled     |   |                          |                        |          |  |   |  |             |
|   |                       |                                     | 1                             | Macrovision enabled      |   |                          |                        |          |  |   |  |             |
| Reserved                                  |                       | 0                                   | 0 must be written to this bit |                          |   |                          |                        |          |  |   |  |             |
| ED/HD VSYNC/field input                   |                       | 0                                   | 0 = field input               |                          |   |                          |                        |          |  |   |  |             |
|   |                       | 1                                   | 1 = VSYNC input               |                          |   |                          |                        |          |  |   |  |             |
| Horizontal/vertical counters <sup>2</sup> | 0                     | Update field/line counter           |                               |                          |   |                          |                        |          |  |   |  |             |
|   | 1                     | Field/line counter free running     |                               |                          |   |                          |                        |          |  |   |  |             |
| 0x35                                      | ED/HD Mode Register 6 | Reserved                            |                               |                          |   |                          |                        |          | 0  |   | 0x00                                   |             |
|   |                       | ED/HD RGB input enable              |                               |                          |   |                          |                        | 0        | Disabled                                 |   |  |             |
|   |                       |                                     |                               |                          |   |                          |                        | 1        | Enabled                                  |   |  |             |
|   |                       | ED/HD sync on PrPb                  |                               |                          |   |                          | 0                      | Disabled |  |   |  |             |
|   |                       |                                     |                               |                          |   |                          | 1                      | Enabled  |  |   |  |             |
|   |                       | ED/HD color DAC swap                |                               |                          |   | 0                        | DAC 2 = Pb, DAC 3 = Pr |          |  |   |  |             |
|   |                       |                                     |                               |                          |   | 1                        | DAC 2 = Pr, DAC 3 = Pb |          |  |   |  |             |
|   |                       | ED/HD gamma correction curve select |                               |                          | 0 | Gamma Correction Curve A |                        |          |  |   |  |             |
|   |                       |                                     | 1                             | Gamma Correction Curve B |   |                          |                        |          |  |   |  |             |
| ED/HD gamma correction enable             |                       | 0                                   | Disabled                      |                          |   |                          |                        |          |  |   |  |             |
|   |                       | 1                                   | Enabled                       |                          |   |                          |                        |          |  |   |  |             |
| ED/HD adaptive filter mode                |                       | 0                                   | Mode A                        |                          |   |                          |                        |          |  |   |  |             |
|   |                       | 1                                   | Mode B                        |                          |   |                          |                        |          |  |   |  |             |
| ED/HD adaptive filter enable              | 0                     | Disabled                            |                               |                          |   |                          |                        |          |  |   |  |             |
|   | 1                     | Enabled                             |                               |                          |   |                          |                        |          |  |   |  |             |

<sup>1</sup> Used in conjunction with ED/HD sync in Subaddress 0x02, Bit 7, set to 1.

<sup>2</sup> When set to 0, the horizontal/vertical counters automatically wrap around at the end of the line/field/frame of the selected standard. When set to 1, the horizontal/vertical counters are free running and wrap around when external sync signals indicate to do so.

Table 24. Register 0x36 to Register 0x43

| SR7 to<br>SR0 | Register                    | Bit Description                               | Bit Number <sup>1</sup> |     |     |     |     |     |     |     | Register Setting | Reset Value |
|---------------|-----------------------------|---|-------------------------|-----|-----|-----|-----|-----|-----|-----|------------------|-------------|
|               |                             |   | 7                       | 6   | 5   | 4   | 3   | 2   | 1   | 0   |                  |             |
| 0x36          | ED/HD Y level <sup>2</sup>  | ED/HD Test Pattern Y level                    | x                       | x   | x   | x   | x   | x   | x   | x   | Y level value    | 0xA0        |
| 0x37          | ED/HD Cr level <sup>2</sup> | ED/HD Test Pattern Cr level                   | x                       | x   | x   | x   | x   | x   | x   | x   | Cr level value   | 0x80        |
| 0x38          | ED/HD Cb level <sup>2</sup> | ED/HD Test Pattern Cb level                   | x                       | x   | x   | x   | x   | x   | x   | x   | Cb level value   | 0x80        |
| 0x39          | ED/HD Mode Register 7       | Reserved                                      |                         |     |     | 0   | 0   | 0   | 0   | 0   |                  |             |
|               |                             | ED/HD EIA/CEA-861B synchronization compliance |                         |     | 0   |     |     |     |     |     |                  | Disabled    |
|               |                             | Reserved                                      | 0                       | 0   |     |     |     |     |     |     |                  | Enabled     |
| 0x3A          | ED/HD Mode Register 8       | INV_PHSYNC_POL                                |                         |     |     |     |     |     |     |     | 0                | Disabled    |
|               |                             | INV_PVSYNC_POL                                |                         |     |     |     |     |     | 0   |     | 1                | Enabled     |
|               |                             | INV_PBLANK_POL                                |                         |     |     |     |     | 0   |     |     |                  | Disabled    |
|               |                             | Reserved                                      | 0                       | 0   | 0   | 0   | 0   |     |     |     |                  | Enabled     |
| 0x40          | ED/HD sharpness filter gain | ED/HD sharpness filter gain, Value A          |                         |     |     |     | 0   | 0   | 0   | 0   | Gain A = 0       | 0x00        |
|               |                             | ED/HD sharpness filter gain, Value B          | 0                       | 0   | 0   | 0   | 0   | 0   | 0   | 1   | Gain A = +1      |             |
|               |                             |   | ...                     | ... | ... | ... | ... | ... | ... | ... | Gain A = +7      |             |
|               |                             |   | 0                       | 1   | 1   | 1   | 1   | 1   | 1   | 1   | Gain A = +7      |             |
|               |                             |   | 1                       | 0   | 0   | 0   | 0   | 0   | 0   | 0   | Gain A = -8      |             |
|               |                             |   | ...                     | ... | ... | ... | ... | ... | ... | ... | Gain A = -8      |             |
|               |                             |   | 1                       | 1   | 1   | 1   | 1   | 1   | 1   | 1   | Gain A = -1      |             |
| 0x41          | ED/HD CGMS Data 0           | ED/HD CGMS data bits                          | 0                       | 0   | 0   | 0   | C19 | C18 | C17 | C16 | CGMS C19 to C16  | 0x00        |
| 0x42          | ED/HD CGMS Data 1           | ED/HD CGMS data bits                          | C15                     | C14 | C13 | C12 | C11 | C10 | C9  | C8  | CGMS C15 to C8   | 0x00        |
| 0x43          | ED/HD CGMS Data 2           | ED/HD CGMS data bits                          | C7                      | C6  | C5  | C4  | C3  | C2  | C1  | C0  | CGMS C7 to C0    | 0x00        |

<sup>1</sup> x = Logic 0 or Logic 1.

<sup>2</sup> For use with ED/HD internal test patterns only (Subaddress 0x31, Bit 2 = 1).

Table 25. Register 0x44 to Register 0x57

| SR7 to<br>SR0 | Register       | Bit Description                 | Bit Number <sup>1</sup> |   |   |   |   |   |   |   | Register<br>Setting | Reset<br>Value |
|---------------|----------------|---------------------------------|-------------------------|---|---|---|---|---|---|---|---------------------|----------------|
|               |                |                                 | 7                       | 6 | 5 | 4 | 3 | 2 | 1 | 0 |                     |                |
| 0x44          | ED/HD Gamma A0 | ED/HD Gamma Curve A (Point 24)  | x                       | x | x | x | x | x | x | x | A0                  | 0x00           |
| 0x45          | ED/HD Gamma A1 | ED/HD Gamma Curve A (Point 32)  | x                       | x | x | x | x | x | x | x | A1                  | 0x00           |
| 0x46          | ED/HD Gamma A2 | ED/HD Gamma Curve A (Point 48)  | x                       | x | x | x | x | x | x | x | A2                  | 0x00           |
| 0x47          | ED/HD Gamma A3 | ED/HD Gamma Curve A (Point 64)  | x                       | x | x | x | x | x | x | x | A3                  | 0x00           |
| 0x48          | ED/HD Gamma A4 | ED/HD Gamma Curve A (Point 80)  | x                       | x | x | x | x | x | x | x | A4                  | 0x00           |
| 0x49          | ED/HD Gamma A5 | ED/HD Gamma Curve A (Point 96)  | x                       | x | x | x | x | x | x | x | A5                  | 0x00           |
| 0x4A          | ED/HD Gamma A6 | ED/HD Gamma Curve A (Point 128) | x                       | x | x | x | x | x | x | x | A6                  | 0x00           |
| 0x4B          | ED/HD Gamma A7 | ED/HD Gamma Curve A (Point 160) | x                       | x | x | x | x | x | x | x | A7                  | 0x00           |
| 0x4C          | ED/HD Gamma A8 | ED/HD Gamma Curve A (Point 192) | x                       | x | x | x | x | x | x | x | A8                  | 0x00           |
| 0x4D          | ED/HD Gamma A9 | ED/HD Gamma Curve A (Point 224) | x                       | x | x | x | x | x | x | x | A9                  | 0x00           |
| 0x4E          | ED/HD Gamma B0 | ED/HD Gamma Curve B (Point 24)  | x                       | x | x | x | x | x | x | x | B0                  | 0x00           |
| 0x4F          | ED/HD Gamma B1 | ED/HD Gamma Curve B (Point 32)  | x                       | x | x | x | x | x | x | x | B1                  | 0x00           |
| 0x50          | ED/HD Gamma B2 | ED/HD Gamma Curve B (Point 48)  | x                       | x | x | x | x | x | x | x | B2                  | 0x00           |
| 0x51          | ED/HD Gamma B3 | ED/HD Gamma Curve B (Point 64)  | x                       | x | x | x | x | x | x | x | B3                  | 0x00           |
| 0x52          | ED/HD Gamma B4 | ED/HD Gamma Curve B (Point 80)  | x                       | x | x | x | x | x | x | x | B4                  | 0x00           |
| 0x53          | ED/HD Gamma B5 | ED/HD Gamma Curve B (Point 96)  | x                       | x | x | x | x | x | x | x | B5                  | 0x00           |
| 0x54          | ED/HD Gamma B6 | ED/HD Gamma Curve B (Point 128) | x                       | x | x | x | x | x | x | x | B6                  | 0x00           |
| 0x55          | ED/HD Gamma B7 | ED/HD Gamma Curve B (Point 160) | x                       | x | x | x | x | x | x | x | B7                  | 0x00           |
| 0x56          | ED/HD Gamma B8 | ED/HD Gamma Curve B (Point 192) | x                       | x | x | x | x | x | x | x | B8                  | 0x00           |
| 0x57          | ED/HD Gamma B9 | ED/HD Gamma Curve B (Point 224) | x                       | x | x | x | x | x | x | x | B9                  | 0x00           |

<sup>1</sup>x = Logic 0 or Logic 1.

Table 26. Register 0x58 to Register 0x5D

| SR7 to<br>SR0 | Register                             | Bit Description                          | Bit Number <sup>1</sup>             |                                     |                                     |                                     |                                     |                                     |                                     | Register<br>Setting  | Reset<br>Value   |      |
|---------------|--------------------------------------|--|-------------------------------------|-------------------------------------|-------------------------------------|-------------------------------------|-------------------------------------|-------------------------------------|-------------------------------------|--|--|------|
|               |                                      |  | 7                                   | 6                                   | 5                                   | 4                                   | 3                                   | 2                                   | 1                                   |  |  | 0    |
| 0x58          | ED/HD Adaptive Filter Gain 1         | ED/HD Adaptive Filter Gain 1,<br>Value A |                                     |                                     |                                     |                                     | 0<br>0<br>...<br>0<br>1<br>...<br>1 | 0<br>0<br>...<br>1<br>0<br>...<br>1 | 0<br>0<br>...<br>1<br>1<br>...<br>1 | 0<br>1<br>...<br>1<br>0<br>...<br>1  | Gain A = 0<br>Gain A = +1<br>...<br>Gain A = +7<br>Gain A = -8<br>...<br>Gain A = -1 | 0x00 |
|               |                                      | ED/HD Adaptive Filter Gain 1,<br>Value B | 0<br>0<br>...<br>0<br>1<br>...<br>1 | 0<br>0<br>...<br>1<br>0<br>...<br>1 | 0<br>0<br>...<br>1<br>1<br>...<br>1 | 0<br>1<br>...<br>0<br>0<br>...<br>1 |                                     |                                     |                                     | Gain B = 0<br>Gain B = +1<br>...<br>Gain B = +7<br>Gain B = -8<br>...<br>Gain B = -1 |  |      |
| 0x59          | ED/HD Adaptive Filter Gain 2         | ED/HD Adaptive Filter Gain 2,<br>Value A |                                     |                                     |                                     |                                     | 0<br>0<br>...<br>0<br>1<br>...<br>1 | 0<br>0<br>...<br>1<br>0<br>...<br>1 | 0<br>0<br>...<br>1<br>1<br>...<br>1 | 0<br>1<br>...<br>1<br>0<br>...<br>1  | Gain A = 0<br>Gain A = +1<br>...<br>Gain A = +7<br>Gain A = -8<br>...<br>Gain A = -1 | 0x00 |
|               |                                      | ED/HD Adaptive Filter Gain 2,<br>Value B | 0<br>0<br>...<br>0<br>1<br>...<br>1 | 0<br>0<br>...<br>1<br>0<br>...<br>1 | 0<br>0<br>...<br>1<br>1<br>...<br>1 | 0<br>1<br>...<br>0<br>0<br>...<br>1 |                                     |                                     |                                     | Gain B = 0<br>Gain B = +1<br>...<br>Gain B = +7<br>Gain B = -8<br>...<br>Gain B = -1 |  |      |
| 0x5A          | ED/HD Adaptive Filter Gain 3         | ED/HD Adaptive Filter Gain 3,<br>Value A |                                     |                                     |                                     |                                     | 0<br>0<br>...<br>0<br>1<br>...<br>1 | 0<br>0<br>...<br>1<br>0<br>...<br>1 | 0<br>0<br>...<br>1<br>1<br>...<br>1 | 0<br>1<br>...<br>1<br>0<br>...<br>1  | Gain A = 0<br>Gain A = +1<br>...<br>Gain A = +7<br>Gain A = -8<br>...<br>Gain A = -1 | 0x00 |
|               |                                      | ED/HD Adaptive Filter Gain 3,<br>Value B | 0<br>0<br>...<br>0<br>1<br>...<br>1 | 0<br>0<br>...<br>1<br>0<br>...<br>1 | 0<br>0<br>...<br>1<br>1<br>...<br>1 | 0<br>1<br>...<br>0<br>0<br>...<br>1 |                                     |                                     |                                     | Gain B = 0<br>Gain B = +1<br>...<br>Gain B = +7<br>Gain B = -8<br>...<br>Gain B = -1 |  |      |
| 0x5B          | ED/HD Adaptive Filter<br>Threshold A | ED/HD Adaptive Filter Threshold A        | x                                   | x                                   | x                                   | x                                   | x                                   | x                                   | x                                   | x  | Threshold A  | 0x00 |
| 0x5C          | ED/HD Adaptive Filter<br>Threshold B | ED/HD Adaptive Filter Threshold B        | x                                   | x                                   | x                                   | x                                   | x                                   | x                                   | x                                   | x  | Threshold B  | 0x00 |
| 0x5D          | ED/HD Adaptive Filter<br>Threshold C | ED/HD Adaptive Filter Threshold C        | x                                   | x                                   | x                                   | x                                   | x                                   | x                                   | x                                   | x  | Threshold C  | 0x00 |

<sup>1</sup> x = Logic 0 or Logic 1.

Table 27. Register 0x5E to Register 0x6E

| SR7 to<br>SR0 | Register                         | Bit Description                  | Bit Number |      |      |      |      |      |      |        | Register<br>Setting | Reset<br>Value      |      |
|---------------|----------------------------------|----------------------------------|------------|------|------|------|------|------|------|--------|---------------------|---------------------|------|
|               |                                  |                                  | 7          | 6    | 5    | 4    | 3    | 2    | 1    | 0      |                     |                     |      |
| 0x5E          | ED/HD CGMS Type B<br>Register 0  | ED/HD CGMS Type B<br>enable      |            |      |      |      |      |      |      |        | 0<br>1              | Disabled<br>Enabled | 0x00 |
|               |                                  | ED/HD CGMS Type B<br>CRC enable  |            |      |      |      |      |      |      | 0<br>1 | Disabled<br>Enabled |                     |      |
|               |                                  | ED/HD CGMS Type B<br>header bits | H5         | H4   | H3   | H2   | H1   | H0   |      |        |                     | H5 to H0            |      |
| 0x5F          | ED/HD CGMS Type B<br>Register 1  | ED/HD CGMS Type B<br>data bits   | P7         | P6   | P5   | P4   | P3   | P2   | P1   | P0     |                     | P7 to P0            | 0x00 |
| 0x60          | ED/HD CGMS Type B<br>Register 2  | ED/HD CGMS Type B<br>data bits   | P15        | P14  | P13  | P12  | P11  | P10  | P9   | P8     |                     | P15 to P8           | 0x00 |
| 0x61          | ED/HD CGMS Type B<br>Register 3  | ED/HD CGMS Type B<br>data bits   | P23        | P22  | P21  | P20  | P19  | P18  | P17  | P16    |                     | P23 to P16          | 0x00 |
| 0x62          | ED/HD CGMS Type B<br>Register 4  | ED/HD CGMS Type B<br>data bits   | P31        | P30  | P29  | P28  | P27  | P26  | P25  | P24    |                     | P31 to P24          | 0x00 |
| 0x63          | ED/HD CGMS Type B<br>Register 5  | ED/HD CGMS Type B<br>data bits   | P39        | P38  | P37  | P36  | P35  | P34  | P33  | P32    |                     | P39 to P32          | 0x00 |
| 0x64          | ED/HD CGMS Type B<br>Register 6  | ED/HD CGMS Type B<br>data bits   | P47        | P46  | P45  | P44  | P43  | P42  | P41  | P40    |                     | P47 to P40          | 0x00 |
| 0x65          | ED/HD CGMS Type B<br>Register 7  | ED/HD CGMS Type B<br>data bits   | P55        | P54  | P53  | P52  | P51  | P50  | P49  | P48    |                     | P55 to P48          | 0x00 |
| 0x66          | ED/HD CGMS Type B<br>Register 8  | ED/HD CGMS Type B<br>data bits   | P63        | P62  | P61  | P60  | P59  | P58  | P57  | P56    |                     | P63 to P56          | 0x00 |
| 0x67          | ED/HD CGMS Type B<br>Register 9  | ED/HD CGMS Type B<br>data bits   | P71        | P70  | P69  | P68  | P67  | P66  | P65  | P64    |                     | P71 to P64          | 0x00 |
| 0x68          | ED/HD CGMS Type B<br>Register 10 | ED/HD CGMS Type B<br>data bits   | P79        | P78  | P77  | P76  | P75  | P74  | P73  | P72    |                     | P79 to P72          | 0x00 |
| 0x69          | ED/HD CGMS Type B<br>Register 11 | ED/HD CGMS Type B<br>data bits   | P87        | P86  | P85  | P84  | P83  | P82  | P81  | P80    |                     | P87 to P80          | 0x00 |
| 0x6A          | ED/HD CGMS Type B<br>Register 12 | ED/HD CGMS Type B<br>data bits   | P95        | P94  | P93  | P92  | P91  | P90  | P89  | P88    |                     | P95 to P88          | 0x00 |
| 0x6B          | ED/HD CGMS Type B<br>Register 13 | ED/HD CGMS Type B<br>data bits   | P103       | P102 | P101 | P100 | P99  | P98  | P97  | P96    |                     | P103 to P96         | 0x00 |
| 0x6C          | ED/HD CGMS Type B<br>Register 14 | ED/HD CGMS Type B<br>data bits   | P111       | P110 | P109 | P108 | P107 | P106 | P105 | P104   |                     | P111 to P104        | 0x00 |
| 0x6D          | ED/HD CGMS Type B<br>Register 15 | ED/HD CGMS Type B<br>data bits   | P119       | P118 | P117 | P116 | P115 | P114 | P113 | P112   |                     | P119 to P112        | 0x00 |
| 0x6E          | ED/HD CGMS Type B<br>Register 16 | ED/HD CGMS Type B<br>data bits   | P127       | P126 | P125 | P124 | P123 | P122 | P121 | P120   |                     | P127 to P120        | 0x00 |

Table 28. Register 0x80 to Register 0x83

| SR7 to<br>SR0 | Register           | Bit Description                    | Bit Number |       |       |       |       |       |       |       | Register Setting | Reset Value |   |  |   |
|---------------|--------------------|------------------------------------|------------|-------|-------|-------|-------|-------|-------|-------|------------------|-------------|---|--|---|
|               |                    |                                    | 7          | 6     | 5     | 4     | 3     | 2     | 1     | 0     |                  |             |   |  |   |
| 0x80          | SD Mode Register 1 | SD standard                        |            |       |       |       |       |       |       | 0 0   | 0 1              | 1 0         | 1 1   | NTSC<br>PAL B/D/G/H/I<br>PAL M<br>PAL N  | 0x10  |
|               |                    | SD luma filter                     |            |       |       | 0 0 0 | 0 0 1 | 0 1 0 | 0 1 1 | 1 0 0 | 1 0 1            | 1 1 0       | 1 1 1   | LPF NTSC<br>LPF PAL<br>Notch NTSC<br>Notch PAL<br>SSAF luma<br>Luma CIF<br>Luma QCIF<br>Reserved |   |
|               |                    | SD chroma filter                   | 0 0 0      | 0 0 1 | 0 1 0 | 0 1 1 | 1 0 0 | 1 0 1 | 1 1 0 | 1 1 1 |                  |             |   | 1.3 MHz<br>0.65 MHz<br>1.0 MHz<br>2.0 MHz<br>Reserved<br>Chroma CIF<br>Chroma QCIF<br>3.0 MHz    |   |
| 0x82          | SD Mode Register 2 | SD PrPb SSAF                       |            |       |       |       |       |       |       | 0     | 1                |             |   | Disabled<br>Enabled  | 0x0B  |
|               |                    | SD DAC Output 1                    |            |       |       |       |       |       | 0     | 1     |                  |             | Refer to Table 37 in the Output Configuration section |  |   |
|               |                    | SD DAC Output 2                    |            |       |       |       |       |       | 0     | 1     |                  |             | Refer to Table 37 in the Output Configuration section |  |   |
|               |                    | SD pedestal                        |            |       |       |       |       | 0     | 1     |       |                  |             |   | Disabled<br>Enabled  |   |
|               |                    | SD square pixel mode               |            |       |       | 0     | 1     |       |       |       |                  |             |   | Disabled<br>Enabled  |   |
|               |                    | SD VCR FF/RW sync                  |            |       | 0     | 1     |       |       |       |       |                  |             |   | Disabled<br>Enabled  |   |
|               |                    | SD pixel data valid                |            | 0     | 1     |       |       |       |       |       |                  |             |   | Disabled<br>Enabled  |   |
|               |                    | SD active video edge control       | 0          | 1     |       |       |       |       |       |       |                  |             |   | Disabled<br>Enabled  |   |
| 0x83          | SD Mode Register 3 | SD pedestal on YPrPb output        |            |       |       |       |       |       | 0     | 1     |                  |             | No pedestal on YPrPb<br>7.5 IRE pedestal on YPrPb     | 0x04   |   |
|               |                    | SD Output Levels Y                 |            |       |       |       |       | 0     | 1     |       |                  |             | Y = 700 mV/300 mV<br>Y = 714 mV/286 mV                |  |   |
|               |                    | SD Output Levels PrPb              |            |       |       | 0 0   | 0 1   | 1 0   | 1 1   |       |                  |             |   |  | 700 mV p-p (PAL), 1000 mV p-p (NTSC)<br>700 mV p-p<br>1000 mV p-p<br>648 mV p-p   |
|               |                    | SD VBI open                        |            |       |       | 0     | 1     |       |       |       |                  |             |   |  | Disabled<br>Enabled   |
|               |                    | SD closed captioning field control |            | 0 0   | 0 1   | 1 0   | 1 1   |       |       |       |                  |             |   |  | Closed captioning disabled<br>Closed captioning on odd field only<br>Closed captioning on even field only<br>Closed captioning on both fields |
|               |                    | Reserved                           | 0          |       |       |       |       |       |       |       |                  |             |   |  | Reserved  |



Table 29. Register 0x84 to Register 0x89

| SR7 to SR0          | Register           | Bit Description  | Bit Number |   |   |   |   |   |   |                                  | Register Setting  | Reset Value |  |
|---------------------|--------------------|--|------------|---|---|---|---|---|---|----------------------------------|---|-------------|--|
|                     |                    |  | 7          | 6 | 5 | 4 | 3 | 2 | 1 | 0                                |   |             |  |
| 0x84                | SD Mode Register 4 | Reserved   |            |   |   |   |   |   |   |                                  | 0   | 0x00        |  |
|                     |                    | SD SFL/SCR/TR mode select  |            |   |   |   |   | 0 | 0 | 1                                | 1   |             | Disabled.<br>SFL mode enabled.                                 |
|                     |                    | SD active video length   |            |   |   |   | 0 | 1 |   |                                  |   |             | 720 pixels.<br>710 (NTSC), 702 (PAL).                          |
|                     |                    | SD chroma  |            |   |   | 0 | 1 |   |   |                                  |   |             | Chroma enabled.<br>Chroma disabled.                            |
|                     |                    | SD burs  |            |   | 0 | 1 |   |   |   |                                  |   |             | Enabled.<br>Disabled.  |
|                     |                    | SD color bars  |            | 0 | 1 |   |   |   |   |                                  |   |             | Disabled.<br>Enabled.  |
|                     |                    | SD luma/chroma swap  | 0          | 1 |   |   |   |   |   |                                  |   |             | DAC 2 = luma, DAC 3 = chroma.<br>DAC 2 = chroma, DAC 3 = luma. |
| 0x86                | SD Mode Register 5 | NTSC color subcarrier adjust (delay from the falling edge of output HSYNC pulse to start of color burst) |            |   |   |   |   | 0 | 0 | 1                                | 0   | 0x02        |  |
|                     |                    |  |            |   |   |   | 1 | 0 |   |                                  | 5.17 $\mu$ s.<br>5.31 $\mu$ s.<br>5.59 $\mu$ s (must be set for Macrovision compliance).<br>Reserved. |             |  |
|                     |                    | Reserved   |            |   |   |   |   | 0 |   |                                  |   |             |  |
|                     |                    | SD EIA/CEA-861B synchronization compliance   |            |   |   |   | 0 | 1 |   |                                  |   |             | Disabled.<br>Enabled.  |
|                     |                    | Reserved   |            |   | 0 | 0 |   |   |   |                                  |   |             |  |
|                     |                    | SD horizontal/vertical counter mode <sup>1</sup>   |            | 0 | 1 |   |   |   |   |                                  |   |             | Update field/line counter.<br>Field/line counter free running. |
| 0x87                | SD Mode Register 6 | SD luma and color scale control  |            |   |   |   |   |   |   | 0                                | 1   | 0x00        |  |
|                     |                    |  |            |   |   |   |   |   | 0 | 1                                | Disabled.<br>Enabled.   |             |  |
|                     |                    | SD luma scale saturation   |            |   |   |   |   |   |   | 0                                | 1   |             | Disabled.<br>Enabled.  |
|                     |                    | SD hue adjust  |            |   |   |   |   | 0 | 1 |                                  |   |             | Disabled.<br>Enabled.  |
|                     |                    | SD brightness  |            |   |   |   | 0 | 1 |   |                                  |   |             | Disabled.<br>Enabled.  |
|                     |                    | SD luma SSAF gain  |            |   |   | 0 | 1 |   |   |                                  |   |             | Disabled.<br>Enabled.  |
|                     |                    | SD input standard autodetect   |            |   | 0 | 1 |   |   |   |                                  |   |             | Disabled.<br>Enabled.  |
|                     |                    | Reserved.  |            | 0 |   |   |   |   |   |                                  |   |             | 0 must be written to this bit.                                 |
| SD RGB input enable | 0                  | 1  |            |   |   |   |   |   |   | SD YCrCb input.<br>SD RGB input. |   |             |  |

| SR7 to SR0 | Register           | Bit Description                   | Bit Number |        |                  |                  |                  |                  |                  | Register Setting  | Reset Value   |                                  |
|------------|--------------------|-----------------------------------|------------|--------|------------------|------------------|------------------|------------------|------------------|---|---|----------------------------------|
|            |                    |                                   | 7          | 6      | 5                | 4                | 3                | 2                | 1                |   |   | 0                                |
| 0x88       | SD Mode Register 7 | Reserved                          |            |        |                  |                  |                  |                  |                  | 0   |   | 0x00                             |
|            |                    | SD noninterlaced mode             |            |        |                  |                  |                  |                  | 0<br>1           |   | Disabled.<br>Enabled.   |                                  |
|            |                    | SD double buffering               |            |        |                  |                  |                  | 0<br>1           |                  |   | Disabled.<br>Enabled.   |                                  |
|            |                    | SD input format                   |            |        |                  | 0<br>0<br>1<br>1 | 0<br>1<br>0<br>1 |                  |                  |   | 8-bit YCbCr input.<br>16-bit YCbCr input.<br>16-bit RGB input.<br>Reserved. |                                  |
|            |                    | SD digital noise reduction        |            |        | 0<br>1           |                  |                  |                  |                  |   | Disabled.<br>Enabled.   |                                  |
|            |                    | SD gamma correction enable        |            | 0<br>1 |                  |                  |                  |                  |                  |   | Disabled.<br>Enabled.   |                                  |
|            |                    | SD gamma correction curve select  | 0<br>1     |        |                  |                  |                  |                  |                  |   | Gamma correction Curve A.<br>Gamma correction Curve B.                      |                                  |
| 0x89       | SD Mode Register 8 | SD undershoot limiter             |            |        |                  |                  |                  | 0<br>0<br>1<br>1 | 0<br>1<br>0<br>1 | Disabled.<br>-11 IRE.<br>-6 IRE.<br>-1.5 IRE.                       | 0x00  |                                  |
|            |                    | Reserved                          |            |        |                  |                  | 0                |                  |                  | 0 must be written to this bit.                                      |   |                                  |
|            |                    | SD black burst output on DAC luma |            |        |                  | 0<br>1           |                  |                  |                  | Disabled.<br>Enabled.   |   |                                  |
|            |                    | SD chroma delay                   |            |        | 0<br>0<br>1<br>1 | 0<br>1<br>0<br>1 |                  |                  |                  | Disabled.<br>Four clock cycles.<br>Eight clock cycles.<br>Reserved. |   |                                  |
|            |                    | Reserved                          | 0<br>0     |        |                  |                  |                  |                  |                  |   |   | 0 must be written to these bits. |

<sup>1</sup> When set to 0, the horizontal/vertical counters automatically wrap around at the end of the line/field/frame of the selected standard. When set to 1, the horizontal/vertical counters are free running and wrap around when external sync signals indicate to do so.

Table 30. Register 0x8A to Register 0x98

| SR7 to SR0 | Register             | Bit Description       | Bit Number <sup>1</sup> |        |                  |                  |   |        |        | Register Setting  | Reset Value                 |      |
|------------|----------------------|-----------------------|-------------------------|--------|------------------|------------------|---|--------|--------|---|-----------------------------|------|
|            |                      |                       | 7                       | 6      | 5                | 4                | 3 | 2      | 1      |   |                             | 0    |
| 0x8A       | SD Timing Register 0 | SD slave/master mode  |                         |        |                  |                  |   |        |        | 0<br>1  | Slave mode.<br>Master mode. | 0x08 |
|            |                      | SD timing mode        |                         |        |                  |                  |   | 0<br>1 | 0<br>1 | Mode 0.<br>Mode 3.  |                             |      |
|            |                      | Reserved              |                         |        |                  |                  |   | 1      |        |   |                             |      |
|            |                      | SD luma delay         |                         |        | 0<br>0<br>1<br>1 | 0<br>1<br>0<br>1 |   |        |        | No delay.<br>Two clock cycles.<br>Four clock cycles.<br>Six clock cycles.   |                             |      |
|            |                      | SD minimum luma value |                         | 0<br>1 |                  |                  |   |        |        | -40 IRE.<br>-7.5 IRE.   |                             |      |
|            |                      | SD timing reset       | 0<br>1                  |        |                  |                  |   |        |        | Normal operation.<br>Freezes the counters;<br>this bit must be set<br>back to zero in order to<br>reset the counters and<br>resume operation. |                             |      |

| SR7 to<br>SR0 | Register  | Bit Description                                      | Bit Number <sup>1</sup> |    |                |    |    |    |    | Register Setting | Reset<br>Value   |      |   |
|---------------|---|--|-------------------------|----|----------------|----|----|----|----|------------------|--|------|---|
|               |   |  | 7                       | 6  | 5              | 4  | 3  | 2  | 1  |                  |  | 0    |   |
| 0x8B          | SD Timing Register 1<br>(applicable in master<br>modes only, that is,<br>Subaddress 0x8A, Bit<br>0 = 1) | SD HSYNC width                                       |                         |    |                |    |    |    | 0  | 0                | $t_a$ = one clock cycle.<br>$t_a$ = four clock cycles.<br>$t_a$ = 16 clock cycles.<br>$t_a$ = 128 clock cycles.    | 0x00 |   |
|               |   | SD HSYNC to VSYNC delay                              |                         |    |                |    | 0  | 0  |    |                  | $t_b$ = 0 clock cycles.<br>$t_b$ = four clock cycles.<br>$t_b$ = eight clock cycles.<br>$t_b$ = 18 clock cycles.   |      |   |
|               |   | SD HSYNC to VSYNC rising<br>edge delay (Mode 1 only) |                         |    | X <sup>2</sup> | 0  |    |    |    |                  |  |      | $t_c$ = $t_b$ .<br>$t_c$ = $t_b$ + 32 $\mu$ s.                                  |
|               |   | SD VSYNC width (Mode 2 only)                         |                         |    | 0              | 0  |    |    |    |                  |  |      | One clock cycle.<br>Four clock cycles.<br>16 clock cycles.<br>128 clock cycles. |
|               |   | SD HSYNC to pixel data adjust                        | 0                       | 0  |                |    |    |    |    |                  |  |      | 0 clock cycles.<br>One clock cycle.<br>Two clock cycles.<br>Three clock cycles. |
| 0x8C          | SD F <sub>SC</sub> Register 0 <sup>3</sup>  | Subcarrier Frequency Bits[7:0]                       | x                       | x  | x              | x  | x  | x  | x  | x                | Subcarrier Frequency<br>Bits[7:0]  | 0x1F |   |
| 0x8D          | SD F <sub>SC</sub> Register 1 <sup>3</sup>  | Subcarrier Frequency Bits[15:8]                      | x                       | x  | x              | x  | x  | x  | x  | x                | Subcarrier Frequency<br>Bits[15:8].  | 0x7C |   |
| 0x8E          | SD F <sub>SC</sub> Register 2 <sup>3</sup>  | Subcarrier Frequency<br>Bits[23:16]                  | x                       | x  | x              | x  | x  | x  | x  | x                | Subcarrier Frequency<br>Bits[23:16].   | 0xF0 |   |
| 0x8F          | SD F <sub>SC</sub> Register 3 <sup>3</sup>  | Subcarrier Frequency<br>Bits[31:24]                  | x                       | x  | x              | x  | x  | x  | x  | x                | Subcarrier Frequency<br>Bits[31:24].   | 0x21 |   |
| 0x90          | SD F <sub>SC</sub> Phase  | Subcarrier Phase Bits[9:2]                           | x                       | x  | x              | x  | x  | x  | x  | x                | Subcarrier Phase Bits[9:2].  | 0x00 |   |
| 0x91          | SD Closed Captioning  | Extended data on even fields                         | x                       | x  | x              | x  | x  | x  | x  | x                | Extended Data Bits[7:0].   | 0x00 |   |
| 0x92          | SD Closed Captioning  | Extended data on even fields                         | x                       | x  | x              | x  | x  | x  | x  | x                | Extended Data<br>Bits[15:8].   | 0x00 |   |
| 0x93          | SD Closed Captioning  | Data on odd fields                                   | x                       | x  | x              | x  | x  | x  | x  | x                | Data Bits[7:0].  | 0x00 |   |
| 0x94          | SD Closed Captioning  | Data on odd fields                                   | x                       | x  | x              | x  | x  | x  | x  | x                | Data Bits[15:8].   | 0x00 |   |
| 0x95          | SD Pedestal Register 0  | Pedestal on odd fields                               | 17                      | 16 | 15             | 14 | 13 | 12 | 11 | 10               | Setting any of these bits<br>to 1 disables the<br>pedestal on the line<br>number indicated by<br>the bit settings. | 0x00 |   |
| 0x96          | SD Pedestal Register 1  | Pedestal on odd fields                               | 25                      | 24 | 23             | 22 | 21 | 20 | 19 | 18               |  | 0x00 |   |
| 0x97          | SD Pedestal Register 2  | Pedestal on even fields                              | 17                      | 16 | 15             | 14 | 13 | 12 | 11 | 10               |  | 0x00 |   |
| 0x98          | SD Pedestal Register 3  | Pedestal on even fields                              | 25                      | 24 | 23             | 22 | 21 | 20 | 19 | 18               |  | 0x00 |   |

<sup>1</sup> x = Logic 0 or Logic 1.

<sup>2</sup> X = don't care.

<sup>3</sup> SD subcarrier frequency registers default to NTSC subcarrier frequency values.

Table 31. Register 0x99 to Register 0xA5

| SR7 to SR0 | Register               | Bit Description   | Bit Number <sup>1</sup> |        |        |        |     |       |              |     | Register Setting                                | Reset Value |                            |
|------------|------------------------|---|-------------------------|--------|--------|--------|-----|-------|--------------|-----|---|-------------|----------------------------|
|            |                        |   | 7                       | 6      | 5      | 4      | 3   | 2     | 1            | 0   |   |             |                            |
| 0x99       | SD CGMS/WSS 0          | SD CGMS data  |                         |        |        |        | x   | x     | x            | x   | CGMS Data Bits[C19:C16]                         | 0x00        |                            |
|            |                        | SD CGMS CRC   |                         |        |        | 0<br>1 |     |       |              |     | Disabled<br>Enabled                             |             |                            |
|            |                        | SD CGMS on odd fields   |                         |        | 0<br>1 |        |     |       |              |     | Disabled<br>Enabled                             |             |                            |
|            |                        | SD CGMS on even fields  |                         | 0<br>1 |        |        |     |       |              |     | Disabled<br>Enabled                             |             |                            |
|            |                        | SD WSS  | 0<br>1                  |        |        |        |     |       |              |     | Disabled<br>Enabled                             |             |                            |
| 0x9A       | SD CGMS/WSS 1          | SD CGMS/WSS data  |                         |        | x      | x      | x   | x     | x            | x   | CGMS Data Bits[C13:C8] or WSS Data Bits[W13:W8] | 0x00        |                            |
|            |                        | SD CGMS data  | x                       | x      |        |        |     |       |              |     | CGMS Data Bits[C15:C14]                         |             |                            |
| 0x9B       | SD CGMS/WSS 2          | SD CGMS/WSS data  | x                       | x      | x      | x      | x   | x     | x            | x   | CGMS Data Bits[C7:C0] or WSS Data Bits[W7:W0]   | 0x00        |                            |
| 0x9C       | SD scale LSB           | LSBs for SD Y scale value   |                         |        |        |        |     |       | x            | x   | SD Y Scale Bits[1:0]                            | 0x00        |                            |
|            |                        | LSBs for SD Cb scale value  |                         |        |        |        | x   | x     |              |     | SD Cb Scale Bits[1:0]                           |             |                            |
|            |                        | LSBs for SD Cr scale value  |                         |        | x      | x      |     |       |              |     |   |             | SD Cr Scale Bits[1:0].     |
|            |                        | LSBs for SD F <sub>sc</sub> phase   | x                       | x      |        |        |     |       |              |     |   |             | Subcarrier Phase Bits[1:0] |
| 0x9D       | SD Y scale register    | SD Y scale value  | x                       | x      | x      | x      | x   | x     | x            | x   | SD Y Scale Bits[9:2]                            | 0x00        |                            |
| 0x9E       | SD Cb scale register   | SD Cb scale value   | x                       | x      | x      | x      | x   | x     | x            | x   | SD Cb Scale Bits[9:2]                           | 0x00        |                            |
| 0x9F       | SD Cr scale register   | SD Cr scale value   | x                       | x      | x      | x      | x   | x     | x            | x   | SD Cr scale Bits[9:2]                           | 0x00        |                            |
| 0xA0       | SD hue adjust register | SD hue adjust value   | x                       | x      | x      | x      | x   | x     | x            | x   | SD Hue Adjust Bits[7:0]                         | 0x00        |                            |
| 0xA1       | SD brightness/WSS      | SD brightness value   |                         | x      | x      | x      | x   | x     | x            | x   | SD Brightness Bits[6:0]                         | 0x00        |                            |
|            |                        | SD blank WSS data   | 0<br>1                  |        |        |        |     |       |              |     | Disabled<br>Enabled                             |             |                            |
| 0xA2       | SD luma SSAF           | SD luma SSAF gain/attenuation (only applicable if Register 0x87, Bit 4 = 1) |                         |        |        |        | 0   | 0     | 0            | 0   | -4 dB   | 0x00        |                            |
|            |                        |   |                         |        |        |        | ... | ...   | ...          | ... | ...   |             |                            |
|            |                        |   |                         |        |        |        | 0   | 1     | 1            | 0   | 0 dB  |             |                            |
|            |                        |   |                         |        |        |        | ... | ...   | ...          | ... | ...   |             |                            |
|            |                        |   |                         | 1      | 1      | 0      | 0   | +4 dB |              |     |   |             |                            |
| 0xA3       | SD DNR 0               | Coring gain border (in DNR mode, the values in brackets apply)              |                         |        |        |        | 0   | 0     | 0            | 0   | No gain   | 0x00        |                            |
|            |                        |   |                         |        |        |        | 0   | 0     | 0            | 1   | +1/16 [-1/8]                                    |             |                            |
|            |                        |   |                         |        |        |        | 0   | 0     | 1            | 0   | +2/16 [-2/8]                                    |             |                            |
|            |                        |   |                         |        |        |        | 0   | 0     | 1            | 1   | +3/16 [-3/8]                                    |             |                            |
|            |                        |   |                         |        |        |        | 0   | 1     | 0            | 0   | +4/16 [-4/8]                                    |             |                            |
|            |                        |   |                         |        |        |        | 0   | 1     | 0            | 1   | +5/16 [-5/8]                                    |             |                            |
|            |                        |   |                         |        |        |        | 0   | 1     | 1            | 0   | +6/16 [-6/8]                                    |             |                            |
|            |                        |   |                         |        |        |        | 0   | 1     | 1            | 1   | +7/16 [-7/8]                                    |             |                            |
|            |                        |   |                         |        |        |        | 1   | 0     | 0            | 0   | +8/16 [-1]                                      |             |                            |
|            |                        |   |                         |        |        | 0      | 0   | 0     | 0            |     |   |             | No gain                    |
|            |                        |   |                         |        |        | 0      | 0   | 0     | 1            |     |   |             | +1/16 [-1/8]               |
|            |                        |   |                         |        |        | 0      | 0   | 1     | 0            |     |   |             | +2/16 [-2/8]               |
|            |                        |   | 0                       | 0      | 1      | 1      |     |       | +3/16 [-3/8] |     |   |             |                            |
|            |                        |   | 0                       | 1      | 0      | 0      |     |       | +4/16 [-4/8] |     |   |             |                            |
|            |                        |   | 0                       | 1      | 0      | 1      |     |       | +5/16 [-5/8] |     |   |             |                            |
|            |                        |   | 0                       | 1      | 1      | 0      |     |       | +6/16 [-6/8] |     |   |             |                            |
|            |                        |   | 0                       | 1      | 1      | 1      |     |       | +7/16 [-7/8] |     |   |             |                            |
|            |                        |   | 1                       | 0      | 0      | 0      |     |       | +8/16 [-1]   |     |   |             |                            |

| SR7 to SRO | Register | Bit Description    | Bit Number <sup>1</sup> |     |     |     |     |     |     |     | Register Setting | Reset Value      |      |                           |     |      |
|------------|----------|--------------------|-------------------------|-----|-----|-----|-----|-----|-----|-----|------------------|------------------|------|---------------------------|-----|------|
|            |          |                    | 7                       | 6   | 5   | 4   | 3   | 2   | 1   | 0   |                  |                  |      |                           |     |      |
| 0xA4       | SD DNR 1 | DNR threshold      |                         |     | 0   | 0   | 0   | 0   | 0   | 0   | 0                | 0                | 0    | 0                         | 0   | 0x00 |
|            |          |                    |                         |     | 0   | 0   | 0   | 0   | 0   | 0   | 0                | 1                | 1    | 1                         |     |      |
|            |          |                    |                         |     | ... | ... | ... | ... | ... | ... | ...              | ...              | ...  | ...                       | ... |      |
|            |          | Border area        |                         | 0   |     |     |     |     |     |     |                  |                  |      | Two pixels<br>Four pixels |     |      |
|            |          | Block size control | 0                       |     |     |     |     |     |     |     |                  |                  |      | Eight pixels<br>16 pixels |     |      |
| 0xA5       | SD DNR 2 | DNR input select   |                         |     |     |     |     |     | 0   | 0   | 1                | Filter A         | 0x00 |                           |     |      |
|            |          |                    |                         |     |     |     |     | 0   | 1   | 0   | Filter B         |                  |      |                           |     |      |
|            |          |                    |                         |     |     |     |     | 0   | 1   | 1   | Filter C         |                  |      |                           |     |      |
|            |          | DNR mode           |                         |     |     |     | 0   |     |     |     | DNR mode         |                  |      |                           |     |      |
|            |          | DNR block offset   | 0                       | 0   | 0   | 0   |     |     |     |     |                  | 0 pixel offset   |      |                           |     |      |
|            |          |                    | 0                       | 0   | 0   | 1   |     |     |     |     |                  | One pixel offset |      |                           |     |      |
|            |          |                    | ...                     | ... | ... | ... |     |     |     |     |                  | ...              |      |                           |     |      |
|            |          |                    | 1                       | 1   | 1   | 0   |     |     |     |     |                  | 14 pixel offset  |      |                           |     |      |
|            |          |                    | 1                       | 1   | 1   | 1   |     |     |     |     |                  | 15 pixel offset  |      |                           |     |      |

<sup>1</sup>x = Logic 0 or Logic 1.

Table 32. Register 0xA6 to Register 0xBB

| SR7 to SRO | Register             | Bit Description              | Bit Number <sup>1</sup> |   |   |   |   |   |   |   | Register Setting | Reset Value |
|------------|----------------------|------------------------------|-------------------------|---|---|---|---|---|---|---|------------------|-------------|
|            |                      |                              | 7                       | 6 | 5 | 4 | 3 | 2 | 1 | 0 |                  |             |
| 0xA6       | SD Gamma A 0         | SD Gamma Curve A (Point 24)  | x                       | x | x | x | x | x | x | x | A0               | 0x00        |
| 0xA7       | SD Gamma A 1         | SD Gamma Curve A (Point 32)  | x                       | x | x | x | x | x | x | x | A1               | 0x00        |
| 0xA8       | SD Gamma A 2         | SD Gamma Curve A (Point 48)  | x                       | x | x | x | x | x | x | x | A2               | 0x00        |
| 0xA9       | SD Gamma A 3         | SD Gamma Curve A (Point 64)  | x                       | x | x | x | x | x | x | x | A3               | 0x00        |
| 0xAA       | SD Gamma A 4         | SD Gamma Curve A (Point 80)  | x                       | x | x | x | x | x | x | x | A4               | 0x00        |
| 0xAB       | SD Gamma A 5         | SD Gamma Curve A (Point 96)  | x                       | x | x | x | x | x | x | x | A5               | 0x00        |
| 0xAC       | SD Gamma A 6         | SD Gamma Curve A (Point 128) | x                       | x | x | x | x | x | x | x | A6               | 0x00        |
| 0xAD       | SD Gamma A 7         | SD Gamma Curve A (Point 160) | x                       | x | x | x | x | x | x | x | A7               | 0x00        |
| 0xAE       | SD Gamma A 8         | SD Gamma Curve A (Point 192) | x                       | x | x | x | x | x | x | x | A8               | 0x00        |
| 0xAF       | SD Gamma A 9         | SD Gamma Curve A (Point 224) | x                       | x | x | x | x | x | x | x | A9               | 0x00        |
| 0xB0       | SD Gamma B 0         | SD Gamma Curve B (Point 24)  | x                       | x | x | x | x | x | x | x | B0               | 0x00        |
| 0xB1       | SD Gamma B 1         | SD Gamma Curve B (Point 32)  | x                       | x | x | x | x | x | x | x | B1               | 0x00        |
| 0xB2       | SD Gamma B 2         | SD Gamma Curve B (Point 48)  | x                       | x | x | x | x | x | x | x | B2               | 0x00        |
| 0xB3       | SD Gamma B 3         | SD Gamma Curve B (Point 64)  | x                       | x | x | x | x | x | x | x | B3               | 0x00        |
| 0xB4       | SD Gamma B 4         | SD Gamma Curve B (Point 80)  | x                       | x | x | x | x | x | x | x | B4               | 0x00        |
| 0xB5       | SD Gamma B 5         | SD Gamma Curve B (Point 96)  | x                       | x | x | x | x | x | x | x | B5               | 0x00        |
| 0xB6       | SD Gamma B 6         | SD Gamma Curve B (Point 128) | x                       | x | x | x | x | x | x | x | B6               | 0x00        |
| 0xB7       | SD Gamma B 7         | SD Gamma Curve B (Point 160) | x                       | x | x | x | x | x | x | x | B7               | 0x00        |
| 0xB8       | SD Gamma B 8         | SD Gamma Curve B (Point 192) | x                       | x | x | x | x | x | x | x | B8               | 0x00        |
| 0xB9       | SD Gamma B 9         | SD Gamma Curve B (Point 224) | x                       | x | x | x | x | x | x | x | B9               | 0x00        |
| 0xBA       | SD brightness detect | SD brightness value          | x                       | x | x | x | x | x | x | x | Read only        | 0xFF        |

| SR7 to SR0 | Register    | Bit Description                                 | Bit Number <sup>1</sup> |   |   |   |   |   |   |   | Register Setting | Reset Value |   |      |
|------------|-------------|---|-------------------------|---|---|---|---|---|---|---|------------------|-------------|---|------|
|            |             |   | 7                       | 6 | 5 | 4 | 3 | 2 | 1 | 0 |                  |             |   |      |
| 0xBB       | Field count | Field count<br>Reserved<br>Encoder version code |                         |   | 0 | 0 | 0 |   |   | x | x                | x           | Read only<br>Reserved<br>Read only; first encoder version <sup>2</sup><br>Read only; second encoder version | 0x0X |
|            |             |   | 0                       | 0 |   |   |   |   |   |   |                  |             |   |      |
|            |             |   | 0                       | 1 |   |   |   |   |   |   |                  |             |   |      |

<sup>1</sup> x = Logic 0 or Logic 1.

<sup>2</sup> See the HD Interlace External P\_HSYNC and P\_VSYNC Considerations section for information about the first encoder revision.

**Table 33. Register 0xBD to Register 0xC8**

| SR7 to SR0 | Register         | Bit Description           | Bit Number <sup>1</sup> |   |   |   |   |   |   |   | Register Setting  | Reset Value |
|------------|------------------|---------------------------|-------------------------|---|---|---|---|---|---|---|-------------------|-------------|
|            |                  |                           | 7                       | 6 | 5 | 4 | 3 | 2 | 1 | 0 |                   |             |
| 0xBD       | SD CSC Matrix 1  | SD CSC matrix coefficient | x                       | x | x | x | x | x | x | x | Bits [7:0] for a1 | 0x42        |
| 0xBE       | SD CSC Matrix 2  | SD CSC matrix coefficient | x                       | x | x | x | x | x | x | x | Bits [7:0] for a2 | 0x81        |
| 0xBF       | SD CSC Matrix 3  | SD CSC matrix coefficient | x                       | x | x | x | x | x | x | x | Bits [7:0] for a3 | 0x19        |
| 0xC0       | SD CSC Matrix 4  | SD CSC matrix coefficient | x                       | x | x | x | x | x | x | x | Bits [7:0] for a4 | 0x10        |
| 0xC1       | SD CSC Matrix 5  | SD CSC matrix coefficient | x                       | x | x | x | x | x | x | x | Bits [7:0] for b1 | 0x70        |
| 0xC2       | SD CSC Matrix 6  | SD CSC matrix coefficient | x                       | x | x | x | x | x | x | x | Bits [7:0] for b2 | 0x5E        |
| 0xC3       | SD CSC Matrix 7  | SD CSC matrix coefficient | x                       | x | x | x | x | x | x | x | Bits [7:0] for b3 | 0x12        |
| 0xC4       | SD CSC Matrix 8  | SD CSC matrix coefficient | x                       | x | x | x | x | x | x | x | Bits [7:0] for b4 | 0x80        |
| 0xC5       | SD CSC Matrix 9  | SD CSC matrix coefficient | x                       | x | x | x | x | x | x | x | Bits [7:0] for c1 | 0x26        |
| 0xC6       | SD CSC Matrix 10 | SD CSC matrix coefficient | x                       | x | x | x | x | x | x | x | Bits [7:0] for c2 | 0x4A        |
| 0xC7       | SD CSC Matrix 11 | SD CSC matrix coefficient | x                       | x | x | x | x | x | x | x | Bits [7:0] for c3 | 0x70        |
| 0xC8       | SD CSC Matrix 12 | SD CSC matrix coefficient | x                       | x | x | x | x | x | x | x | Bits [7:0] for c4 | 0x80        |

<sup>1</sup> x = Logic 0 or Logic 1.

**Table 34. Register 0xC9 to Register 0xCE**

| SR7 to SR0 | Register                 | Bit Description                                | Bit Number              |                         |                         |                         |                         |                         |                         |                         | Register Setting  | Reset Value  |      |
|------------|--------------------------|--|-------------------------|-------------------------|-------------------------|-------------------------|-------------------------|-------------------------|-------------------------|-------------------------|---|--|------|
|            |                          |  | 7                       | 6                       | 5                       | 4                       | 3                       | 2                       | 1                       | 0                       |   |  |      |
| 0xC9       | Teletext control         | Teletext enable                                |                         |                         |                         |                         |                         |                         |                         |                         | 0<br>1  | Disabled.<br>Enabled.  | 0x00 |
|            |                          | Teletext request mode                          |                         |                         |                         |                         |                         |                         |                         |                         | 0<br>1  | Line request signal.<br>Bit request signal.  |      |
|            |                          | Teletext input pin select                      |                         |                         |                         |                         | 0<br>0<br>1<br>1        | 0<br>1<br>0<br>1        |                         |                         |   | S_VSYNC<br>P_VSYNC<br>C0<br>Reserved   |      |
|            |                          | Reserved                                       | 0                       | 0                       | 0                       | 0                       |                         |                         |                         |                         |   | Reserved   |      |
| 0xCA       | Teletext request control | Teletext request falling edge position control |                         |                         |                         |                         | 0<br>0<br>...<br>1<br>1 | 0<br>0<br>...<br>1<br>1 | 0<br>0<br>...<br>1<br>1 | 0<br>1<br>...<br>0<br>1 | 0<br>1<br>...<br>0<br>1   | 0 clock cycles.<br>One clock cycle.<br>...<br>14 clock cycles.<br>15 clock cycles. | 0x00 |
|            |                          | Teletext request rising edge position control  | 0<br>0<br>...<br>1<br>1 | 0<br>0<br>...<br>1<br>1 | 0<br>0<br>...<br>1<br>1 | 0<br>1<br>...<br>0<br>1 |                         |                         |                         |                         | 0 clock cycles.<br>One clock cycle.<br>...<br>14 clock cycles.<br>15 clock cycles.                |  |      |
|            |                          | Teletext on odd fields                         | 22                      | 21                      | 20                      | 19                      | 18                      | 17                      | 16                      | 15                      | Setting any of these bits to 1 enables teletext on the line number indicated by the bit settings. | 0x00   |      |
|            |                          | Teletext on even fields                        | 22                      | 21                      | 20                      | 19                      | 18                      | 17                      | 16                      | 15                      |   | 0x00   |      |
| 0xCB       | TTX Line Enable 0        | Teletext on odd fields                         | 14                      | 13                      | 12                      | 11                      | 10                      | 9                       | 8                       | 7                       | 0x00  |  |      |
| 0xCC       | TTX Line Enable 1        | Teletext on odd fields                         | 14                      | 13                      | 12                      | 11                      | 10                      | 9                       | 8                       | 7                       | 0x00  |  |      |
| 0xCD       | TTX Line Enable 2        | Teletext on even fields                        | 14                      | 13                      | 12                      | 11                      | 10                      | 9                       | 8                       | 7                       | 0x00  |  |      |
| 0xCE       | TTX Line Enable 3        | Teletext on even fields                        | 14                      | 13                      | 12                      | 11                      | 10                      | 9                       | 8                       | 7                       | 0x00  |  |      |

Table 35. Register 0xE0 to Register 0xF1

| SR7 to<br>SR0 | Register <sup>2</sup> | Bit Description | Bit Number <sup>1</sup> |   |   |   |   |   |   |   | Register Setting    | Reset<br>Value |
|---------------|-----------------------|-----------------|-------------------------|---|---|---|---|---|---|---|---------------------|----------------|
|               |                       |                 | 7                       | 6 | 5 | 4 | 3 | 2 | 1 | 0 |                     |                |
| 0xE0          | Macrovision           | MV control bits | x                       | x | x | x | x | x | x | x |                     | 0x00           |
| 0xE1          | Macrovision           | MV control bits | x                       | x | x | x | x | x | x | x |                     | 0x00           |
| 0xE2          | Macrovision           | MV control bits | x                       | x | x | x | x | x | x | x |                     | 0x00           |
| 0xE3          | Macrovision           | MV control bits | x                       | x | x | x | x | x | x | x |                     | 0x00           |
| 0xE4          | Macrovision           | MV control bits | x                       | x | x | x | x | x | x | x |                     | 0x00           |
| 0xE5          | Macrovision           | MV control bits | x                       | x | x | x | x | x | x | x |                     | 0x00           |
| 0xE6          | Macrovision           | MV control bits | x                       | x | x | x | x | x | x | x |                     | 0x00           |
| 0xE7          | Macrovision           | MV control bits | x                       | x | x | x | x | x | x | x |                     | 0x00           |
| 0xE8          | Macrovision           | MV control bits | x                       | x | x | x | x | x | x | x |                     | 0x00           |
| 0xE9          | Macrovision           | MV control bits | x                       | x | x | x | x | x | x | x |                     | 0x00           |
| 0xEA          | Macrovision           | MV control bits | x                       | x | x | x | x | x | x | x |                     | 0x00           |
| 0xEB          | Macrovision           | MV control bits | x                       | x | x | x | x | x | x | x |                     | 0x00           |
| 0xEC          | Macrovision           | MV control bits | x                       | x | x | x | x | x | x | x |                     | 0x00           |
| 0xED          | Macrovision           | MV control bits | x                       | x | x | x | x | x | x | x |                     | 0x00           |
| 0xEE          | Macrovision           | MV control bits | x                       | x | x | x | x | x | x | x |                     | 0x00           |
| 0xEF          | Macrovision           | MV control bits | x                       | x | x | x | x | x | x | x |                     | 0x00           |
| 0xF0          | Macrovision           | MV control bits | x                       | x | x | x | x | x | x | x |                     | 0x00           |
| 0xF1          | Macrovision           | MV control bits | 0                       | 0 | 0 | 0 | 0 | 0 | 0 | x | Bits[7:1] must be 0 | 0x00           |

<sup>1</sup> x = Logic 0 or Logic 1.

<sup>2</sup> Macrovision registers are available on the ADV7342 only.

## INPUT CONFIGURATION

The ADV7342/ADV7343 support a number of different input modes. The desired input mode is selected using Subaddress 0x01, Bits[6:4]. The ADV7342/ADV7343 default to standard definition only (SD only) on power-up. Table 36 provides an overview of all possible input configurations. Each input mode is described in detail in the following sections.

### STANDARD DEFINITION ONLY

#### Subaddress 0x01, Bits[6:4] = 000

Standard definition (SD) YCrCb data can be input in 4:2:2 format. Standard definition (SD) RGB data can be input in 4:4:4 format. A 27 MHz clock signal must be provided on the CLKIN\_A pin. Input synchronization signals are provided on the S\_HSYNC and S\_VSYNC pins.

#### 8-Bit 4:2:2 YCrCb Mode

##### Subaddress 0x87, Bit 7 = 0; Subaddress 0x88, Bit 3 = 0

In 8-bit 4:2:2 YCrCb input mode, the interleaved pixel data is input on Pin S7 to Pin S0 (or Pin Y7 to Pin Y0, depending on Subaddress 0x01, Bit 7), with Pin S0/Y0 being the LSB. The ITU-R BT.601/656 input standard is supported. Embedded EAV/SAV timing codes are also supported.

#### 16-Bit 4:2:2 YCrCb Mode

##### Subaddress 0x87, Bit 7 = 0; Subaddress 0x88, Bit 3 = 1

In 16-bit 4:2:2 YCrCb input mode, the Y pixel data is input on Pin S7 to Pin S0 (or Pin Y7 to Pin Y0, depending on Subaddress 0x01, Bit 7), with Pin S0/Y0 being the LSB.

The CrCb pixel data is input on Pin Y7 to Pin Y0 (or Pin C7 to Pin C0, depending on Subaddress 0x01, Bit 7), with Pin Y0/C0 being the LSB. Embedded EAV/SAV timing codes are not supported, so an external synchronization is needed in this mode.

#### 24-Bit 4:4:4 RGB Mode

##### Subaddress 0x87, Bit 7 = 1

In 24-bit 4:4:4 RGB input mode, the red pixel data is input on Pin S7 to Pin S0, the green pixel data is input on Pin Y7 to Pin Y0, and the blue pixel data is input on Pin C7 to Pin C0. The S0, Y0, and C0 pins are the respective bus LSBs.

Embedded EAV/SAV timing codes are not supported with SD RGB mode. In addition, master timing mode is not supported for SD RGB input mode; therefore, external synchronization must be used.

Table 36. Input Configuration

| Input Mode <sup>1</sup>  | S  |   |   |   |   |   |   |   | Y             |   |   |   |   |   |   |   | C            |   |   |   |   |   |   |   |
|--|--|---|---|---|---|---|---|---|---------------|---|---|---|---|---|---|---|--------------|---|---|---|---|---|---|---|
|  | 7  | 6 | 5 | 4 | 3 | 2 | 1 | 0 | 7             | 6 | 5 | 4 | 3 | 2 | 1 | 0 | 7            | 6 | 5 | 4 | 3 | 2 | 1 | 0 |
| 000 SD only<br>8-bit YCrCb <sup>2</sup><br>16-bit YCrCb <sup>2,3</sup><br><br>8-bit YCrCb <sup>2</sup><br>16-bit YCrCb <sup>2,3</sup><br><br>24-bit RGB <sup>3</sup> | <b>Y/C/S bus swap (Subaddress 0x01[7]) = 0</b>         |   |   |   |   |   |   |   |               |   |   |   |   |   |   |   |              |   |   |   |   |   |   |   |
|  | YCrCb  |   |   |   |   |   |   |   |               |   |   |   |   |   |   |   |              |   |   |   |   |   |   |   |
|  | Y  |   |   |   |   |   |   |   | CrCb          |   |   |   |   |   |   |   |              |   |   |   |   |   |   |   |
|  | <b>Y/C/S bus swap (Subaddress 0x01[7]) = 1</b>         |   |   |   |   |   |   |   |               |   |   |   |   |   |   |   |              |   |   |   |   |   |   |   |
|  |  |   |   |   |   |   |   |   | YCrCb         |   |   |   |   |   |   |   |              |   |   |   |   |   |   |   |
|  |  |   |   |   |   |   |   |   | Y             |   |   |   |   |   |   |   | CrCb         |   |   |   |   |   |   |   |
| <b>SD RGB input enable (Subaddress 0x87[7]) = 1</b>  |  |   |   |   |   |   |   |   |               |   |   |   |   |   |   |   |              |   |   |   |   |   |   |   |
| R  |  |   |   |   |   |   |   | G |               |   |   |   |   |   |   | B |              |   |   |   |   |   |   |   |
| 001 ED/HD-SDR only <sup>4,5</sup><br>16-bit YCrCb<br>24-bit YCrCb<br><br>24-bit RGB <sup>3</sup>   | <b>ED/HD RGB input enable (Subaddress 0x35[1]) = 0</b> |   |   |   |   |   |   |   |               |   |   |   |   |   |   |   |              |   |   |   |   |   |   |   |
|  |  |   |   |   |   |   |   |   | Y             |   |   |   |   |   |   |   | CrCb         |   |   |   |   |   |   |   |
|  | Cr   |   |   |   |   |   |   |   | Y             |   |   |   |   |   |   |   | Cb           |   |   |   |   |   |   |   |
|  | <b>ED/HD RGB input enable (Subaddress 0x35[1]) = 1</b> |   |   |   |   |   |   |   |               |   |   |   |   |   |   |   |              |   |   |   |   |   |   |   |
| R  |  |   |   |   |   |   |   | G |               |   |   |   |   |   |   | B |              |   |   |   |   |   |   |   |
| 010 ED/HD-DDR only (8-bit) <sup>5</sup>  |  |   |   |   |   |   |   |   | YCrCb         |   |   |   |   |   |   |   |              |   |   |   |   |   |   |   |
| 011 SD and ED/HD-SDR (24-bit) <sup>5</sup>   | YCrCb (SD)   |   |   |   |   |   |   |   | Y (ED/HD)     |   |   |   |   |   |   |   | CrCb (ED/HD) |   |   |   |   |   |   |   |
| 100 SD and ED/HD-DDR (16-bit) <sup>5</sup>   | YCrCb (SD)   |   |   |   |   |   |   |   | YCrCb (ED/HD) |   |   |   |   |   |   |   |              |   |   |   |   |   |   |   |
| 111 ED only (54 MHz) (8-bit) <sup>5</sup>  |  |   |   |   |   |   |   |   | YCrCb         |   |   |   |   |   |   |   |              |   |   |   |   |   |   |   |

<sup>1</sup> The input mode is determined by Subaddress 0x01, Bits[6:4].

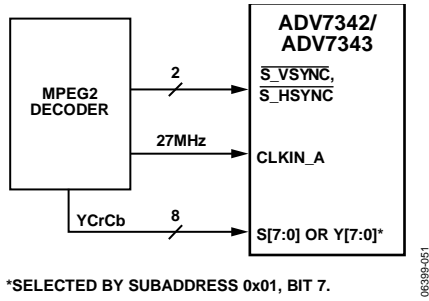
<sup>2</sup> In SD only (YCrCb) mode, the format of the input data is determined by Subaddress 0x88, Bits[4:3]. See Table 29 for more information.

<sup>3</sup> External synchronization signals must be used in this input mode. Embedded EAV/SAV timing codes are not supported.

<sup>4</sup> In ED/HD-SDR only (YCrCb) mode, the format of the input data is determined by Subaddress 0x33, Bit 6. See Table 22 for more information.

<sup>5</sup> ED = enhanced definition = 525p and 625p.





\*SELECTED BY SUBADDRESS 0x01, BIT 7.

Figure 51. SD Only Example Application

**ENHANCED DEFINITION/HIGH DEFINITION ONLY**

**Subaddress 0x01, Bits[6:4] = 001 or 010**

Enhanced definition (ED) or high definition (HD) YCrCb data can be input in either 4:2:2 or 4:4:4 format. If desired, dual data rate (DDR) pixel data inputs can be employed (4:2:2 format only).

Enhanced definition (ED) or high definition (HD) RGB data can be input in 4:4:4 format (single data rate only).

The clock signal must be provided on the CLKIN\_A pin. Input synchronization signals are provided on the P\_HSYNC, P\_VSYNC, and P\_BLANK pins.

**16-Bit 4:2:2 YCrCb Mode (SDR)**

**Subaddress 0x35, Bit 1 = 0; Subaddress 0x33, Bit 6 = 1**

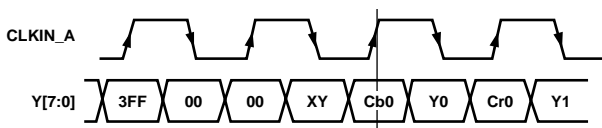
In 16-bit 4:2:2 YCrCb input mode, the Y pixel data is input on Pin Y7 to Pin Y0, with Pin Y0 being the LSB. The CrCb pixel data is input on Pin C7 to Pin C0, with Pin C0 being the LSB.

**8-Bit 4:2:2 YCrCb Mode (DDR)**

**Subaddress 0x35, Bit 1 = 0; Subaddress 0x33, Bit 6 = 1**

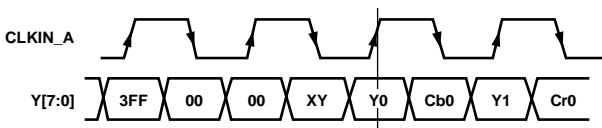
In 8-bit DDR 4:2:2 YCrCb input mode, the Y pixel data is input on Pin Y7 to Pin Y0 on either the rising or falling edge of CLKIN\_A. Pin Y0 is the LSB.

The CrCb pixel data is also input on Pin Y7 to Pin Y0 on the opposite edge of CLKIN\_A. Pin Y0 is the LSB. Whether the Y data is clocked in on the rising or falling edge of CLKIN\_A is determined by Subaddress 0x01, Bits[2:1] (see Figure 52 and Figure 53).



NOTES  
1. SUBADDRESS 0x01 [2:1] SHOULD BE SET TO 00 IN THIS CASE.

Figure 52. ED/HD-DDR Input Sequence (EAV/SAV)—Option A



NOTES  
1. SUBADDRESS 0x01 [2:1] SHOULD BE SET TO 11 IN THIS CASE.

Figure 53. ED/HD-DDR Input Sequence (EAV/SAV)—Option B

**24-Bit 4:4:4 YCrCb Mode**

**Subaddress 0x35, Bit 1 = 0; Subaddress 0x33, Bit 6 = 0**

In 24-bit 4:4:4 YCrCb input mode, the Y pixel data is input on Pin Y7 to Pin Y0, with Pin Y0 being the LSB.

The Cr pixel data is input on Pin S7 to Pin S0, with Pin S0 being the LSB. The Cb pixel data is input on Pin C7 to Pin C0, with Pin C0 being the LSB.

**24-Bit 4:4:4 RGB Mode**

**Subaddress 0x35, Bit 1 = 1**

In 24-bit 4:4:4 RGB input mode, the red pixel data is input on Pin S7 to Pin S0, the green pixel data is input on Pin Y7 to Pin Y0, and the blue pixel data is input on Pin C7 to Pin C0. The S0, Y0, and C0 pins are the respective bus LSBs.

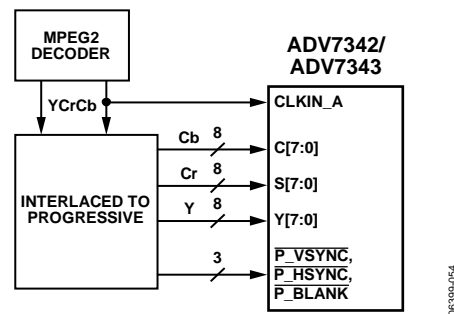


Figure 54. ED/HD Only Example Application

**SIMULTANEOUS STANDARD DEFINITION AND ENHANCED DEFINITION/HIGH DEFINITION**

**Subaddress 0x01, Bits[6:4] = 011 or 100**

The ADV7342/ADV7343 are able to simultaneously process SD 4:2:2 YCrCb data and ED/HD 4:2:2 YCrCb data. The 27 MHz SD clock signal must be provided on the CLKIN\_A pin. The ED/HD clock signal must be provided on the CLKIN\_B pin. SD input synchronization signals are provided on the S\_HSYNC and S\_VSYNC pins. ED/HD input synchronization signals are provided on the P\_HSYNC, P\_VSYNC and P\_BLANK pins.

**SD 8-Bit 4:2:2 YCrCb and ED/HD-SDR 16-Bit 4:2:2 YCrCb**

The SD 8-bit 4:2:2 YCrCb pixel data is input on Pin S7 to Pin S0, with Pin S0 being the LSB.

The ED/HD 16-bit 4:2:2 Y pixel data is input on Pin Y7 to Pin Y0, with Pin Y0 being the LSB.

The ED/HD 16-bit 4:2:2 CrCb pixel data is input on Pin C7 to Pin C0, with Pin C0 being the LSB.

**SD 8-Bit 4:2:2 YCrCb and ED/HD-DDR 8-Bit 4:2:2 YCrCb**

The SD 8-bit 4:2:2 YCrCb pixel data is input on Pin S7 to Pin S0, with Pin S0 being the LSB. The ED/HD-DDR 8-bit 4:2:2 Y pixel data is input on Pin Y7 to Pin Y0 on the rising or falling edge of CLKIN\_B. Pin Y0 is the LSB.

The ED/HD-DDR 8-bit 4:2:2 CrCb pixel data is also input on Pin Y7 to Pin Y0 on the opposite edge of CLKIN\_B. Pin Y0 is the LSB.

Whether the ED/HD Y data is clocked in on the rising or falling edge of CLKIN\_B is determined by Subaddress 0x01, Bits[2:1] (see the input sequence shown in Figure 52 and Figure 53).

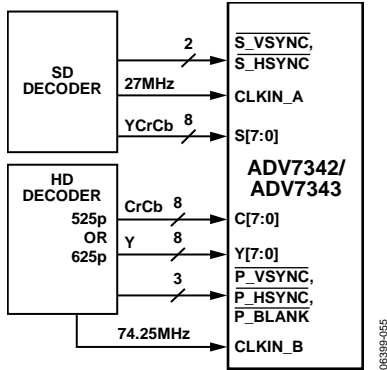


Figure 55. Simultaneous SD and ED Example Application

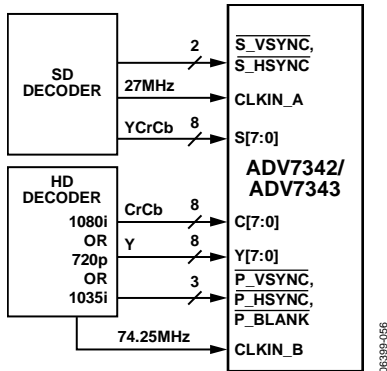


Figure 56. Simultaneous SD and HD Example Application

## ENHANCED DEFINITION ONLY (AT 54 MHz)

### Subaddress 0x01, Bits[6:4] = 111

Enhanced definition (ED) YCrCb data can be input in an interleaved 4:2:2 format on an 8-bit bus at a rate of 54 MHz.

A 54 MHz clock signal must be provided on the CLKIN\_A pin. Input synchronization signals are provided on the P\_VSYNC, P\_HSYNC, and P\_BLANK pins.

The interleaved pixel data is input on Pin Y7 to Pin Y0, with Pin Y0 being the LSB.

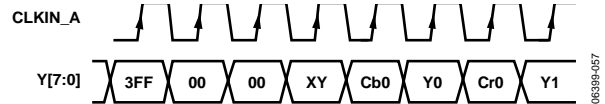


Figure 57. ED Only (at 54 MHz) Input Sequence (EAV/SAV)

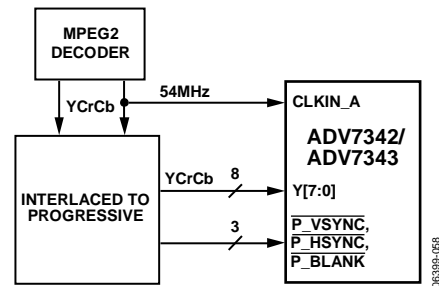


Figure 58. ED Only (at 54 MHz) Example Application

## OUTPUT CONFIGURATION

The ADV7342/ADV7343 support a number of different output configurations. Table 37 to Table 40 list all possible output configurations.

Table 37. SD Only Output Configurations

| RGB/YPrPb Output Select <sup>1</sup> (Subaddress 0x02, Bit 5) | SD DAC Output 2 (Subaddress 0x82, Bit 2) | SD DAC Output 1 (Subaddress 0x82, Bit 1) | SD Luma/Chroma Swap (Subaddress 0x84, Bit 7) | DAC 1 | DAC 2  | DAC 3  | DAC 4 | DAC 5  | DAC 6  |
|---|--|--|--|-------|--------|--------|-------|--------|--------|
| 0   | 0  | 0  | 0  | G     | B      | R      | CVBS  | Luma   | Chroma |
| 0   | 0  | 0  | 1  | G     | B      | R      | CVBS  | Chroma | Luma   |
| 0   | 0  | 1  | 0  | CVBS  | Luma   | Chroma | G     | B      | R      |
| 0   | 0  | 1  | 1  | CVBS  | Chroma | Luma   | G     | B      | R      |
| 0   | 1  | 0  | 0  | CVBS  | B      | R      | G     | Luma   | Chroma |
| 0   | 1  | 0  | 1  | CVBS  | B      | R      | G     | Chroma | Luma   |
| 0   | 1  | 1  | 0  | G     | Luma   | Chroma | CVBS  | B      | R      |
| 0   | 1  | 1  | 1  | G     | Chroma | Luma   | CVBS  | B      | R      |
| 1   | 0  | 0  | 0  | Y     | Pb     | Pr     | CVBS  | Luma   | Chroma |
| 1   | 0  | 0  | 1  | Y     | Pb     | Pr     | CVBS  | Chroma | Luma   |
| 1   | 0  | 1  | 0  | CVBS  | Luma   | Chroma | Y     | Pb     | Pr     |
| 1   | 0  | 1  | 1  | CVBS  | Chroma | Luma   | Y     | Pb     | Pr     |
| 1   | 1  | 0  | 0  | CVBS  | Pb     | Pr     | Y     | Luma   | Chroma |
| 1   | 1  | 0  | 1  | CVBS  | Pb     | Pr     | Y     | Chroma | Luma   |
| 1   | 1  | 1  | 0  | Y     | Luma   | Chroma | CVBS  | Pb     | Pr     |
| 1   | 1  | 1  | 1  | Y     | Chroma | Luma   | CVBS  | Pb     | Pr     |

<sup>1</sup> If SD RGB output is selected, a color reversal is possible using Subaddress 0x86, Bit 7.

Table 38. ED/HD Only Output Configurations

| RGB/YPrPb Output Select (Subaddress 0x02, Bit 5) | ED/HD Color DAC Swap (Subaddress 0x35, Bit 3) | DAC 1 | DAC 2 | DAC 3 | DAC 4 | DAC 5 | DAC 6 |
|--|---|-------|-------|-------|-------|-------|-------|
| 0  | 0   | G     | B     | R     | N/A   | N/A   | N/A   |
| 0  | 1   | G     | R     | B     | N/A   | N/A   | N/A   |
| 1  | 0   | Y     | Pb    | Pr    | N/A   | N/A   | N/A   |
| 1  | 1   | Y     | Pr    | Pb    | N/A   | N/A   | N/A   |

Table 39. Simultaneous SD and ED/HD Output Configurations

| RGB/YPrPb Output Select (Subaddress 0x02, Bit 5) | ED/HD Color DAC Swap (Subaddress 0x35, Bit 3) | SD Luma/Chroma Swap (Subaddress 0x84, Bit 7) | DAC 1 (ED/HD) | DAC 2 (ED/HD) | DAC 3 (ED/HD) | DAC 4 (SD) | DAC 5 (SD) | DAC 6 (SD) |
|--|---|--|---------------|---------------|---------------|------------|------------|------------|
| 0  | 0   | 0  | G             | B             | R             | CVBS       | Luma       | Chroma     |
| 0  | 0   | 1  | G             | B             | R             | CVBS       | Chroma     | Luma       |
| 0  | 1   | 0  | G             | R             | B             | CVBS       | Luma       | Chroma     |
| 0  | 1   | 1  | G             | R             | B             | CVBS       | Chroma     | Luma       |
| 1  | 0   | 0  | Y             | Pb            | Pr            | CVBS       | Luma       | Chroma     |
| 1  | 0   | 1  | Y             | Pb            | Pr            | CVBS       | Chroma     | Luma       |
| 1  | 1   | 0  | Y             | Pr            | Pb            | CVBS       | Luma       | Chroma     |
| 1  | 1   | 1  | Y             | Pr            | Pb            | CVBS       | Chroma     | Luma       |

Table 40. ED Only (at 54 MHz) Output Configurations

| RGB/YPrPb Output Select (Subaddress 0x02, Bit 5) | ED/HD Color DAC Swap (Subaddress 0x35, Bit 3) | DAC 1 | DAC 2 | DAC 3 | DAC 4 | DAC 5 | DAC 6 |
|--|---|-------|-------|-------|-------|-------|-------|
| 0  | 0   | G     | B     | R     | N/A   | N/A   | N/A   |
| 0  | 1   | G     | R     | B     | N/A   | N/A   | N/A   |
| 1  | 0   | Y     | Pb    | Pr    | N/A   | N/A   | N/A   |
| 1  | 1   | Y     | Pr    | Pb    | N/A   | N/A   | N/A   |

## DESIGN FEATURES

### OUTPUT OVERSAMPLING

The [ADV7342/ADV7343](#) include two on-chip phase-locked loops (PLLs) that allow for oversampling of SD, ED, and HD video data. Table 41 shows the various oversampling rates supported in the [ADV7342/ADV7343](#).

#### **SD Only, ED Only, and HD Only Modes**

PLL 1 is used in SD only, ED only, and HD only modes. PLL 2 is unused in these modes. PLL 1 is disabled by default and can be enabled using Subaddress 0x00, Bit 1 = 0.

#### **External Sync Polarity**

For SD and ED/HD modes, the [ADV7342/ADV7343](#) parts typically expect HS and VS to be low during their respective blanking periods. However, when the CEA861 compliance bit is enabled (0x39, Bit 5 for ED/HD modes and 0x86, Bit 3 for SD modes), the part expects the HS or VS to be active low or high, depending on the input format selected (0x30 Bits [7:3]).

If a polarity other than the default is needed for ED/HD modes, 0x3A Bits [2:0] can be used to invert PHSYNCB, PVSYNCB or PBLANKB individually, regardless of whether CEA-861-B mode is enabled. It is not possible to invert S\_HSYNC or S\_VSYNC.

#### **SD and ED/HD Simultaneous Modes**

Both PLL 1 and PLL 2 are used in simultaneous modes. The use of two PLLs allows for independent oversampling of SD and ED/HD video. PLL 1 is used to oversample SD video data, and PLL 2 is used to oversample ED/HD video data. In simultaneous modes, PLL 2 is always enabled. PLL 1 is disabled by default and can be enabled using Subaddress 0x00, Bit 1 = 0.

**Table 41. Output Oversampling Modes and Rates**

| Input Mode<br>Subaddress 0x01 Bits[6:4] |                     | PLL and Oversampling Control<br>Subaddress 0x00, Bit 1 | Oversampling Mode and Rate |
|---|---------------------|--|----------------------------|
| 000                                     | SD only             | 1  | SD (2×)                    |
| 000                                     | SD only             | 0  | SD (16×)                   |
| 001/010                                 | ED only             | 1  | ED (1×)                    |
| 001/010                                 | ED only             | 0  | ED (8×)                    |
| 001/010                                 | HD only             | 1  | HD (1×)                    |
| 001/010                                 | HD only             | 0  | HD (4×)                    |
| 011/100                                 | SD and ED           | 1  | SD (2×) and ED (8×)        |
| 011/100                                 | SD and ED           | 0  | SD (16×) and ED (8×)       |
| 011/100                                 | SD and HD           | 1  | SD (2×) and HD (4×)        |
| 011/100                                 | SD and HD           | 0  | SD (16×) and HD (4×)       |
| 111                                     | ED only (at 54 MHz) | 1  | ED only (at 54 MHz) (1×)   |
| 111                                     | ED only (at 54 MHz) | 0  | ED only (at 54 MHz) (8×)   |

**HD INTERLACE EXTERNAL P\_HSYNC AND P\_VSYNC CONSIDERATIONS**

If the encoder revision code (Subaddress 0xBB, Bits[7:6]) = 01 or higher, the user should set Subaddress 0x02, Bit 1 to high to ensure exactly correct timing in HD interlace modes when using the P\_HSYNC and P\_VSYNC synchronization signals. If this bit is set to low, the first active pixel on each line is masked and the Pr and Pb outputs are swapped when using the YCrCb 4:2:2 input format. Setting Subaddress 0x02, Bit 1 to low causes the encoder to behave in the same way as the first version of silicon (that is, this setting is backward compatible).

If the encoder revision code (Subaddress 0xBB, Bits[7:6]) = 00, the setting of Subaddress 0x02, Bit 1 has no effect. In this version of the encoder, the first active pixel is masked and Pr and Pb outputs are swapped when using the YCrCb 4:2:2 input format. To avoid these limitations, use the newer version of silicon or a different type of synchronization.

These considerations apply only to the HD interlace modes with external P\_HSYNC and P\_VSYNC synchronization (EAV/SAV mode is not affected and always has exactly correct timing). There is no negative effect in setting Subaddress 0x02, Bit 0 to high, and this bit can remain high for all the other video standards.

**ED/HD TIMING RESET**

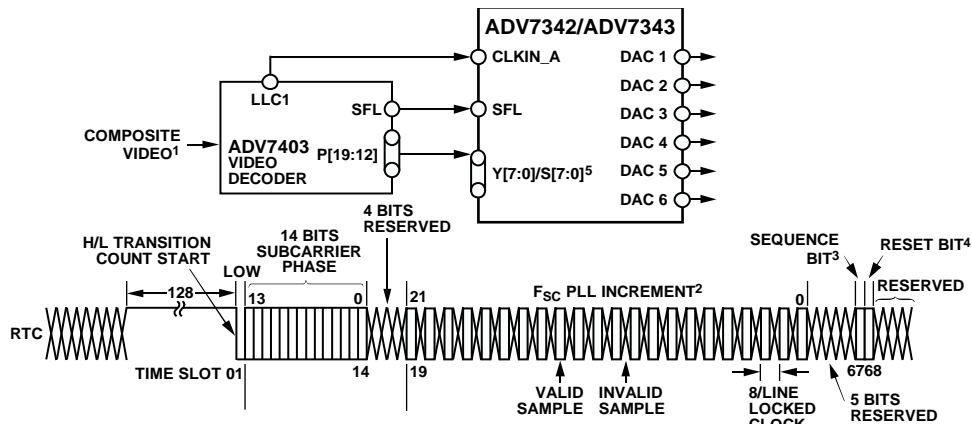
**Subaddress 0x34, Bit 0**

An ED/HD timing reset is achieved by toggling the ED/HD timing reset control bit (Subaddress 0x34, Bit 0) from 0 to 1. In this state, the horizontal and vertical counters remain reset. When this bit is set back to 0, the internal counters resume counting. This timing reset applies to the ED/HD timing counters only.

**SD SUBCARRIER FREQUENCY LOCK**

**Subcarrier Frequency Lock (SFL) Mode**

In this mode (Subaddress 0x84, Bits[2:1] = 11), the ADV7342/ADV7343 can be used to lock to an external video source. The SFL mode allows the ADV7342/ADV7343 to automatically alter the subcarrier frequency to compensate for line length variations. When the part is connected to a device such as an ADV7403 video decoder (see Figure 59) that outputs a digital data stream in the SFL format, the part automatically changes to the compensated subcarrier frequency on a line-by-line basis. This digital data stream is 67 bits wide, and the subcarrier is contained in Bit 0 to Bit 21. Each bit is two clock cycles long.



<sup>1</sup>FOR EXAMPLE, VCR OR CABLE.  
<sup>2</sup>F<sub>SC</sub> PLL INCREMENT IS 22 BITS LONG. VALUE LOADED INTO ADV7342/ADV7343 F<sub>SC</sub> DDS REGISTER IS F<sub>SC</sub> PLL INCREMENTS BITS[21:0] PLUS BITS[0:9] OF SUBCARRIER FREQUENCY REGISTERS.  
<sup>3</sup>SEQUENCE BIT  
 PAL: 0 = LINE NORMAL, 1 = LINE INVERTED  
 NTSC: 0 = NO CHANGE  
<sup>4</sup>RESET ADV7342/ADV7343 DDS.  
<sup>5</sup>SELECTED BY SUBADDRESS 0x01, BIT 7.

Figure 59. SD Subcarrier Frequency Lock Timing and Connections Diagram (Subaddress 0x84, Bits [2:1] = 11)

06389-063

**SD VCR FF/RW SYNC****Subaddress 0x82, Bit 5**

In DVD record applications where the encoder is used with a decoder, the VCR FF/RW sync control bit can be used for non-standard input video, that is, in fast forward or rewind mode.

In fast forward mode, the sync information at the start of a new field in the incoming video usually occurs before the correct number of lines/fields is reached. In rewind mode, this sync signal usually occurs after the total number of lines/fields is reached. Conventionally, this means that the output video has corrupted field signals because one signal is generated by the incoming video and another is generated when the internal line/field counters reach the end of a field.

When the VCR FF/RW sync control is enabled (Subaddress 0x82, Bit 5), the line/field counters are updated according to the incoming VSYNC signal and when the analog output matches the incoming VSYNC signal.

This control is available in all slave-timing modes except Slave Mode 0.

**VERTICAL BLANKING INTERVAL****Subaddress 0x31, Bit 4; Subaddress 0x83, Bit 4**

The ADV7342/ADV7343 are able to accept input data that contains VBI data (such as CGMS, WSS, and VITS) in SD, ED, and HD modes.

If VBI is disabled (Subaddress 0x31, Bit 4 for ED/HD; Subaddress 0x83, Bit 4 for SD), VBI data is not present at the output and the entire VBI is blanked. These control bits are valid in all master and slave timing modes.

For the SMPTE 293M (525p) standard, VBI data can be inserted on Line 13 to Line 42 of each frame or on Line 6 to Line 43 for the ITU-R BT.1358 (625p) standard.

VBI data can be present on Line 10 to Line 20 for NTSC and on Line 7 to Line 22 for PAL.

In SD Timing Mode 0 (slave option), if VBI is enabled, the blanking bit in the EAV/SAV code is overwritten. It is possible to use VBI in this timing mode as well.

If CGMS is enabled and VBI is disabled, the CGMS data is, nevertheless, available at the output.

**SD SUBCARRIER FREQUENCY CONTROL****Subaddress 0x8C to Subaddress 0x8F**

The ADV7342/ADV7343 are able to generate the color subcarrier used in CVBS and S-Video (Y-C) outputs from the input pixel clock. Four 8-bit registers are used to set up the subcarrier frequency. The value of these registers is calculated using

$$\text{Subcarrier Frequency Register} = \frac{\text{Number of subcarrier periods in one video line}}{\text{Number of 27 MHz clk cycles in one video line}} \times 2^{32}$$

where the sum is rounded to the nearest integer.

For example, in NTSC mode

$$\text{Subcarrier Register Value} = \left( \frac{227.5}{1716} \right) \times 2^{32} = 569408543$$

where:

$$\text{Subcarrier Register Value} = 569408543_{10} = 0 \times 21F07C1F_{16}$$

SD F<sub>sc</sub> Register 0: 0x1F

SD F<sub>sc</sub> Register 1: 0x7C

SD F<sub>sc</sub> Register 2: 0xF0

SD F<sub>sc</sub> Register 3: 0x21

**Programming the F<sub>sc</sub>**

The subcarrier frequency register value is divided into four F<sub>sc</sub> registers as shown in the previous example. The four subcarrier frequency registers must be updated sequentially, starting with Subcarrier Frequency Register 0 and ending with Subcarrier Frequency Register 3. The subcarrier frequency updates only after the last subcarrier frequency register byte is received by the ADV7342/ADV7343. The SD input standard autodetection feature must be disabled.

**Typical F<sub>sc</sub> Values**

Table 42 outlines the values that should be written to the subcarrier frequency registers for NTSC and PAL B/D/G/H/I.

**Table 42. Typical F<sub>sc</sub> Values**

| Subaddress | Description       | NTSC | PAL B/D/G/H/I |
|------------|-------------------|------|---------------|
| 0x8C       | F <sub>sc</sub> 0 | 0x1F | 0xCB          |
| 0x8D       | F <sub>sc</sub> 1 | 0x7C | 0x8A          |
| 0x8E       | F <sub>sc</sub> 2 | 0xF0 | 0x09          |
| 0x8F       | F <sub>sc</sub> 3 | 0x21 | 0x2A          |

**SD NONINTERLACED MODE****Subaddress 0x88, Bit 1**

The ADV7342/ADV7343 support an SD noninterlaced mode. Using this mode, progressive inputs at twice the frame rate of NTSC and PAL (240p/59.94 Hz and 288p/50 Hz, respectively) can be input into the ADV7342/ADV7343. The SD noninterlaced mode can be enabled using Subaddress 0x88, Bit 1.

A 27 MHz clock signal must be provided on the CLKIN\_A pin. Embedded EAV/SAV timing codes or external horizontal and vertical synchronization signals provided on the S\_HSYNC and S\_VSYNC pins can be used to synchronize the input pixel data.

All input configurations, output configurations, and features available in NTSC and PAL modes are available in SD non-interlaced mode.

For 240p/59.94 Hz input, the ADV7342/ADV7343 should be configured for NTSC operation, and Subaddress 0x88, Bit 1 should be set to 1.

For 288p/50 Hz input, the ADV7342/ADV7343 should be configured for PAL operation, and Subaddress 0x88, Bit 1 should be set to 1.

**SD SQUARE PIXEL MODE**

**Subaddress 0x82, Bit 4**

The ADV7342/ADV7343 support an SD square pixel mode (Subaddress 0x82, Bit 4). For NTSC operation, an input clock of 24.5454 MHz is required. The active resolution is 640 × 480. For PAL operation, an input clock of 29.5 MHz is required. The active resolution is 768 × 576.

For CVBS and S-Video (Y-C) outputs, the SD subcarrier frequency registers must be updated to reflect the input clock frequency used in SD square pixel mode. The SD input standard autodetection feature must be disabled in SD square pixel mode. In square pixel mode, the timing diagrams shown in Figure 60 and Figure 61 apply.

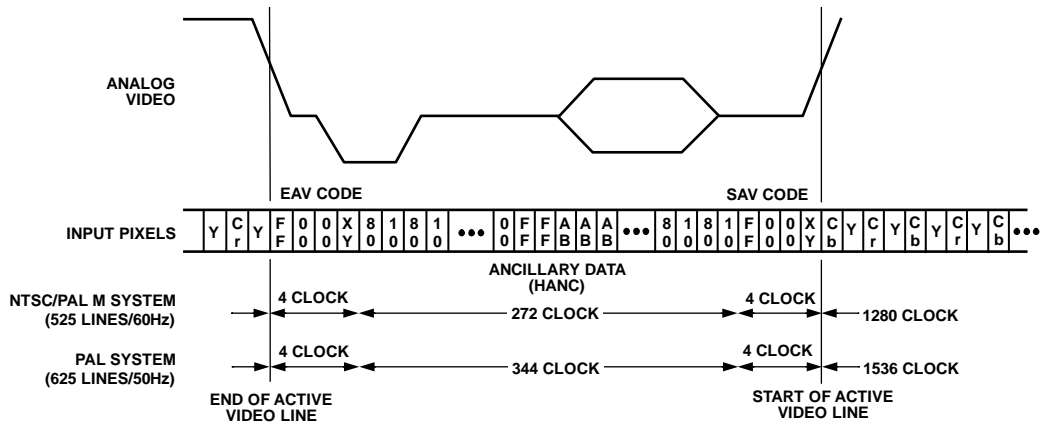


Figure 60. Square Pixel Mode EAV/SAV Embedded Timing

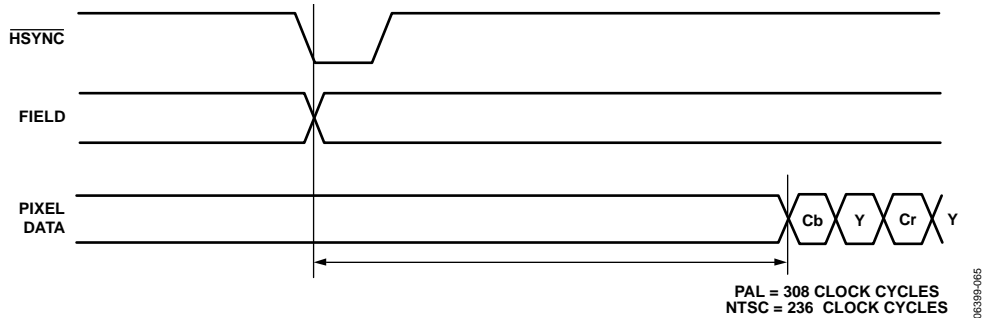


Figure 61. Square Pixel Mode Active Pixel Timing

**FILTERS**

Table 43 shows an overview of the programmable filters available on the [ADV7342/ADV7343](#).

**Table 43. Selectable Filters**

| Filter                         | Subaddress |
|--------------------------------|------------|
| SD Luma LPF NTSC               | 0x80       |
| SD Luma LPF PAL                | 0x80       |
| SD Luma Notch NTSC             | 0x80       |
| SD Luma Notch PAL              | 0x80       |
| SD Luma SSAF                   | 0x80       |
| SD Luma CIF                    | 0x80       |
| SD Luma QCIF                   | 0x80       |
| SD Chroma 0.65 MHz             | 0x80       |
| SD Chroma 1.0 MHz              | 0x80       |
| SD Chroma 1.3 MHz              | 0x80       |
| SD Chroma 2.0 MHz              | 0x80       |
| SD Chroma 3.0 MHz              | 0x80       |
| SD Chroma CIF                  | 0x80       |
| SD Chroma QCIF                 | 0x80       |
| SD PrPb SSAF                   | 0x82       |
| ED/HD Chroma Input             | 0x33       |
| ED/HD Sinc Compensation Filter | 0x33       |
| ED/HD Chroma SSAF              | 0x33       |

**SD Internal Filter Response**

**Subaddress 0x80, Bits[7:2]; Subaddress 0x82, Bit 0**

The Y filter supports several different frequency responses, including two low-pass responses, two notch responses, an extended (SSAF) response with or without gain boost attenuation, a CIF response, and a QCIF response. The PrPb filter supports several different frequency responses, including six low-pass responses, a CIF response, and a QCIF response, as shown in Figure 38 and Figure 39.

If SD SSAF gain is enabled (Subaddress 0x87, Bit 4), there are 13 response options in the -4 dB to +4 dB range. The desired response can be programmed using Subaddress 0xA2. The variation in frequency responses is shown in Figure 35 to Figure 37.

In addition to the chroma filters listed in Table 43, the [ADV7342/ADV7343](#) contain an SSAF filter that is specifically designed for the color difference component outputs, Pr and Pb. This filter has a cutoff frequency of ~2.7 MHz and a gain of -40 dB at 3.8 MHz (see Figure 62). This filter can be controlled with Subaddress 0x82, Bit 0.

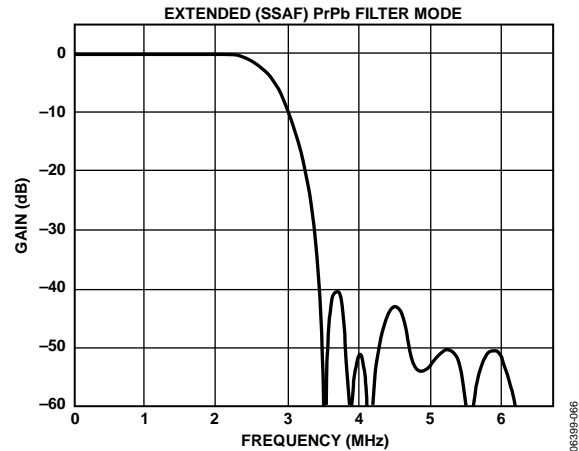


Figure 62. PrPb SSAF Filter

If this filter is disabled, one of the chroma filters shown in Table 44 can be selected and used for the CVBS or luma/ chroma signal.

**Table 44. Internal Filter Specifications**

| Filter          | Pass-Band Ripple (dB) <sup>1</sup> | 3 dB Bandwidth (MHz) <sup>2</sup> |
|-----------------|------------------------------------|-----------------------------------|
| Luma LPF NTSC   | 0.16                               | 4.24                              |
| Luma LPF PAL    | 0.1                                | 4.81                              |
| Luma Notch NTSC | 0.09                               | 2.3/4.9/6.6                       |
| Luma Notch PAL  | 0.1                                | 3.1/5.6/6.4                       |
| Luma SSAF       | 0.04                               | 6.45                              |
| Luma CIF        | 0.127                              | 3.02                              |
| Luma QCIF       | Monotonic                          | 1.5                               |
| Chroma 0.65 MHz | Monotonic                          | 0.65                              |
| Chroma 1.0 MHz  | Monotonic                          | 1                                 |
| Chroma 1.3 MHz  | 0.09                               | 1.395                             |
| Chroma 2.0 MHz  | 0.048                              | 2.2                               |
| Chroma 3.0 MHz  | Monotonic                          | 3.2                               |
| Chroma CIF      | Monotonic                          | 0.65                              |
| Chroma QCIF     | Monotonic                          | 0.5                               |

<sup>1</sup> Pass-band ripple is the maximum fluctuation from the 0 dB response in the pass band, measured in decibels. The pass band is defined to have 0 Hz to  $f_c$  (Hz) frequency limits for a low-pass filter and 0 Hz to  $f_1$  (Hz) and  $f_2$  (Hz) to infinity for a notch filter, where  $f_c$ ,  $f_1$ , and  $f_2$  are the -3 dB points.

<sup>2</sup> 3 dB bandwidth refers to the -3 dB cutoff frequency.



**ED/HD Sinc Compensation Filter Response**  
**Subaddress 0x33, Bit 3**

The ADV7342/ADV7343 include a filter designed to counter the effect of sinc roll-off in DAC 1, DAC 2, and DAC 3 while operating in ED/HD mode. This filter is enabled by default. It can be disabled using Subaddress 0x33, Bit 3. The benefit of the filter is illustrated in Figure 63 and Figure 64.

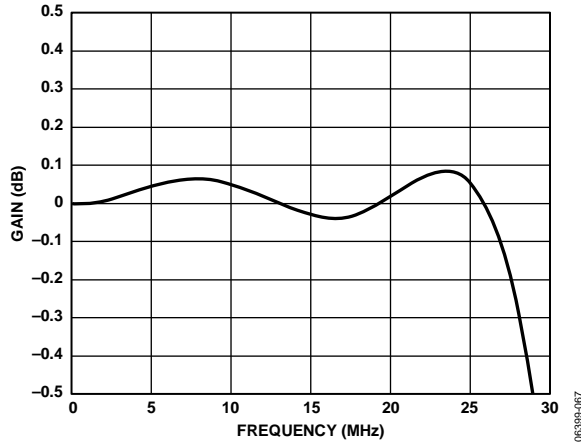


Figure 63. ED/HD Sinc Compensation Filter Enabled

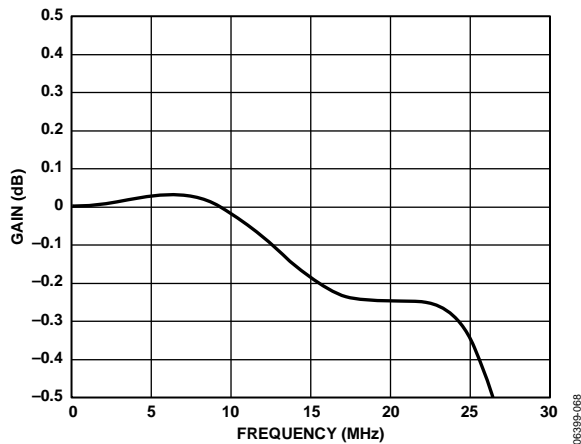


Figure 64. ED/HD Sinc Compensation Filter Disabled

**ED/HD TEST PATTERN COLOR CONTROLS**

**Subaddress 0x36 to Subaddress 0x38**

Three 8-bit registers at Subaddress 0x36 to Subaddress 0x38 are used to program the output color of the internal ED/HD test pattern generator (Subaddress 0x31, Bit 2 = 1), whether it be the lines of the crosshatch pattern or the uniform field test pattern. They are not functional as color controls for external pixel data input.

The values for the luma (Y) and the color difference (Cr and Cb) signals used to obtain white, black, and saturated primary and complementary colors conform to the ITU-R BT.601-4 standard.

Table 45 shows sample color values that can be programmed into the color registers when the output standard selection is set to EIA 770.2/EIA 770.3 (Subaddress 0x30, Bits[1:0] = 00).

**Table 45. Sample Color Values for EIA 770.2/EIA 770.3 ED/HD Output Standard Selection**

| Sample Color | Y Value    | Cr Value   | Cb Value   |
|--------------|------------|------------|------------|
| White        | 235 (0xEB) | 128 (0x80) | 128 (0x80) |
| Black        | 16 (0x10)  | 128 (0x80) | 128 (0x80) |
| Red          | 81 (0x51)  | 240 (0xF0) | 90 (0x5A)  |
| Green        | 145 (0x91) | 34 (0x22)  | 54 (0x36)  |
| Blue         | 41 (0x29)  | 110 (0x6E) | 240 (0xF0) |
| Yellow       | 210 (0xD2) | 146 (0x92) | 16 (0x10)  |
| Cyan         | 170 (0xAA) | 16 (0x10)  | 166 (0xA6) |
| Magenta      | 106 (0x6A) | 222 (0xDE) | 202 (0xCA) |

**COLOR SPACE CONVERSION MATRIX**

**Subaddress 0x03 to Subaddress 0x09**

The internal color space conversion (CSC) matrix automatically performs all color space conversions based on the input mode programmed in the mode select register (Subaddress 0x01, Bits[6:4]). Table 46 and Table 47 show the options available in this matrix.

An SD color space conversion from RGB-in to YPrPb-out is possible. An ED/HD color space conversion from RGB-in to YPrPb-out is not possible.

**Table 46. SD Color Space Conversion Options**

| Input | Output <sup>1</sup> | YPrPb/RGB Out (Subaddress 0x02, Bit 5) | RGB In/YCrCb In (Subaddress 0x87, Bit 7) |
|-------|---------------------|--|--|
| YCrCb | YPrPb               | 1                                      | 0  |
| YCrCb | RGB                 | 0                                      | 0  |
| RGB   | YPrPb               | 1                                      | 1  |
| RGB   | RGB                 | 0                                      | 1  |

<sup>1</sup> CVBS/YC outputs are available for all CSC combinations.

**Table 47. ED/HD Color Space Conversion Options**

| Input | Output | YPrPb/RGB Out (Subaddress 0x02, Bit 5) | RGB In/YCrCb In (Subaddress 0x35, Bit 1) |
|-------|--------|--|--|
| YCrCb | YPrPb  | 1                                      | 0  |
| YCrCb | RGB    | 0                                      | 0  |
| RGB   | RGB    | 0                                      | 1  |

**SD Manual CSC Matrix Adjust Feature**

The SD manual CSC matrix adjust feature provides custom coefficient manipulation for RGB to YPbPr conversion (for YPbPr to RGB conversion, this matrix adjustment is not available).

Normally, there is no need to modify the SD matrix coefficients because the CSC matrix automatically performs the color space conversion based on the output color space selected (see Table 46). Note that Bit 7 in Subaddress 0x87 must be set to enable RGB input and, therefore, use the CSC manual adjustment.

The SD CSC matrix scalar uses the following equations:

$$Y = (a1 \times R) + (a2 \times G) + (a3 \times B) + a4$$

$$Pr = (b1 \times R) + (b2 \times G) + (b3 \times B) + b4$$

$$Pb = (c1 \times R) + (c2 \times G) + (c3 \times B) + c4$$

The coefficients and their default values and register locations are shown in Table 48.

**Table 48. SD Manual CSC Matrix Default Values**

| Coefficient | Subaddress | Default |
|-------------|------------|---------|
| a1          | 0xBD       | 0x42    |
| a2          | 0xBE       | 0x81    |
| a3          | 0xBF       | 0x19    |
| a4          | 0xC0       | 0x10    |
| b1          | 0xC1       | 0x70    |
| b2          | 0xC2       | 0x5E    |
| b3          | 0xC3       | 0x12    |
| b4          | 0xC4       | 0x80    |
| c1          | 0xC5       | 0x26    |
| c2          | 0xC6       | 0x4A    |
| c3          | 0xC7       | 0x70    |
| c4          | 0xC8       | 0x80    |

**ED/HD Manual CSC Matrix Adjust Feature**

The ED/HD manual CSC matrix adjust feature provides custom coefficient manipulation for color space conversions and is used in ED and HD modes only. The ED/HD manual CSC matrix adjust feature can be enabled using Subaddress 0x02, Bit 3.

Normally, there is no need to enable this feature because the CSC matrix automatically performs the color space conversion based on the input mode chosen (ED or HD) and the input and output color spaces selected (see Table 47). For this reason, the ED/HD manual CSC matrix adjust feature is disabled by default.

If RGB output is selected, the ED/HD CSC matrix scalar uses the following equations:

$$R = GY \times Y + RV \times Pr$$

$$G = GY \times Y - (GU \times Pb) - (GV \times Pr)$$

$$B = GY \times Y + BU \times Pb$$

Note that subtractions are implemented in hardware.

If YPrPb output is selected, the following equations are used:

$$Y = GY \times Y$$

$$Pr = RV \times Pr$$

$$Pb = BU \times Pb$$

where:

GY = Subaddress 0x05, Bits[7:0] and Subaddress 0x03, Bits[1:0].

GU = Subaddress 0x06, Bits[7:0] and Subaddress 0x04, Bits[7:6].

GV = Subaddress 0x07, Bits[7:0] and Subaddress 0x04, Bits[5:4].

BU = Subaddress 0x08, Bits[7:0] and Subaddress 0x04, Bits[3:2].

RV = Subaddress 0x09, Bits[7:0] and Subaddress 0x04, Bits[1:0].

On power-up, the CSC matrix is programmed with the default values shown in Table 49.

**Table 49. ED/HD Manual CSC Matrix Default Values**

| Subaddress | Default |
|------------|---------|
| 0x03       | 0x03    |
| 0x04       | 0xF0    |
| 0x05       | 0x4E    |
| 0x06       | 0x0E    |
| 0x07       | 0x24    |
| 0x08       | 0x92    |
| 0x09       | 0x7C    |

When the ED/HD manual CSC matrix adjust feature is enabled, the default coefficient values in Subaddress 0x03 to Subaddress 0x09 are correct for the HD color space only. The color components are converted according to the following 1080i and 720p standards (SMPTE 274M, SMPTE 296M):

$$R = Y + 1.575Pr$$

$$G = Y - 0.468Pr - 0.187Pb$$

$$B = Y + 1.855Pb$$

The conversion coefficients should be multiplied by 315 before being written to the ED/HD CSC matrix registers. This is reflected in the default values for GY = 0x13B, GU = 0x03B, GV = 0x093, BU = 0x248, and RV = 0x1F0.

If the ED/HD manual CSC matrix adjust feature is enabled and another input standard (such as ED) is used, the scale values for GY, GU, GV, BU, and RV must be adjusted according to this input standard color space. The user should consider that the color component conversion may use different scale values.

For example, SMPTE 293M uses the following conversion:

$$R = Y + 1.402Pr$$

$$G = Y - 0.714Pr - 0.344Pb$$

$$B = Y + 1.773Pb$$

The programmable CSC matrix is used for external ED/HD pixel data and is not functional when internal test patterns are enabled.

**Programming the CSC Matrix**

If custom manipulation of the ED/HD CSC matrix coefficients is required for a YCrCb-to-RGB color space conversion, use the following procedure:

1. Enable the ED/HD manual CSC matrix adjust feature (Subaddress 0x02, Bit 3).
2. Set the output to RGB (Subaddress 0x02, Bit 5).
3. Disable sync on PrPb (Subaddress 0x35, Bit 2).
4. Enable sync on RGB (optional) (Subaddress 0x02, Bit 4).

The GY value controls the green signal output level, the BU value controls the blue signal output level, and the RV value controls the red signal output level.

## SD LUMA AND COLOR SCALE CONTROL

### Subaddress 0x9C to Subaddress 0x9F

When enabled, the SD luma and color scale control feature can be used to scale the SD Y, Cb, and Cr output levels. This feature can be enabled using Subaddress 0x87, Bit 0. This feature affects all SD output signals, that is, CVBS, Y-C, YPrPb, and RGB.

When enabled, three 10-bit registers (SD Y Scale, SD Cb scale, and SD Cr scale) control the scaling of the SD Y, Cb, and Cr output levels. The SD Y scale register contains the scaling factor used to scale the Y level from 0.0 to 1.5 times its initial level. The SD Cb scale and SD Cr scale registers contain the scaling factors to scale the Cb and Cr levels from 0.0 to 2.0 times their initial levels, respectively.

The values to be written to these 10-bit registers are calculated using the following equation:

$$Y, Cb, \text{ or } Cr \text{ Scale Value} = \text{Scale Factor} \times 512$$

For example, if *Scale Factor* = 1.3

$$Y, Cb, \text{ or } Cr \text{ Scale Value} = 1.3 \times 512 = 665.6$$

$$Y, Cb, \text{ or } Cr \text{ Scale Value} = 666 \text{ (rounded to the nearest integer)}$$

$$Y, Cb, \text{ or } Cr \text{ Scale Value} = 1010 \ 0110 \ 10b$$

Subaddress 0x9C, SD scale LSB register = 0x2A

Subaddress 0x9D, SD Y scale register = 0xA6

Subaddress 0x9E, SD Cb scale register = 0xA6

Subaddress 0x9F, SD Cr scale register = 0xA6

It is recommended that the SD luma scale saturation feature (Subaddress 0x87, Bit 1) be enabled when scaling the Y output level to avoid excessive Y output levels.

## SD HUE ADJUST CONTROL

### Subaddress 0xA0

When enabled, the SD hue adjust control register (Subaddress 0xA0) is used to adjust the hue on the SD composite and chroma outputs. This feature can be enabled using Subaddress 0x87, Bit 2.

Subaddress 0xA0 contains the bits required to vary the hue of the video data, that is, the variance in phase of the subcarrier during active video with respect to the phase of the subcarrier during the color burst. The [ADV7342/ADV7343](#) provide a range of  $\pm 22.5^\circ$  in increments of  $0.17578125^\circ$ . For normal operation (zero adjustment), this register is set to 0x80. Value 0xFF and Value 0x00 represent the upper and lower limits, respectively, of the attainable adjustment in NTSC mode. Value 0xFF and Value 0x01 represent the upper and lower limits, respectively, of the attainable adjustment in PAL mode.

The hue adjust value is calculated using the following equation:

$$\text{Hue Adjust } (^\circ) = 0.17578125^\circ (HCR_d - 128)$$

where  $HCR_d$  is the hue adjust control register (decimal).

For example, to adjust the hue by  $+4^\circ$ , write 0x97 to the hue adjust control register.

$$\left( \frac{4}{0.17578125} \right) + 128 \approx 151d = 0x97$$

where the sum is rounded to the nearest integer.

To adjust the hue by  $-4^\circ$ , write 0x69 to the hue adjust control register.

$$\left( \frac{-4}{0.17578125} \right) + 128 \approx 105d = 0x69$$

where the sum is rounded to the nearest integer.

## SD BRIGHTNESS DETECT

### Subaddress 0xBA

The [ADV7342/ADV7343](#) allow monitoring of the brightness level of the incoming video data. This feature is used to monitor the average brightness of the incoming Y signal on a field-by-field basis. The information is read from the I<sup>2</sup>C and, based on this information, the color saturation, contrast, and brightness controls can be adjusted (for example, to compensate for very dark pictures).

The luma data is monitored in the active video area only. The average brightness I<sup>2</sup>C register is updated on the falling edge of every VSYNC signal. The SD brightness detect register (Subaddress 0xBA) is a read-only register.

## SD BRIGHTNESS CONTROL

### Subaddress 0xA1, Bits[6:0]

When this feature is enabled, the SD brightness/WSS control register (Subaddress 0xA1) is used to control brightness by adding a programmable setup level onto the scaled Y data. This feature can be enabled using Subaddress 0x87, Bit 3.

For NTSC with pedestal, the setup can vary from 0 IRE to 22.5 IRE. For NTSC without pedestal and for PAL, the setup can vary from  $-7.5$  IRE to  $+15$  IRE.

The SD brightness control register is an 8-bit register. The seven LSBs of this 8-bit register are used to control the brightness level, which can be a positive or negative value.

For example, to add a  $+20$  IRE brightness level to an NTSC signal with pedestal, write 0x28 to Subaddress 0xA1.

$$0 \times (\text{SD Brightness Value}) =$$

$$0 \times (\text{IRE Value} \times 2.015631) =$$

$$0 \times (20 \times 2.015631) = 0 \times (40.31262) \approx 0x28$$

To add a -7 IRE brightness level to a PAL signal, write 0x72 to Subaddress 0xA1.

$$0 \times (SD \text{ Brightness Value}) =$$

$$0 \times (IRE \text{ Value} \times 2.075631) =$$

$$0 \times (7 \times 2.015631) = 0x(14.109417) \approx 0001110b$$

$$0001110b \text{ into twos complement} = 1110010b = 0x72$$

**Table 50. Sample Brightness Control Values<sup>1</sup>**

| Setup Level (NTSC) with Pedestal | Setup Level (NTSC) Without Pedestal | Setup Level (PAL) | Brightness Control Value |
|----------------------------------|-------------------------------------|-------------------|--------------------------|
| 22.5 IRE                         | 15 IRE                              | 15 IRE            | 0x1E                     |
| 15 IRE                           | 7.5 IRE                             | 7.5 IRE           | 0x0F                     |
| 7.5 IRE                          | 0 IRE                               | 0 IRE             | 0x00                     |
| 0 IRE                            | -7.5 IRE                            | -7.5 IRE          | 0x71                     |

<sup>1</sup> Values in the range of 0x3F to 0x44 may result in an invalid output signal.

## SD INPUT STANDARD AUTODETECTION

### Subaddress 0x87, Bit 5

The [ADV7342/ADV7343](#) include an SD input standard autodetect feature. This SD feature can be enabled by setting Subaddress 0x87, Bits[5:1].

When enabled, the [ADV7342/ADV7343](#) can automatically identify an NTSC or a PAL B/D/G/H/I input stream. The [ADV7342/ADV7343](#) automatically update the subcarrier frequency registers with the appropriate value for the identified standard. The [ADV7342/ADV7343](#) are also configured to correctly encode the identified standard.

The SD standard bits (Subaddress 0x80, Bits[1:0]) and the subcarrier frequency registers are not updated to reflect the identified standard. All registers retain their default or user-defined values.

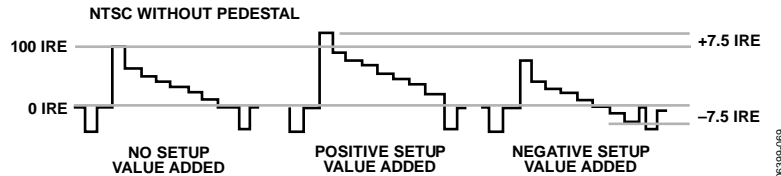


Figure 65. Examples of Brightness Control Values

**DOUBLE BUFFERING**

**Subaddress 0x33, Bit 7 for ED/HD;  
Subaddress 0x88, Bit 2 for SD**

Double-buffered registers are updated once per field. Double buffering improves overall performance because modifications to register settings are not made during active video but take effect prior to the start of the active video on the next field.

Double buffering can be activated on the following ED/HD registers using Subaddress 0x33, Bit 7: the ED/HD Gamma A and Gamma B curves and ED/HD CGMS registers.

Double buffering can be activated on the following SD registers using Subaddress 0x88, Bit 2: the SD Gamma A and Gamma B curves, SD Y scale, SD Cr scale, SD Cb scale, SD brightness, SD closed captioning, and SD Macrovision Bits[5:0] (Subaddress 0xE0, Bits[5:0]) registers.

**PROGRAMMABLE DAC GAIN CONTROL**

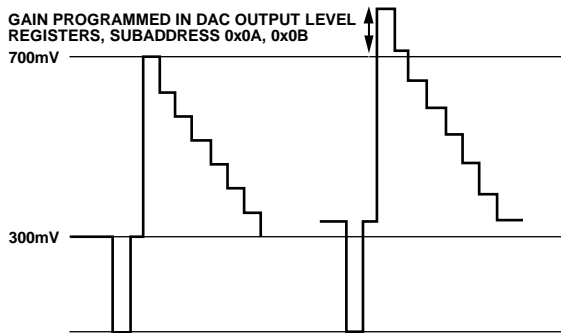
**Subaddress 0x0A to Subaddress 0x0B**

It is possible to adjust the DAC output signal gain up or down from its absolute level. This is illustrated in Figure 66.

DAC 4 to DAC 6 are controlled by Register 0x0A.

DAC 1 to DAC 3 are controlled by Register 0x0B.

CASE A



CASE B

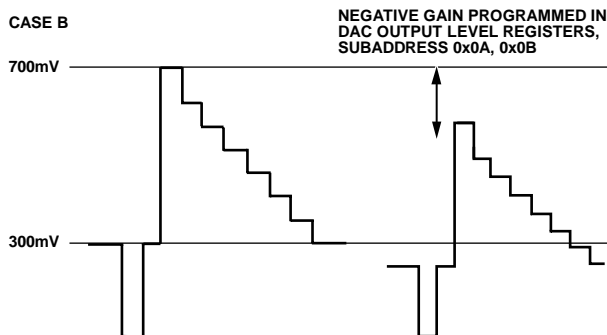


Figure 66. Programmable DAC Gain—Positive and Negative Gain

In Case A of Figure 66, the video output signal is gained. The absolute level of the sync tip and the blanking level increase with respect to the reference video output signal. The overall gain of the signal is increased from the reference signal.

In Case B of Figure 66, the video output signal is reduced. The absolute level of the sync tip and the blanking level decrease with respect to the reference video output signal. The overall gain of the signal is reduced from the reference signal.

The range of this feature is specified for ±7.5% of the nominal output from the DACs. For example, if the output current of the DAC is 4.33 mA, the DAC gain control feature can change this output current from 4.008 mA (−7.5%) to 4.658 mA (+7.5%).

The reset value of the control registers is 0x00; that is, nominal DAC current is output. Table 51 shows how the output current of the DACs varies for a nominal 4.33 mA output current.

Table 51. DAC Gain Control

| Subaddress 0x0A or Subaddress 0x0B | DAC Current (mA) | % Gain   | Note                 |
|------------------------------------|------------------|----------|----------------------|
| 0100 0000 (0x40)                   | 4.658            | 7.5000%  |                      |
| 0011 1111 (0x3F)                   | 4.653            | 7.3820%  |                      |
| 0011 1110 (0x3E)                   | 4.648            | 7.3640%  |                      |
| ...                                | ...              | ...      |                      |
| ...                                | ...              | ...      |                      |
| 0000 0010 (0x02)                   | 4.43             | 0.0360%  |                      |
| 0000 0001 (0x01)                   | 4.38             | 0.0180%  |                      |
| 0000 0000 (0x00)                   | 4.33             | 0.0000%  | Reset value, nominal |
| 1111 1111 (0xFF)                   | 4.25             | −0.0180% |                      |
| 1111 1110 (0xFE)                   | 4.23             | −0.0360% |                      |
| ...                                | ...              | ...      |                      |
| ...                                | ...              | ...      |                      |
| 1100 0010 (0xC2)                   | 4.018            | −7.3640% |                      |
| 1100 0001 (0xC1)                   | 4.013            | −7.3820% |                      |
| 1100 0000 (0xC0)                   | 4.008            | −7.5000% |                      |

**GAMMA CORRECTION**

**Subaddress 0x44 to Subaddress 0x57 for ED/HD;  
Subaddress 0xA6 to Subaddress 0xB9 for SD**

Generally, gamma correction is applied to compensate for the nonlinear relationship between signal input and output brightness level (as perceived on a CRT). It can also be applied wherever nonlinear processing is used.

Gamma correction uses the function

$$Signal_{OUT} = (Signal_{IN})^\gamma$$

where  $\gamma$  is the gamma correction factor.

Gamma correction is available for SD and ED/HD video. For both variations, there are twenty 8-bit registers. They are used to program the Gamma Correction Curve A and Gamma Correction Curve B.

ED/HD gamma correction is enabled using Subaddress 0x35, Bit 5. ED/HD Gamma Correction Curve A is programmed at Subaddress 0x44 to Subaddress 0x4D, and ED/HD Gamma Correction Curve B is programmed at Subaddress 0x4E to Subaddress 0x57.

SD gamma correction is enabled using Subaddress 0x88, Bit 6. SD Gamma Correction Curve A is programmed at Subaddress 0xA6 to Subaddress 0xAF, and SD Gamma Correction Curve B is programmed at Subaddress 0xB0 to Subaddress 0xB9.

Gamma correction is performed on the luma data only. The user can choose one of two correction curves, Curve A or Curve B. Only one of these curves can be used at a time. For ED/HD gamma correction, curve selection is controlled using Subaddress 0x35, Bit 4. For SD gamma correction, curve selection is controlled using Subaddress 0x88, Bit 7.

The shape of the gamma correction curve is controlled by defining the curve response at 10 different locations along the curve. By altering the response at these locations, the shape of the gamma correction curve can be modified. Between these points, linear interpolation is used to generate intermediate values. Considering that the curve has a total length of 256 points, the 10 programmable locations are at the following points: 24, 32, 48, 64, 80, 96, 128, 160, 192, and 224. The following locations are fixed and cannot be changed: 0, 16, 240, and 255.

From the curve locations, 16 to 240, the values at the programmable locations and, therefore, the response of the gamma correction curve, should be calculated to produce the following result:

$$X_{DESIRED} = (X_{INPUT})^\gamma$$

where:

$X_{DESIRED}$  is the desired gamma corrected output.

$X_{INPUT}$  is the linear input signal.

$\gamma$  is the gamma correction factor.

To program the gamma correction registers, calculate the 10 programmable curve values using the following formula:

$$\gamma_n = \left( \left( \frac{n-16}{240-16} \right)^\gamma \times (240-16) \right) + 16$$

where:

$\gamma_n$  is the value to be written into the gamma correction register for point  $n$  on the gamma correction curve.

$n = 24, 32, 48, 64, 80, 96, 128, 160, 192, \text{ or } 224.$

$\gamma$  is the gamma correction factor.

For example, setting  $\gamma = 0.5$  for all programmable curve data points results in the following  $\gamma_n$  values:

$$\gamma_{24} = [(8/224)^{0.5} \times 224] + 16 = 58$$

$$\gamma_{32} = [(16/224)^{0.5} \times 224] + 16 = 76$$

$$\gamma_{48} = [(32/224)^{0.5} \times 224] + 16 = 101$$

$$\gamma_{64} = [(48/224)^{0.5} \times 224] + 16 = 120$$

$$\gamma_{80} = [(64/224)^{0.5} \times 224] + 16 = 136$$

$$\gamma_{96} = [(80/224)^{0.5} \times 224] + 16 = 150$$

$$\gamma_{128} = [(112/224)^{0.5} \times 224] + 16 = 174$$

$$\gamma_{160} = [(144/224)^{0.5} \times 224] + 16 = 195$$

$$\gamma_{192} = [(176/224)^{0.5} \times 224] + 16 = 214$$

$$\gamma_{224} = [(208/224)^{0.5} \times 224] + 16 = 232$$

where the sum of each equation is rounded to the nearest integer.

The gamma curves in Figure 67 and Figure 68 are examples only; any user-defined curve in the range from 16 to 240 is acceptable.

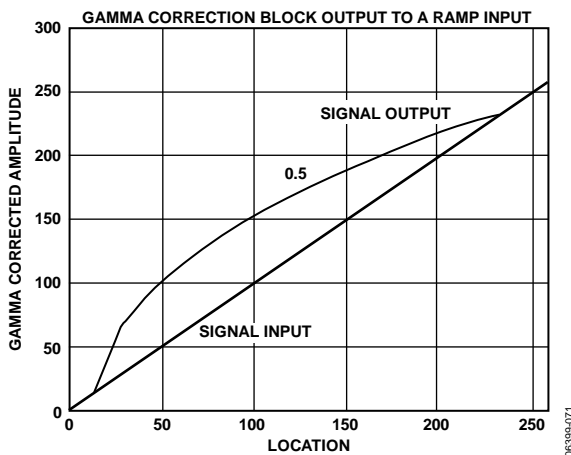


Figure 67. Signal Input (Ramp) and Signal Output for Gamma 0.5

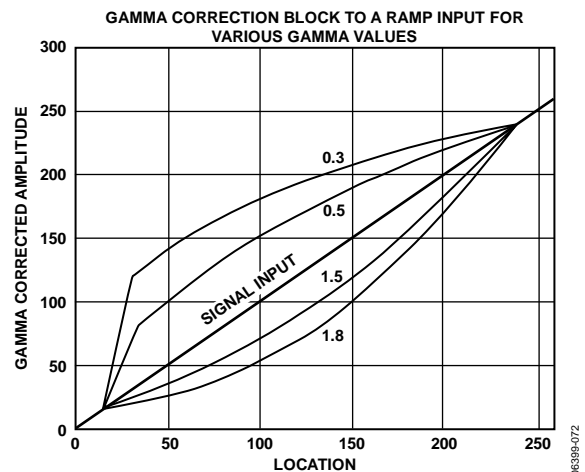


Figure 68. Signal Input (Ramp) and Selectable Output Curves

**ED/HD SHARPNESS FILTER AND ADAPTIVE FILTER CONTROLS**

**Subaddress 0x40; Subaddress 0x58 to Subaddress 0x5D**

There are three filter modes available on the ADV7342/ADV7343: a sharpness filter mode and two adaptive filter modes.

**ED/HD Sharpness Filter Mode**

To enhance or attenuate the Y signal in the frequency ranges shown in Figure 69, the ED/HD sharpness filter must be enabled (Subaddress 0x31, Bit 7) and the ED/HD adaptive filter must be disabled (Subaddress 0x35, Bit 7).

To select one of the 256 individual responses, the corresponding gain values, which range from -8 to +7 for each filter, must be programmed into the ED/HD sharpness filter gain register at Subaddress 0x40.

**ED/HD Adaptive Filter Mode**

The ED/HD adaptive filter (Threshold A, Threshold B, and Threshold C) registers, the ED/HD adaptive filter (Gain 1, Gain 2, and Gain 3) registers, and the ED/HD sharpness filter gain register are used in adaptive filter mode. To activate the adaptive filter control, the ED/HD sharpness filter and the ED/HD adaptive filter must be enabled (Subaddress 0x31, Bit 7, and Subaddress 0x35, Bit 7, respectively).

The derivative of the incoming signal is compared to the three programmable threshold values: ED/HD adaptive filter (Threshold A, Threshold B, and Threshold C) registers (Subaddress 0x5B, Subaddress 0x5C, and Subaddress 0x5D, respectively). The recommended threshold range is 16 to 235, although any value in the range of 0 to 255 can be used.

The edges can then be attenuated with the settings in the ED/HD adaptive filter (Gain 1, Gain 2, and Gain 3) registers (Subaddress 0x58, Subaddress 0x59, and Subaddress 0x5A, respectively), and the ED/HD sharpness filter gain register (Subaddress 0x40).

There are two adaptive filter modes available. The mode is selected using the ED/HD adaptive filter mode control (Subaddress 0x35, Bit 6) as follows:

- Mode A is used when the ED/HD adaptive filter mode control is set to 0. In this case, Filter B (LPF) is used in the adaptive filter block. In addition, only the programmed values for Gain B in the ED/HD sharpness filter gain register and ED/HD adaptive filter (Gain 1, Gain 2, and Gain 3) registers are applied when needed. The Gain A values are fixed and cannot be changed.
- Mode B is used when ED/HD adaptive filter mode control is set to 1. In this mode, a cascade of Filter A and Filter B is used. Both settings for Gain A and Gain B in the ED/HD sharpness filter gain register and ED/HD adaptive filter (Gain 1, Gain 2, and Gain 3) registers become active when needed.

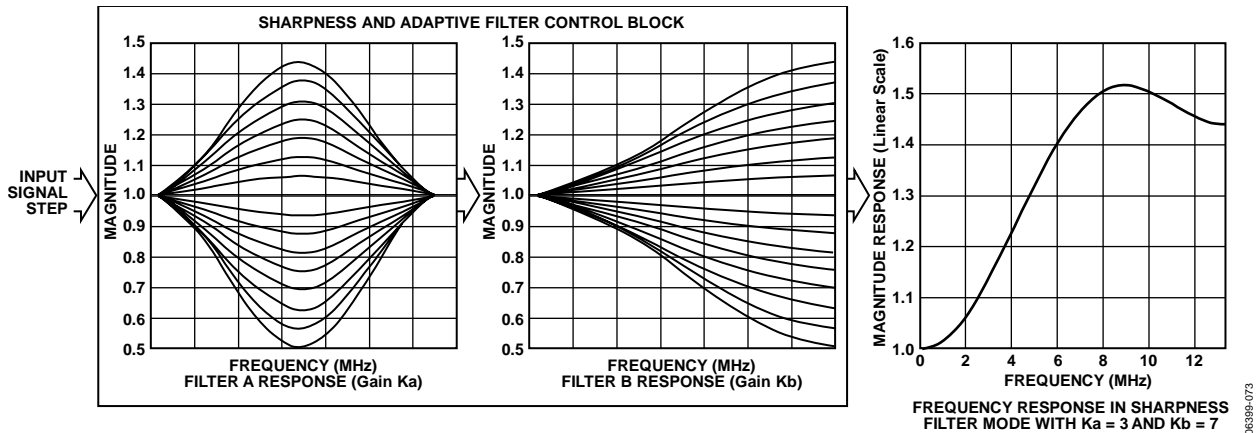


Figure 69. ED/HD Sharpness and Adaptive Filter Control Block

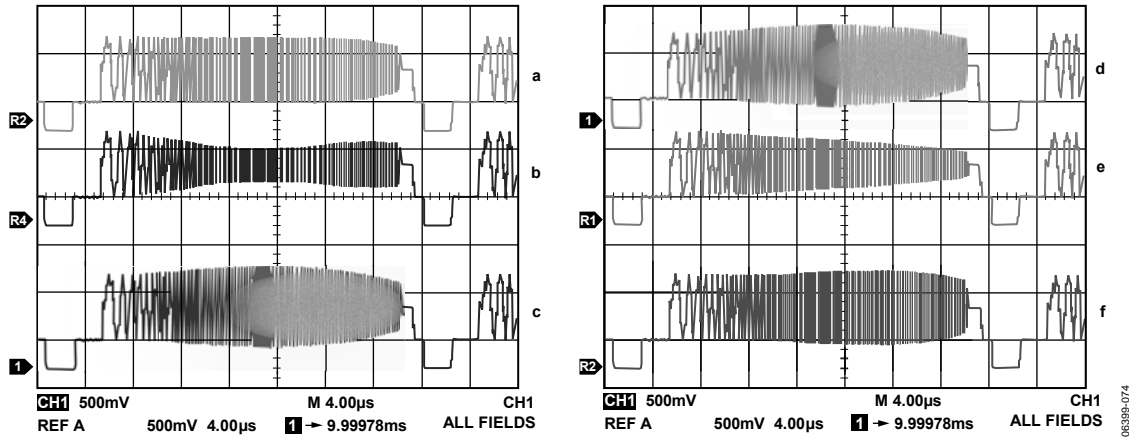


Figure 70. ED/HD Sharpness Filter Control with Different Gain Settings for ED/HD Sharpness Filter Gain Values

**ED/HD SHARPNESS FILTER AND ADAPTIVE FILTER APPLICATION EXAMPLES**

**Sharpness Filter Application**

The ED/HD sharpness filter can be used to enhance or attenuate the Y video output signal. The register settings in Table 52 are used to achieve the results shown in Figure 70. Input data was generated by an external signal source.

Table 52. ED/HD Sharpness Control Settings for Figure 70

| Subaddress | Register Setting | Reference <sup>1</sup> |
|------------|------------------|------------------------|
| 0x00       | 0xFC             |                        |
| 0x01       | 0x10             |                        |
| 0x02       | 0x20             |                        |
| 0x30       | 0x00             |                        |
| 0x31       | 0x81             |                        |
| 0x40       | 0x00             | a                      |
| 0x40       | 0x08             | b                      |
| 0x40       | 0x04             | c                      |
| 0x40       | 0x40             | d                      |
| 0x40       | 0x80             | e                      |
| 0x40       | 0x22             | f                      |

<sup>1</sup> See Figure 70.

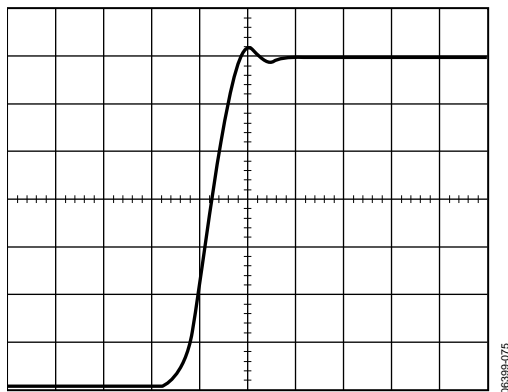


Figure 71. Input Signal to ED/HD Adaptive Filter

**Adaptive Filter Control Application**

The register settings in Table 53 are used to obtain the results shown in Figure 72, that is, to remove the ringing on the input Y signal, as shown in Figure 71. Input data is generated by an external signal source.

Table 53. Register Settings for Figure 72

| Subaddress | Register Setting |
|------------|------------------|
| 0x00       | 0xFC             |
| 0x01       | 0x38             |
| 0x02       | 0x20             |
| 0x30       | 0x00             |
| 0x31       | 0x81             |
| 0x35       | 0x80             |
| 0x40       | 0x00             |
| 0x58       | 0xAC             |
| 0x59       | 0x9A             |
| 0x5A       | 0x88             |
| 0x5B       | 0x28             |
| 0x5C       | 0x3F             |
| 0x5D       | 0x64             |

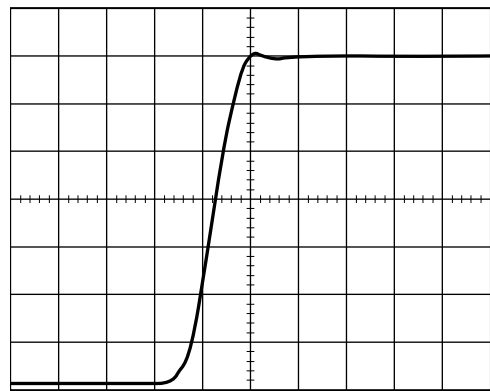


Figure 72. Output Signal from ED/HD Adaptive Filter (Mode A)



When the adaptive filter mode is changed to Mode B (Subaddress 0x35, Bit 6), the output shown in Figure 73 can be obtained.

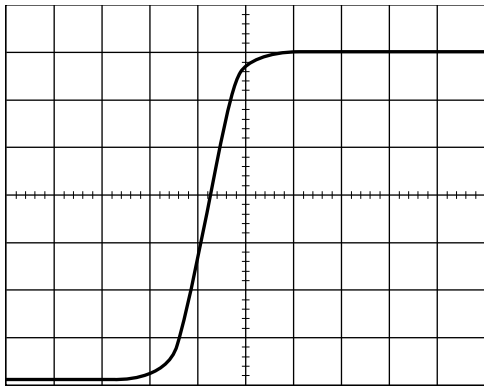


Figure 73. Output Signal from ED/HD Adaptive Filter (Mode B)

### SD DIGITAL NOISE REDUCTION

#### Subaddress 0xA3 to Subaddress 0xA5

Digital noise reduction (DNR) is applied to the Y data only. A filter block selects the high frequency, low amplitude components of the incoming signal (DNR input select). The absolute value of the filter output is compared to a programmable threshold value (DNR threshold control). There are two DNR modes available: DNR mode and DNR sharpness mode.

In DNR mode, if the absolute value of the filter output is smaller than the threshold, it is assumed to be noise. A programmable amount (coring gain border, coring gain data) of this noise signal is subtracted from the original signal. In DNR sharpness mode, if the absolute value of the filter output is less than the programmed threshold, it is assumed to be noise. Otherwise, if the level exceeds the threshold, now identified as a valid signal, a fraction of the signal (coring gain border, coring gain data) is added to the original signal to boost high frequency components and sharpen the video image.

In MPEG systems, it is common to process the video information in blocks of 8 pixels × 8 pixels for MPEG2 systems or 16 pixels × 16 pixels for MPEG1 systems (block size control). DNR can be applied to the resulting block transition areas that are known to contain noise. Generally, the block transition area contains two pixels. It is possible to define this area to contain four pixels (border area).

It is also possible to compensate for variable block positioning or differences in YCrCb pixel timing with the use of the DNR block offset.

The digital noise reduction registers are three 8-bit registers. They are used to control the DNR processing.

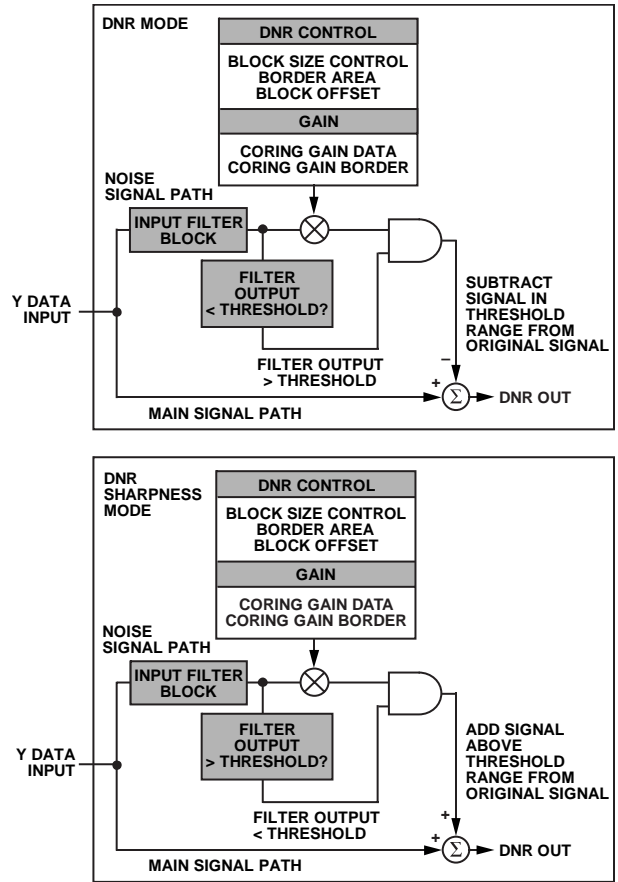


Figure 74. SD DNR Block Diagram

#### Coring Gain Border—Subaddress 0xA3, Bits[3:0]

These four bits are assigned to the gain factor applied to border areas. In DNR mode, the range of gain values is 0 to 1 in increments of 1/8. This factor is applied to the DNR filter output that lies below the set threshold range. The result is then subtracted from the original signal.

In DNR sharpness mode, the range of gain values is 0 to 0.5 in increments of 1/16. This factor is applied to the DNR filter output that lies above the threshold range. The result is added to the original signal.

#### Coring Gain Data—Subaddress 0xA3, Bits[7:4]

These four bits are assigned to the gain factor applied to the luma data inside the MPEG pixel block. In DNR mode, the range of gain values is 0 to 1 in increments of 1/8. This factor is applied to the DNR filter output that lies below the set threshold range. The result is then subtracted from the original signal.

In DNR sharpness mode, the range of gain values is 0 to 0.5 in increments of 1/16. This factor is applied to the DNR filter output that lies above the threshold range. The result is added to the original signal.

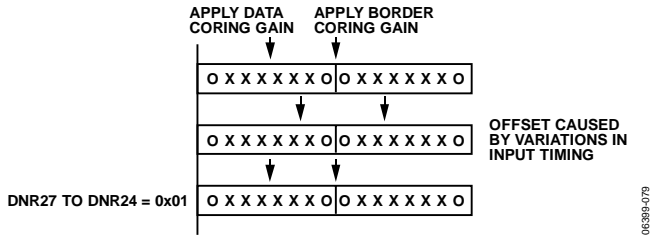


Figure 75. SD DNR Offset Control

**DNR Threshold—Subaddress 0xA4, Bits[5:0]**

These six bits are used to define the threshold value in the range of 0 to 63. The range is an absolute value.

**Border Area—Subaddress 0xA4, Bit 6**

When this bit is set to Logic 1, the block transition area can be defined to consist of four pixels. If this bit is set to Logic 0, the border transition area consists of two pixels, where one pixel refers to two clock cycles at 27 MHz.

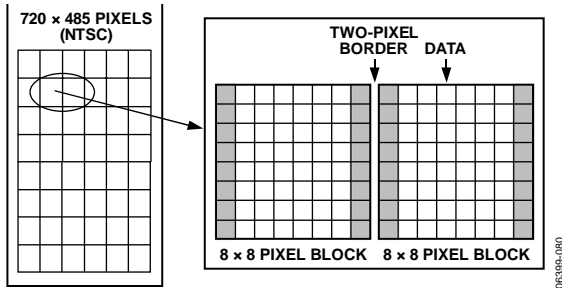


Figure 76. SD DNR Border Area

**Block Size Control—Subaddress 0xA4, Bit 7**

This bit is used to select the size of the data blocks to be processed. Setting the block size control function to Logic 1 defines a 16 pixel x 16 pixel data block, and Logic 0 defines an 8 pixel x 8 pixel data block, where one pixel refers to two clock cycles at 27 MHz.

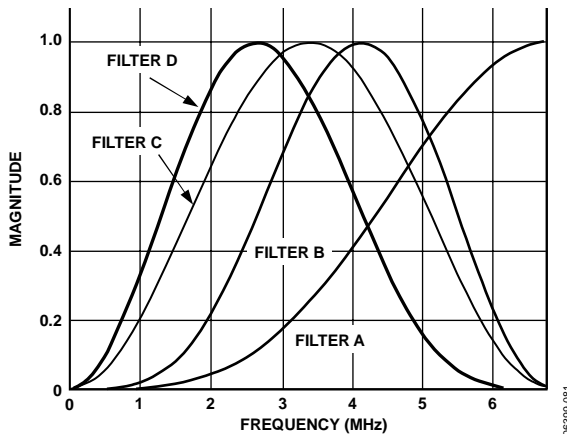


Figure 77. SD DNR Input Select

**DNR Input Select Control—Subaddress 0xA5, Bits[2:0]**

Three bits are assigned to select the filter, which is applied to the incoming Y data. The signal that lies in the pass band of the selected filter is the signal that is DNR processed. Figure 77 shows the filter responses selectable with this control.

**DNR Mode Control—Subaddress 0xA5, Bit 3**

This bit controls the DNR mode selected. Logic 0 selects DNR mode; Logic 1 selects DNR sharpness mode.

DNR works on the principle of defining low amplitude, high frequency signals as probable noise and subtracting this noise from the original signal.

In DNR mode, it is possible to subtract a fraction of the signal that lies below the set threshold, assumed to be noise, from the original signal. The threshold is set in DNR Register 1.

When DNR sharpness mode is enabled, it is possible to add a fraction of the signal that lies above the set threshold to the original signal because this data is assumed to be valid data and not noise. The overall effect is that the signal is boosted (similar to using the extended SSAF filter).

**DNR Block Offset Control—Subaddress 0xA5, Bits[7:4]**

Four bits are assigned to this control, which allows a shift of the data block of 15 pixels maximum. Consider the coring gain positions fixed. The block offset shifts the data in steps of one pixel such that the border coring gain factors can be applied at the same position regardless of variations in input timing of the data.

**SD ACTIVE VIDEO EDGE CONTROL**

**Subaddress 0x82, Bit 7**

The ADV7342/ADV7343 are able to control fast rising and falling signals at the start and end of active video in order to minimize ringing.

When the active video edge control feature is enabled (Subaddress 0x82, Bit 7 = 1), the first three pixels and the last three pixels of the active video on the luma channel are scaled so that maximum transitions on these pixels are not possible.

At the start of active video, the first three pixels are multiplied by 1/8, 1/2, and 7/8, respectively. Approaching the end of active video, the last three pixels are multiplied by 7/8, 1/2, and 1/8, respectively. All other active video pixels pass through unprocessed.

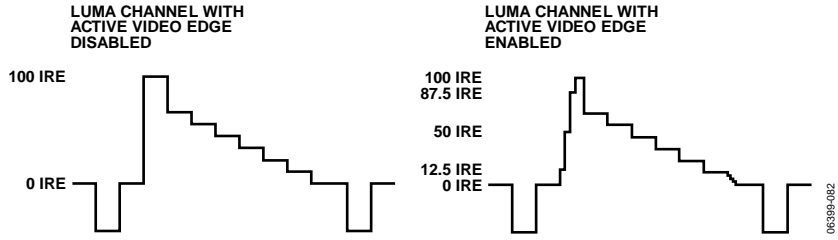


Figure 78. Example of Active Video Edge Functionality

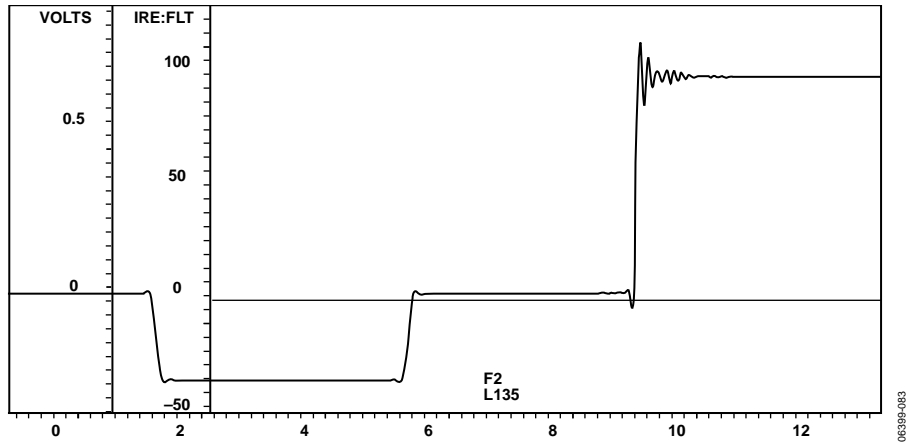


Figure 79. Example of Video Output with Subaddress 0x82, Bit 7 = 0

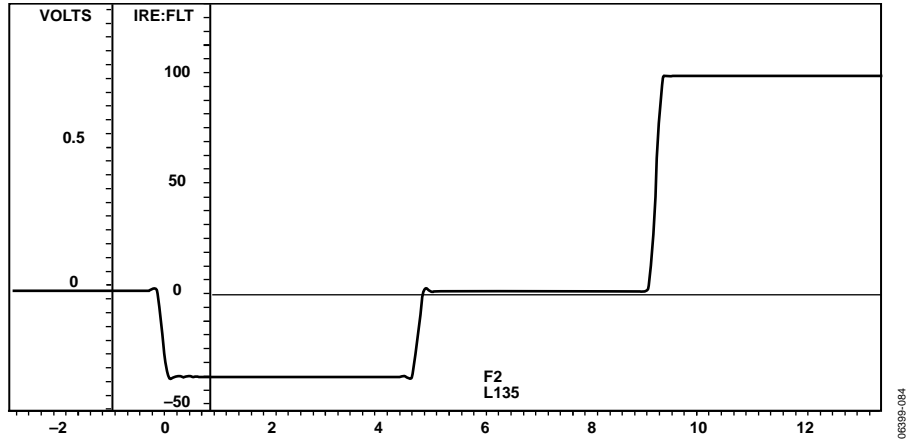


Figure 80. Example of Video Output with Subaddress 0x82, Bit 7 = 1

**EXTERNAL HORIZONTAL AND VERTICAL SYNCHRONIZATION CONTROL**

For timing synchronization purposes, the ADV7342/ADV7343 are able to accept either EAV/SAV time codes embedded in the input pixel data or external synchronization signals provided on the  $\overline{S\_HSYNC}$ ,  $\overline{S\_VSYNC}$ ,  $\overline{P\_HSYNC}$ ,  $\overline{P\_VSYNC}$ , and  $\overline{P\_BLANK}$  pins (see Table 54). It is also possible to output synchronization signals on the  $\overline{S\_HSYNC}$  and  $\overline{S\_VSYNC}$  pins (see Table 55 to Table 57).

**Table 54. Timing Synchronization Signal Input Options**

| Signal                             | Pin                   | Condition  |
|------------------------------------|-----------------------|--|
| SD $\overline{HSYNC}$ In           | $\overline{S\_HSYNC}$ | SD slave timing mode (1, 2, or 3) selected (Subaddress 0x8A[2:0]) <sup>1</sup> |
| SD $\overline{VSYNC}$ /FIELD In    | $\overline{S\_VSYNC}$ | SD slave timing mode (1, 2, or 3) selected (Subaddress 0x8A[2:0]) <sup>1</sup> |
| ED/HD $\overline{HSYNC}$ In        | $\overline{P\_HSYNC}$ | ED/HD timing synchronization inputs enabled (Subaddress 0x30, Bit 2 = 0)       |
| ED/HD $\overline{VSYNC}$ /FIELD In | $\overline{P\_VSYNC}$ | ED/HD timing synchronization inputs enabled (Subaddress 0x30, Bit 2 = 0)       |
| ED/HD $\overline{BLANK}$ In        | $\overline{P\_BLANK}$ |  |

<sup>1</sup> SD and ED/HD timing synchronization outputs must also be disabled (Subaddress 0x02[7:6] = 00).

**Table 55. Timing Synchronization Signal Output Options**

| Signal                              | Pin                   | Condition   |
|-------------------------------------|-----------------------|---|
| SD $\overline{HSYNC}$ Out           | $\overline{S\_HSYNC}$ | SD timing synchronization outputs enabled (Subaddress 0x02, Bit 6 = 1) <sup>1</sup> |
| SD $\overline{VSYNC}$ /FIELD Out    | $\overline{S\_VSYNC}$ | SD timing synchronization outputs enabled (Subaddress 0x02, Bit 6 = 1) <sup>1</sup> |
| ED/HD $\overline{HSYNC}$ Out        | $\overline{S\_HSYNC}$ | ED/HD timing synchronization outputs enabled (Subaddress 0x02, Bit 7 = 1)           |
| ED/HD $\overline{VSYNC}$ /FIELD Out | $\overline{S\_VSYNC}$ | ED/HD timing synchronization outputs enabled (Subaddress 0x02, Bit 7 = 1)           |

<sup>1</sup> ED/HD timing synchronization outputs must also be disabled (Subaddress 0x02, Bit 7 = 0).

**Table 56.  $\overline{S\_HSYNC}$  Output Control<sup>1,2</sup>**

| ED/HD Input Sync Format (Subaddress 0x30, Bit 2) | ED/HD $\overline{HSYNC}$ Control (Subaddress 0x34, Bit 1) | ED/HD Sync Output Enable (Subaddress 0x02, Bit 7) | SD Sync Output Enable (Subaddress 0x02, Bit 6) | Signal on $\overline{S\_HSYNC}$ Pin                            | Duration                              |
|--|---|---|--|--|---------------------------------------|
| X  | X   | 0   | 0  | Tristate   | N/A                                   |
| X  | X   | 0   | 1  | Pipelined SD $\overline{HSYNC}$                                | See the SD Timing section.            |
| 0  | 0   | 1   | X  | Pipelined ED/HD $\overline{HSYNC}$                             | As per $\overline{HSYNC}$ timing.     |
| 1  | 0   | 1   | X  | Pipelined ED/HD $\overline{HSYNC}$ based on AV Code H bit      | Same as line blanking interval.       |
| X  | 1   | 1   | X  | Pipelined ED/HD $\overline{HSYNC}$ based on horizontal counter | Same as embedded $\overline{HSYNC}$ . |

<sup>1</sup> In all ED/HD standards where there is an  $\overline{HSYNC}$  output, the start of the  $\overline{HSYNC}$  pulse is aligned with the falling edge of the embedded  $\overline{HSYNC}$  in the output video.

<sup>2</sup> X = don't care.

Table 57.  $\overline{S\_VSYNC}$  Output Control<sup>1,2</sup>

| ED/HD Input Sync Format (Subaddress 0x30, Bit 2) | ED/HD $\overline{VSYNC}$ Control (Subaddress 0x34, Bit 2) | ED/HD Sync Output Enable (Subaddress 0x02, Bit 7) | SD Sync Output Enable (Subaddress 0x02, Bit 6) | Video Standard                  | Signal on $\overline{S\_VSYNC}$ Pin                              | Duration   |
|--|---|---|--|---------------------------------|--|--|
| X  | X   | 0   | 0  | X                               | Tristate   | N/A  |
| X  | X   | 0   | 1  | Interlaced                      | Pipelined SD $\overline{VSYNC}$ /field                           | See the SD Timing section                        |
| 0  | 0   | 1   | x  | X                               | Pipelined ED/HD $\overline{VSYNC}$ or field signal               | As per $\overline{VSYNC}$ or field signal timing |
| 1  | 0   | 1   | X  | All HD interlaced standards     | Pipelined field signal based on AV Code F bit                    | Field  |
| 1  | 0   | 1   | X  | All ED/HD progressive standards | Pipelined $\overline{VSYNC}$ based on AV Code V bit              | Vertical blanking interval                       |
| X  | 1   | 1   | X  | All ED/HD standards except 525p | Pipelined ED/HD $\overline{VSYNC}$ based on the vertical counter | Aligned with serration lines                     |
| X  | 1   | 1   | X  | 525p                            | Pipelined ED/HD $\overline{VSYNC}$ based on the vertical counter | Vertical blanking interval                       |

<sup>1</sup> In all ED/HD standards where there is a  $\overline{VSYNC}$  output, the start of the  $\overline{VSYNC}$  pulse is aligned with the falling edge of the embedded  $\overline{VSYNC}$  in the output video.

<sup>2</sup> X = don't care.

## LOW POWER MODE

### Subaddress 0x0D, Bits[2:0]

For power-sensitive applications, the [ADV7342/ADV7343](#) support an Analog Devices proprietary low power mode of operation on DAC 1, DAC 2, and DAC 3. To use this low power mode, these DACs must be operating in full-drive mode ( $R_{SET1} = 510 \Omega$ ,  $R_L = 37.5 \Omega$ ). Low power mode is not available in low-drive mode ( $R_{SET} = 4.12 \text{ k}\Omega$ ,  $R_L = 300 \Omega$ ). Low power mode can be independently enabled or disabled on DAC 1, DAC 2, and DAC 3 using Subaddress 0x0D, Bits[2:0]. Low power mode is disabled by default on each DAC.

In low power mode, DAC current consumption is content dependent. On a typical video stream, it can be reduced by as much as 40%. For applications requiring the highest possible video performance, low power mode should be disabled.

## CABLE DETECTION

### Subaddress 0x10

The [ADV7342/ADV7343](#) include an Analog Devices proprietary cable detection feature. The cable detection feature is available on DAC 1 and DAC 2, while operating in full-drive mode ( $R_{SET1} = 510 \Omega$ ,  $R_L = 37.5 \Omega$ , assuming a connected cable). The feature is not available in low-drive mode ( $R_{SET1} = 4.12 \text{ k}\Omega$ ,  $R_L = 300 \Omega$ ). For a DAC to be monitored, the DAC must be powered up in Subaddress 0x00.

The cable detection feature can be used with all SD, ED, and HD video standards. It is available for all output configurations, that is, CVBS, YC, YPrPb, and RGB output configurations.

For CVBS/YC output configurations, both DAC 1 and DAC 2 are monitored; that is, the CVBS and YC luma outputs are monitored. For YPrPb and RGB output configurations, only

DAC 1 is monitored; that is, the luma or green output is monitored.

Once per frame, the [ADV7342/ADV7343](#) monitor DAC 1 and/or DAC 2, updating Subaddress 0x10, Bit 0 and Bit 1, respectively. If a cable is detected on one of the DACs, the relevant bit is set to 0. If not, the bit is set to 1.

## DAC AUTOPOWER-DOWN

### Subaddress 0x10, Bit 4

For power-sensitive applications, a DAC autpower-down feature can be enabled using Subaddress 0x10, Bit 4. This feature is available only when the cable detection feature is enabled.

With this feature enabled, the cable detection circuitry monitors DAC 1 and/or DAC 2 once per frame. If they are unconnected, some or all of the DACs automatically power down. Which DAC or DACs are powered down depends on the selected output configuration.

For CVBS/YC output configurations, if DAC 1 is unconnected, only DAC 1 powers down. If DAC 2 is unconnected, DAC 2 and DAC 3 power down.

For YPrPb and RGB output configurations, if DAC 1 is unconnected, all three DACs power down. DAC 2 is not monitored for YPrPb and RGB output configurations.

Once per frame, DAC 1 and/or DAC 2 is monitored. If a cable is detected, the appropriate DAC or DACs remain powered up for the duration of the frame. If no cable is detected, the appropriate DAC or DACs power down until the next frame, when the process is repeated.

**SLEEP MODE**

**Subaddress 0x00, Bit 0**

In sleep mode, most of the digital I/O pins of the [ADV7342/ADV7343](#) are disabled. For inputs, this means that the external data is ignored, and internally the logic normally driven by a given input is just tied low or high. This includes CLKINx.

For digital output pins, this means that the pin goes into tristate (high impedance) mode.

There are some exceptions to allow the user to continue to communicate with the part via I<sup>2</sup>C: the ALSB, SDA, and SCL pins are kept alive.

**PIXEL AND CONTROL PORT READBACK**

**Subaddress 0x12 to Subaddress 0x14, Subaddress 0x16**

The [ADV7342/ADV7343](#) support the readback of most digital inputs via the I<sup>2</sup>C MPU port. This feature is useful for board level connectivity testing with upstream devices.

The pixel port (S[7:0], Y[7:0], and C[7:0]), the control port (S\_HSYNC, S\_VSYNC, P\_HSYNC, P\_VSYNC, and P\_BLANK), and the SFL pin are available for readback via the MPU port. The readback registers are located at Subaddress 0x12 to Subaddress 0x14 and Subaddress 0x16.

When using this feature, apply a clock signal to the CLKIN\_A pin to register the levels applied to the input pins.

**RESET MECHANISM**

**Subaddress 0x17, Bit 1**

The [ADV7342/ADV7343](#) have a software reset accessible via the I<sup>2</sup>C MPU port. A software reset is activated by writing a 1 to Subaddress 0x17, Bit 1. This resets all registers to their default values. This bit is self-clearing; that is, after a 1 has been written to the bit, the bit automatically returns to 0.

The [ADV7342/ADV7343](#) include a power-on reset (POR) circuit to ensure correct operation after power-up.

**SD TELETEXT INSERTION**

**Subaddress 0xC9 to Subaddress 0xCE**

The [ADV7342/ADV7343](#) support the insertion of teletext data, using a 2-pin interface, when operating in PAL mode. Teletext insertion is enabled using Subaddress 0xC9, Bit 0.

In accordance with the PAL WST teletext standard, teletext data should be inserted into the [ADV7342/ADV7343](#) at a rate of 6.9375 Mbps. The teletext data can be inserted on the S\_VSYNC, P\_VSYNC, or C0 pin. The pin on which the teletext data is inserted is selected using Subaddress 0xC9, Bits [3:2].

When teletext insertion is enabled, a teletext request signal is output from the [ADV7342/ADV7343](#) to indicate when teletext data should be inserted. The teletext request signal is output on the SFL pin. The position (relative to the teletext data) and width of the request signal are configurable using Subaddress 0xCA. The request signal can operate in either a line or a bit mode. The request signal mode is controlled using Subaddress 0xC9, Bit 1.

To account for the noninteger relationship between the teletext insertion rate (6.9375 Mbps) and the pixel clock (27 MHz), a teletext insertion protocol is implemented in the [ADV7342/ADV7343](#). At a rate of 6.9375 Mbps, the time taken for the insertion of 37 teletext bits equates to 144 pixel clock cycles (at 27 MHz). For every 37 teletext bits inserted into the [ADV7342/ADV7343](#), the 10<sup>th</sup>, 19<sup>th</sup>, 28<sup>th</sup>, and 37<sup>th</sup> bits are carried for three pixel clock cycles, and the remainder are carried for four pixel clock cycles (totaling 144 pixel clock cycles). The teletext insertion protocol repeats every 37 teletext bits or 144 pixel clock cycles until all 360 teletext bits are inserted.

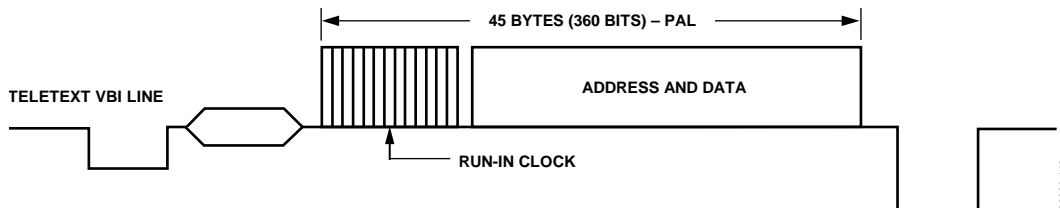
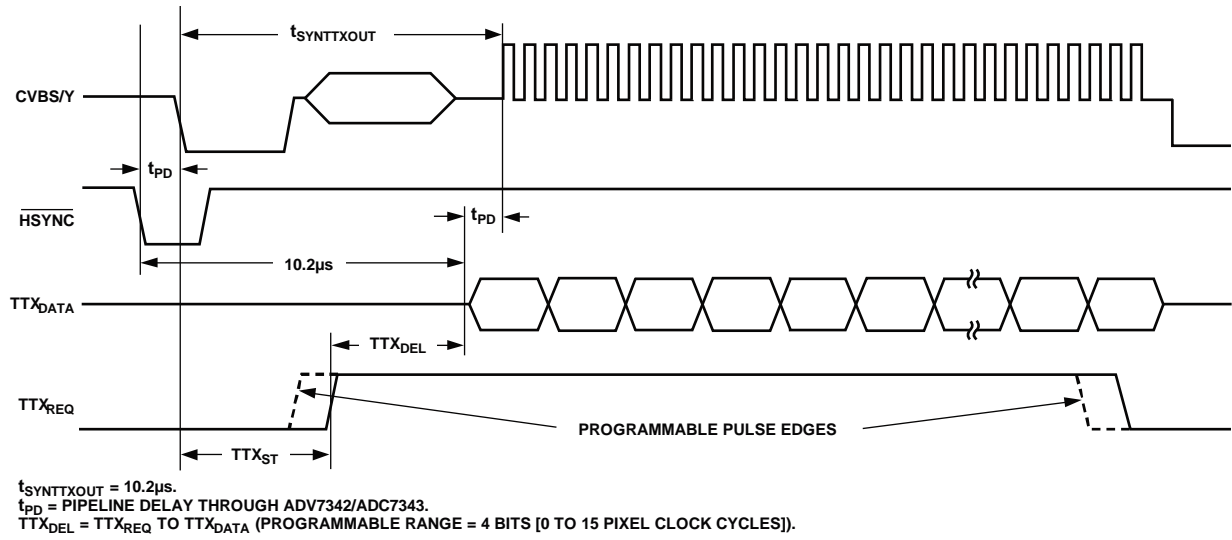


Figure 81. Teletext VBI Line

06399-143



06389b144

Figure 82. Teletext Functionality Diagram

## PRINTED CIRCUIT BOARD LAYOUT AND DESIGN

### UNUSED PINS

If the  $\overline{S\_HSYNC}$ ,  $\overline{S\_VSYNC}$ ,  $\overline{P\_HSYNC}$ , and  $\overline{P\_VSYNC}$  pins are not used, they should be tied to  $V_{DD\_IO}$  through a pull-up resistor (10 k $\Omega$  or 4.7 k $\Omega$ ). Any other unused digital inputs should be tied to ground. Unused digital output pins should be left floating. DAC outputs can be either left floating or connected to GND. Disabling these outputs is recommended.

### DAC CONFIGURATIONS

The ADV7342/ADV7343 contain six DACs. All six DACs can be configured to operate in low-drive mode. Low-drive mode is defined as 4.33 mA full-scale current into a 300  $\Omega$  load,  $R_L$ .

DAC 1, DAC 2, and DAC 3 can also be configured to operate in full-drive mode. Full-drive mode is defined as 34.7 mA full-scale current into a 37.5  $\Omega$  load,  $R_L$ . Full-drive is the recommended mode of operation for DAC 1, DAC 2, and DAC 3.

The ADV7342/ADV7343 contain two  $R_{SET}$  pins. A resistor connected between the  $R_{SET1}$  pin and AGND is used to control the full-scale output current and, therefore, the DAC output voltage levels of DAC 1, DAC 2, and DAC 3. For low-drive operation,  $R_{SET1}$  must have a value of 4.12 k $\Omega$ , and  $R_L$  must have a value of 300  $\Omega$ . For full-drive operation,  $R_{SET1}$  must have a value of 510  $\Omega$ , and  $R_L$  must have a value of 37.5  $\Omega$ .

A resistor connected between the  $R_{SET2}$  pin and AGND is used to control the full-scale output current and, therefore, the DAC output voltage levels of DAC 4, DAC 5, and DAC 6.  $R_{SET2}$  must have a value of 4.12 k $\Omega$ , and  $R_L$  must have a value of 300  $\Omega$  (that is, low-drive operation only).

The resistors connected to the  $R_{SET1}$  and  $R_{SET2}$  pins should have a 1% tolerance.

The ADV7342/ADV7343 contain two compensation pins, COMP1 and COMP2. A 2.2 nF compensation capacitor should be connected from each of these pins to  $V_{AA}$ .

### VOLTAGE REFERENCE

The ADV7342/ADV7343 contain an on-chip voltage reference that can be used as a board-level voltage reference via the  $V_{REF}$  pin. Alternatively, the ADV7342/ADV7343 can be used with an external voltage reference by connecting the reference source to the  $V_{REF}$  pin. For optimal performance, use an external voltage reference such as the AD1580 with the ADV7342/ADV7343. If an external voltage reference is not used, a 0.1  $\mu$ F capacitor should be connected from the  $V_{REF}$  pin to  $V_{AA}$ .

### VIDEO OUTPUT BUFFER AND OPTIONAL OUTPUT FILTER

An output buffer is necessary on any DAC that operates in low-drive mode ( $R_{SETx} = 4.12$  k $\Omega$ ,  $R_L = 300$   $\Omega$ ). Analog Devices produces a range of op amps suitable for this application, for example, the AD8061. For more information about line driver buffering circuits, see the relevant op amp data sheet.

An optional reconstruction (anti-imaging) low-pass filter (LPF) may be required on the ADV7342/ADV7343 DAC outputs if the ADV7342/ADV7343 are connected to a device that requires this filtering.

The filter specifications vary with the application. The use of 16 $\times$  (SD), 8 $\times$  (ED), or 4 $\times$  (HD) oversampling can remove the requirement for a reconstruction filter altogether.

For applications requiring an output buffer and reconstruction filter, the ADA4430-1, ADA4411-3, and ADA4410-6 integrated video filter buffers should be considered.

Table 58. ADV7342/ADV7343 Output Rates

| Input Mode (Subaddress 0x01, Bits[6:4]) | PLL Control (Subaddress 0x00, Bit 1) | Output Rate (MHz) |            |
|---|--------------------------------------|-------------------|------------|
|   |                                      | Rate              | Multiplier |
| SD Only                                 | Off                                  | 27                | (2x)       |
|   | On                                   | 216               | (16x)      |
| ED Only                                 | Off                                  | 27                | (1x)       |
|   | On                                   | 216               | (8x)       |
| HD Only                                 | Off                                  | 74.25             | (1x)       |
|   | On                                   | 297               | (4x)       |

Table 59. Output Filter Requirements

| Application | Oversampling | Cutoff Frequency (MHz) | Attenuation -50 dB at (MHz) |
|-------------|--------------|------------------------|-----------------------------|
| SD          | 2 $\times$   | >6.5                   | 20.5                        |
| SD          | 16 $\times$  | >6.5                   | 209.5                       |
| ED          | 1 $\times$   | >12.5                  | 14.5                        |
| ED          | 8 $\times$   | >12.5                  | 203.5                       |
| HD          | 1 $\times$   | >30                    | 44.25                       |
| HD          | 4 $\times$   | >30                    | 267                         |

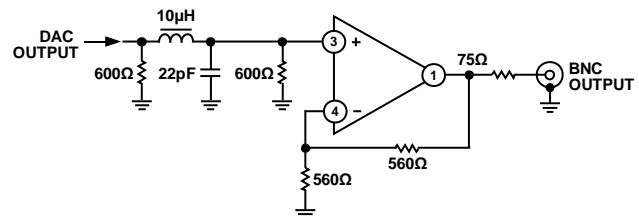


Figure 83. Example of Output Filter for SD, 16 $\times$  Oversampling

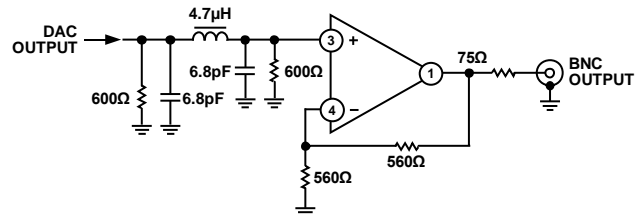


Figure 84. Example of Output Filter for ED, 8 $\times$  Oversampling



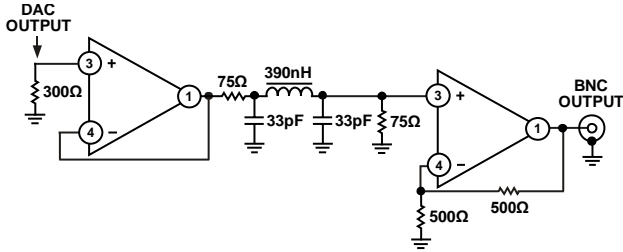


Figure 85. Example of Output Filter for HD, 4x Oversampling

06399-087

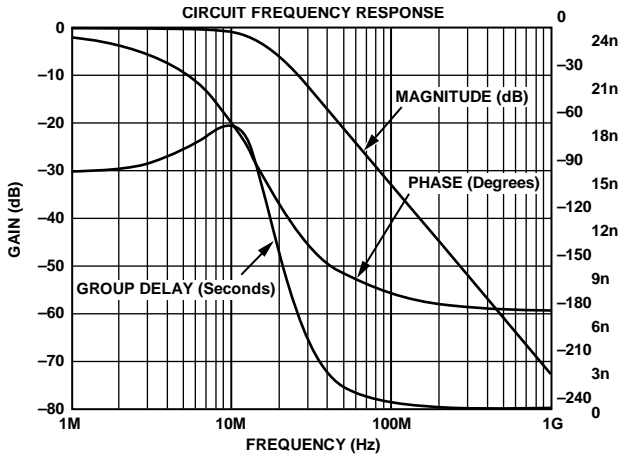


Figure 86. Output Filter Plot for SD, 16x Oversampling

06399-088

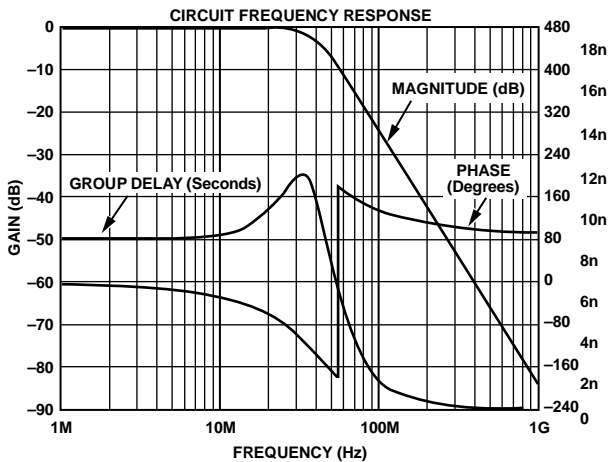


Figure 87. Output Filter Plot for ED, 8x Oversampling

06399-089

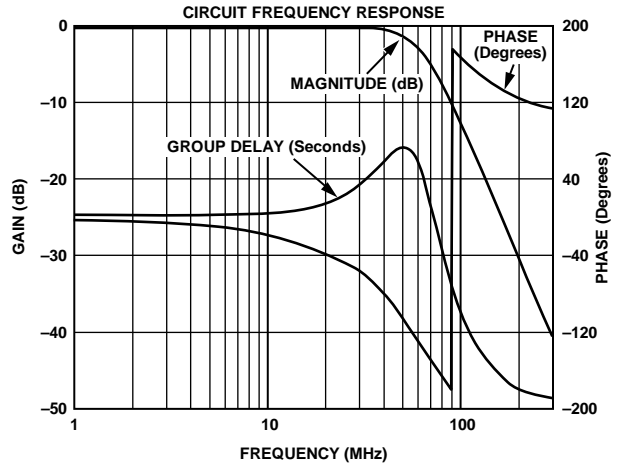


Figure 88. Output Filter Plot for HD, 4x Oversampling

06399-090

### PRINTED CIRCUIT BOARD (PCB) LAYOUT

The [ADV7342/ADV7343](#) are highly integrated circuits containing both precision analog and high speed digital circuitry. They are designed to minimize interference effects on the integrity of the analog circuitry by the high speed digital circuitry. It is imperative that these same design and layout techniques be applied to the system-level design so that optimal performance is achieved.

The layout should be optimized for lowest noise on the [ADV7342/ADV7343](#) power and ground planes by shielding the digital inputs and providing good power supply decoupling.

It is recommended to use a 4-layer printed circuit board with ground and power planes separating the signal trace layer and the solder side layer.

#### Component Placement

Component placement should be carefully considered to separate noisy circuits, such as clock signals and high speed digital circuitry, from analog circuitry.

The external loop filter components and components connected to the COMP,  $V_{REF}$ , and  $R_{SETX}$  pins should be placed as close as possible to and on the same side of the PCB as the [ADV7342/ADV7343](#). Adding vias to the PCB to get the components closer to the [ADV7342/ADV7343](#) is not recommended.

It is recommended that the [ADV7342/ADV7343](#) be placed as close as possible to the output connector, with the DAC output traces as short as possible.

The termination resistors on the DAC output traces should be placed as close as possible to and on the same side of the PCB as the [ADV7342/ADV7343](#). The termination resistors should overlay the PCB ground plane.

External filter and buffer components connected to the DAC outputs should be placed as close as possible to the [ADV7342/ADV7343](#) to minimize the possibility of noise pickup from neighboring circuitry and to minimize the effect of trace capacitance on output bandwidth. This is particularly important when operating in low-drive mode ( $R_{SETx} = 4.12 \text{ k}\Omega$ ,  $R_L = 300 \text{ }\Omega$ ).

### **Power Supplies**

It is recommended that a separate regulated supply be provided for each power domain ( $V_{AA}$ ,  $V_{DD}$ ,  $V_{DD\_IO}$ , and  $PV_{DD}$ ). For optimal performance, linear regulators rather than switch mode regulators should be used. If switch mode regulators must be used, care must be taken with regard to the quality of the output voltage in terms of ripple and noise. This is particularly true for the  $V_{AA}$  and  $PV_{DD}$  power domains. Each power supply should be individually connected to the system power supply at a single point through a suitable filtering device, such as a ferrite bead.

### **Power Supply Decoupling**

It is recommended that each power supply pin be decoupled with 10 nF and 0.1  $\mu\text{F}$  ceramic capacitors. The  $V_{AA}$ ,  $PV_{DD}$ ,  $V_{DD\_IO}$ , and both  $V_{DD}$  pins should be individually decoupled to ground. The decoupling capacitors should be placed as close as possible to the [ADV7342/ADV7343](#) with the capacitor leads kept as short as possible to minimize lead inductance.

A 1  $\mu\text{F}$  tantalum capacitor is recommended across the  $V_{AA}$  supply in addition to the 10 nF and 0.1  $\mu\text{F}$  ceramic capacitors.

### **Power Supply Sequencing**

If the ALSB pin is tied low, a power supply sequence is required for proper operation of the part. The  $V_{DD\_IO}$  power supply must

be established a minimum of 250  $\mu\text{s}$  prior to the  $V_{DD}$  power supply being established. The  $V_{AA}$  and  $PV_{DD}$  power supplies can be established at any time and in any order. Tying ALSB to  $V_{DD\_IO}$  completely removes this PSS requirement.

### **Digital Signal Interconnect**

The digital signal traces should be isolated as much as possible from the analog outputs and other analog circuitry. Digital signal traces should not overlay the  $V_{AA}$  or  $PV_{DD}$  power plane.

Due to the high clock rates used, avoid long clock traces to the [ADV7342/ADV7343](#) to minimize noise pickup.

Any pull-up termination resistors for the digital inputs should be connected to the  $V_{DD\_IO}$  power supply.

Any unused digital inputs should be tied to ground.

### **Analog Signal Interconnect**

DAC output traces should be treated as transmission lines with appropriate measures taken to ensure optimal performance (for example, impedance matched traces). The DAC output traces should be kept as short as possible. The termination resistors on the DAC output traces should be placed as close as possible to, and on the same side of the PCB as, the [ADV7342/ADV7343](#).

To avoid crosstalk between the DAC outputs, it is recommended that as much space as possible be left between the traces connected to the DAC output pins. Adding ground traces between the DAC output traces is also recommended.

TYPICAL APPLICATION CIRCUIT

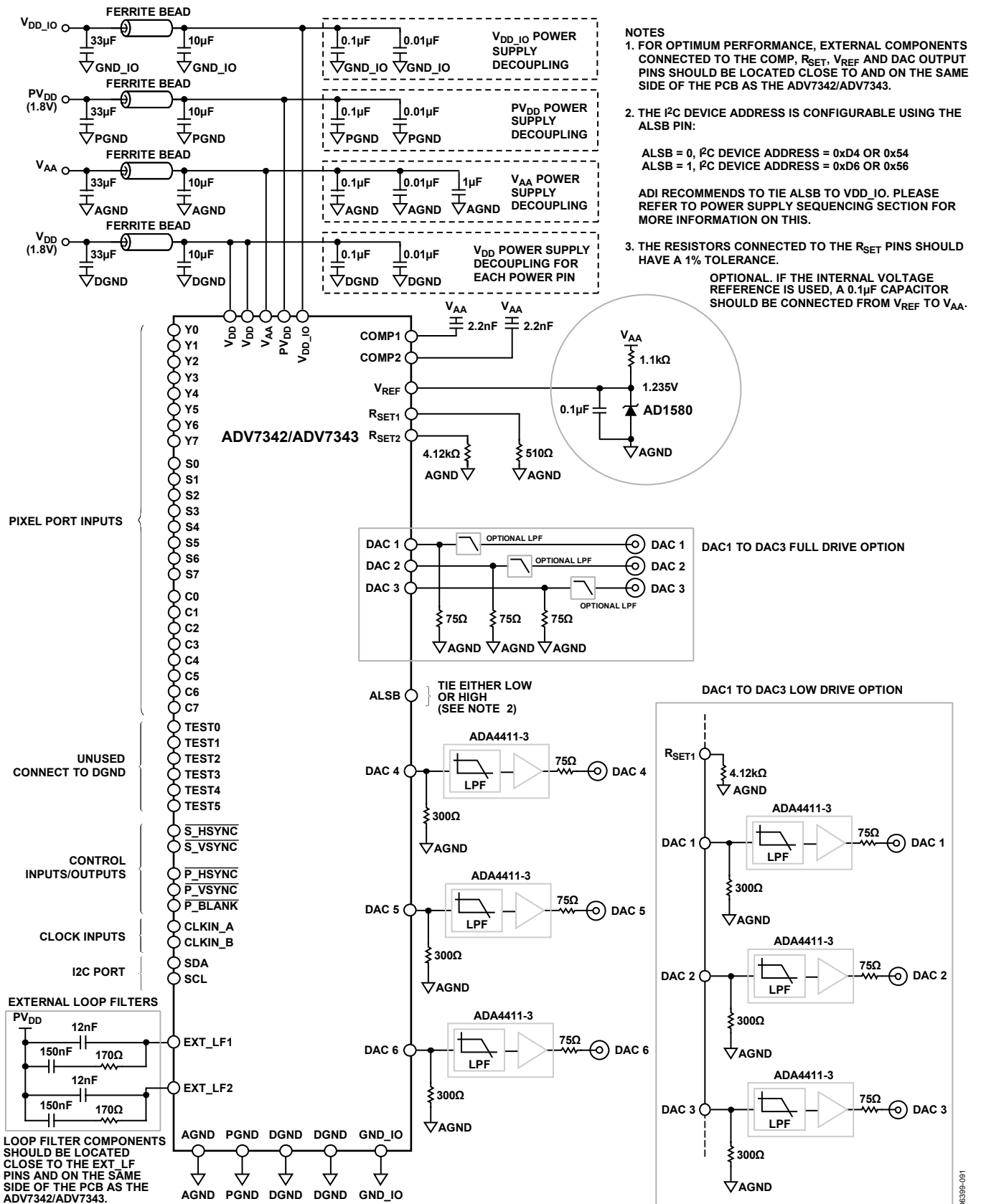


Figure 89. ADV7342/ADV7343 Typical Application Circuit

## COPY GENERATION MANAGEMENT SYSTEM

### SD CGMS

#### **Subaddress 0x99 to Subaddress 0x9B**

The [ADV7342/ADV7343](#) support a copy generation management system (CGMS) conforming to the EIAJ CPR-1204 and ARIB TR-B15 standards. CGMS data is transmitted on Line 20 of odd fields and Line 283 of even fields. Subaddress 0x99, Bits[6:5] control whether CGMS data is output on odd or even fields or both.

SD CGMS data can be transmitted only when the [ADV7342/ADV7343](#) are configured in NTSC mode. The CGMS data is 20 bits long. The CGMS data is preceded by a reference pulse of the same amplitude and duration as a CGMS bit (see Figure 90).

### ED CGMS

#### **Subaddress 0x41 to Subaddress 0x43; Subaddress 0x5E to Subaddress 0x6E**

##### 525p Mode

The [ADV7342/ADV7343](#) support a copy generation management system (CGMS) in 525p mode in accordance with EIAJ CPR-1204-1.

When ED CGMS is enabled (Subaddress 0x32, Bit 6 = 1), 525p CGMS data is inserted on Line 41 and the 525p CGMS data registers are at Subaddress 0x41, Subaddress 0x42, and Subaddress 0x43. The [ADV7342/ADV7343](#) also support CGMS Type B packets in 525p mode in accordance with CEA-805-A.

When ED CGMS Type B is enabled (Subaddress 0x5E, Bit 0 = 1), 525p CGMS Type B data is inserted on Line 40. The 525p CGMS Type B data registers are at Subaddress 0x5E to Subaddress 0x6E.

##### 625p Mode

The [ADV7342/ADV7343](#) support a copy generation management system (CGMS) in 625p mode in accordance with IEC62375 (2004).

When ED CGMS is enabled (Subaddress 0x32, Bit 6 = 1), 625p CGMS data is inserted on Line 43. The 625p CGMS data registers are at Subaddress 0x42 and Subaddress 0x43.

### HD CGMS

#### **Subaddress 0x41 to Subaddress 0x43; Subaddress 0x5E to Subaddress 0x6E**

The [ADV7342/ADV7343](#) support a copy generation management system (CGMS) in HD mode (720p and 1080i) in accordance with EIAJ CPR-1204-2.

When HD CGMS is enabled (Subaddress 0x32, Bit 6 = 1), 720p CGMS data is applied to Line 24 of the luminance vertical blanking interval.

When HD CGMS is enabled (Subaddress 0x32, Bit 6 = 1), 1080i CGMS data is applied to Line 19 and Line 582 of the luminance vertical blanking interval.

The HD CGMS data registers are at Subaddress 0x41, Subaddress 0x42, and Subaddress 0x43.

The [ADV7342/ADV7343](#) also support CGMS Type B packets in HD mode (720p and 1080i) in accordance with CEA-805-A.

When HD CGMS Type B is enabled (Subaddress 0x5E, Bit 0 = 1), 720p CGMS data is applied to Line 23 of the luminance vertical blanking interval.

When HD CGMS Type B is enabled (Subaddress 0x5E, Bit 0 = 1), 1080i CGMS data is applied to Line 18 and Line 581 of the luminance vertical blanking interval.

The HD CGMS Type B data registers are at Subaddress 0x5E to Subaddress 0x6E.

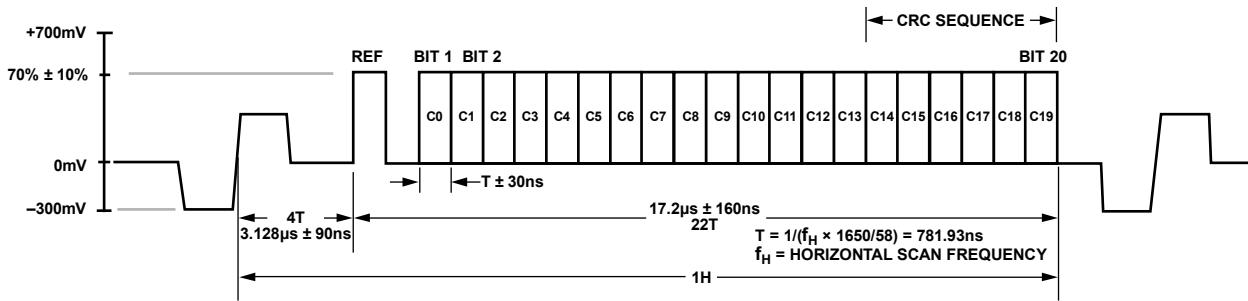
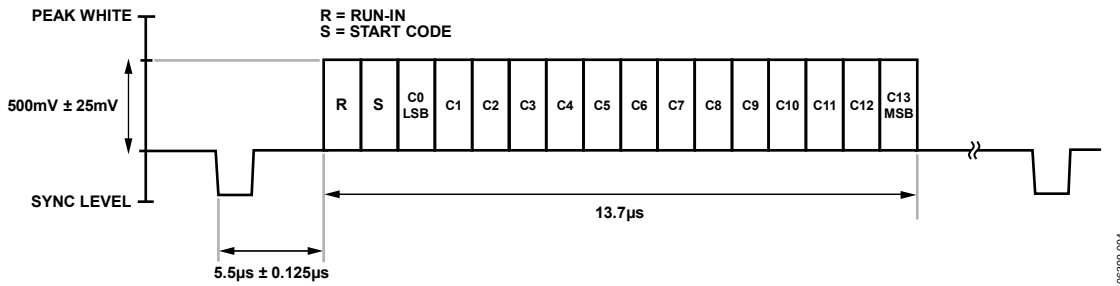
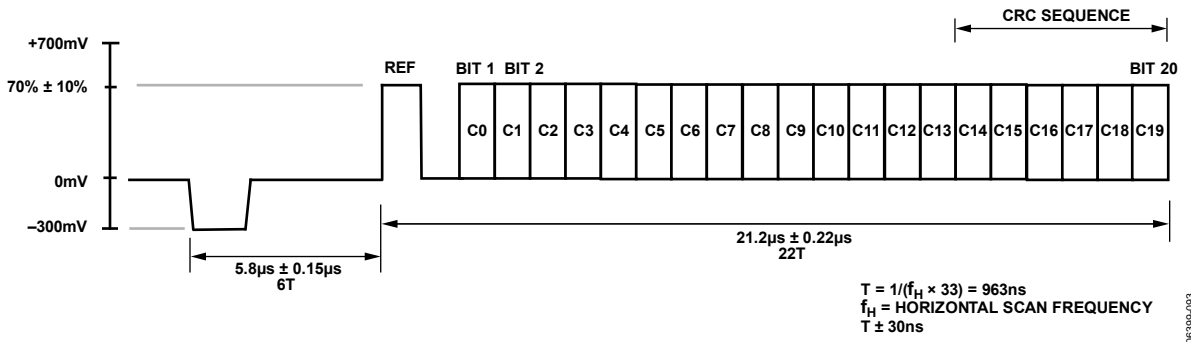
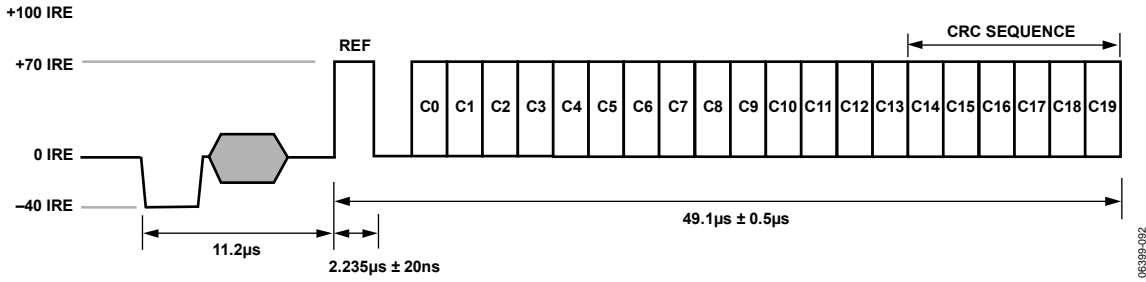
### CGMS CRC FUNCTIONALITY

If SD CGMS CRC (Subaddress 0x99, Bit 4) or ED/HD CGMS CRC (Subaddress 0x32, Bit 7) is enabled, the upper six CGMS data bits, C19 to C14, which comprise the 6-bit CRC check sequence, are automatically calculated on the [ADV7342/ADV7343](#). This calculation is based on the lower 14 bits (C13 to C0) of the data in the CGMS data registers, and the result is output with the remaining 14 bits to form the complete 20 bits of the CGMS data. The calculation of the CRC sequence is based on the polynomial  $x^6 + x + 1$  with a preset value of 111111.

If SD CGMS CRC or ED/HD CGMS CRC are disabled, all 20 bits (C19 to C0) are output directly from the CGMS registers (CRC must be calculated by the user manually).

If ED/HD CGMS Type B CRC (Subaddress 0x5E, Bit 1) is enabled, the upper six CGMS Type B data bits (P122 to P127) that comprise the 6-bit CRC check sequence are automatically calculated on the [ADV7342/ADV7343](#). This calculation is based on the lower 128 bits (H0 to H5 and P0 to P121) of the data in the CGMS Type B data registers. The result is output with the remaining 128 bits to form the complete 134 bits of the CGMS Type B data. The calculation of the CRC sequence is based on the polynomial  $x^6 + x + 1$  with a preset value of 111111.

If ED/HD CGMS Type B CRC is disabled, all 134 bits (H0 to H5 and P0 to P127) are output directly from the CGMS Type B registers (CRC must be calculated by the user manually).



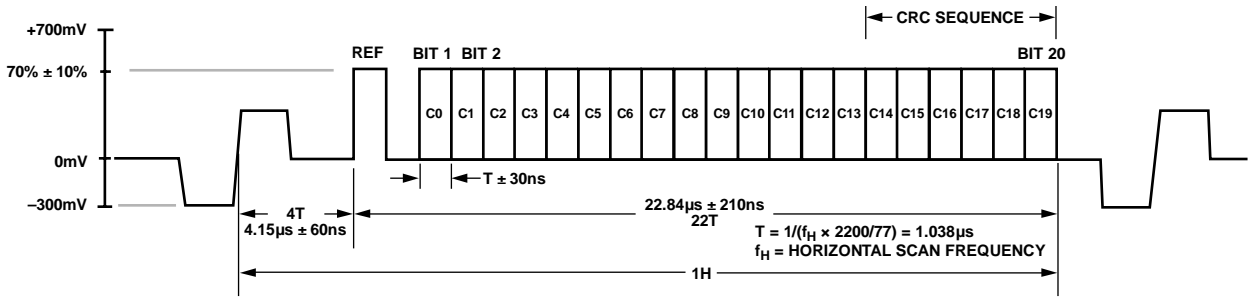
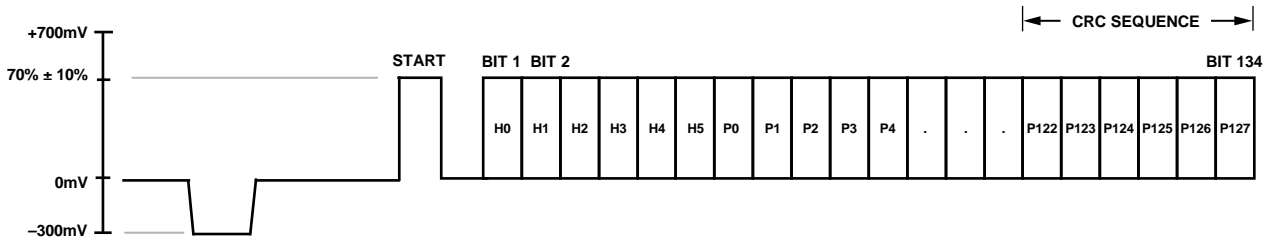


Figure 94. High Definition (1080i) CGMS Waveform

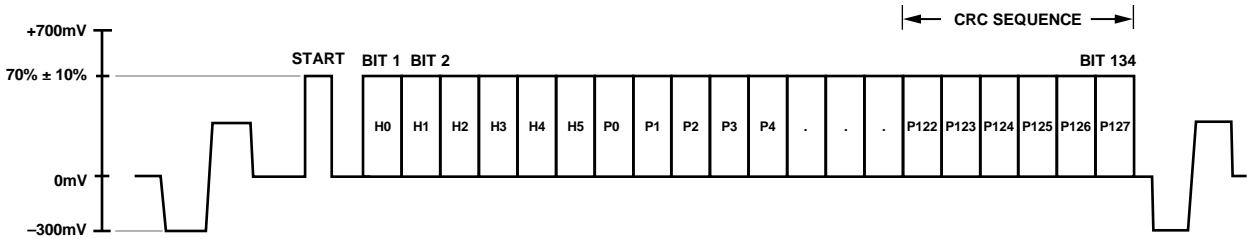
06395-086



NOTES  
1. PLEASE REFER TO THE CEA-805-A SPECIFICATION FOR TIMING INFORMATION.

Figure 95. Enhanced Definition (525p) CGMS Type B Waveform

06395-087



NOTES  
1. PLEASE REFER TO THE CEA-805-A SPECIFICATION FOR TIMING INFORMATION.

Figure 96. High Definition (720p and 1080i) CGMS Type B Waveform

06395-088

### SD WIDE SCREEN SIGNALING

**Subaddress 0x99, Subaddress 0x9A, Subaddress 0x9B**

The ADV7342/ADV7343 support wide screen signaling (WSS) conforming to the ETSI 300 294 standard. WSS data is transmitted on Line 23. WSS data can be transmitted only when the device is configured in PAL mode. The WSS data is 14 bits long. The function of each of these bits is shown in Table 60. The WSS data is preceded by a run-in sequence and a start code (see

Figure 97). The latter portion of Line 23 (after 42.5 μs from the falling edge of HSYNC) is available for the insertion of video. WSS data transmission on Line 23 can be enabled using Subaddress 0x99, Bit 7. It is possible to blank the WSS portion of Line 23 with Subaddress 0xA1, Bit 7.

**Table 60. Function of WSS**

| Bit Description                | Bit Number |    |    |    |   |   |   |   |   |   |   |   |   |   | Setting |  |
|--------------------------------|------------|----|----|----|---|---|---|---|---|---|---|---|---|---|---------|--|
|                                | 13         | 12 | 11 | 10 | 9 | 8 | 7 | 6 | 5 | 4 | 3 | 2 | 1 | 0 |         |  |
| Aspect Ratio, Format, Position |            |    |    |    |   |   |   |   |   |   |   | 1 | 0 | 0 | 0       | 4:3, full format, N/A<br>14:9, letterbox, center<br>14:9, letterbox, top<br>16:9, letterbox, center<br>16:9, letterbox, top<br>>16:9, letterbox, center<br>14:9, full format, center<br>16:0, N/A, N/A |
| Mode                           |            |    |    |    |   |   |   |   |   |   |   | 0 |   |   |         | Camera mode<br>Film mode   |
| Color Encoding                 |            |    |    |    |   |   |   |   |   | 0 |   |   |   |   |         | Normal PAL<br>Motion Adaptive ColorPlus  |
| Helper Signals                 |            |    |    |    |   |   |   | 0 |   |   |   |   |   |   |         | Not present<br>Present   |
| Reserved                       |            |    |    |    |   |   | 0 |   |   |   |   |   |   |   |         | N/A  |
| Teletext Subtitles             |            |    |    |    |   | 0 |   |   |   |   |   |   |   |   |         | No<br>Yes  |
| Open Subtitles                 |            |    |    | 0  | 0 |   |   |   |   |   |   |   |   |   |         | No<br>Subtitles in active image area<br>Subtitles out of active image area<br>Reserved   |
| Surround Sound                 |            |    | 0  |    |   |   |   |   |   |   |   |   |   |   |         | No<br>Yes  |
| Copyright                      |            | 0  |    |    |   |   |   |   |   |   |   |   |   |   |         | No copyright asserted or unknown<br>Copyright asserted   |
| Copy Protection                | 0          |    |    |    |   |   |   |   |   |   |   |   |   |   |         | Copying not restricted<br>Copying restricted   |

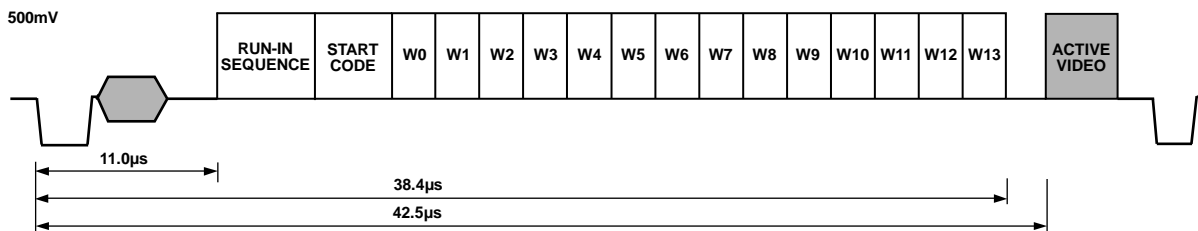


Figure 97. WSS Waveform Diagram

## SD CLOSED CAPTIONING

### Subaddress 0x91 to Subaddress 0x94

The ADV7342/ADV7343 support closed captioning conforming to the standard television synchronizing waveform for color transmission. Closed captioning is transmitted during the blanked active line time of Line 21 of the odd fields and Line 284 of the even fields.

Closed captioning consists of a seven-cycle sinusoidal burst that is frequency- and phase-locked to the caption data. After the clock run-in signal, the blanking level is held for two data bits and is followed by the Logic 1 start bit. Sixteen bits of data follow the start bit. These consist of two 8-bit bytes, seven data bits, and one odd parity bit. The data for these bytes is stored in the SD closed captioning registers (Subaddress 0x93 to Subaddress 0x94).

The ADV7342/ADV7343 also support the extended closed captioning operation, which is active during even fields and encoded on scan Line 284. The data for this operation is stored in the SD closed captioning registers (Subaddress 0x91 to Subaddress 0x92).

The ADV7342/ADV7343 automatically generate all clock run-in signals and timing that support closed captioning on Line 21

and Line 284. All pixels inputs are ignored on Line 21 and on Line 284 if closed captioning is enabled.

The FCC Code of Federal Regulations (CFR) 47 Section 15.119 and EIA-608 describe the closed captioning information for Line 21 and Line 284.

The ADV7342/ADV7343 use a single buffering method. This means that the closed captioning buffer is only 1-byte deep. Therefore, there is no frame delay in outputting the closed captioning data, unlike other 2-byte deep buffering systems. The data must be loaded one line before it is output on Line 21 and Line 284. A typical implementation of this method is to use  $\overline{\text{VSYNC}}$  to interrupt a microprocessor, which in turn loads the new data (two bytes) in every field. If no new data is required for transmission, 0s must be inserted in both data registers; this is called nulling. It is also important to load control codes, all of which are double bytes, on Line 21. Otherwise, a TV does not recognize them. If there is a message such as "Hello World" that has an odd number of characters, it is important to add a blank character at the end to make sure that the end-of-caption, 2-byte control code lands in the same field.

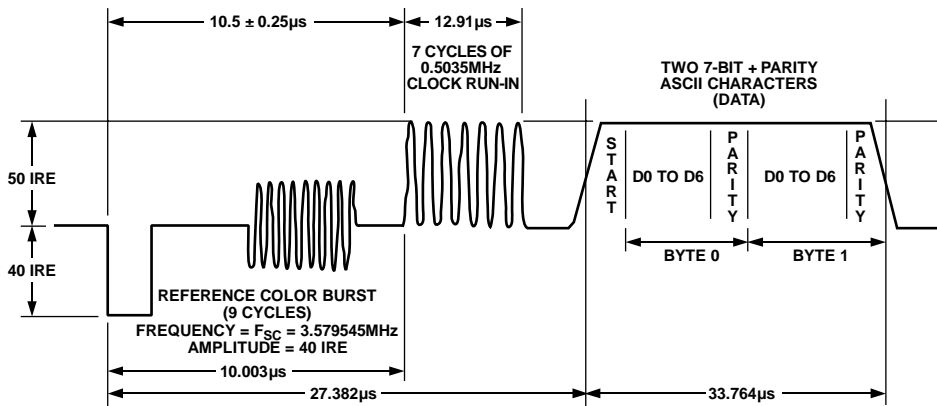


Figure 98. SD Closed Captioning Waveform, NTSC

06398-100



## INTERNAL TEST PATTERN GENERATION

### SD TEST PATTERNS

The [ADV7342/ADV7343](#) are able to internally generate SD color bar and black bar test patterns. For this function, a 27 MHz clock signal must be applied to the CLKIN\_A pin.

The register settings in Table 61 are used to generate an SD NTSC 75% color bar test pattern. CVBS output is available on DAC 4, S-Video (Y-C) output is on DAC 5 and DAC 6, and YPrPb output is on DAC 1 to DAC 3. On power-up, the subcarrier frequency registers default to the appropriate values for NTSC. All other registers are set as normal/default.

**Table 61. SD NTSC Color Bar Test Pattern Register Writes**

| Subaddress | Setting |
|------------|---------|
| 0x00       | 0xFC    |
| 0x82       | 0xC9    |
| 0x84       | 0x40    |

To generate an SD NTSC black bar test pattern, the settings shown in Table 61 should be used with an additional write of 0x24 to Subaddress 0x02.

For PAL output of either test pattern, the same settings are used, except that Subaddress 0x80 is programmed to 0x11, and the subcarrier frequency registers are programmed as shown in Table 62.

**Table 62. PAL F<sub>SC</sub> Register Writes**

| Subaddress | Description       | Setting |
|------------|-------------------|---------|
| 0x8C       | F <sub>SC</sub> 0 | 0xCB    |
| 0x8D       | F <sub>SC</sub> 1 | 0x8A    |
| 0x8E       | F <sub>SC</sub> 2 | 0x09    |
| 0x8F       | F <sub>SC</sub> 3 | 0x2A    |

Note that, when programming the F<sub>SC</sub> registers, the user must write the values in the sequence F<sub>SC</sub>0, F<sub>SC</sub>1, F<sub>SC</sub>2, F<sub>SC</sub>3. The full F<sub>SC</sub> value to be written is accepted only after the F<sub>SC</sub>3 write is complete.

### ED/HD TEST PATTERNS

The [ADV7342/ADV7343](#) are able to internally generate ED/HD black bar and hatch test patterns. For ED test patterns, a 27 MHz clock signal must be applied to the CLKIN\_A pin. For HD test patterns, a 74.25 MHz clock signal must be applied to the CLKIN\_A pin.

The register settings in Table 63 are used to generate an ED 525p hatch test pattern. YPrPb output is available on DAC 1 to DAC 3. All other registers are set as normal/default.

**Table 63. ED 525p Hatch Test Pattern Register Writes**

| Subaddress | Setting |
|------------|---------|
| 0x00       | 0x1C    |
| 0x01       | 0x10    |
| 0x31       | 0x05    |

To generate an ED 525p black bar test pattern, the settings shown in Table 63 should be used with an additional write of 0x24 to Subaddress 0x02.

To generate an ED 525p flat field test pattern, the settings shown in Table 63 should be used, except that 0x0D should be written to Subaddress 0x31.

The Y, Cr, and Cb levels for the hatch and flat field test patterns can be controlled using Subaddress 0x36, Subaddress 0x37, and Subaddress 0x38, respectively.

For ED/HD standards other than 525p, the settings shown in Table 63 (and subsequent comments) are used, except that Subaddress 0x30, Bits[7:3] are updated as appropriate.

## SD TIMING

### Mode 0 (CCIR-656)—Slave Option (Subaddress 0x8A = XXXXX000)

The ADV7342/ADV7343 are controlled by the SAV (start of active video) and EAV (end of active video) time codes embedded in the pixel data. All timing information is transmitted using a 4-byte synchronization pattern. A synchronization pattern is sent immediately before and after each line during active picture and retrace. If the S\_VSYNC and S\_HSYNC pins are not used, they should be tied to V<sub>DD\_IO</sub> during this mode.

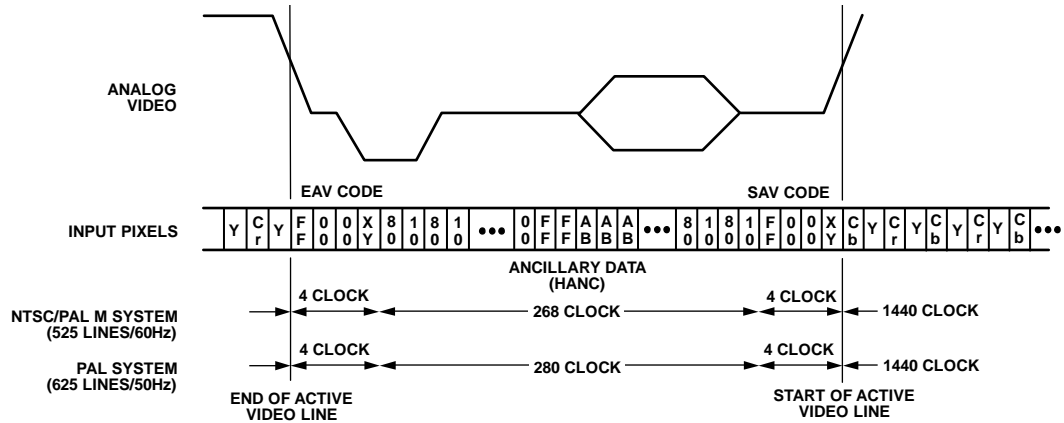


Figure 99. SD Slave Mode 0

### Mode 0 (CCIR-656)—Master Option (Subaddress 0x8A = XXXXX001)

The ADV7342/ADV7343 generate H and F signals required for the SAV and EAV time codes in the CCIR656 standard. The H bit is output on S\_HSYNC and the F bit is output on S\_VSYNC.

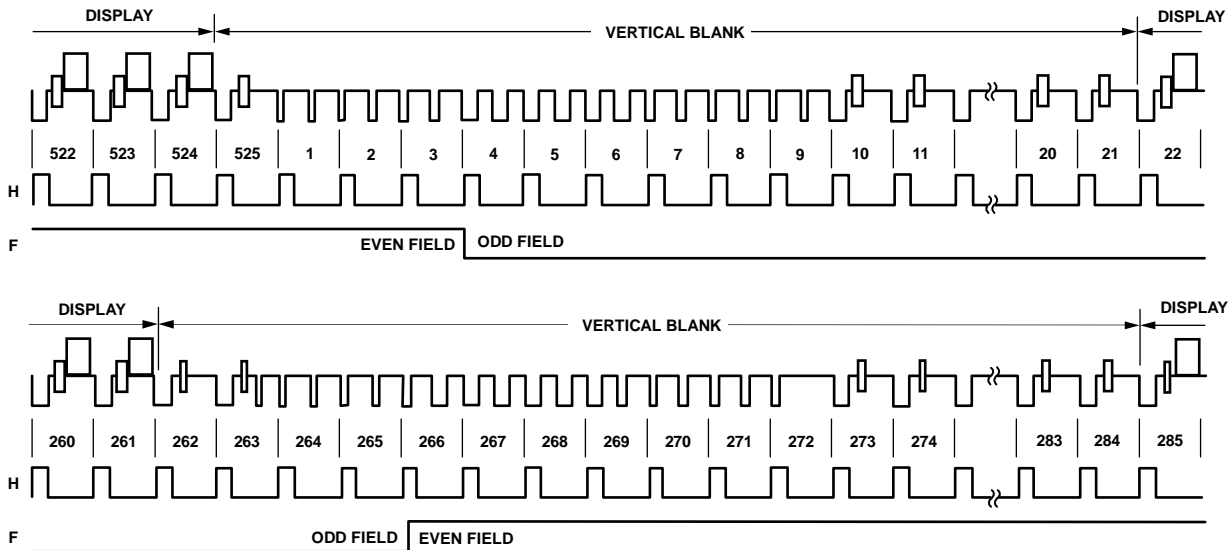


Figure 100. SD Master Mode 0, NTSC

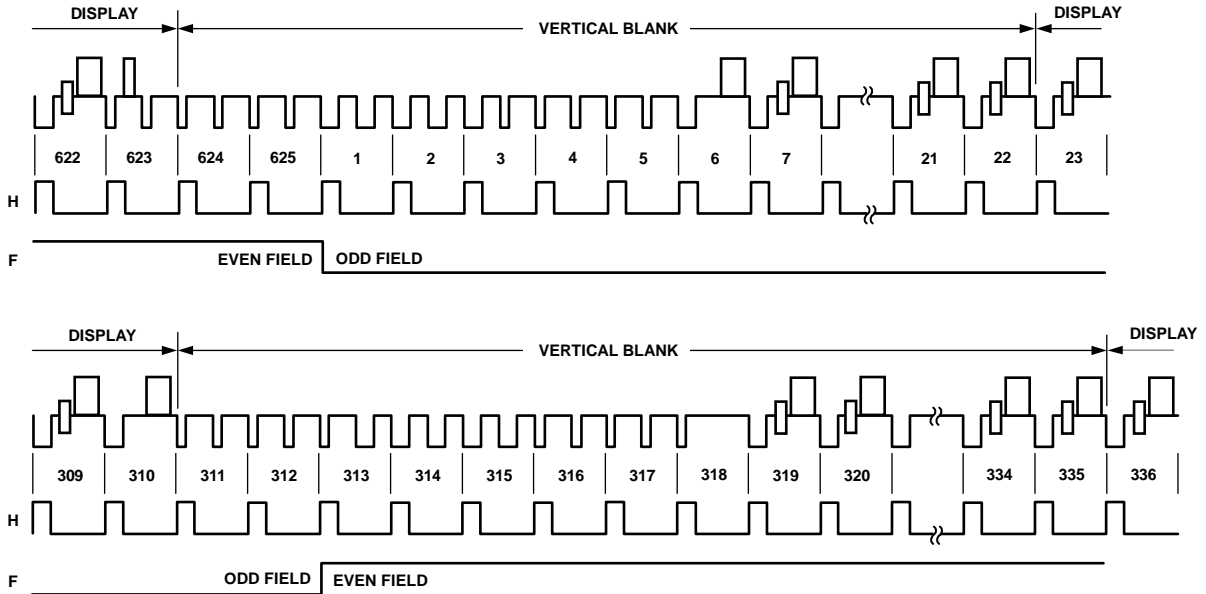


Figure 101. SD Master Mode 0, PAL

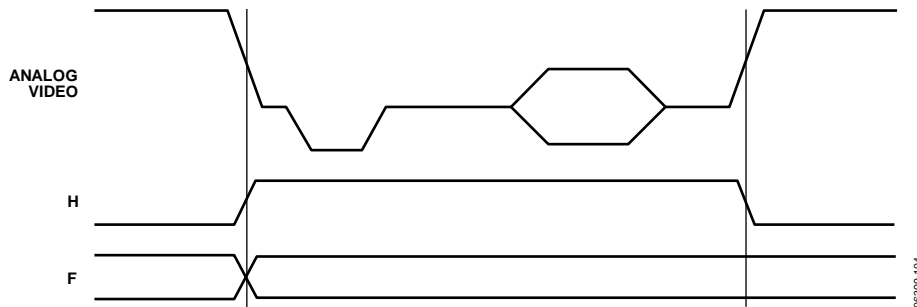


Figure 102. SD Master Mode 0, Data Transitions

**Mode 1—Slave Option (Subaddress 0x8A = XXXXX010)**

In this mode, the ADV7342/ADV7343 accept horizontal sync and odd/even field signals. When  $\overline{\text{HSYNC}}$  is low, a transition of the field input indicates a new frame, that is, vertical retrace. The ADV7342/ADV7343 automatically blank all normally blank lines as required by the CCIR-624 standard.  $\overline{\text{HSYNC}}$  and FIELD are input on the S\_HSYNC and S\_VSYNC pins, respectively.

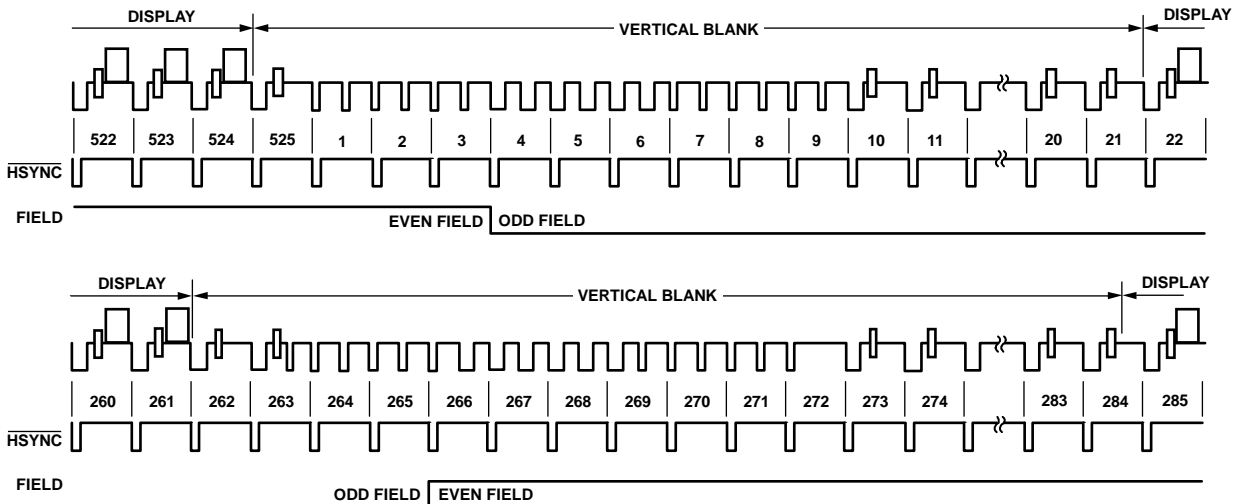


Figure 103. SD Slave Mode 1, NTSC

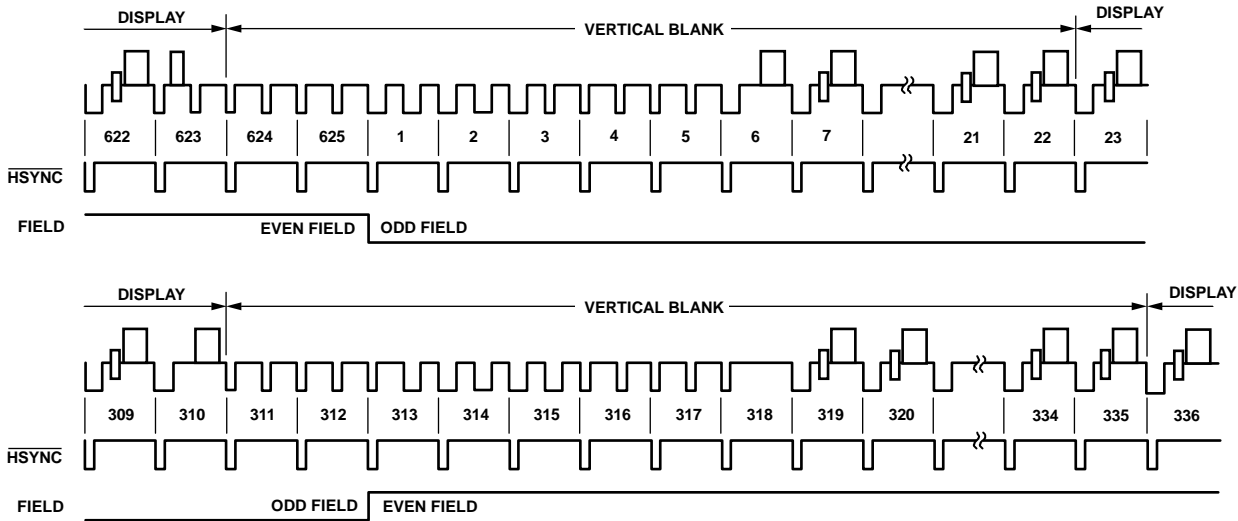


Figure 104. SD Slave Mode 1, PAL

**Mode 1—Master Option (Subaddress 0x8A = XXXXX011)**

In this mode, the ADV7342/ADV7343 can generate horizontal sync and odd/even field signals. When HSYNC is low, a transition of the field input indicates a new frame, that is, vertical retrace. The ADV7342/ADV7343 automatically blank all normally blank lines as required by the CCIR-624 standard. Pixel data is latched on the rising clock edge following the timing signal transitions. HSYNC and FIELD are output on the S\_HSYNC and S\_VSYNC pins, respectively.

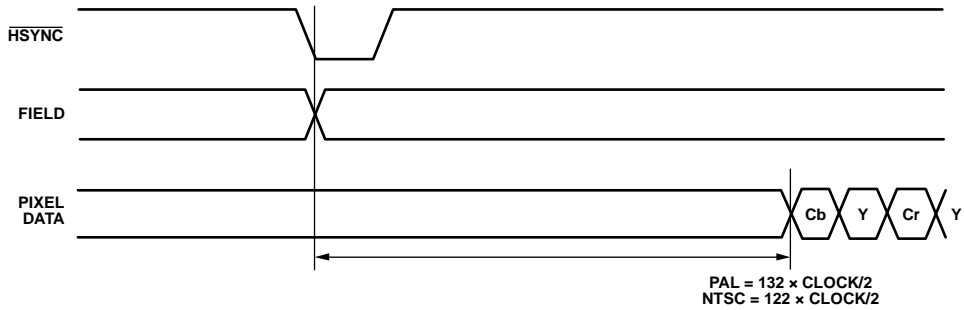


Figure 105. SD Timing Mode 1, Odd/Even Field Transitions (Master/Slave)

**Mode 2—Slave Option (Subaddress 0x8A = XXXXX100)**

In this mode, the ADV7342/ADV7343 accept horizontal and vertical sync signals. A coincident low transition of both HSYNC and VSYNC inputs indicates the start of an odd field. A VSYNC low transition when HSYNC is high indicates the start of an even field. The ADV7342/ADV7343 automatically blank all normally blank lines as required by the CCIR-624 standard. HSYNC and VSYNC are input on the S\_HSYNC and S\_VSYNC pins, respectively.

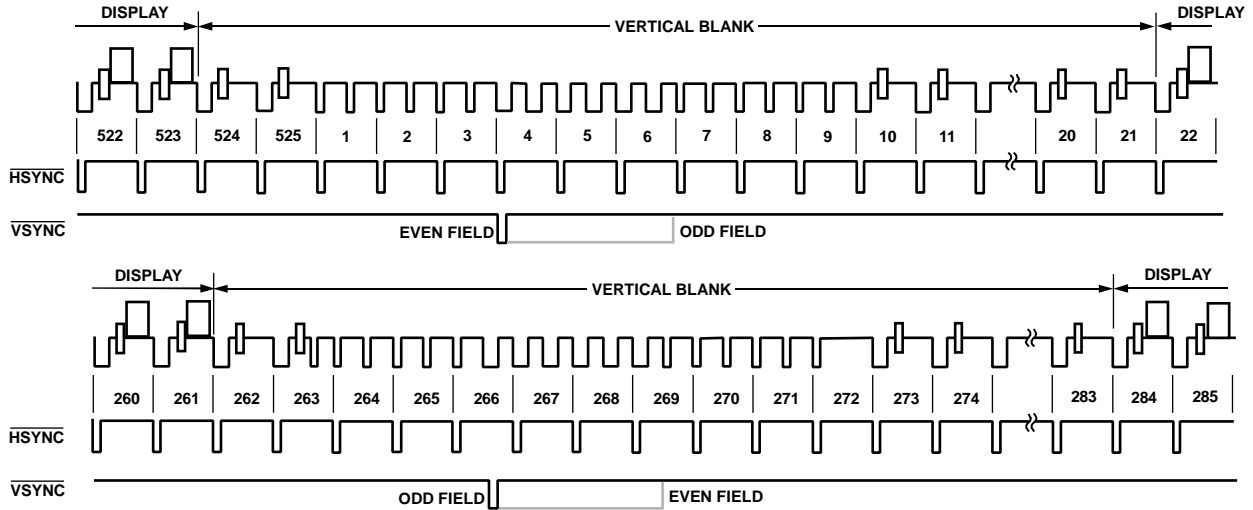


Figure 106. SD Slave Mode 2, NTSC

06399-108

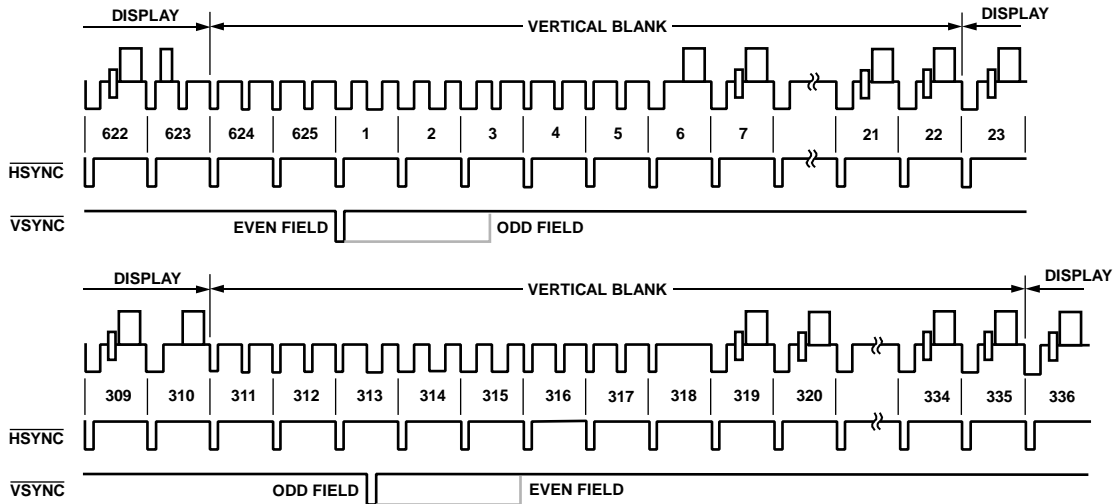


Figure 107. SD Slave Mode 2, PAL

06399-108

**Mode 2—Master Option (Subaddress 0x8A = XXXXX 1 0 1)**

In this mode, the ADV7342/ADV7343 can generate horizontal and vertical sync signals. A coincident low transition of both HSYNC and VSYNC inputs indicates the start of an odd field. A VSYNC low transition when HSYNC is high indicates the start of an even field. The ADV7342/ADV7343 automatically blank all normally blank lines as required by the CCIR-624 standard. HSYNC and VSYNC are output on the S\_HSYNC and S\_VSYNC pins, respectively.

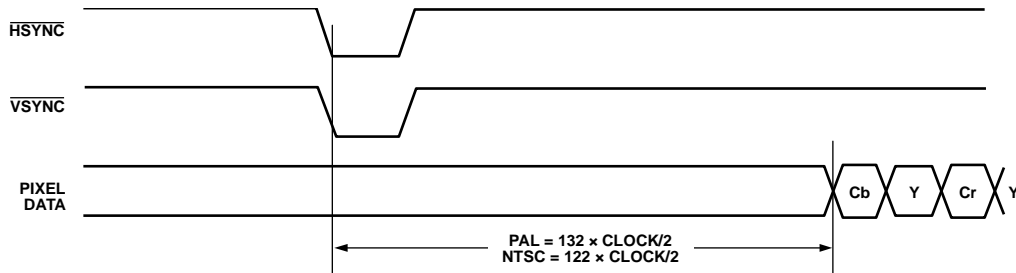


Figure 108. SD Timing Mode 2, Even-to-Odd Field Transition (Master/Slave)

06399-110

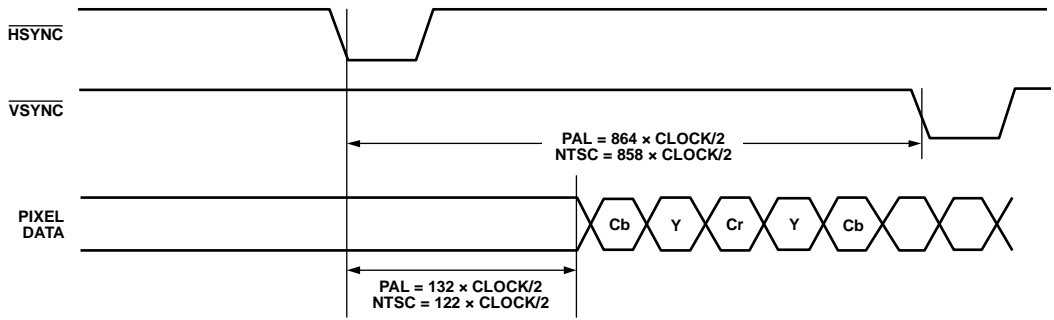


Figure 109. SD Timing Mode 2, Odd-to-Even Field Transition (Master/Slave)

**Mode 3—Master/Slave Option (Subaddress 0x8A = XXXXX 1 1 0 or XXXXX 1 1 1)**

In this mode, the ADV7342/ADV7343 accept or generate horizontal sync and odd/even field signals. When HSYNC is high, a transition of the field input indicates a new frame, that is, vertical retrace. The ADV7342/ADV7343 automatically blank all normally blank lines as required by the CCIR-624 standard. HSYNC and VSYNC are output in master mode and input in slave mode on the S\_VSYNC and S\_VSYNC pins, respectively.

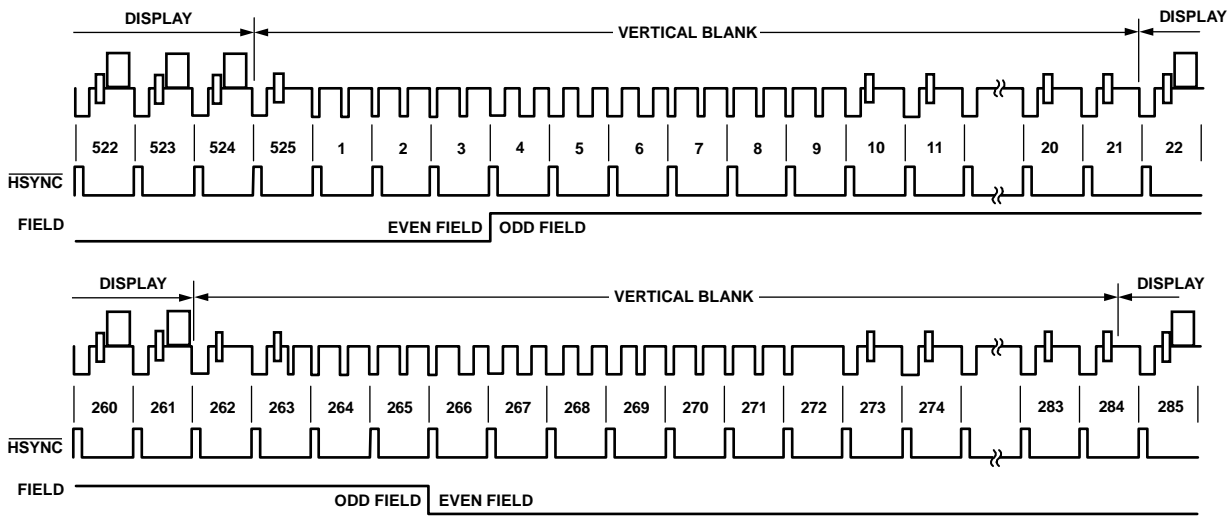


Figure 110. SD Timing Mode 3, NTSC

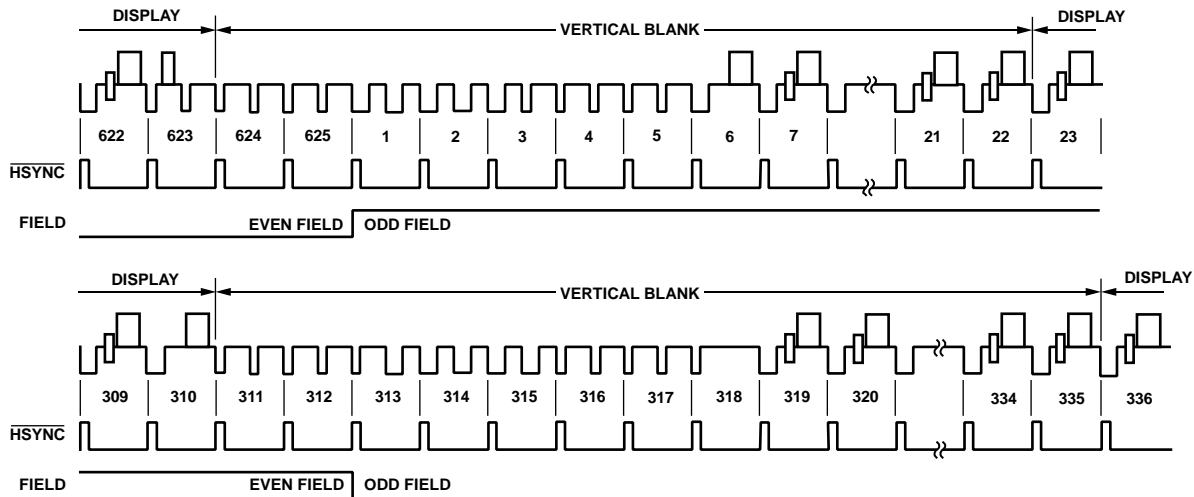


Figure 111. SD Timing Mode 3, PAL

# HD TIMING

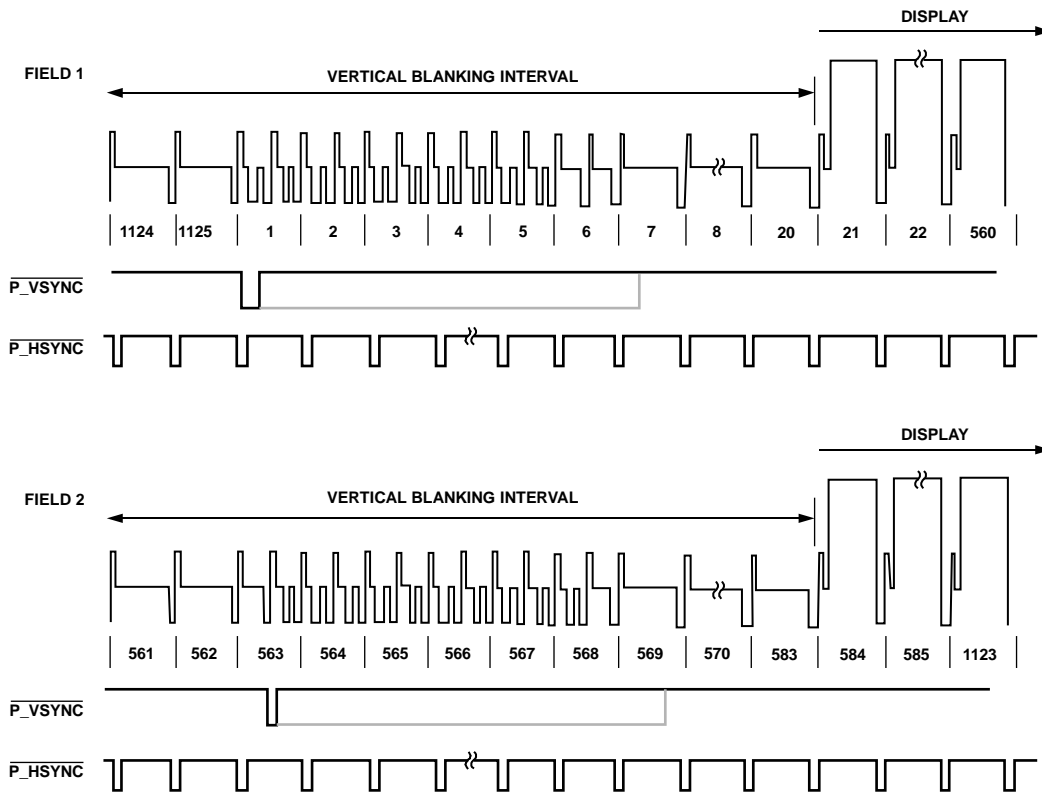


Figure 112. 1080i  $\overline{HSYNC}$  and  $\overline{VSYNC}$  Input Timing

06399-114

# VIDEO OUTPUT LEVELS

## SD YPrPb OUTPUT LEVELS—SMPTE/EBU N10

Pattern: 100% Color Bars

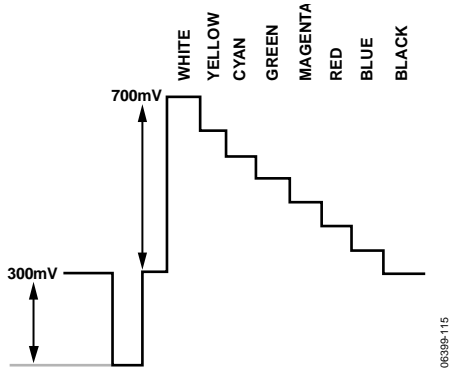


Figure 113. Y Levels—NTSC

06389-115

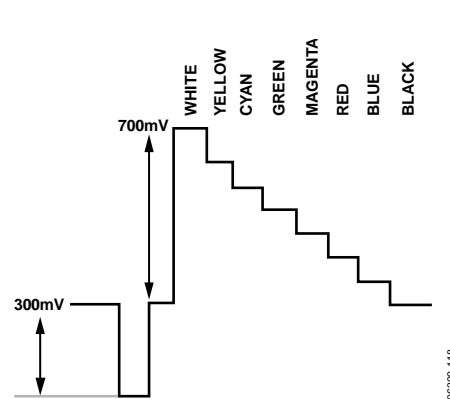


Figure 116. Y Levels—PAL

06389-116

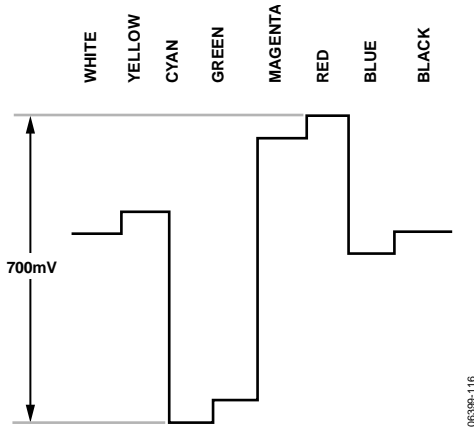


Figure 114. Pr Levels—NTSC

06389-116

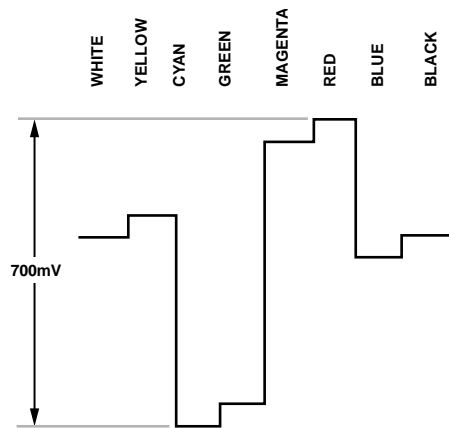


Figure 117. Pr Levels—PAL

06389-119

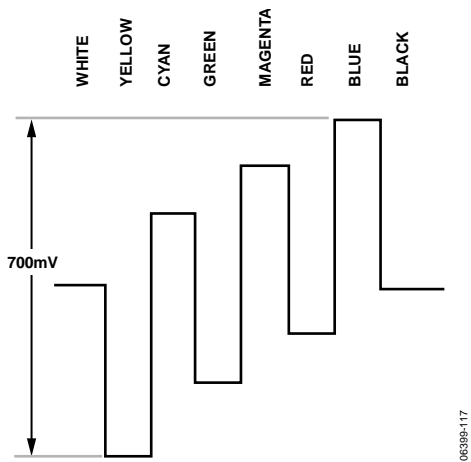


Figure 115. Pb Levels—NTSC

06389-117

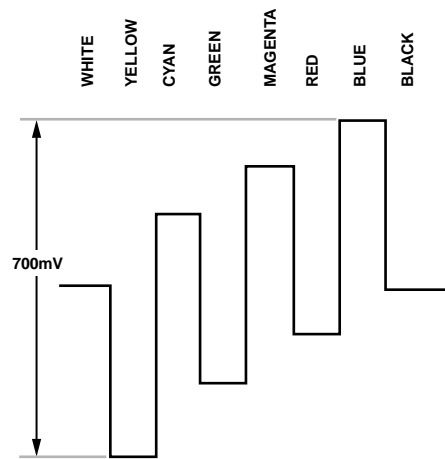


Figure 118. Pb Levels—PAL

06389-120



ED/HD YPrPb OUTPUT LEVELS

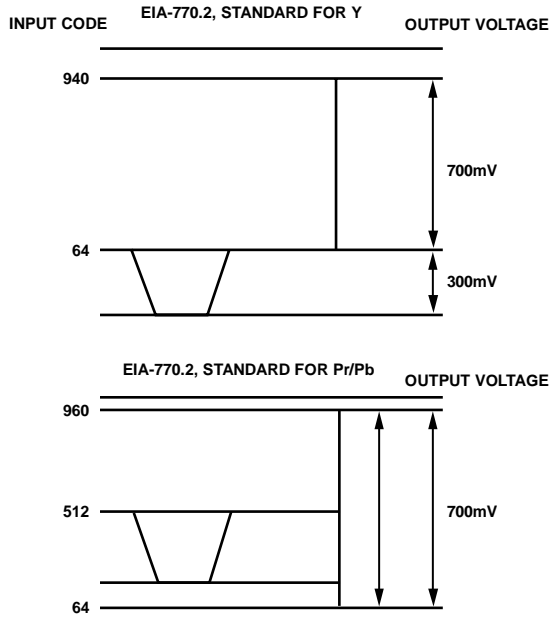


Figure 119. EIA-770.2 Standard Output Signals (525p/625p)

06389-121

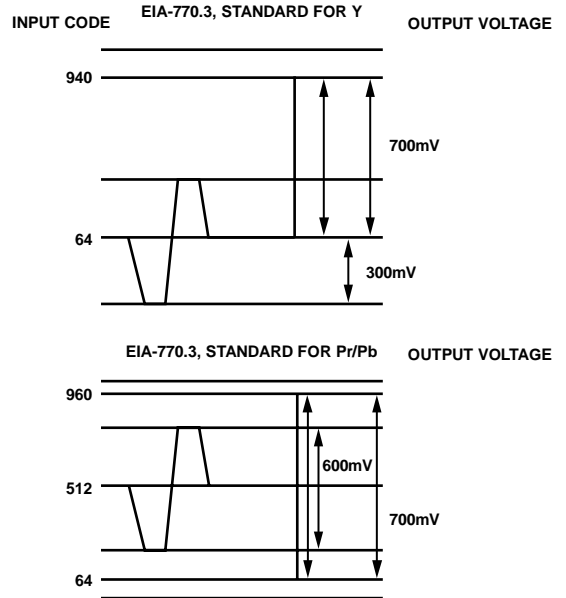


Figure 121. EIA-770.3 Standard Output Signals (1080i/720p)

06389-123

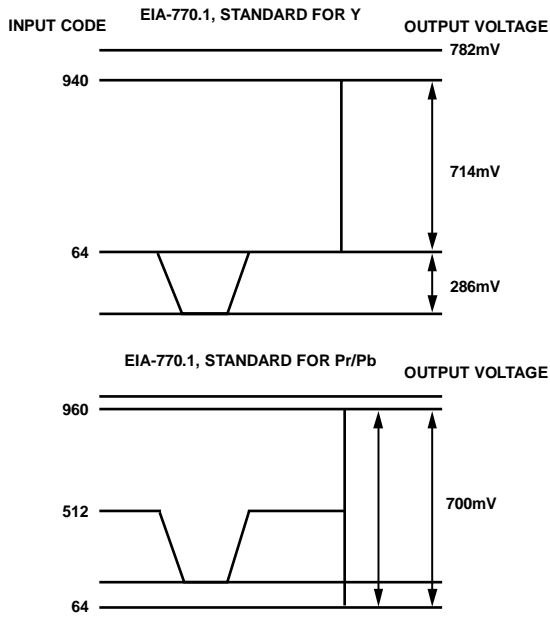


Figure 120. EIA-770.1 Standard Output Signals (525p/625p)

06389-122

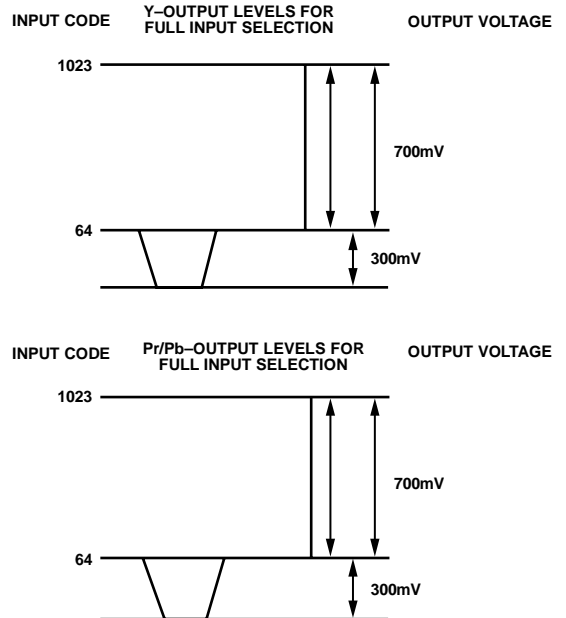


Figure 122. Output Levels for Full Input Selection

06389-124

**SD/ED/HD RGB OUTPUT LEVELS**

*Pattern: 100%/75% Color Bars*

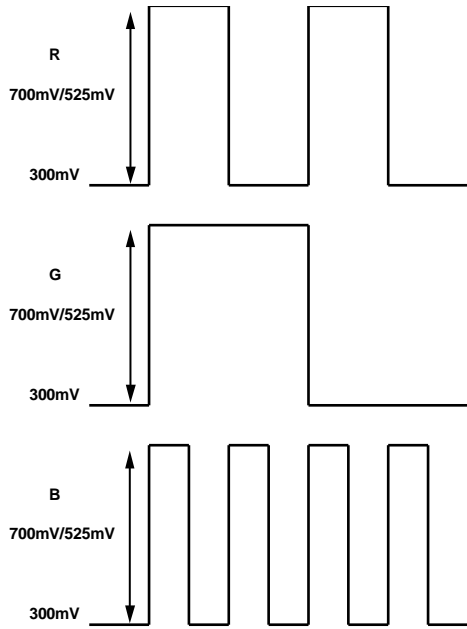


Figure 123. SD/ED RGB Output Levels—RGB Sync Disabled

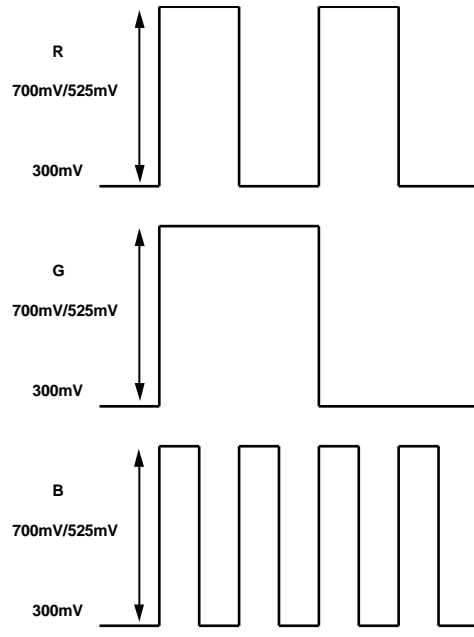


Figure 125. HD RGB Output Levels—RGB Sync Disabled

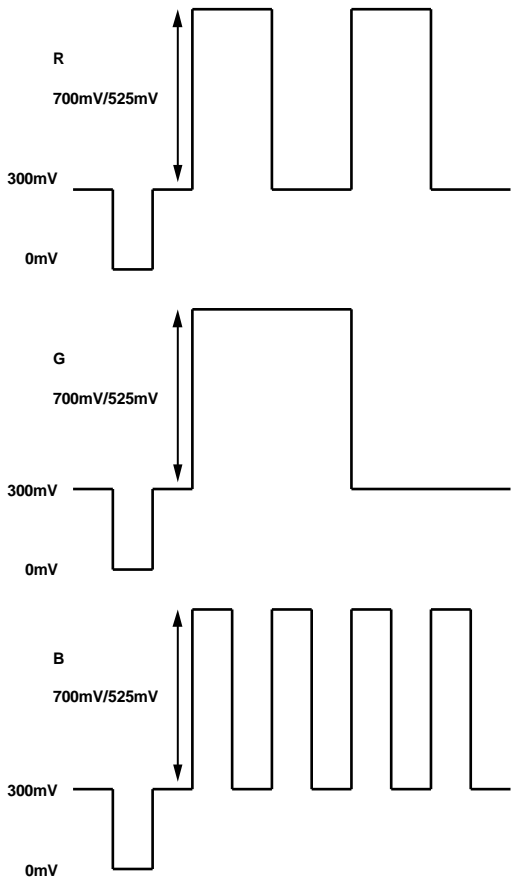


Figure 124. SD/ED RGB Output Levels—RGB Sync Enabled

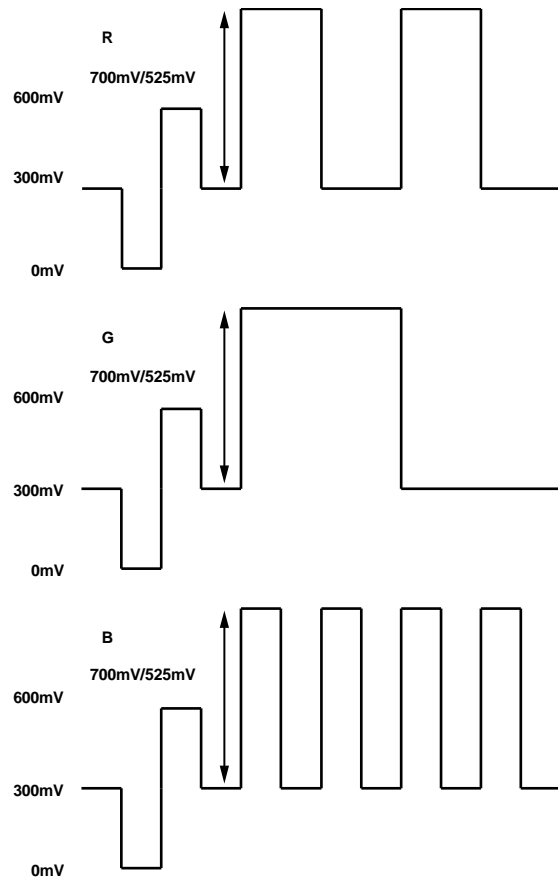


Figure 126. HD RGB Output Levels—RGB Sync Enabled



VIDEO STANDARDS

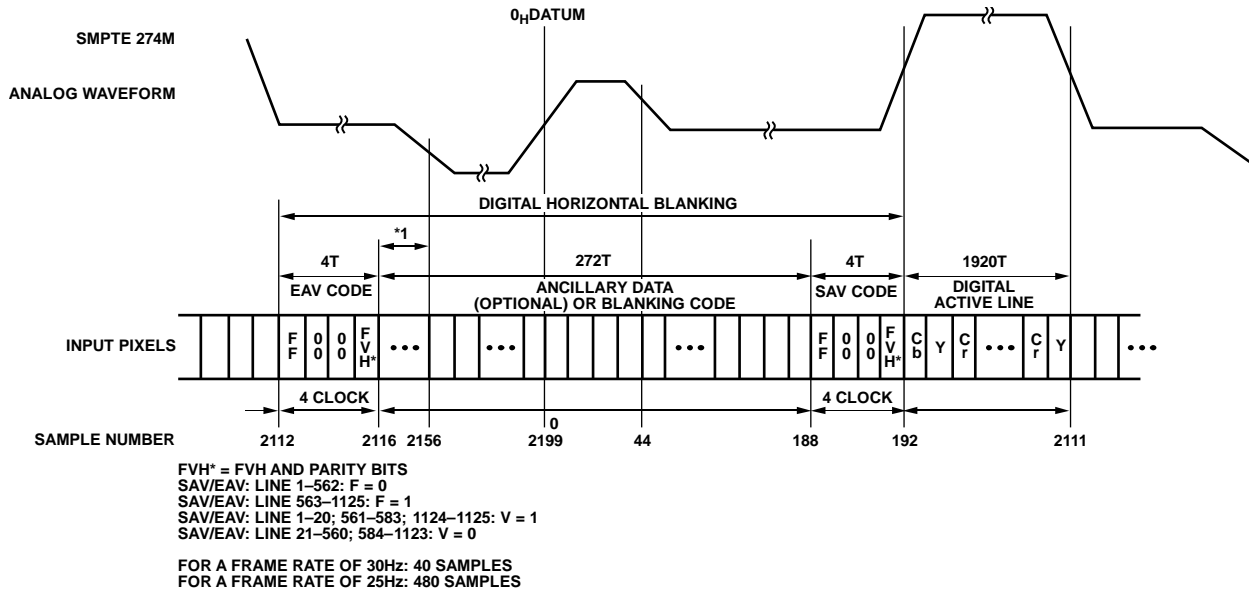


Figure 133. EAV/SAV Input Data Timing Diagram (SMPTE 274M)

06399-135

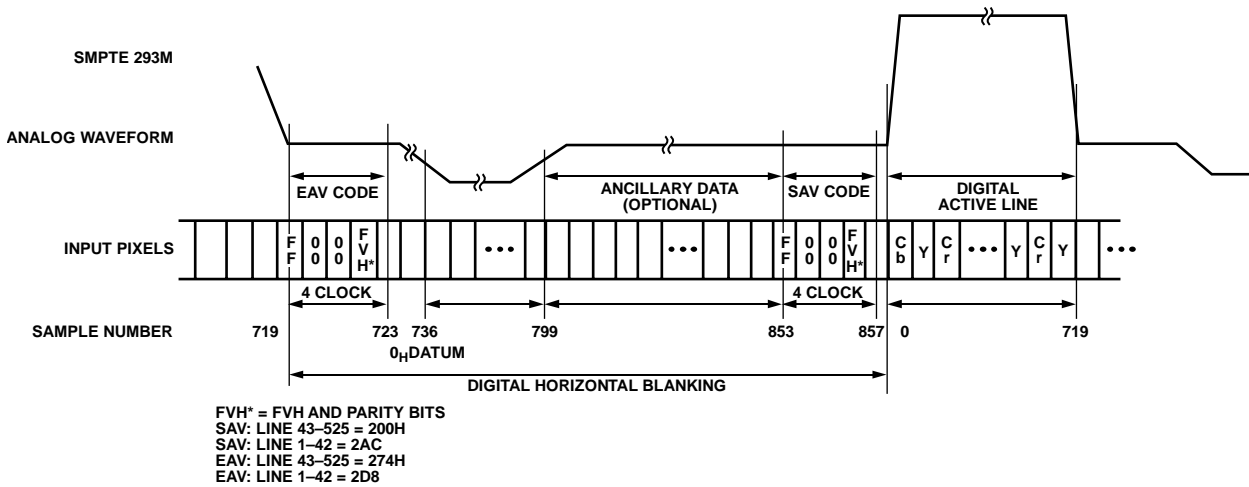


Figure 134. EAV/SAV Input Data Timing Diagram (SMPTE 293M)

06399-136

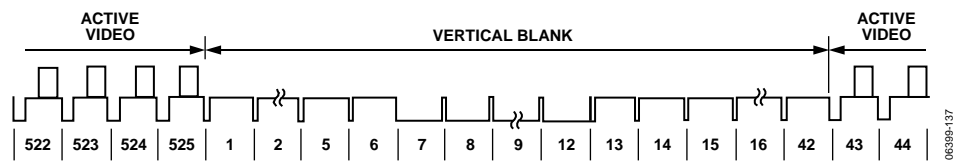


Figure 135. SMPTE 293M (525p)

06399-137

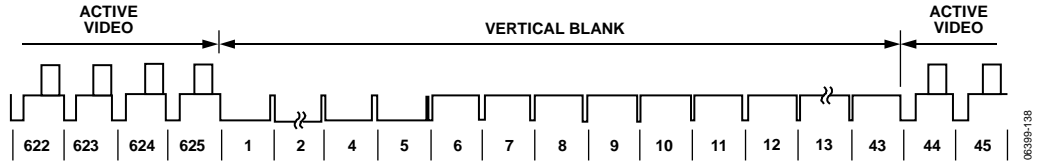


Figure 136. ITU-R BT.1358 (625p)

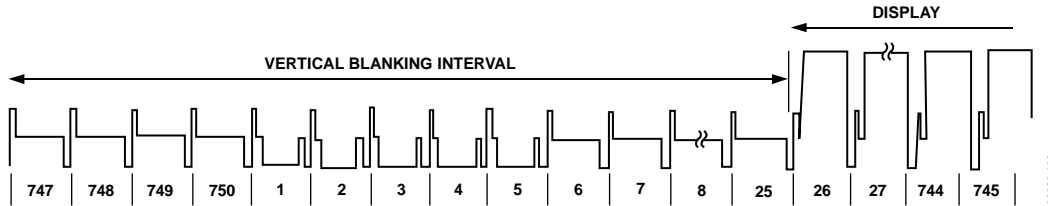


Figure 137. SMPTE 296M (720p)

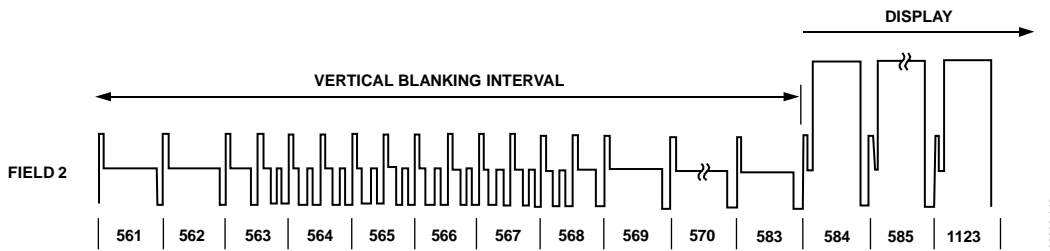
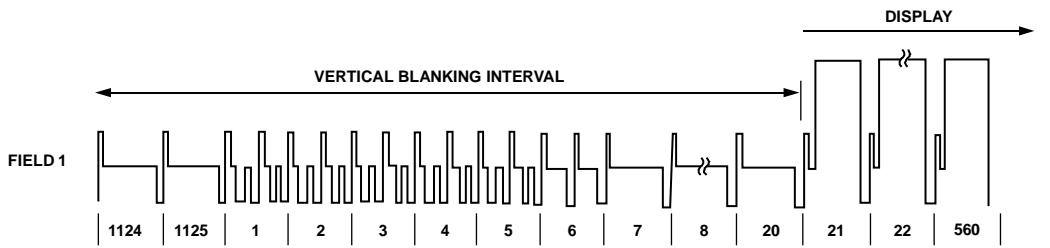


Figure 138. SMPTE 274M (1080i)

## CONFIGURATION SCRIPTS

The scripts listed in the following pages can be used to configure the [ADV7342/ADV7343](#) for basic operation. Certain features are enabled by default. If required for a specific application, additional features can be enabled.

Table 64 lists the scripts available for the SD modes of operation. Similarly, Table 85 and Table 111 list the scripts available for ED and HD modes of operation, respectively. For all scripts, only the necessary register writes are included. All other registers are assumed to have their default values.

### STANDARD DEFINITION

**Table 64. SD Configuration Scripts**

| Input Format   | Input Data Width <sup>1</sup> | Synchronization Format          | Input Color Space | Output Color Space | Table Number |
|----------------|-------------------------------|---------------------------------|-------------------|--------------------|--------------|
| 525i (NTSC)    | 8-bit SDR                     | $\overline{\text{EAV/SAV}}$     | YCrCb             | YPrPb and CVBS/Y-C | Table 65     |
| 525i (NTSC)    | 8-bit SDR                     | $\overline{\text{HSYNC/VSYNC}}$ | YCrCb             | YPrPb and CVBS/Y-C | Table 66     |
| 525i (NTSC)    | 8-bit SDR                     | $\overline{\text{EAV/SAV}}$     | YCrCb             | RGB and CVBS/Y-C   | Table 67     |
| 525i (NTSC)    | 8-bit SDR                     | $\overline{\text{HSYNC/VSYNC}}$ | YCrCb             | RGB and CVBS/Y-C   | Table 68     |
| 525i (NTSC)    | 16-bit SDR                    | $\overline{\text{HSYNC/VSYNC}}$ | YCrCb             | YPrPb and CVBS/Y-C | Table 69     |
| 525i (NTSC)    | 16-bit SDR                    | $\overline{\text{HSYNC/VSYNC}}$ | YCrCb             | RGB and CVBS/Y-C   | Table 70     |
| 525i (NTSC)    | 24-bit SDR                    | $\overline{\text{HSYNC/VSYNC}}$ | RGB               | YPrPb and CVBS/Y-C | Table 71     |
| 525i (NTSC)    | 24-bit SDR                    | $\overline{\text{HSYNC/VSYNC}}$ | RGB               | RGB and CVBS/Y-C   | Table 72     |
| NTSC Sq. Pixel | 8-bit SDR                     | $\overline{\text{EAV/SAV}}$     | YCrCb             | CVBS/Y-C (S-Video) | Table 73     |
| NTSC Sq. Pixel | 16-bit SDR                    | $\overline{\text{HSYNC/VSYNC}}$ | RGB               | CVBS/Y-C (S-Video) | Table 74     |
| 625i (PAL)     | 8-bit SDR                     | $\overline{\text{EAV/SAV}}$     | YCrCb             | YPrPb and CVBS/Y-C | Table 75     |
| 625i (PAL)     | 8-bit SDR                     | $\overline{\text{HSYNC/VSYNC}}$ | YCrCb             | YPrPb and CVBS/Y-C | Table 76     |
| 625i (PAL)     | 8-bit SDR                     | $\overline{\text{EAV/SAV}}$     | YCrCb             | RGB and CVBS/Y-C   | Table 77     |
| 625i (PAL)     | 8-bit SDR                     | $\overline{\text{HSYNC/VSYNC}}$ | YCrCb             | RGB and CVBS/Y-C   | Table 78     |
| 625i (PAL)     | 16-bit SDR                    | $\overline{\text{HSYNC/VSYNC}}$ | YCrCb             | YPrPb and CVBS/Y-C | Table 79     |
| 625i (PAL)     | 16-bit SDR                    | $\overline{\text{HSYNC/VSYNC}}$ | YCrCb             | RGB and CVBS/Y-C   | Table 80     |
| 625i (PAL)     | 24-bit SDR                    | $\overline{\text{HSYNC/VSYNC}}$ | RGB               | YPrPb and CVBS/Y-C | Table 81     |
| 625i (PAL)     | 24-bit SDR                    | $\overline{\text{HSYNC/VSYNC}}$ | RGB               | RGB and CVBS/Y-C   | Table 82     |
| PAL Sq. Pixel  | 8-bit SDR                     | $\overline{\text{EAV/SAV}}$     | YCrCb             | CVBS/Y-C (S-Video) | Table 83     |
| PAL Sq. Pixel  | 16-bit SDR                    | $\overline{\text{HSYNC/VSYNC}}$ | RGB               | CVBS/Y-C (S-Video) | Table 84     |

<sup>1</sup> SDR = single data rate.

**Table 65. 8-Bit 525i YCrCb In (EAV/SAV), YPrPb and CVBS/Y-C Out**

| Subaddress | Setting | Description  |
|------------|---------|--|
| 0x17       | 0x02    | Software reset.  |
| 0x00       | 0xFC    | All DACs enabled. PLL enabled (16x).   |
| 0x01       | 0x00    | SD input mode.   |
| 0x80       | 0x10    | NTSC standard. SSAF luma filter enabled. 1.3 MHz chroma filter enabled.  |
| 0x82       | 0xC9    | Pixel data valid. YPrPb and CVBS/Y-C out. SSAF PrPb filter enabled. Active video edge control enabled. Pedestal enabled. |

**Table 66. 8-Bit 525i YCrCb In, YPrPb and CVBS/Y-C Out**

| Subaddress | Setting | Description  |
|------------|---------|--|
| 0x17       | 0x02    | Software reset.  |
| 0x00       | 0xFC    | All DACs enabled. PLL enabled (16x).   |
| 0x01       | 0x00    | SD input mode.   |
| 0x80       | 0x10    | NTSC standard. SSAF luma filter enabled. 1.3 MHz chroma filter enabled.  |
| 0x82       | 0xC9    | Pixel data valid. YPrPb and CVBS/Y-C out. SSAF PrPb filter enabled. Active video edge control enabled. Pedestal enabled. |
| 0x8A       | 0x0C    | Timing Mode 2 (slave). HSYNC/VSYNC synchronization.  |

**Table 67. 8-Bit 525i YCrCb In (EAV/SAV), RGB and CVBS/Y-C Out**

| Subaddress | Setting | Description  |
|------------|---------|--|
| 0x17       | 0x02    | Software reset.  |
| 0x00       | 0xFC    | All DACs enabled. PLL enabled (16x).   |
| 0x01       | 0x00    | SD input mode.   |
| 0x02       | 0x10    | RGB output enabled. RGB output sync enabled.   |
| 0x80       | 0x10    | NTSC standard. SSAF luma filter enabled. 1.3 MHz chroma filter enabled.  |
| 0x82       | 0xC9    | Pixel data valid. RGB and CVBS/Y-C out. SSAF PrPb filter enabled. Active video edge control enabled. Pedestal enabled. |

**Table 68. 8-Bit 525i YCrCb In, RGB and CVBS/Y-C Out**

| Subaddress | Setting | Description  |
|------------|---------|--|
| 0x17       | 0x02    | Software reset.  |
| 0x00       | 0xFC    | All DACs enabled. PLL enabled (16x).   |
| 0x01       | 0x00    | SD input mode.   |
| 0x02       | 0x10    | RGB output enabled. RGB output sync enabled.   |
| 0x80       | 0x10    | NTSC standard. SSAF luma filter enabled. 1.3 MHz chroma filter enabled.  |
| 0x82       | 0xC9    | Pixel data valid. RGB and CVBS/Y-C out. SSAF PrPb filter enabled. Active video edge control enabled. Pedestal enabled. |
| 0x8A       | 0x0C    | Timing Mode 2 (slave). HSYNC/VSYNC synchronization.  |

**Table 69. 16-Bit 525i YCrCb In, YPrPb and CVBS/Y-C Out**

| Subaddress | Setting | Description  |
|------------|---------|--|
| 0x17       | 0x02    | Software reset.  |
| 0x00       | 0xFC    | All DACs enabled. PLL enabled (16x).   |
| 0x01       | 0x00    | SD input mode.   |
| 0x80       | 0x10    | NTSC standard. SSAF luma filter enabled. 1.3 MHz chroma filter enabled.  |
| 0x82       | 0xC9    | Pixel data valid. YPrPb and CVBS/Y-C out. SSAF PrPb filter enabled. Active video edge control enabled. Pedestal enabled. |
| 0x88       | 0x08    | 16-bit input enabled.  |
| 0x8A       | 0x0C    | Timing Mode 2 (slave). HSYNC/VSYNC synchronization.  |

**Table 70. 16-Bit 525i YCrCb In, RGB and CVBS/Y-C Out**

| Subaddress | Setting | Description  |
|------------|---------|--|
| 0x17       | 0x02    | Software reset.  |
| 0x00       | 0xFC    | All DACs enabled. PLL enabled (16x).   |
| 0x01       | 0x00    | SD input mode.   |
| 0x02       | 0x10    | RGB output enabled. RGB output sync enabled.   |
| 0x80       | 0x10    | NTSC standard. SSAF luma filter enabled. 1.3 MHz chroma filter enabled.  |
| 0x82       | 0xC9    | Pixel data valid. RGB and CVBS/Y-C out. SSAF PrPb filter enabled. Active video edge control enabled. Pedestal enabled. |
| 0x88       | 0x08    | 16-bit input enabled.  |
| 0x8A       | 0x0C    | Timing Mode 2 (slave). HSYNC/VSYNC synchronization.  |

**Table 71. 24-Bit 525i RGB In, YPrPb and CVBS/Y-C Out**

| Subaddress | Setting | Description  |
|------------|---------|--|
| 0x17       | 0x02    | Software reset.  |
| 0x00       | 0xFC    | All DACs enabled. PLL enabled (16x).   |
| 0x01       | 0x00    | SD input mode.   |
| 0x80       | 0x10    | NTSC standard. SSAF luma filter enabled. 1.3 MHz chroma filter enabled.  |
| 0x82       | 0xC9    | Pixel data valid. YPrPb and CVBS/Y-C out. SSAF PrPb filter enabled. Active video edge control enabled. Pedestal enabled. |
| 0x87       | 0x80    | RGB input enabled.   |
| 0x88       | 0x10    | 24-bit RGB input enabled.  |
| 0x8A       | 0x0C    | Timing Mode 2 (slave). HSYNC/VSYNC synchronization.  |

**Table 72. 24-Bit 525i RGB In, RGB and CVBS/Y-C Out**

| Subaddress | Setting | Description  |
|------------|---------|--|
| 0x17       | 0x02    | Software reset.  |
| 0x00       | 0xFC    | All DACs enabled. PLL enabled (16x).   |
| 0x01       | 0x00    | SD input mode.   |
| 0x02       | 0x10    | RGB output enabled. RGB output sync enabled.   |
| 0x80       | 0x10    | NTSC standard. SSAF luma filter enabled. 1.3 MHz chroma filter enabled.  |
| 0x82       | 0xC9    | Pixel data valid. RGB and CVBS/Y-C out. SSAF PrPb filter enabled. Active video edge control enabled. Pedestal enabled. |
| 0x87       | 0x80    | RGB input enabled.   |
| 0x88       | 0x10    | 24-bit RGB input enabled   |
| 0x8A       | 0x0C    | Timing Mode 2 (slave). HSYNC/VSYNC synchronization.  |

**Table 73. 8-Bit NTSC Square Pixel YCrCb In (EAV/SAV), CVBS/Y-C Out**

| Subaddress | Setting | Description   |
|------------|---------|---|
| 0x17       | 0x02    | Software reset  |
| 0x00       | 0x1C    | All DACs enabled. PLL enabled (16x).  |
| 0x01       | 0x00    | SD input mode.  |
| 0x80       | 0x10    | NTSC standard. SSAF luma filter enabled. 1.3 MHz chroma filter enabled.   |
| 0x82       | 0xDB    | Pixel data valid. CVBS/Y-C (S-Video) out. SSAF PrPb filter enabled. Active video edge control enabled. Pedestal enabled. Square pixel mode enabled. |
| 0x8C       | 0x55    | Subcarrier frequency register values for CVBS and/or S-Video (Y-C) output in NTSC square pixel mode (24.5454 MHz input clock).                      |
| 0x8D       | 0x55    |   |
| 0x8E       | 0x55    |   |
| 0x8F       | 0x25    |   |

**Table 74. 16-Bit NTSC Square Pixel RGB In, CVBS/Y-C Out**

| Subaddress | Setting | Description   |
|------------|---------|---|
| 0x17       | 0x02    | Software reset.   |
| 0x00       | 0x1C    | All DACs enabled. PLL enabled (16x).  |
| 0x01       | 0x00    | SD input mode.  |
| 0x80       | 0x10    | NTSC standard. SSAF luma filter enabled. 1.3 MHz chroma filter enabled.   |
| 0x82       | 0xDB    | Pixel data valid. CVBS/Y-C (S-Video) out. SSAF PrPb filter enabled. Active video edge control enabled. Pedestal enabled. Square pixel mode enabled. |
| 0x87       | 0x80    | RGB input enabled.  |
| 0x88       | 0x10    | 16-bit RGB input enabled.   |
| 0x8A       | 0x0C    | Timing Mode 2 (slave). HSYNC/VSYNC synchronization.   |
| 0x8C       | 0x55    | Subcarrier frequency register values for CVBS and/or S-Video (Y-C) output in NTSC square pixel mode (24.5454 MHz input clock).                      |
| 0x8D       | 0x55    |   |
| 0x8E       | 0x55    |   |
| 0x8F       | 0x25    |   |

**Table 75. 8-Bit 625i YCrCb In (EAV/SAV), YPrPb and CVBS/Y-C Out**

| Subaddress | Setting | Description  |
|------------|---------|--|
| 0x17       | 0x02    | Software reset.  |
| 0x00       | 0xFC    | All DACs enabled. PLL enabled (16x).   |
| 0x01       | 0x00    | SD input mode.   |
| 0x80       | 0x11    | PAL standard. SSAF luma filter enabled. 1.3 MHz chroma filter enabled.                                 |
| 0x82       | 0xC1    | Pixel data valid. YPrPb and CVBS/Y-C out. SSAF PrPb filter enabled. Active video edge control enabled. |

**Table 76. 8-Bit 625i YCrCb In, YPrPb and CVBS/Y-C Out**

| Subaddress | Setting | Description  |
|------------|---------|--|
| 0x17       | 0x02    | Software reset.  |
| 0x00       | 0xFC    | All DACs enabled. PLL enabled (16x).   |
| 0x01       | 0x00    | SD input mode.   |
| 0x80       | 0x11    | PAL standard. SSAF luma filter enabled. 1.3 MHz chroma filter enabled.                                 |
| 0x82       | 0xC1    | Pixel data valid. YPrPb and CVBS/Y-C out. SSAF PrPb filter enabled. Active video edge control enabled. |
| 0x8A       | 0x0C    | Timing Mode 2 (slave). HSYNC/VSYNC synchronization.  |

**Table 77. 8-Bit 625i YCrCb In (EAV/SAV), RGB and CVBS/Y-C Out**

| Subaddress | Setting | Description  |
|------------|---------|--|
| 0x17       | 0x02    | Software reset.  |
| 0x00       | 0xFC    | All DACs enabled. PLL enabled (16x).   |
| 0x01       | 0x00    | SD input mode.   |
| 0x02       | 0x10    | RGB output enabled. RGB output sync enabled.   |
| 0x80       | 0x11    | PAL standard. SSAF luma filter enabled. 1.3 MHz chroma filter enabled.                               |
| 0x82       | 0xC1    | Pixel data valid. RGB and CVBS/Y-C out. SSAF PrPb filter enabled. Active video edge control enabled. |

**Table 78. 8-Bit 625i YCrCb In, RGB and CVBS/Y-C Out**

| Subaddress | Setting | Description  |
|------------|---------|--|
| 0x17       | 0x02    | Software reset.  |
| 0x00       | 0xFC    | All DACs enabled. PLL enabled (16x).   |
| 0x01       | 0x00    | SD input mode.   |
| 0x02       | 0x10    | RGB output enabled. RGB output sync enabled.   |
| 0x80       | 0x11    | PAL standard. SSAF luma filter enabled. 1.3 MHz chroma filter enabled.                               |
| 0x82       | 0xC1    | Pixel data valid. RGB and CVBS/Y-C out. SSAF PrPb filter enabled. Active video edge control enabled. |
| 0x8A       | 0x0C    | Timing Mode 2 (slave). HSYNC/VSYNC synchronization.  |



Table 79. 16-Bit 625i YCrCb In, YPrPb and CVBS/Y-C Out

| Subaddress | Setting | Description  |
|------------|---------|--|
| 0x17       | 0x02    | Software reset.  |
| 0x00       | 0xFC    | All DACs enabled. PLL enabled (16x).   |
| 0x01       | 0x00    | SD input mode.   |
| 0x80       | 0x11    | PAL standard. SSAF luma filter enabled. 1.3 MHz chroma filter enabled.                                 |
| 0x82       | 0xC1    | Pixel data valid. YPrPb and CVBS/Y-C out. SSAF PrPb filter enabled. Active video edge control enabled. |
| 0x88       | 0x08    | 16-bit input enabled.  |
| 0x8A       | 0x0C    | Timing Mode 2 (slave). HSYNC/VSYNC synchronization.  |

Table 80. 16-Bit 625i YCrCb In, RGB and CVBS/Y-C Out

| Subaddress | Setting | Description  |
|------------|---------|--|
| 0x17       | 0x02    | Software reset.  |
| 0x00       | 0xFC    | All DACs enabled. PLL enabled (16x).   |
| 0x01       | 0x00    | SD input mode.   |
| 0x02       | 0x10    | RGB output enabled. RGB output sync enabled.   |
| 0x80       | 0x11    | PAL standard. SSAF luma filter enabled. 1.3 MHz chroma filter enabled.                               |
| 0x82       | 0xC1    | Pixel data valid. RGB and CVBS/Y-C out. SSAF PrPb filter enabled. Active video edge control enabled. |
| 0x88       | 0x08    | 16-bit input enabled.  |
| 0x8A       | 0x0C    | Timing Mode 2 (slave). HSYNC/VSYNC synchronization.  |

Table 81. 24-Bit 625i RGB In, YPrPb and CVBS/Y-C Out

| Subaddress | Setting | Description  |
|------------|---------|--|
| 0x17       | 0x02    | Software reset.  |
| 0x00       | 0xFC    | All DACs enabled. PLL enabled (16x).   |
| 0x01       | 0x00    | SD input mode.   |
| 0x80       | 0x11    | PAL standard. SSAF luma filter enabled. 1.3 MHz chroma filter enabled.                                 |
| 0x82       | 0xC1    | Pixel data valid. YPrPb and CVBS/Y-C out. SSAF PrPb filter enabled. Active video edge control enabled. |
| 0x87       | 0x80    | RGB input enabled.   |
| 0x88       | 0x10    | 24-Bit RGB input enabled   |
| 0x8A       | 0x0C    | Timing Mode 2 (slave). HSYNC/VSYNC synchronization.  |

Table 82. 24-Bit 625i RGB In, RGB and CVBS/Y-C Out

| Subaddress | Setting | Description  |
|------------|---------|--|
| 0x17       | 0x02    | Software reset.  |
| 0x00       | 0xFC    | All DACs enabled. PLL enabled (16x).   |
| 0x01       | 0x00    | SD input mode.   |
| 0x02       | 0x10    | RGB output enabled. RGB output sync enabled.   |
| 0x80       | 0x11    | PAL standard. SSAF luma filter enabled. 1.3 MHz chroma filter enabled.                               |
| 0x82       | 0xC1    | Pixel data valid. RGB and CVBS/Y-C out. SSAF PrPb filter enabled. Active video edge control enabled. |
| 0x87       | 0x80    | RGB input enabled.   |
| 0x88       | 0x10    | 24-bit RGB input enabled   |
| 0x8A       | 0x0C    | Timing Mode 2 (slave). HSYNC/VSYNC synchronization.  |

Table 83. 8-Bit PAL Square Pixel YCrCb In (EAV/SAV), CVBS/Y-C Out

| Subaddress | Setting | Description   |
|------------|---------|---|
| 0x17       | 0x02    | Software reset.   |
| 0x00       | 0x1C    | All DACs enabled. PLL enabled (16x).  |
| 0x01       | 0x00    | SD input mode.  |
| 0x80       | 0x11    | PAL standard. SSAF luma filter enabled. 1.3 MHz chroma filter enabled.  |
| 0x82       | 0xD3    | Pixel data valid. CVBS/Y-C (S-Video) out. SSAF PrPb filter enabled. Active video edge control enabled. Square pixel mode enabled. |
| 0x8C       | 0x0C    | Subcarrier frequency register values for CVBS and/or S-Video (Y-C) output in PAL square pixel mode (29.5 MHz input clock).        |
| 0x8D       | 0x8C    |   |
| 0x8E       | 0x79    |   |
| 0x8F       | 0x26    |   |

Table 84. 16-Bit PAL Square Pixel RGB In, CVBS/Y-C Out

| Subaddress | Setting | Description   |
|------------|---------|---|
| 0x17       | 0x02    | Software reset.   |
| 0x00       | 0x1C    | All DACs enabled. PLL enabled (16x).  |
| 0x01       | 0x00    | SD input mode.  |
| 0x80       | 0x11    | PAL standard. SSAF luma filter enabled. 1.3 MHz chroma filter enabled.  |
| 0x82       | 0xD3    | Pixel data valid. CVBS/Y-C (S-Video) out. SSAF PrPb filter enabled. Active video edge control enabled. Square pixel mode enabled. |
| 0x87       | 0x80    | RGB input enabled.  |
| 0x88       | 0x10    | 16-bit RGB input enabled.   |
| 0x8A       | 0x0C    | Timing Mode 2 (slave). HSYNC/VSYNC synchronization.   |
| 0x8C       | 0x0C    | Subcarrier frequency register values for CVBS and/or S-Video (Y-C) output in PAL square pixel mode (29.5 MHz input clock).        |
| 0x8D       | 0x8C    |   |
| 0x8E       | 0x79    |   |
| 0x8F       | 0x26    |   |

ENHANCED DEFINITION

Table 85. ED Configuration Scripts

| Input Format     | Input Data Width <sup>1</sup> | Synchronization Format | Input Color Space | Output Color Space | Table Number |
|------------------|-------------------------------|------------------------|-------------------|--------------------|--------------|
| 525p at 59.94 Hz | 8-bit DDR                     | EAV/SAV                | YCrCb             | YPrPb              | Table 86     |
| 525p at 59.94 Hz | 8-bit DDR                     | HSYNC/VSYNC            | YCrCb             | YPrPb              | Table 87     |
| 525p at 59.94 Hz | 8-bit DDR                     | EAV/SAV                | YCrCb             | RGB                | Table 88     |
| 525p at 59.94 Hz | 16-bit SDR                    | EAV/SAV                | YCrCb             | YPrPb              | Table 89     |
| 525p at 59.94 Hz | 16-bit SDR                    | HSYNC/VSYNC            | YCrCb             | YPrPb              | Table 90     |
| 525p at 59.94 Hz | 16-bit SDR                    | EAV/SAV                | YCrCb             | RGB                | Table 91     |
| 525p at 59.94 Hz | 16-bit SDR                    | HSYNC/VSYNC            | YCrCb             | RGB                | Table 92     |
| 525p at 59.94 Hz | 24-bit SDR                    | EAV/SAV                | YCrCb             | YPrPb              | Table 93     |
| 525p at 59.94 Hz | 24-bit SDR                    | HSYNC/VSYNC            | YCrCb             | YPrPb              | Table 94     |
| 525p at 59.94 Hz | 24-bit SDR                    | EAV/SAV                | YCrCb             | RGB                | Table 95     |
| 525p at 59.94 Hz | 24-bit SDR                    | HSYNC/VSYNC            | YCrCb             | RGB                | Table 96     |
| 525p at 59.94 Hz | 24-bit SDR                    | HSYNC/VSYNC            | RGB               | RGB                | Table 97     |
| 625p at 50 Hz    | 8-bit DDR                     | EAV/SAV                | YCrCb             | YPrPb              | Table 98     |
| 625p at 50 Hz    | 8-bit DDR                     | HSYNC/VSYNC            | YCrCb             | YPrPb              | Table 99     |
| 625p at 50 Hz    | 8-bit DDR                     | EAV/SAV                | YCrCb             | RGB                | Table 100    |
| 625p at 50 Hz    | 8-bit DDR                     | HSYNC/VSYNC            | YCrCb             | RGB                | Table 101    |
| 625p at 50 Hz    | 16-bit SDR                    | EAV/SAV                | YCrCb             | YPrPb              | Table 102    |
| 625p at 50 Hz    | 16-bit SDR                    | HSYNC/VSYNC            | YCrCb             | YPrPb              | Table 103    |
| 625p at 50 Hz    | 16-bit SDR                    | EAV/SAV                | YCrCb             | RGB                | Table 104    |
| 625p at 50 Hz    | 16-bit SDR                    | HSYNC/VSYNC            | YCrCb             | RGB                | Table 105    |
| 625p at 50 Hz    | 24-bit SDR                    | EAV/SAV                | YCrCb             | YPrPb              | Table 106    |
| 625p at 50 Hz    | 24-bit SDR                    | HSYNC/VSYNC            | YCrCb             | YPrPb              | Table 107    |
| 625p at 50 Hz    | 24-bit SDR                    | EAV/SAV                | YCrCb             | RGB                | Table 108    |
| 625p at 50 Hz    | 24-bit SDR                    | HSYNC/VSYNC            | YCrCb             | RGB                | Table 109    |
| 625p at 50 Hz    | 24-bit SDR                    | HSYNC/VSYNC            | RGB               | RGB                | Table 110    |

<sup>1</sup> SDR = single data rate; DDR = dual data rate.

Table 86. 8-Bit 525p YCrCb In (EAV/SAV), YPrPb Out

| Subaddress | Setting | Description   |
|------------|---------|---|
| 0x17       | 0x02    | Software reset.   |
| 0x00       | 0x1C    | All DACs enabled. PLL enabled (8x).                                 |
| 0x01       | 0x20    | ED-DDR input mode. Luma data clocked on falling edge of CLKIN.      |
| 0x30       | 0x04    | 525p at 59.94 Hz. EAV/SAV synchronization. EIA-770.2 output levels. |
| 0x31       | 0x01    | Pixel data valid.   |

Table 87. 8-Bit 525p YCrCb In, YPrPb Out

| Subaddress | Setting | Description   |
|------------|---------|---|
| 0x17       | 0x02    | Software reset.   |
| 0x00       | 0x1C    | All DACs enabled. PLL enabled (8x).                                     |
| 0x01       | 0x20    | ED-DDR input mode. Luma data clocked on falling edge of CLKIN.          |
| 0x30       | 0x00    | 525p at 59.94 Hz. HSYNC/VSYNC synchronization. EIA-770.2 output levels. |
| 0x31       | 0x01    | Pixel data valid.   |

Table 88. 8-Bit 525p YCrCb In (EAV/SAV), RGB Out

| Subaddress | Setting | Description   |
|------------|---------|---|
| 0x17       | 0x02    | Software reset.   |
| 0x00       | 0x1C    | All DACs enabled. PLL enabled (8x).                                 |
| 0x01       | 0x20    | ED-DDR input mode. Luma data clocked on falling edge of CLKIN.      |
| 0x02       | 0x10    | RGB output enabled. RGB output sync enabled.                        |
| 0x30       | 0x04    | 525p at 59.94 Hz. EAV/SAV synchronization. EIA-770.2 output levels. |
| 0x31       | 0x01    | Pixel data valid.   |

Table 89. 16-Bit 525p YCrCb In (EAV/SAV), YPrPb Out

| Subaddress | Setting | Description   |
|------------|---------|---|
| 0x17       | 0x02    | Software reset.   |
| 0x00       | 0x1C    | All DACs enabled. PLL enabled (8x).                                 |
| 0x01       | 0x10    | ED-SDR input mode.  |
| 0x30       | 0x04    | 525p at 59.94 Hz. EAV/SAV synchronization. EIA-770.2 output levels. |
| 0x31       | 0x01    | Pixel data valid.   |

Table 90. 16-Bit 525p YCrCb In, YPrPb Out

| Subaddress | Setting | Description   |
|------------|---------|---|
| 0x17       | 0x02    | Software reset.   |
| 0x00       | 0x1C    | All DACs enabled. PLL enabled (8×).                                     |
| 0x01       | 0x10    | ED-SDR input mode.  |
| 0x30       | 0x00    | 525p at 59.94 Hz. HSYNC/VSYNC synchronization. EIA-770.2 output levels. |
| 0x31       | 0x01    | Pixel data valid.   |

Table 91. 16-Bit 525p YCrCb In (EAV/SAV), RGB Out

| Subaddress | Setting | Description   |
|------------|---------|---|
| 0x17       | 0x02    | Software reset.   |
| 0x00       | 0x1C    | All DACs enabled. PLL enabled (8×).                                 |
| 0x01       | 0x10    | ED-SDR input mode.  |
| 0x02       | 0x10    | RGB output enabled. RGB output sync enabled.                        |
| 0x30       | 0x04    | 525p at 59.94 Hz. EAV/SAV synchronization. EIA-770.2 output levels. |
| 0x31       | 0x01    | Pixel data valid.   |

Table 92. 16-Bit 525p YCrCb In, RGB Out

| Subaddress | Setting | Description   |
|------------|---------|---|
| 0x17       | 0x02    | Software reset.   |
| 0x00       | 0x1C    | All DACs enabled. PLL enabled (8×).                                     |
| 0x01       | 0x10    | ED-SDR input mode.  |
| 0x02       | 0x10    | RGB output enabled. RGB output sync enabled.                            |
| 0x30       | 0x00    | 525p at 59.94 Hz. HSYNC/VSYNC synchronization. EIA-770.2 output levels. |
| 0x31       | 0x01    | Pixel data valid.   |

Table 93. 24-Bit 525p YCrCb In (EAV/SAV), YPrPb Out

| Subaddress | Setting | Description   |
|------------|---------|---|
| 0x17       | 0x02    | Software reset.   |
| 0x00       | 0x1C    | All DACs enabled. PLL enabled (8×).                                 |
| 0x01       | 0x10    | ED-SDR input mode.  |
| 0x30       | 0x04    | 525p at 59.94 Hz. EAV/SAV synchronization. EIA-770.2 output levels. |
| 0x31       | 0x01    | Pixel data valid.   |
| 0x33       | 0x28    | 4:4:4 input data.   |

Table 94. 24-Bit 525p YCrCb In, YPrPb Out

| Subaddress | Setting | Description   |
|------------|---------|---|
| 0x17       | 0x02    | Software reset.   |
| 0x00       | 0x1C    | All DACs enabled. PLL enabled (8×).                                     |
| 0x01       | 0x10    | ED-SDR input mode.  |
| 0x30       | 0x00    | 525p at 59.94 Hz. HSYNC/VSYNC synchronization. EIA-770.2 output levels. |
| 0x31       | 0x01    | Pixel data valid.   |
| 0x33       | 0x28    | 4:4:4 input data.   |

Table 95. 24-Bit 525p YCrCb In (EAV/SAV), RGB Out

| Subaddress | Setting | Description   |
|------------|---------|---|
| 0x17       | 0x02    | Software reset.   |
| 0x00       | 0x1C    | All DACs enabled. PLL enabled (8×).                                 |
| 0x01       | 0x10    | ED-SDR input mode.  |
| 0x02       | 0x10    | RGB output enabled. RGB output sync enabled.                        |
| 0x30       | 0x04    | 525p at 59.94 Hz. EAV/SAV synchronization. EIA-770.2 output levels. |
| 0x31       | 0x01    | Pixel data valid.   |
| 0x33       | 0x28    | 4:4:4 input data.   |

Table 96. 24-Bit 525p YCrCb In, RGB Out

| Subaddress | Setting | Description   |
|------------|---------|---|
| 0x17       | 0x02    | Software reset.   |
| 0x00       | 0x1C    | All DACs enabled. PLL enabled (8×).                                     |
| 0x01       | 0x10    | ED-SDR input mode.  |
| 0x02       | 0x10    | RGB output enabled. RGB output sync enabled.                            |
| 0x30       | 0x00    | 525p at 59.94 Hz. HSYNC/VSYNC synchronization. EIA-770.2 output levels. |
| 0x31       | 0x01    | Pixel data valid.   |
| 0x33       | 0x28    | 4:4:4 input data.   |

Table 97. 24-Bit 525p RGB In, RGB Out

| Subaddress | Setting | Description   |
|------------|---------|---|
| 0x17       | 0x02    | Software reset.   |
| 0x00       | 0x1C    | All DACs enabled. PLL enabled (8×).                                     |
| 0x01       | 0x10    | ED-SDR input mode.  |
| 0x02       | 0x10    | RGB output enabled. RGB output sync enabled.                            |
| 0x30       | 0x00    | 525p at 59.94 Hz. HSYNC/VSYNC synchronization. EIA-770.2 output levels. |
| 0x31       | 0x01    | Pixel data valid.   |
| 0x33       | 0x28    | 4:4:4 input data.   |
| 0x35       | 0x02    | RGB input enabled.  |

Table 98. 8-Bit 625p YCrCb In (EAV/SAV), YPrPb Out

| Subaddress | Setting | Description  |
|------------|---------|--|
| 0x17       | 0x02    | Software reset.  |
| 0x00       | 0x1C    | All DACs enabled. PLL enabled (8×).                              |
| 0x01       | 0x20    | ED-DDR input mode. Luma data clocked on falling edge of CLKIN.   |
| 0x30       | 0x1C    | 625p at 50 Hz. EAV/SAV synchronization. EIA-770.2 output levels. |
| 0x31       | 0x01    | Pixel data valid.  |

Table 99. 8-Bit 625p YCrCb In, YPrPb Out

| Subaddress | Setting | Description  |
|------------|---------|--|
| 0x17       | 0x02    | Software reset.  |
| 0x00       | 0x1C    | All DACs enabled. PLL enabled (8x).                                  |
| 0x01       | 0x20    | ED-DDR input mode. Luma data clocked on falling edge of CLKIN.       |
| 0x30       | 0x18    | 625p at 50 Hz. HSYNC/VSYNC synchronization. EIA-770.2 output levels. |
| 0x31       | 0x01    | Pixel data valid.  |

Table 100. 8-Bit 625p YCrCb In (EAV/SAV), RGB Out

| Subaddress | Setting | Description  |
|------------|---------|--|
| 0x17       | 0x02    | Software reset.  |
| 0x00       | 0x1C    | All DACs enabled. PLL enabled (8x).                              |
| 0x01       | 0x20    | ED-DDR input mode. Luma data clocked on falling edge of CLKIN.   |
| 0x02       | 0x10    | RGB output enabled. RGB output sync enabled.                     |
| 0x30       | 0x1C    | 625p at 50 Hz. EAV/SAV synchronization. EIA-770.2 output levels. |
| 0x31       | 0x01    | Pixel data valid.  |

Table 101. 8-Bit 625p YCrCb In, RGB Out

| Subaddress | Setting | Description  |
|------------|---------|--|
| 0x17       | 0x02    | Software reset.  |
| 0x00       | 0x1C    | All DACs enabled. PLL enabled (8x).                                  |
| 0x01       | 0x20    | ED-DDR input mode. Luma data clocked on falling edge of CLKIN.       |
| 0x02       | 0x10    | RGB output enabled. RGB output sync enabled.                         |
| 0x30       | 0x18    | 625p at 50 Hz. HSYNC/VSYNC synchronization. EIA-770.2 output levels. |
| 0x31       | 0x01    | Pixel data valid.  |

Table 102. 16-Bit 625p YCrCb In (EAV/SAV), YPrPb Out

| Subaddress | Setting | Description  |
|------------|---------|--|
| 0x17       | 0x02    | Software reset.  |
| 0x00       | 0x1C    | All DACs enabled. PLL enabled (8x).                              |
| 0x01       | 0x10    | ED-SDR input mode.   |
| 0x30       | 0x1C    | 625p at 50 Hz. EAV/SAV synchronization. EIA-770.2 output levels. |
| 0x31       | 0x01    | Pixel data valid.  |

Table 103. 16-Bit 625p YCrCb In, YPrPb Out

| Subaddress | Setting | Description  |
|------------|---------|--|
| 0x17       | 0x02    | Software reset.  |
| 0x00       | 0x1C    | All DACs enabled. PLL enabled (8x).                                  |
| 0x01       | 0x10    | ED-SDR input mode.   |
| 0x30       | 0x18    | 625p at 50 Hz. HSYNC/VSYNC synchronization. EIA-770.2 output levels. |
| 0x31       | 0x01    | Pixel data valid.  |

Table 104. 16-Bit 625p YCrCb In (EAV/SAV), RGB Out

| Subaddress | Setting | Description  |
|------------|---------|--|
| 0x17       | 0x02    | Software reset.  |
| 0x00       | 0x1C    | All DACs enabled. PLL enabled (8x).                              |
| 0x01       | 0x10    | ED-SDR input mode.   |
| 0x02       | 0x10    | RGB output enabled. RGB output sync enabled.                     |
| 0x30       | 0x1C    | 625p at 50 Hz. EAV/SAV synchronization. EIA-770.2 output levels. |
| 0x31       | 0x01    | Pixel data valid.  |

Table 105. 16-Bit 625p YCrCb In, RGB Out

| Subaddress | Setting | Description  |
|------------|---------|--|
| 0x17       | 0x02    | Software reset.  |
| 0x00       | 0x1C    | All DACs enabled. PLL enabled (8x).                                  |
| 0x01       | 0x10    | ED-SDR input mode.   |
| 0x02       | 0x10    | RGB output enabled. RGB output sync enabled.                         |
| 0x30       | 0x18    | 625p at 50 Hz. HSYNC/VSYNC synchronization. EIA-770.2 output levels. |
| 0x31       | 0x01    | Pixel data valid.  |

Table 106. 24-Bit 625p YCrCb In (EAV/SAV), YPrPb Out

| Subaddress | Setting | Description  |
|------------|---------|--|
| 0x17       | 0x02    | Software reset.  |
| 0x00       | 0x1C    | All DACs enabled. PLL enabled (8x).                              |
| 0x01       | 0x10    | ED-SDR input mode.   |
| 0x30       | 0x1C    | 625p at 50 Hz. EAV/SAV synchronization. EIA-770.2 output levels. |
| 0x31       | 0x01    | Pixel data valid.  |
| 0x33       | 0x28    | 4:4:4 input data.  |

Table 107. 24-Bit 625p YCrCb In, YPrPb Out

| Subaddress | Setting | Description  |
|------------|---------|--|
| 0x17       | 0x02    | Software reset.  |
| 0x00       | 0x1C    | All DACs enabled. PLL enabled (8x).                                  |
| 0x01       | 0x10    | ED-SDR input mode.   |
| 0x30       | 0x18    | 625p at 50 Hz. HSYNC/VSYNC synchronization. EIA-770.2 output levels. |
| 0x31       | 0x01    | Pixel data valid.  |
| 0x33       | 0x28    | 4:4:4 input data.  |

Table 108. 24-Bit 625p YCrCb In (EAV/SAV), RGB Out

| Subaddress | Setting | Description  |
|------------|---------|--|
| 0x17       | 0x02    | Software reset.  |
| 0x00       | 0x1C    | All DACs enabled. PLL enabled (8x).                              |
| 0x01       | 0x10    | ED-SDR input mode.   |
| 0x02       | 0x10    | RGB output enabled. RGB output sync enabled.                     |
| 0x30       | 0x1C    | 625p at 50 Hz. EAV/SAV synchronization. EIA-770.2 output levels. |
| 0x31       | 0x01    | Pixel data valid.  |
| 0x33       | 0x28    | 4:4:4 input data.  |

Table 109. 24-Bit 625p YCrCb In, RGB Out

| Subaddress | Setting | Description  |
|------------|---------|--|
| 0x17       | 0x02    | Software reset.  |
| 0x00       | 0x1C    | All DACs enabled. PLL enabled (8x).  |
| 0x01       | 0x10    | ED-SDR input mode.   |
| 0x02       | 0x10    | RGB output enabled. RGB output sync enabled.   |
| 0x30       | 0x18    | 625p at 50 Hz. $\overline{\text{HSYNC}}/\overline{\text{VSYNC}}$ synchronization. EIA-770.2 output levels. |
| 0x31       | 0x01    | Pixel data valid.  |
| 0x33       | 0x28    | 4:4:4 input data.  |

Table 110. 24-Bit 625p RGB In, RGB Out

| Subaddress | Setting | Description  |
|------------|---------|--|
| 0x17       | 0x02    | Software reset.  |
| 0x00       | 0x1C    | All DACs enabled. PLL enabled (8x).  |
| 0x01       | 0x10    | ED-SDR input mode.   |
| 0x02       | 0x10    | RGB output enabled. RGB output sync enabled.   |
| 0x30       | 0x18    | 625p at 50 Hz. $\overline{\text{HSYNC}}/\overline{\text{VSYNC}}$ synchronization. EIA-770.2 output levels. |
| 0x31       | 0x01    | Pixel data valid.  |
| 0x33       | 0x28    | 4:4:4 input data.  |
| 0x35       | 0x02    | RGB input enabled.   |

## HIGH DEFINITION

Table 111. HD Configuration Scripts

| Input Format            | Input Data Width <sup>1</sup> | Synchronization Format                            | Input Color Space | Output Color Space | Table Number |
|-------------------------|-------------------------------|---|-------------------|--------------------|--------------|
| 720p at 60 Hz/59.94 Hz  | 8-bit DDR                     | $\overline{\text{EAV}}/\overline{\text{SAV}}$     | YCrCb             | YPrPb              | Table 112    |
| 720p at 60 Hz/59.94 Hz  | 8-bit DDR                     | $\overline{\text{HSYNC}}/\overline{\text{VSYNC}}$ | YCrCb             | YPrPb              | Table 113    |
| 720p at 60 Hz/59.94 Hz  | 8-bit DDR                     | $\overline{\text{EAV}}/\overline{\text{SAV}}$     | YCrCb             | RGB                | Table 114    |
| 720p at 60 Hz/59.94 Hz  | 8-bit DDR                     | $\overline{\text{HSYNC}}/\overline{\text{VSYNC}}$ | YCrCb             | RGB                | Table 115    |
| 720p at 60 Hz/59.94 Hz  | 16-bit SDR                    | $\overline{\text{EAV}}/\overline{\text{SAV}}$     | YCrCb             | YPrPb              | Table 116    |
| 720p at 60 Hz/59.94 Hz  | 16-bit SDR                    | $\overline{\text{HSYNC}}/\overline{\text{VSYNC}}$ | YCrCb             | YPrPb              | Table 117    |
| 720p at 60 Hz/59.94 Hz  | 16-bit SDR                    | $\overline{\text{EAV}}/\overline{\text{SAV}}$     | YCrCb             | RGB                | Table 118    |
| 720p at 60 Hz/59.94 Hz  | 16-bit SDR                    | $\overline{\text{HSYNC}}/\overline{\text{VSYNC}}$ | YCrCb             | RGB                | Table 119    |
| 720p at 60 Hz/59.94 Hz  | 24-bit SDR                    | $\overline{\text{EAV}}/\overline{\text{SAV}}$     | YCrCb             | YPrPb              | Table 120    |
| 720p at 60 Hz/59.94 Hz  | 24-bit SDR                    | $\overline{\text{HSYNC}}/\overline{\text{VSYNC}}$ | YCrCb             | YPrPb              | Table 121    |
| 720p at 60 Hz/59.94 Hz  | 24-bit SDR                    | $\overline{\text{EAV}}/\overline{\text{SAV}}$     | YCrCb             | RGB                | Table 122    |
| 720p at 60 Hz/59.94 Hz  | 24-bit SDR                    | $\overline{\text{HSYNC}}/\overline{\text{VSYNC}}$ | YCrCb             | RGB                | Table 123    |
| 720p at 60 Hz/59.94 Hz  | 24-bit SDR                    | $\overline{\text{HSYNC}}/\overline{\text{VSYNC}}$ | RGB               | RGB                | Table 124    |
| 1080i at 30 Hz/29.97 Hz | 8-bit DDR                     | $\overline{\text{EAV}}/\overline{\text{SAV}}$     | YCrCb             | YPrPb              | Table 125    |
| 1080i at 30 Hz/29.97 Hz | 8-bit DDR                     | $\overline{\text{HSYNC}}/\overline{\text{VSYNC}}$ | YCrCb             | YPrPb              | Table 126    |
| 1080i at 30 Hz/29.97 Hz | 8-bit DDR                     | $\overline{\text{EAV}}/\overline{\text{SAV}}$     | YCrCb             | RGB                | Table 127    |
| 1080i at 30 Hz/29.97 Hz | 8-bit DDR                     | $\overline{\text{HSYNC}}/\overline{\text{VSYNC}}$ | YCrCb             | RGB                | Table 128    |
| 1080i at 30 Hz/29.97 Hz | 16-bit SDR                    | $\overline{\text{EAV}}/\overline{\text{SAV}}$     | YCrCb             | YPrPb              | Table 129    |
| 1080i at 30 Hz/29.97 Hz | 16-bit SDR                    | $\overline{\text{HSYNC}}/\overline{\text{VSYNC}}$ | YCrCb             | YPrPb              | Table 130    |
| 1080i at 30 Hz/29.97 Hz | 16-bit SDR                    | $\overline{\text{EAV}}/\overline{\text{SAV}}$     | YCrCb             | RGB                | Table 131    |
| 1080i at 30 Hz/29.97 Hz | 16-bit SDR                    | $\overline{\text{HSYNC}}/\overline{\text{VSYNC}}$ | YCrCb             | RGB                | Table 132    |
| 1080i at 30 Hz/29.97 Hz | 24-bit SDR                    | $\overline{\text{EAV}}/\overline{\text{SAV}}$     | YCrCb             | YPrPb              | Table 133    |
| 1080i at 30 Hz/29.97 Hz | 24-bit SDR                    | $\overline{\text{HSYNC}}/\overline{\text{VSYNC}}$ | YCrCb             | YPrPb              | Table 134    |
| 1080i at 30 Hz/29.97 Hz | 24-bit SDR                    | $\overline{\text{EAV}}/\overline{\text{SAV}}$     | YCrCb             | RGB                | Table 135    |
| 1080i at 30 Hz/29.97 Hz | 24-bit SDR                    | $\overline{\text{HSYNC}}/\overline{\text{VSYNC}}$ | YCrCb             | RGB                | Table 136    |
| 1080i at 30 Hz/29.97 Hz | 24-bit SDR                    | $\overline{\text{HSYNC}}/\overline{\text{VSYNC}}$ | RGB               | RGB                | Table 137    |

<sup>1</sup> SDR = single data rate; DDR = dual data rate.

**Table 112. 8-Bit 720p YCrCb In (EAV/SAV), YPrPb Out**

| Subaddress | Setting | Description   |
|------------|---------|---|
| 0x17       | 0x02    | Software reset.   |
| 0x00       | 0x1C    | All DACs enabled. PLL enabled (4x).                                       |
| 0x01       | 0x20    | HD-DDR input mode. Luma data clocked on falling edge of CLKIN.            |
| 0x30       | 0x2C    | 720p at 60 Hz/59.94 Hz. EAV/SAV synchronization. EIA-770.3 output levels. |
| 0x31       | 0x01    | Pixel data valid. 4x oversampling.  |

**Table 113. 8-Bit 720p YCrCb In, YPrPb Out**

| Subaddress | Setting | Description   |
|------------|---------|---|
| 0x17       | 0x02    | Software reset.   |
| 0x00       | 0x1C    | All DACs enabled. PLL enabled (4x).   |
| 0x01       | 0x20    | HD-DDR input mode. Luma data clocked on falling edge of CLKIN.                |
| 0x30       | 0x28    | 720p at 60 Hz/59.94 Hz. HSYNC/VSYNC synchronization. EIA-770.3 output levels. |
| 0x31       | 0x01    | Pixel data valid. 4x oversampling.  |

**Table 114. 8-Bit 720p YCrCb In (EAV/SAV), RGB Out**

| Subaddress | Setting | Description   |
|------------|---------|---|
| 0x17       | 0x02    | Software reset.   |
| 0x00       | 0x1C    | All DACs enabled. PLL enabled (4x).                                       |
| 0x01       | 0x20    | HD-DDR input mode. Luma data clocked on falling edge of CLKIN.            |
| 0x02       | 0x10    | RGB output enabled. RGB output sync enabled.                              |
| 0x30       | 0x2C    | 720p at 60 Hz/59.94 Hz. EAV/SAV synchronization. EIA-770.3 output levels. |
| 0x31       | 0x01    | Pixel data valid. 4x oversampling.  |

**Table 115. 8-Bit 720p YCrCb In, RGB Out**

| Subaddress | Setting | Description   |
|------------|---------|---|
| 0x17       | 0x02    | Software reset.   |
| 0x00       | 0x1C    | All DACs enabled. PLL enabled (4x).   |
| 0x01       | 0x20    | HD-DDR input mode. Luma data clocked on falling edge of CLKIN.                |
| 0x02       | 0x10    | RGB output enabled. RGB output sync enabled.                                  |
| 0x30       | 0x28    | 720p at 60 Hz/59.94 Hz. HSYNC/VSYNC synchronization. EIA-770.3 output levels. |
| 0x31       | 0x01    | Pixel data valid. 4x oversampling.  |

**Table 116. 16-Bit 720p YCrCb In (EAV/SAV), YPrPb Out**

| Subaddress | Setting | Description   |
|------------|---------|---|
| 0x17       | 0x02    | Software reset.   |
| 0x00       | 0x1C    | All DACs enabled. PLL enabled (4x).                                       |
| 0x01       | 0x10    | HD-SDR input mode.  |
| 0x30       | 0x2C    | 720p at 60 Hz/59.94 Hz. EAV/SAV synchronization. EIA-770.3 output levels. |
| 0x31       | 0x01    | Pixel data valid. 4x oversampling.  |

**Table 117. 16-Bit 720p YCrCb In, YPrPb Out**

| Subaddress | Setting | Description   |
|------------|---------|---|
| 0x17       | 0x02    | Software reset.   |
| 0x00       | 0x1C    | All DACs enabled. PLL enabled (4x).   |
| 0x01       | 0x10    | HD-SDR input mode.  |
| 0x30       | 0x28    | 720p at 60 Hz/59.94 Hz. HSYNC/VSYNC synchronization. EIA-770.3 output levels. |
| 0x31       | 0x01    | Pixel data valid. 4x oversampling.  |

**Table 118. 16-Bit 720p YCrCb In (EAV/SAV), RGB Out**

| Subaddress | Setting | Description   |
|------------|---------|---|
| 0x17       | 0x02    | Software reset.   |
| 0x00       | 0x1C    | All DACs enabled. PLL enabled (4x).                                       |
| 0x01       | 0x10    | HD-SDR input mode.  |
| 0x02       | 0x10    | RGB output enabled. RGB output sync enabled.                              |
| 0x30       | 0x2C    | 720p at 60 Hz/59.94 Hz. EAV/SAV synchronization. EIA-770.3 output levels. |
| 0x31       | 0x01    | Pixel data valid. 4x oversampling.  |

**Table 119. 16-Bit 720p YCrCb In, RGB Out**

| Subaddress | Setting | Description   |
|------------|---------|---|
| 0x17       | 0x02    | Software reset.   |
| 0x00       | 0x1C    | All DACs enabled. PLL enabled (4x).   |
| 0x01       | 0x10    | HD-SDR input mode.  |
| 0x02       | 0x10    | RGB output enabled. RGB output sync enabled.                                  |
| 0x30       | 0x28    | 720p at 60 Hz/59.94 Hz. HSYNC/VSYNC synchronization. EIA-770.3 output levels. |
| 0x31       | 0x01    | Pixel data valid. 4x oversampling.  |

Table 120. 24-Bit 720p YCrCb In (EAV/SAV), YPrPb Out

| Subaddress | Setting | Description   |
|------------|---------|---|
| 0x17       | 0x02    | Software reset.   |
| 0x00       | 0x1C    | All DACs enabled. PLL enabled (4x).                                       |
| 0x01       | 0x10    | HD-SDR input mode.  |
| 0x30       | 0x2C    | 720p at 60 Hz/59.94 Hz. EAV/SAV synchronization. EIA-770.3 output levels. |
| 0x31       | 0x01    | Pixel data valid. 4x oversampling.  |
| 0x33       | 0x28    | 4:4:4 input data.   |

Table 121. 24-Bit 720p YCrCb In, YPrPb Out

| Subaddress | Setting | Description   |
|------------|---------|---|
| 0x17       | 0x02    | Software reset.   |
| 0x00       | 0x1C    | All DACs enabled. PLL enabled (4x).   |
| 0x01       | 0x10    | HD-SDR input mode.  |
| 0x30       | 0x28    | 720p at 60 Hz/59.94 Hz. HSYNC/VSYNC synchronization. EIA-770.3 output levels. |
| 0x31       | 0x01    | Pixel data valid. 4x oversampling.  |
| 0x33       | 0x28    | 4:4:4 input data.   |

Table 122. 24-Bit 720p YCrCb In (EAV/SAV), RGB Out

| Subaddress | Setting | Description   |
|------------|---------|---|
| 0x17       | 0x02    | Software reset.   |
| 0x00       | 0x1C    | All DACs enabled. PLL enabled (4x).                                       |
| 0x01       | 0x10    | HD-SDR input mode.  |
| 0x02       | 0x10    | RGB output enabled. RGB output sync enabled.                              |
| 0x30       | 0x2C    | 720p at 60 Hz/59.94 Hz. EAV/SAV synchronization. EIA-770.3 output levels. |
| 0x31       | 0x01    | Pixel data valid. 4x oversampling.  |
| 0x33       | 0x28    | 4:4:4 input data.   |

Table 123. 24-Bit 720p YCrCb In, RGB Out

| Subaddress | Setting | Description   |
|------------|---------|---|
| 0x17       | 0x02    | Software reset.   |
| 0x00       | 0x1C    | All DACs enabled. PLL enabled (4x).   |
| 0x01       | 0x10    | HD-SDR input mode.  |
| 0x02       | 0x10    | RGB output enabled. RGB output sync enabled.                                  |
| 0x30       | 0x28    | 720p at 60 Hz/59.94 Hz. HSYNC/VSYNC synchronization. EIA-770.3 output levels. |
| 0x31       | 0x01    | Pixel data valid. 4x oversampling.  |
| 0x33       | 0x28    | 4:4:4 input data.   |

Table 124. 24-Bit 720p RGB In, RGB Out

| Subaddress | Setting | Description   |
|------------|---------|---|
| 0x17       | 0x02    | Software reset.   |
| 0x00       | 0x1C    | All DACs enabled. PLL enabled (4x).   |
| 0x01       | 0x10    | HD-SDR input mode.  |
| 0x02       | 0x10    | RGB output enabled. RGB output sync enabled.                                  |
| 0x30       | 0x28    | 720p at 60 Hz/59.94 Hz. HSYNC/VSYNC synchronization. EIA-770.3 output levels. |
| 0x31       | 0x01    | Pixel data valid. 4x oversampling.  |
| 0x33       | 0x28    | 4:4:4 input data.   |
| 0x35       | 0x02    | RGB input enabled.  |

Table 125. 8-Bit 1080i YCrCb In (EAV/SAV), YPrPb Out

| Subaddress | Setting | Description  |
|------------|---------|--|
| 0x17       | 0x02    | Software reset.  |
| 0x00       | 0x1C    | All DACs enabled. PLL enabled (4x).  |
| 0x01       | 0x20    | HD-DDR input mode. Luma data clocked on falling edge of CLKIN.             |
| 0x30       | 0x6C    | 1080i at 30 Hz/29.97 Hz. EAV/SAV synchronization. EIA-770.3 output levels. |
| 0x31       | 0x01    | Pixel data valid. 4x oversampling.   |

Table 126. 8-Bit 1080i YCrCb In, YPrPb Out

| Subaddress | Setting | Description  |
|------------|---------|--|
| 0x17       | 0x02    | Software reset.  |
| 0x00       | 0x1C    | All DACs enabled. PLL enabled (4x).  |
| 0x01       | 0x20    | HD-DDR input mode. Luma data clocked on falling edge of CLKIN.                 |
| 0x30       | 0x68    | 1080i at 30 Hz/29.97 Hz. HSYNC/VSYNC synchronization. EIA-770.3 output levels. |
| 0x31       | 0x01    | Pixel data valid. 4x oversampling.   |

Table 127. 8-Bit 1080i YCrCb In (EAV/SAV), RGB Out

| Subaddress | Setting | Description  |
|------------|---------|--|
| 0x17       | 0x02    | Software reset.  |
| 0x00       | 0x1C    | All DACs enabled. PLL enabled (4x).  |
| 0x01       | 0x20    | HD-DDR input mode. Luma data clocked on falling edge of CLKIN.                 |
| 0x02       | 0x10    | RGB output enabled. RGB output sync enabled.                                   |
| 0x30       | 0x6C    | 1080i at 30 Hz/29.97 Hz. HSYNC/VSYNC synchronization. EIA-770.3 output levels. |
| 0x31       | 0x01    | Pixel data valid. 4x oversampling.   |

**Table 128. 8-Bit 1080i YCrCb In, RGB Out**

| Subaddress | Setting | Description  |
|------------|---------|--|
| 0x17       | 0x02    | Software reset.  |
| 0x00       | 0x1C    | All DACs enabled. PLL enabled (4x).  |
| 0x01       | 0x20    | HD-DDR input mode. Luma data clocked on falling edge of CLKIN.             |
| 0x02       | 0x10    | RGB output enabled. RGB output sync enabled.                               |
| 0x30       | 0x68    | 1080i at 30 Hz/29.97 Hz. EAV/SAV synchronization. EIA-770.3 output levels. |
| 0x31       | 0x01    | Pixel data valid. 4x oversampling.   |

**Table 129. 16-Bit 1080i YCrCb In (EAV/SAV), YPrPb Out**

| Subaddress | Setting | Description  |
|------------|---------|--|
| 0x17       | 0x02    | Software reset.  |
| 0x00       | 0x1C    | All DACs enabled. PLL enabled (4x).  |
| 0x01       | 0x10    | HD-SDR input mode.   |
| 0x30       | 0x6C    | 1080i at 30 Hz/29.97 Hz. EAV/SAV synchronization. EIA-770.3 output levels. |
| 0x31       | 0x01    | Pixel data valid. 4x oversampling.   |

**Table 130. 16-Bit 1080i YCrCb In, YPrPb Out**

| Subaddress | Setting | Description  |
|------------|---------|--|
| 0x17       | 0x02    | Software reset.  |
| 0x00       | 0x1C    | All DACs enabled. PLL enabled (4x).  |
| 0x01       | 0x10    | HD-SDR input mode.   |
| 0x30       | 0x68    | 1080i at 30 Hz/29.97 Hz. HSYNC/VSYNC synchronization. EIA-770.3 output levels. |
| 0x31       | 0x01    | Pixel data valid. 4x oversampling.   |

**Table 131. 16-Bit 1080i YCrCb In (EAV/SAV), RGB Out**

| Subaddress | Setting | Description  |
|------------|---------|--|
| 0x17       | 0x02    | Software reset.  |
| 0x00       | 0x1C    | All DACs enabled. PLL enabled (4x).  |
| 0x01       | 0x10    | HD-SDR input mode.   |
| 0x02       | 0x10    | RGB output enabled. RGB output sync enabled.                               |
| 0x30       | 0x6C    | 1080i at 30 Hz/29.97 Hz. EAV/SAV synchronization. EIA-770.3 output levels. |
| 0x31       | 0x01    | Pixel data valid. 4x oversampling.   |

**Table 132. 16-Bit 1080i YCrCb In, RGB Out**

| Subaddress | Setting | Description  |
|------------|---------|--|
| 0x17       | 0x02    | Software reset.  |
| 0x00       | 0x1C    | All DACs enabled. PLL enabled (4x).  |
| 0x01       | 0x10    | HD-SDR input mode.   |
| 0x02       | 0x10    | RGB output enabled. RGB output sync enabled.                                   |
| 0x30       | 0x68    | 1080i at 30 Hz/29.97 Hz. HSYNC/VSYNC synchronization. EIA-770.3 output levels. |
| 0x31       | 0x01    | Pixel data valid. 4x oversampling.   |

**Table 133. 24-Bit 1080i YCrCb In (EAV/SAV), YPrPb Out**

| Subaddress | Setting | Description  |
|------------|---------|--|
| 0x17       | 0x02    | Software reset.  |
| 0x00       | 0x1C    | All DACs enabled. PLL enabled (4x).  |
| 0x01       | 0x10    | HD-SDR input mode.   |
| 0x30       | 0x6C    | 1080i at 30 Hz/29.97 Hz. EAV/SAV synchronization. EIA-770.3 output levels. |
| 0x31       | 0x01    | Pixel data valid. 4x oversampling.   |
| 0x33       | 0x28    | 4:4:4 input data.  |

**Table 134. 24-Bit 1080i YCrCb In, YPrPb Out**

| Subaddress | Setting | Description  |
|------------|---------|--|
| 0x17       | 0x02    | Software reset.  |
| 0x00       | 0x1C    | All DACs enabled. PLL enabled (4x).  |
| 0x01       | 0x10    | HD-SDR input mode.   |
| 0x30       | 0x68    | 1080i at 30 Hz/29.97 Hz. HSYNC/VSYNC synchronization. EIA-770.3 output levels. |
| 0x31       | 0x01    | Pixel data valid. 4x oversampling.   |
| 0x33       | 0x28    | 4:4:4 input data.  |

**Table 135. 24-Bit 1080i YCrCb In (EAV/SAV), RGB Out**

| Subaddress | Setting | Description  |
|------------|---------|--|
| 0x17       | 0x02    | Software reset.  |
| 0x00       | 0x1C    | All DACs enabled. PLL enabled (4x).  |
| 0x01       | 0x10    | HD-SDR input mode.   |
| 0x02       | 0x10    | RGB output enabled. RGB output sync enabled.                               |
| 0x30       | 0x6C    | 1080i at 30 Hz/29.97 Hz. EAV/SAV synchronization. EIA-770.3 output levels. |
| 0x31       | 0x01    | Pixel data valid. 4x oversampling.   |
| 0x33       | 0x28    | 4:4:4 input data.  |



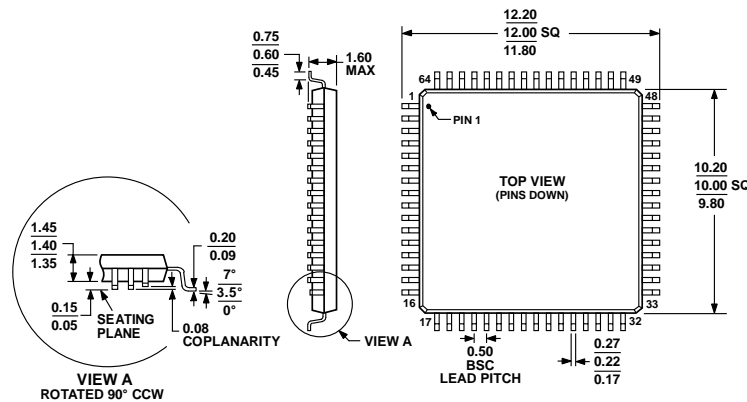
Table 136. 24-Bit 1080i YCrCb In, RGB Out

| Subaddress | Setting | Description  |
|------------|---------|--|
| 0x17       | 0x02    | Software reset.  |
| 0x00       | 0x1C    | All DACs enabled. PLL enabled (4x).  |
| 0x01       | 0x10    | HD-SDR input mode.   |
| 0x02       | 0x10    | RGB output enabled. RGB output sync enabled.   |
| 0x30       | 0x68    | 1080i at 30 Hz/29.97 Hz. $\overline{\text{HSYNC}}/\overline{\text{VSYNC}}$ synchronization. EIA-770.3 output levels. |
| 0x31       | 0x01    | Pixel data valid. 4x oversampling.   |
| 0x33       | 0x28    | 4:4:4 input data.  |

Table 137. 24-Bit 1080i RGB In, RGB Out

| Subaddress | Setting | Description  |
|------------|---------|--|
| 0x17       | 0x02    | Software reset.  |
| 0x00       | 0x1C    | All DACs enabled. PLL enabled (4x).  |
| 0x01       | 0x10    | HD-SDR input mode.   |
| 0x02       | 0x10    | RGB output enabled. RGB output sync enabled.   |
| 0x30       | 0x68    | 1080i at 30 Hz/29.97 Hz. $\overline{\text{HSYNC}}/\overline{\text{VSYNC}}$ synchronization. EIA-770.3 output levels. |
| 0x31       | 0x01    | Pixel data valid. 4x oversampling.   |
| 0x33       | 0x28    | 4:4:4 input data.  |
| 0x35       | 0x02    | RGB input enabled.   |

OUTLINE DIMENSIONS



COMPLIANT TO JEDEC STANDARDS MS-026-BCD

Figure 139. 64-Lead Low Profile Quad Flat Package [LQFP] (ST-64-2)

Dimensions shown in millimeters

ORDERING GUIDE

| Model <sup>1,2</sup> | Temperature Range | Macrovision <sup>3</sup> Antitaping | Package Description                          | Package Option |
|----------------------|-------------------|-------------------------------------|--|----------------|
| ADV7342BSTZ          | -40°C to +85°C    | Yes                                 | 64-Lead Low Profile Quad Flat Package [LQFP] | ST-64-2        |
| ADV7343BSTZ          | -40°C to +85°C    | No                                  | 64-Lead Low Profile Quad Flat Package [LQFP] | ST-64-2        |
| ADV7343WBSTZ         | -40°C to +85°C    | No                                  | 64-Lead Low Profile Quad Flat Package [LQFP] | ST-64-2        |
| ADV7343WBSTZ-RL      | -40°C to +85°C    | No                                  | 64-Lead Low Profile Quad Flat Package [LQFP] | ST-64-2        |

<sup>1</sup> Z = RoHS Compliant Part.

<sup>2</sup> W = Qualified for Automotive Applications.

<sup>3</sup> Macrovision-enabled ICs require the buyer to be an approved licensee (authorized buyer) of ICs that are able to output Macrovision Rev 7.1.L1-compliant video.

AUTOMOTIVE PRODUCTS

The [ADV7343W](#) models are available with controlled manufacturing to support the quality and reliability requirements of automotive applications. Note that these automotive models may have specifications that differ from the commercial models; therefore designers should review the Specifications section of this data sheet carefully. Only the automotive grade products shown are available for use in automotive applications. Contact your local Analog Devices account representative for specific product ordering information and to obtain the specific Automotive Reliability reports for these models.

I<sup>2</sup>C refers to a communications protocol originally developed by Philips Semiconductors (now NXP Semiconductors).

# Mouser Electronics

Authorized Distributor

Click to View Pricing, Inventory, Delivery & Lifecycle Information:

[Analog Devices Inc.:](#)

[ADV7343BSTZ](#) [ADV7342BSTZ](#) [ADV7343WBSTZ-RL](#) [ADV7343WBSTZ](#)