

---

**I<sup>2</sup>C-Compatible (2-wire) Serial EEPROM**  
**1-Kbit (128 x 8) or 2-Kbit (256 x 8)**

---

**DATASHEET**

---

**Features**

---

- Low Voltage Operation
  - 1.7V ( $V_{CC} = 1.7V$  to 3.6V)
- Internally Organized 128 x 8 (1K) or 256 x 8 (2K)
- I<sup>2</sup>C-Compatible (2-wire) Serial Interface
  - 100kHz Standard Mode, 1.7V to 3.6V
  - 400kHz Fast Mode, 1.7V to 3.6V
  - 1MHz Fast Mode Plus (FM+), 2.5V to 3.6V
- Schmitt Triggers, Filtered Inputs for Noise Suppression
- Bidirectional Data Transfer Protocol
- Write Protect Pin for Full Array Hardware Data Protection
- Ultra Low Active Current (1mA max) and Standby Current (0.8 $\mu$ A max)
- 8-byte Page Write Mode
  - Partial Page Writes Allowed
- Random and Sequential Read Modes
- Self-timed Write Cycle Within 5ms max
- High Reliability
  - Endurance: 1,000,000 Write Cycles
  - Data Retention: 100 Years
- Green Package Options (Lead-free/Halide-free/RoHS Compliant)
  - 8-lead SOIC, 8-lead TSSOP, 8-pad UDFN, 8-lead PDIP<sup>(1)</sup>, 5-lead SOT23, and 8-ball VFBGA
- Die Sale Options: Wafer Form and Tape and Reel

---

**Description**

---

The Atmel® AT24C01D/02D provides 1,024/2,048 bits of Serial Electrically Erasable and Programmable Read-Only Memory (EEPROM) organized as 128/256 words of eight bits each. The device's cascadable feature allows up to eight devices to share a common 2-wire bus. These device are optimized for use in many industrial and commercial applications where low-power and low-voltage operation are essential. Both devices are available in space-saving 8-lead SOIC, 8-lead TSSOP, 8-pad UDFN, 8-lead PDIP<sup>(1)</sup>, 5-lead SOT23, and 8-ball VFBGA packages. The entire family of packages operates from 1.7V to 3.6V.

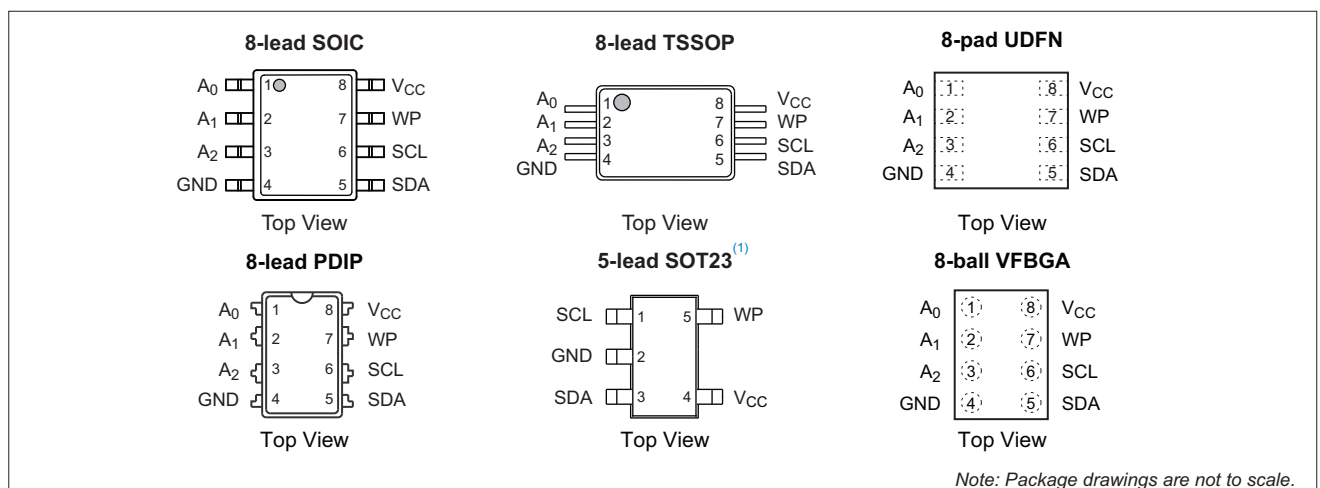
Note: 1. Contact Atmel Sales for availability of this package.

# 1. Pin Descriptions and Pinouts

**Table 1-1. Pin Descriptions**

Pin Number	Pin Symbol	Pin Name and Functional Description	Asserted State	Pin Type
1, 2, 3	A <sub>0</sub> , A <sub>1</sub> , A <sub>2</sub>	<b>Device Address Inputs:</b> The A <sub>0</sub> , A <sub>1</sub> , and A <sub>2</sub> pins are used to select the hardware device address and correspond to the seventh, sixth, and fifth bit of the I <sup>2</sup> C seven bit slave address. These pins can be directly connected to V <sub>CC</sub> or GND, allowing up to eight devices on the same bus. Refer to <a href="#">Note 1</a> for behavior of the pin when not connected.	—	Input
4	GND	<b>Ground:</b> The ground reference for the power supply. GND should be connected to the system ground.	—	Power
5	SDA	<b>Serial Data:</b> The SDA pin is an open-drain bidirectional input/output pin used to serially transfer data to and from the device. The SDA pin must be pulled-high using an external pull-up resistor (not to exceed 10KΩ in value) and may be wire-ORed with any number of other open-drain or open-collector pins from other devices on the same bus.	—	Input/Output
6	SCL	<b>Serial Clock:</b> The SCL pin is used to provide a clock to the device and to control the flow of data to and from the device. Command and input data present on the SDA pin is always latched in on the rising edge of SCL, while output data on the SDA pin is clocked out on the falling edge of SCL. The SCL pin must either be forced high when the serial bus is idle or pulled-high using an external pull-up resistor.	—	Input
7	WP	<b>Write Protect:</b> Connecting the WP pin to GND will ensure normal write operations. When the WP pin is connected to V <sub>CC</sub> , all write operations to the memory are inhibited. Refer to <a href="#">Note 1</a> for behavior of the pin when not connected.	High	Input
8	V <sub>CC</sub>	<b>Device Power Supply:</b> The V <sub>CC</sub> pin is used to supply the source voltage to the device. Operations at invalid V <sub>CC</sub> voltages may produce spurious results and should not be attempted.	—	Power

Note: 1. If the A<sub>0</sub>, A<sub>1</sub>, A<sub>2</sub>, or WP pins are not driven, they are internally pulled down to GND. In order to operate in a wide variety of application environments, the pull-down mechanism is intentionally designed to be somewhat strong. Once these pins are biased above the CMOS input buffer's trip point (~0.5 x V<sub>CC</sub>), the pull-down mechanism disengages. Atmel recommends connecting these pins to a known state whenever possible.



Note: 1. Refer to [Section 4.1, "Device Addressing"](#) on page 7 for details addressing the SOT23 version of the device.

## 2. Device Block Diagram and System Configuration

Figure 2-1. Block Diagram

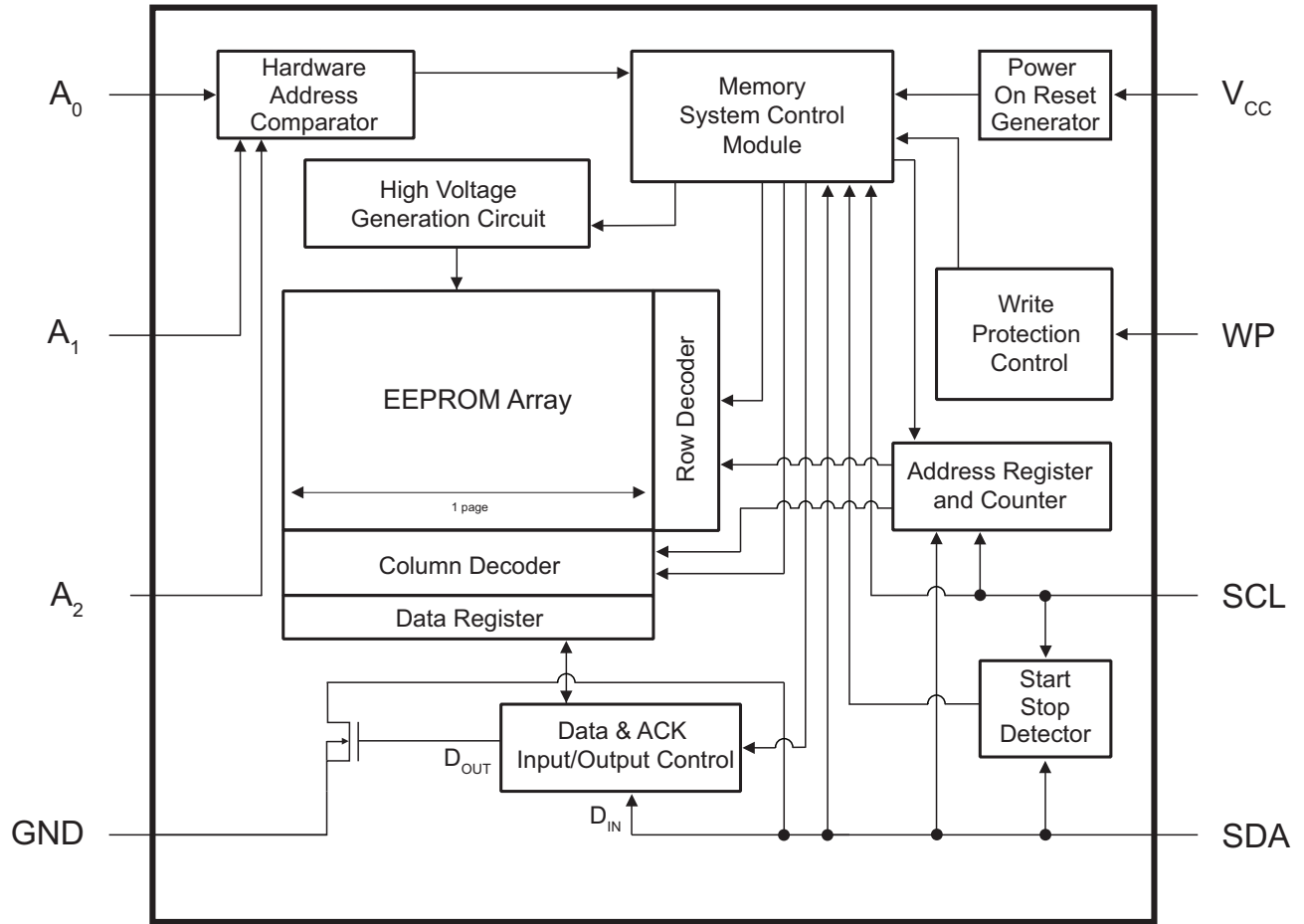
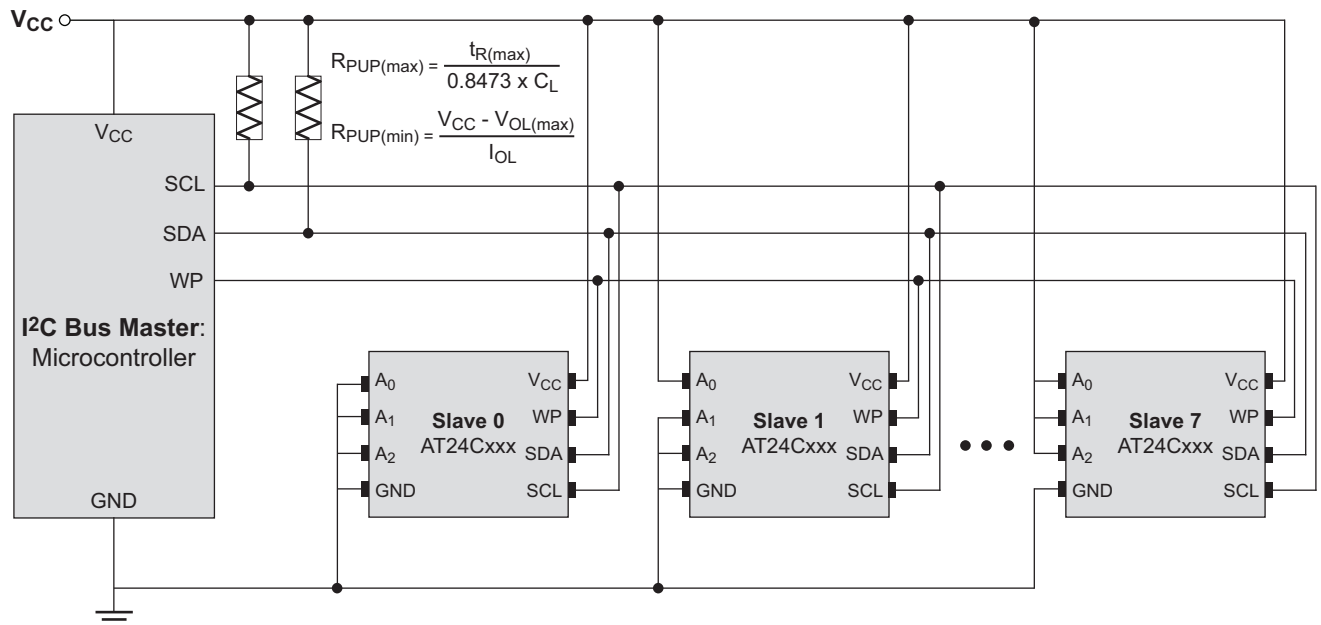


Figure 2-2. System Configuration Using 2-Wire Serial EEPROMs



## 3. Device Operation and Communication

The AT24C01D/02D operates as a slave device and utilizes a simple I<sup>2</sup>C-compatible 2-wire digital serial interface to communicate with a host controller, commonly referred to as the bus Master. The Master initiates and controls all Read and Write operations to the slave devices on the serial bus, and both the Master and the slave devices can transmit and receive data on the bus.

The serial interface is comprised of just two signal lines: Serial Clock (SCL) and Serial Data (SDA). The SCL pin is used to receive the clock signal from the Master, while the bidirectional SDA pin is used to receive command and data information from the Master as well as to send data back to the Master. Data is always latched into the AT24C01D/02D on the rising edge of SCL and always output from the device on the falling edge of SCL. Both the SCL and SDA pin incorporate integrated spike suppression filters and Schmitt Triggers to minimize the effects of input spikes and bus noise.

All command and data information is transferred with the Most-Significant Bit (MSB) first. During bus communication, one data bit is transmitted every clock cycle, and after eight bits (one byte) of data have been transferred, the receiving device must respond with either an acknowledge (ACK) or a no-acknowledge (NACK) response bit during a ninth clock cycle (ACK/NACK clock cycle) generated by the Master; Therefore, nine clock cycles are required for every one byte of data transferred. There are no unused clock cycles during any Read or Write operation, so there must not be any interruptions or breaks in the data stream during each data byte transfer and ACK or NACK clock cycle.

During data transfers, data on the SDA pin must only change while SCL is low, and the data must remain stable while SCL is high. If data on the SDA pin changes while SCL is high, then either a Start or a Stop condition will occur. Start and Stop conditions are used to initiate and end all serial bus communication between the Master and the slave devices. The number of data bytes transferred between a Start and a Stop condition is not limited and is determined by the Master. In order for the serial bus to be idle, both the SCL and SDA pins must be in the logic-high state at the same time.

### 3.1 Clock and Data Transition Requirements

The SDA pin is an open drain terminal and therefore must be pulled high with an external pull-up resistor. Data on the SDA pin may change only during SCL low time periods. Data changes during SCL high periods will indicate a Start or Stop condition as defined below.

### 3.2 Start and Stop Conditions

#### 3.2.1 Start Condition

A Start condition occurs when there is a high-to-low transition on the SDA pin while the SCL pin is at a stable Logic 1 state and will bring the device out of standby mode. The Master uses a Start condition to initiate any data transfer sequence; therefore, every command must begin with a Start condition. The device will continuously monitor the SDA and SCL pins for a Start condition but will not respond unless one is detected. See [Figure 3-1](#) for more details.

#### 3.2.2 Stop Condition

A Stop condition occurs when there is a low-to-high transition on the SDA pin while the SCL pin is stable in the Logic 1 state. The Master can use the Stop condition to end a data transfer sequence with the AT24C01D/02D which will subsequently return to standby mode. The Master can also utilize a repeated Start condition instead of a Stop condition to end the current data transfer if the Master will perform another operation. See [Figure 3-1](#) for more details.

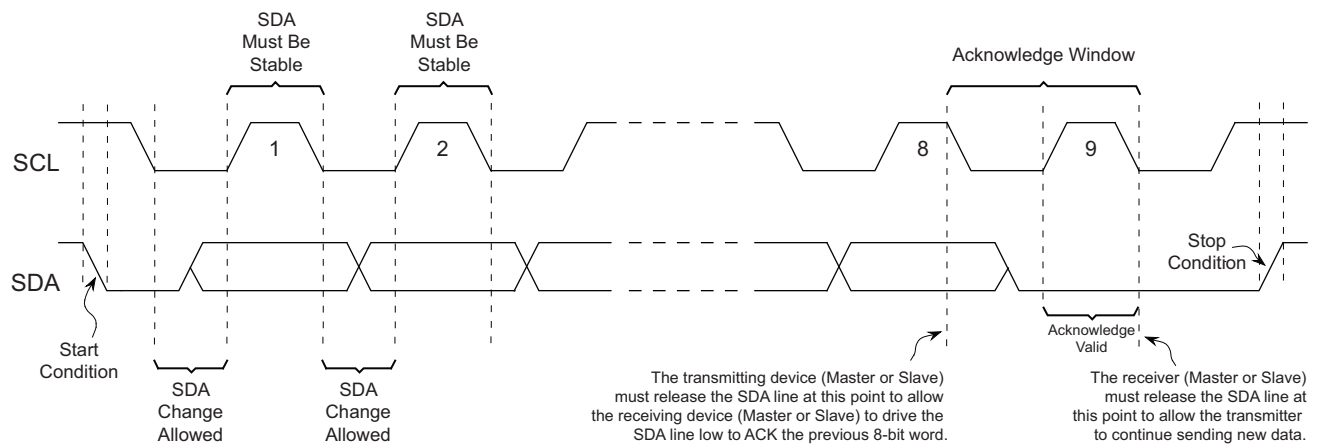
### 3.3 Acknowledge and No-Acknowledge

After every byte of data is received, the receiving device must confirm to the Master that it has successfully received the data byte by responding with what is known as an acknowledge (ACK). An ACK is accomplished by the transmitting device first releasing the SDA line at the falling edge of the eighth clock cycle followed by the receiving device responding with a Logic 0 during the entire high period of the ninth clock cycle.

When the AT24C01D/02D is transmitting data to the Master, the Master can indicate that it is done receiving data and wants to end the operation by sending a Logic 1 response to the AT24C01D/02D instead of an ACK response during the ninth clock cycle. This is known as a no-acknowledge (NACK) and is accomplished by the Master sending a Logic 1 during the ninth clock cycle, at which point the AT24C01D/02D will release the SDA line so the Master can then generate a Stop condition.

The transmitting device, which can be the bus Master or the Serial EEPROM, must release the SDA line at the falling edge of the eighth clock cycle to allow the receiving device to drive the SDA line to a Logic 0 to ACK the previous 8-bit word. The receiving device must release the SDA line at the end of the ninth clock cycle to allow the transmitter to continue sending new data. A timing diagram has been provided in [Figure 3-1](#) to better illustrate these requirements.

**Figure 3-1. Start Condition, Data Transitions, Stop Condition and Acknowledge**



### 3.4 Standby Mode

The AT24C01D/02D features a low power standby mode which is enabled when any one of the following occurs:

- A valid power-up sequence is performed (see [Section 8.6, "Power-Up Requirements and Reset Behavior"](#)).
- A Stop condition is received by the device unless it initiates an internal write cycle (see [Section 5](#)).
- At the completion of an internal write cycle (see [Section 5](#), "Write Operations").
- An unsuccessful match of the device type identifier or hardware address in the Device Address byte occurs (see [Section 4.1, "Device Addressing"](#)).
- The bus Master does not ACK the receipt of data read out from the device; instead it sends a NACK response (see [Section 6](#), "Read Operations").

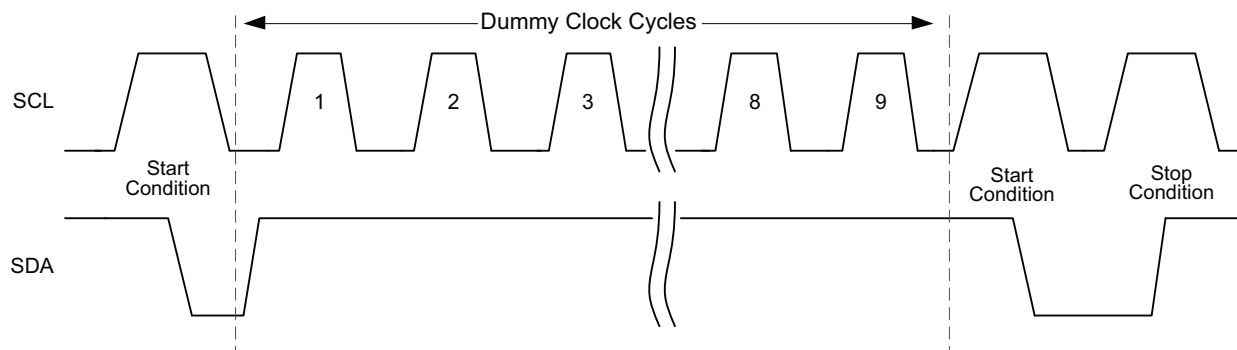
### 3.5 Software Reset

After an interruption in protocol, power loss, or system reset, any 2-wire part can be protocol reset by following these steps:

1. Create a Start condition (if possible).
2. Clock nine cycles.
3. Create another Start condition followed by a Stop condition as seen in [Figure 3-2](#).

The device should be ready for the next communication after above steps have been completed. In the event that the device is still non-responsive or remains active on the SDA bus, a power cycle must be used to reset the device (see [Section 8.6.1, “Device Reset”](#)).

**Figure 3-2. Software Reset**



## 4. Memory Organization

The AT24C01D is internally organized as 16 pages of 8 bytes each while the AT24C02D is organized as 32 pages of 8 bytes each.

### 4.1 Device Addressing

Accessing the device requires an 8-bit Device Address word following a Start condition to enable the device for a Read or Write operation. Since multiple slave devices can reside on the serial bus, each slave device must have its own unique address so that the Master can access each device independently.

The most significant four bits of the Device Address word is referred to as the device type identifier. The device type identifier '1010' (Ah) is required in bits seven through four of the Device Address byte (see [Table 4-1](#).)

Following the 4-bit device type identifier are the hardware slave address bits,  $A_2$ ,  $A_1$ , and  $A_0$ . These bits can be used to expand the address space by allowing up to eight other Serial EEPROM devices on the same bus. The  $A_2$ ,  $A_1$ , and  $A_0$  values must correlate with the voltage level on the corresponding hardwired input pins,  $A_2$ ,  $A_1$ , and  $A_0$ . These hardwired address pins use an internal proprietary circuit that automatically biases each pin to a Logic 0 state if the pin is allowed to float. In order to operate in a wide variety of application environments, the pull-down mechanism is intentionally designed to be somewhat strong. Once the pin is biased above the CMOS input buffer's trip point ( $\sim 0.5 \times V_{CC}$ ), the pull-down mechanism disengages. Atmel recommends connecting the  $A_2$ ,  $A_1$ , and  $A_0$  pins to a known state whenever possible.

When using the SOT23 package, the  $A_2$ ,  $A_1$ , and  $A_0$  signals are not accessible and are left floating. The previously mentioned automatic pull-down circuit will set these signals to a Logic 0 state. As a result, to properly communicate with the device in the SOT23 package, the  $A_2$ ,  $A_1$ , and  $A_0$  software bits must always be set to Logic 0 for any operation. This requirement has been shown in [Table 4-1](#).

The eighth bit of the Device Address (bit 0) is the Read/Write operation select bit. A Read operation is initiated if this bit is high and a Write operation is initiated if this bit is low.

Upon the successful comparison of the Device Address, the EEPROM will return an ACK. If a valid comparison is not made, the device will NACK and return to a standby state.

**Table 4-1. Device Address Byte**

Package	Device Type Identifier				Hardware Slave Address Bits			Read/ Write
	Bit 7	Bit 6	Bit 5	Bit 4	Bit 3	Bit 2	Bit 1	Bit 0
SOIC, TSSOP, UDFN, PDIP, VFBGA	1	0	1	0	$A_2$	$A_1$	$A_0$	$R/\bar{W}$
SOT23	1	0	1	0	0	0	0	$R/\bar{W}$

For all operations except the Current Address Read, a Word Address byte must be transmitted to the device immediately following the Device Address byte. The Word Address byte contains a 7-bit (in the case of the AT24C01D) or 8-bit (in the case of the AT24C02D) memory array address, and is used to specify which location in the EEPROM to start reading or writing. Please refer to [Table 4-2](#) to review these bit positions.

**Table 4-2. Word Address Byte**

Bit 7	Bit 6	Bit 5	Bit 4	Bit 3	Bit 2	Bit 1	Bit 0
$A7^{(1)}$	$A_6$	$A_5$	$A_4$	$A_3$	$A_2$	$A_1$	$A_0$

Note: 1. The  $A_7$  bit is a don't care bit for the AT24C01D.

The relationship of the AC timing parameters with respect to SCL and SDA for the AT24C01D/02D are shown in the timing waveform in [Figure 8-1](#). The AC timing characteristics and specifications are outlined in [Section 8.4 "AC Characteristics"](#) on page 14.

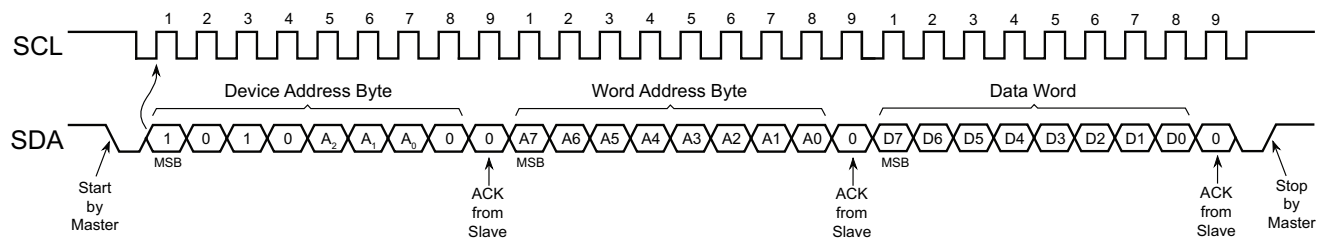
## 5. Write Operations

All Write operations for the AT24C01D/02D begin with the Master sending a Start condition, followed by a Device Address byte with the R/W bit set to '0', and then by the Word Address byte. The data value(s) to be written to the device immediately follow the Word Address byte.

### 5.1 Byte Write

The AT24C01D/02D supports the writing of single 8-bit bytes. Selecting a data word in the 1-Kbit memory requires a 7-bit word address while selecting a data word in the 2-Kbit memory requires an 8-bit word address. Upon receipt of the proper Device Address and Word Address bytes, the EEPROM will send an Acknowledge. The device will then be ready to receive the first 8-bit data word. Following receipt of the 8-bit data word, the EEPROM will respond with an Acknowledge. The addressing device, such as a bus Master, must then terminate the Write operation with a Stop condition. At that time the EEPROM will enter an internally self-timed write cycle, which will complete within a time of  $t_{WR}$ , while the data is being programmed into the nonvolatile EEPROM. All inputs are disabled during this write cycle, and the EEPROM will not respond until the Write is complete.

Figure 5-1. Byte Write



### 5.2 Page Write

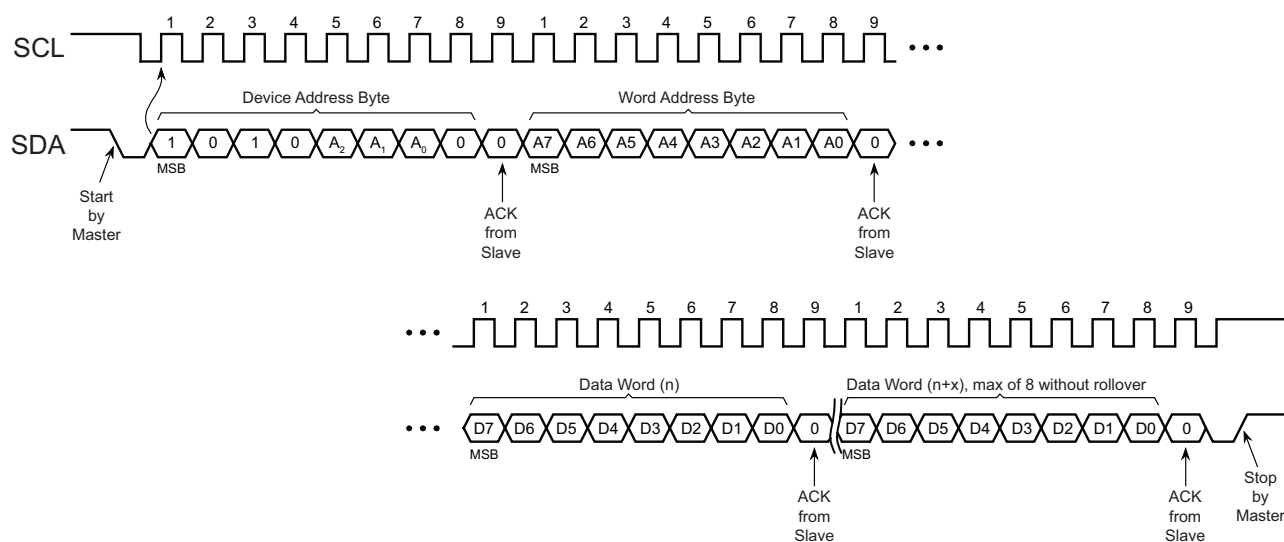
A Page Write operation allows up to eight bytes to be written in the same write cycle, provided all bytes are in the same row of the memory array (where address bits  $A_7$  through  $A_3$  are the same). Partial Page Writes of less than eight bytes are also allowed.

A Page Write is initiated the same way as a Byte Write, but the bus Master does not send a Stop condition after the first data word is clocked in. Instead, after the EEPROM acknowledges receipt of the first data word, the bus Master can transmit up to seven additional data words. The EEPROM will respond with an ACK after each data word is received. Once all data to be written has been sent to the device, the bus Master must issue a Stop condition (see Figure 5-2) at which time the internally self-timed write cycle will begin.

The lower three bits of the word address are internally incremented following the receipt of each data word. The higher order address bits are not incremented and retains the memory page row location. Page Write operations are limited to writing bytes within a single physical page, regardless of the number of bytes actually being written. When the incremented word address reaches the page boundary, the address counter will “roll-over” to the beginning of the same page. Nevertheless, creating a roll-over event should be avoided as previously loaded data in the page could become unintentionally altered.



**Figure 5-2. Page Write**

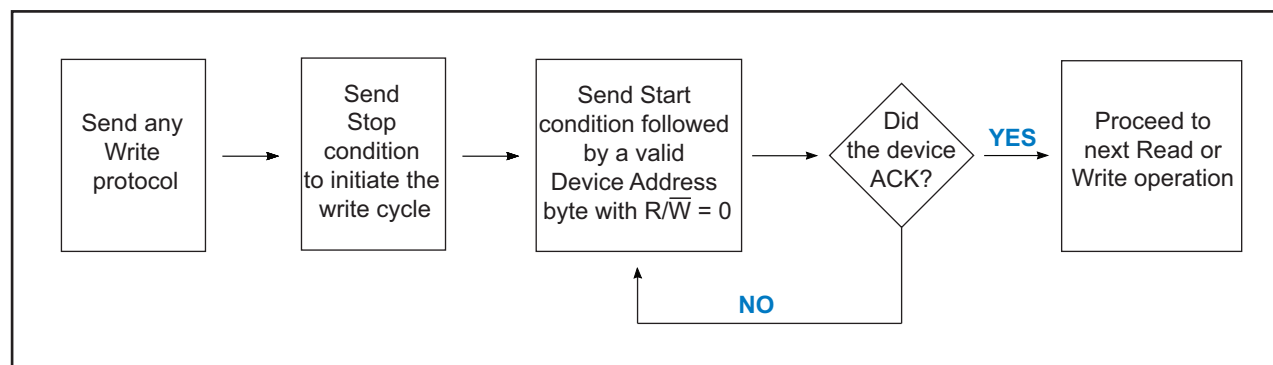


### 5.3 Acknowledge Polling

An Acknowledge Polling routine can be implemented to optimize time sensitive applications that would prefer not to wait the fixed maximum write cycle time ( $t_{WR}$ ). This method allows the application to know immediately when the Serial EEPROM write cycle has completed, so a subsequent operation can be started.

Once the internally self-timed write cycle has started, an Acknowledge Polling routine can be initiated. This involves repeatedly sending a Start condition followed by a valid Device Address byte with the R/W bit set at Logic 0. The device will not respond with an ACK while the write cycle is ongoing. Once the internal write cycle has completed, the EEPROM will respond with an ACK, allowing a new Read or Write operation to be immediately initiated. A flow chart has been included below in [Figure 5-3](#) to better illustrate this technique.

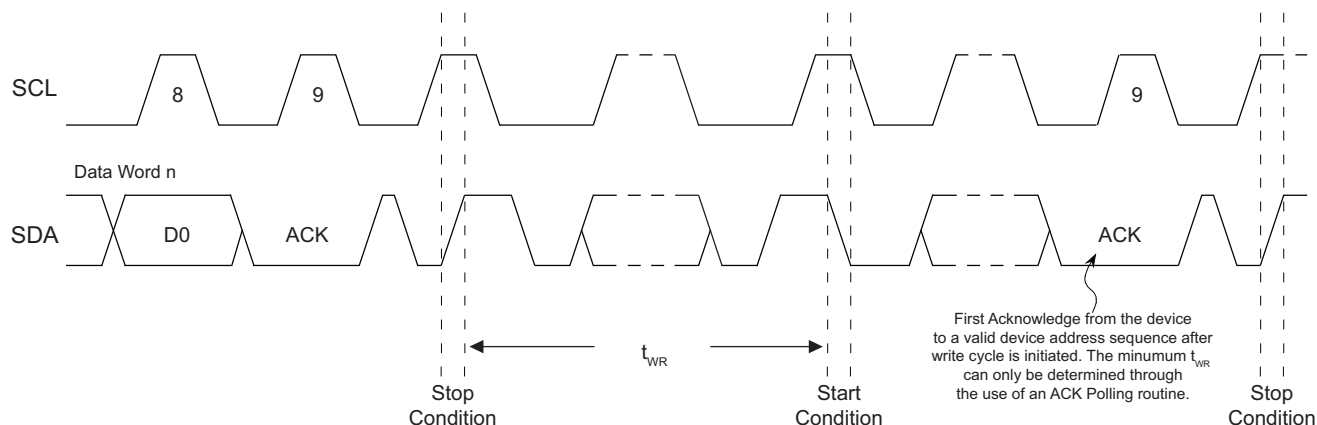
**Figure 5-3. Acknowledge Polling Flow Chart**



### 5.4 Write Cycle Timing

The length of the self-timed write cycle, or  $t_{WR}$ , is defined as the amount of time from the Stop condition that begins the internal Write operation, to the Start condition of the first Device Address byte sent to the AT24C01D/02D which it subsequently responds to with an ACK. [Figure 5-4](#) has been included to show this measurement. During the internally self-timed write cycle, any attempts to read or write to the memory array will not be processed.

**Figure 5-4. Write Cycle Timing**



## 5.5 Write Protection

The AT24C01D/02D utilizes a hardware data protection scheme that allows the user to write protect the entire memory contents when the WP pin is at  $V_{CC}$  (or a valid  $V_{IH}$ ). No write protection will be set if the WP pin is at GND or left floating.

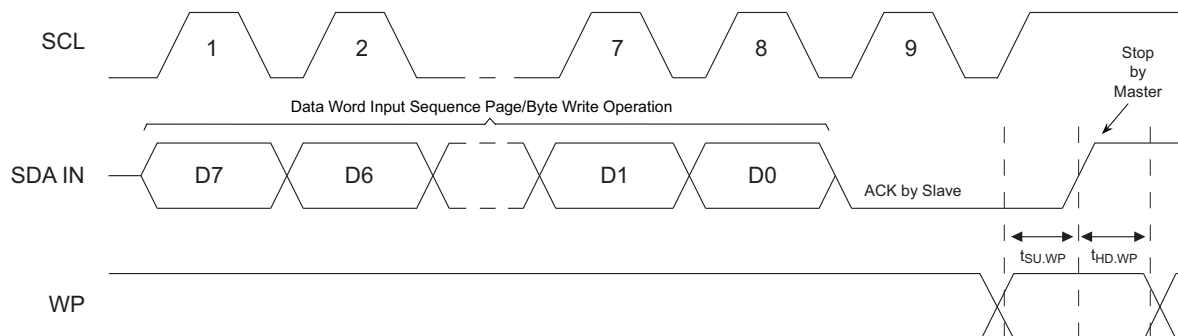
**Table 5-1. AT24C01D/02D Write Protect Behavior**

WP Pin Voltage	Part of the Array Protected
$V_{CC}$	Full Array
GND	None — Write Protection Not Enabled

The status of the WP pin is sampled at the Stop condition for every Byte Write or Page Write command prior to the start of an internally self-timed Write operation. Changing the WP pin state after the Stop condition has been sent will not alter or interrupt the execution of the write cycle. The WP pin state must be valid with respect to the associated setup ( $t_{SU,WP}$ ) and hold ( $t_{HD,WP}$ ) as shown in the [Figure 5-5](#) below. The WP setup time is the amount of time that the WP state must be stable before the Stop condition is issued. The WP hold time is the amount of time after the Stop condition that the WP state must remain stable.

If an attempt is made to write to the device while the WP pin has been asserted, the device will acknowledge the Device Address, Word address, and Data bytes but no write cycle will occur when the Stop condition is issued, and the device will immediately be ready to accept a new Read or Write command.

**Figure 5-5. Write Protect Setup and Hold Timing**



## 6. Read Operations

Read operations are initiated the same way as Write operations with the exception the read/write select bit in the Device Address word must be a Logic 1. There are three Read operations:

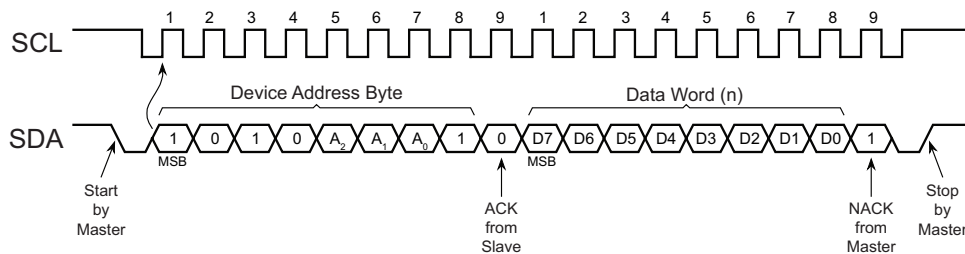
- Current Address Read
- Random Address Read
- Sequential Read

### 6.1 Current Address Read

The internal data word address counter maintains the last address accessed during the last Read or Write operation, incremented by one. This address stays valid between operations as long as the  $V_{CC}$  is maintained to the part. The address roll-over during read is from the last byte of the last page to the first byte of the first page of the memory.

A Current Address Read operation will output data according to the location of the internal data word address counter. This is initiated with a Start condition, followed by a valid Device Address byte with the R/W bit set to Logic 1. The device will ACK this sequence and the current address data word is serially clocked out on the SDA line. All types of Read operations will be terminated if the bus Master does not respond with an ACK (it NACKs) during the ninth clock cycle, which will force the device into standby mode. After the NACK response, the Master may send a Stop condition to complete the protocol, or it can send a Start condition to begin the next sequence.

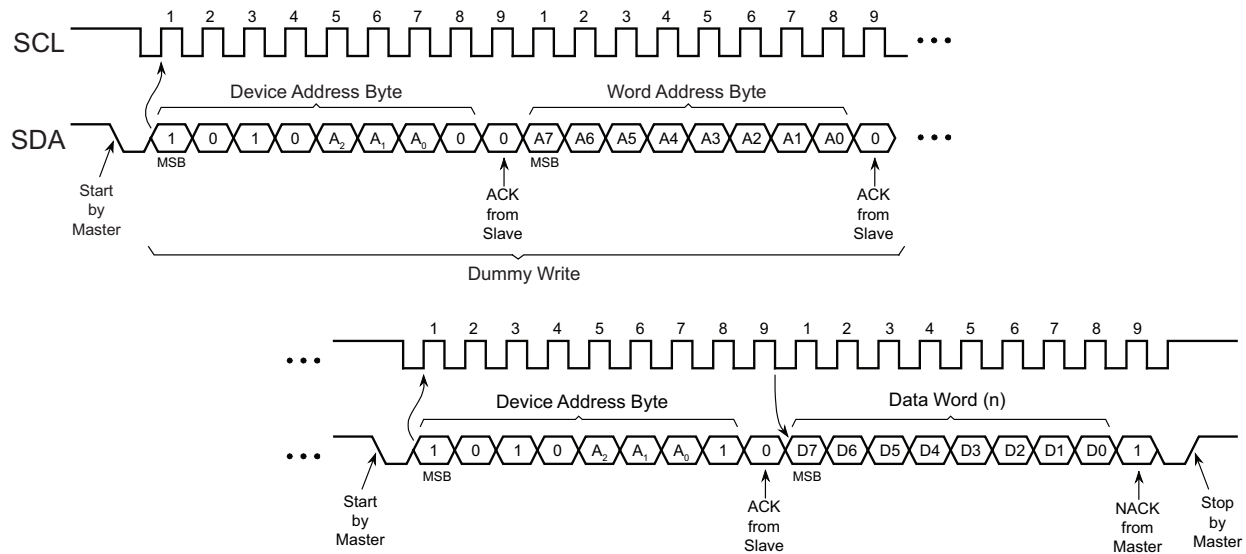
**Figure 6-1. Current Address Read**



### 6.2 Random Read

A Random Read begins in the same way as a Byte Write operation does to load in a new data word address. This is known as a “dummy write” sequence. However, the Data Byte and the Stop condition of the Byte Write must be omitted to prevent the part from entering an internal write cycle. Once the Device Address and Word Address are clocked in and acknowledged by the EEPROM, the bus Master must generate another Start condition. The bus Master now initiates a Current Address Read by sending a Start condition, followed by a valid Device Address byte with the R/W bit set to Logic 1. The EEPROM will ACK the Device Address and serially clock out the data word on the SDA line. All types of Read operations will be terminated if the bus Master does not respond with an ACK (it NACKs) during the ninth clock cycle, which will force the device into standby mode. After the NACK response, the Master may send a Stop condition to complete the protocol, or it can send a Start condition to begin the next sequence.

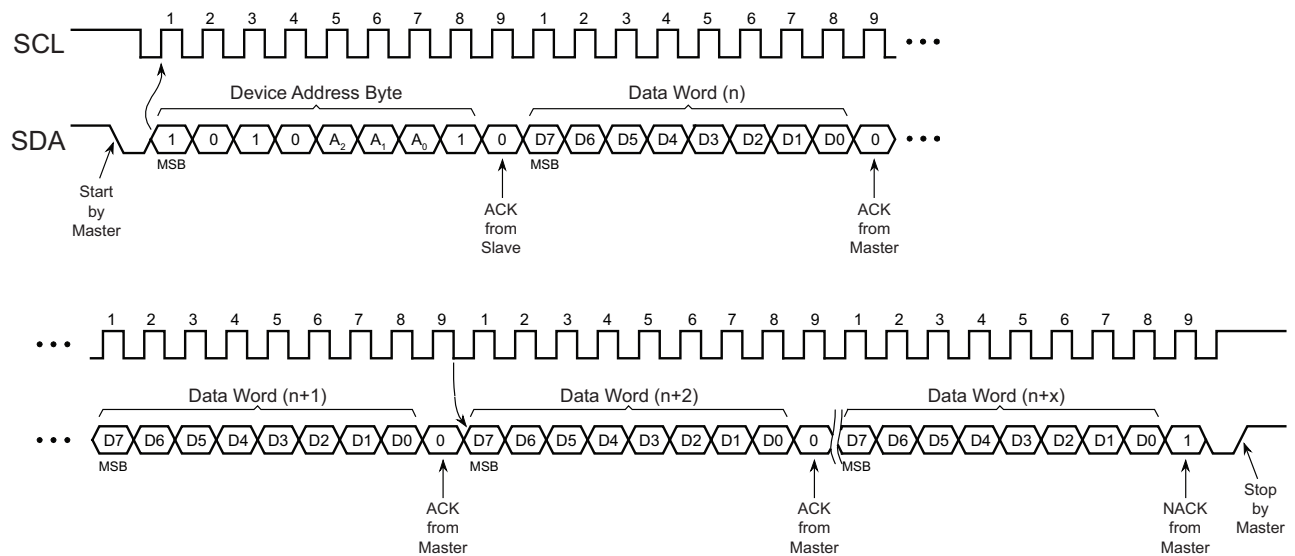
**Figure 6-2. Random Read**



### 6.3 Sequential Read

Sequential Reads are initiated by either a Current Address Read or a Random Read. After the bus Master receives a data word, it responds with an acknowledge. As long as the EEPROM receives an ACK, it will continue to increment the word address and serially clock out sequential data words. Figure 6-3 depicts a Sequential Read sequence that was initiated as a Current Address Read. When the maximum memory address is reached, the data word address will “roll over” and the sequential read will continue from the beginning of the memory array. All types of Read operations will be terminated if the bus Master does not respond with an ACK (it NACKs) during the ninth clock cycle, which will force the device into standby mode. After the NACK response, the Master may send a Stop condition to complete the protocol, or it can send a Start condition to begin the next sequence.

**Figure 6-3. Sequential Read, Initiated by a Current Address Read**



## 7. Device Default Condition from Atmel

The AT24C01D/02D is delivered with the EEPROM array set to Logic 1, resulting in FFh data in all locations.

## 8. Electrical Specifications

### 8.1 Absolute Maximum Ratings

Temperature under Bias . . . . .	-55°C to +125°C
Storage Temperature . . . . .	-65°C to +150°C
Supply Voltage with respect to ground . . . . .	-0.5V to +4.10V
Voltage on any pin with respect to ground . . . . .	-0.6V to $V_{CC} + 0.5V$
DC Output Current . . . . .	5.0mA

Functional operation at the “Absolute Maximum Ratings” or any other conditions beyond those indicated in [Section 8.2 “DC and AC Operating Range”](#) is not implied or guaranteed. Stresses beyond those listed under “Absolute Maximum Ratings” and/or exposure to the “Absolute Maximum Ratings” for extended periods may affect device reliability and cause permanent damage to the device.

The voltage extremes referenced in the “Absolute Maximum Ratings” are intended to accommodate short duration undershoot/overshoot pulses that the device may be subjected to during the course of normal operation and does not imply or guarantee functional device operation at these levels for any extended period of time.

### 8.2 DC and AC Operating Range

**Table 8-1. DC and AC Operating Range**

		AT24C01D and AT24C02D
Operating Temperature (Case)	Industrial Temperature Range	-40°C to +85°C
$V_{CC}$ Power Supply	Low Voltage Grade	1.7V to 3.6V

### 8.3 DC Characteristics

**Table 8-2. DC Characteristics**

Parameters are applicable over the operating range in [Section 8.2](#), unless otherwise noted.

Symbol	Parameter	Test Condition		Min	Typical <sup>(1)</sup>	Max	Units
$V_{CC}$	Supply Voltage			1.7		3.6	V
$I_{CC1}$	Supply Current, Read	$V_{CC} = 1.8V^{(2)}$	Read at 400kHz		0.08	0.3	mA
		$V_{CC} = 3.6V$	Read at 1MHz		0.15	0.5	mA
$I_{CC2}$	Supply Current, Write	$V_{CC} = 3.6V$	Write at 1MHz		0.20	1.0	mA
$I_{SB}$	Standby Current	$V_{CC} = 1.8V^{(2)}$	$V_{IN} = V_{CC}$ or $V_{SS}$		0.08	0.4	$\mu A$
		$V_{CC} = 3.6V$			0.10	0.8	$\mu A$
$I_{LI}$	Input Leakage Current	$V_{IN} = V_{CC}$ or $V_{SS}$			0.10	3.0	$\mu A$
$I_{LO}$	Output Leakage Current	$V_{OUT} = V_{CC}$ or $V_{SS}$			0.05	3.0	$\mu A$
$V_{IL}$	Input Low Level <sup>(2)</sup>			-0.6		$V_{CC} \times 0.3$	V
$V_{IH}$	Input High Level <sup>(2)</sup>			$V_{CC} \times 0.7$		$V_{CC} + 0.5$	V
$V_{OL1}$	Output Low Level	$V_{CC} = 1.7V$	$I_{OL} = 0.15mA$			0.2	V
$V_{OL2}$	Output Low Level	$V_{CC} = 3.0V$	$I_{OL} = 2.1mA$			0.4	V

- Notes: 1. Typical values characterized at  $T_A = +25^\circ C$  unless otherwise noted.  
 2. This parameter is characterized but is not 100% tested in production.

## 8.4 AC Characteristics

**Table 8-3. AC Characteristics**

Parameters are applicable over operating range in [Section 8.2](#), unless otherwise noted. Test conditions shown in [Note 2](#).

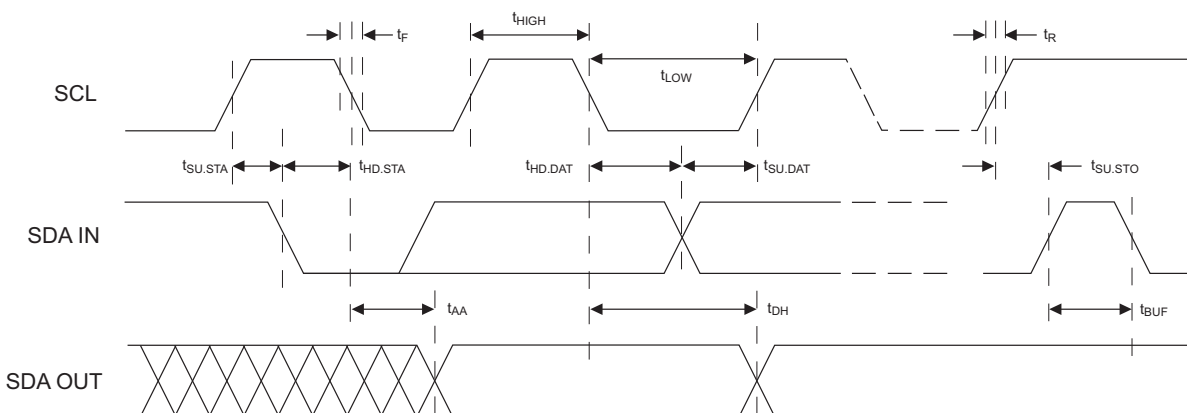
Symbol	Parameter	Standard Mode		Fast Mode		Fast Mode Plus		Units
		$V_{CC} = 1.7V \text{ to } 3.6V$		$V_{CC} = 1.7V \text{ to } 3.6V$		$V_{CC} = 2.5V \text{ to } 3.6V$		
		Min	Max	Min	Max	Min	Max	
$f_{SCL}$	Clock Frequency, SCL		100		400		1000	kHz
$t_{LOW}$	Clock Pulse Width Low	4,700		1,300		500		ns
$t_{HIGH}$	Clock Pulse Width High	4,000		600		400		ns
$t_I$	Input Filter Spike Suppression (SCL,SDA) <sup>(1)</sup>		100		100		100	ns
$t_{AA}$	Clock Low to Data Out Valid		4,500		900		450	ns
$t_{BUF}$	Bus Free Time between Stop and Start <sup>(1)</sup>	4,700		1,300		500		ns
$t_{HD.STA}$	Start Hold Time	4,000		600		250		ns
$t_{SU.STA}$	Start Set-up Time	4,700		600		250		ns
$t_{HD.DAT}$	Data In Hold Time	0		0		0		ns
$t_{SU.DAT}$	Data In Set-up Time	200		100		100		ns
$t_R$	Inputs Rise Time <sup>(1)</sup>		1,000		300		100	ns
$t_F$	Inputs Fall Time <sup>(1)</sup>		300		300		100	ns
$t_{SU.STO}$	Stop Set-up Time	4,700		600		250		ns
$t_{SU.WP}$	Write Protect Setup Time	4,000		600		100		ns
$t_{HD.WP}$	Write Protect Hold Time	4,000		600		400		ns
$t_{DH}$	Data Out Hold Time	100		50		50		ns
$t_{WR}$	Write Cycle Time		5		5		5	ms

Notes: 1. These parameters are determined through product characterization and are not tested 100% in production.

2. AC measurement conditions:

- $C_L$  : 100pF
- $R_{PUP}$  (bus line pull-up resistor to  $V_{CC}$ ): 1.3 k $\Omega$  (1000kHz), 4k $\Omega$  (400kHz), 10k $\Omega$  (100kHz)
- Input pulse voltages: 0.3  $V_{CC}$  to 0.7  $V_{CC}$
- Input rise and fall times:  $\leq 50$ ns
- Input and output timing reference voltages: 0.5 x  $V_{CC}$

**Figure 8-1. Bus Timing**



## 8.5 Pin Capacitance

**Table 8-4. Pin Capacitance<sup>(1)</sup>**

Applicable over recommended operating range from  $T_A = 25^\circ\text{C}$ ,  $f = 1.0\text{MHz}$ ,  $V_{CC} = 3.6\text{V}$

Symbol	Test Condition	Max	Units	Conditions
$C_{I/O}$	Input/Output Capacitance (SDA)	8	pF	$V_{I/O} = 0\text{V}$
$C_{IN}$	Input Capacitance ( $A_0, A_1, A_2, \text{SCL}$ )	6	pF	$V_{IN} = 0\text{V}$

Note: 1. This parameter is characterized but is not 100% tested in production.

## 8.6 Power-Up Requirements and Reset Behavior

During a power-up sequence, the  $V_{CC}$  supplied to the AT24C01D/02D should monotonically rise from GND to the minimum  $V_{CC}$  level as specified in [Section 8.2](#) with no greater than a slew rate of  $1\text{V}/\mu\text{s}$ .

### 8.6.1 Device Reset

To prevent inadvertent write operations or other spurious events from happening during a power-up sequence, the AT24C01D/02D includes a Power-On-Reset (POR) circuit. Upon power-up, the device will not respond to any commands until the  $V_{CC}$  level crosses the internal voltage threshold ( $V_{POR}$ ) that brings the device out of reset and into standby mode.

The system designer must ensure that instructions are not sent to the device until the  $V_{CC}$  supply has reached a stable value greater than or equal to the minimum  $V_{CC}$  level. Additionally, once the  $V_{CC}$  is greater than or equal to the minimum  $V_{CC}$  level, the bus Master must wait at least  $t_{PUP}$  before sending the first command to the device. See [Table 8-5](#) for the values associated with these power-up parameters.

**Table 8-5. Power-up Conditions<sup>(1)</sup>**

Symbol	Parameter	Min	Max	Units
$t_{PUP}$	Time required after $V_{CC}$ is stable before the device can accept commands.	100		$\mu\text{s}$
$V_{POR}$	Power-On Reset Threshold Voltage		1.5	V
$t_{POFF}$	Minimum time at $V_{CC} = 0\text{V}$ between power cycles.	1		ms

Note: 1. These parameters are characterized but they are not 100% tested in production.

If an event occurs in the system where the  $V_{CC}$  level supplied to the AT24C01D/02D drops below the maximum  $V_{POR}$  level specified, it is recommended that a full power cycle sequence be performed by first driving the  $V_{CC}$  pin to GND, waiting at least the minimum  $t_{POFF}$  time, and then performing a new power-up sequence in compliance with the requirements defined in this section.

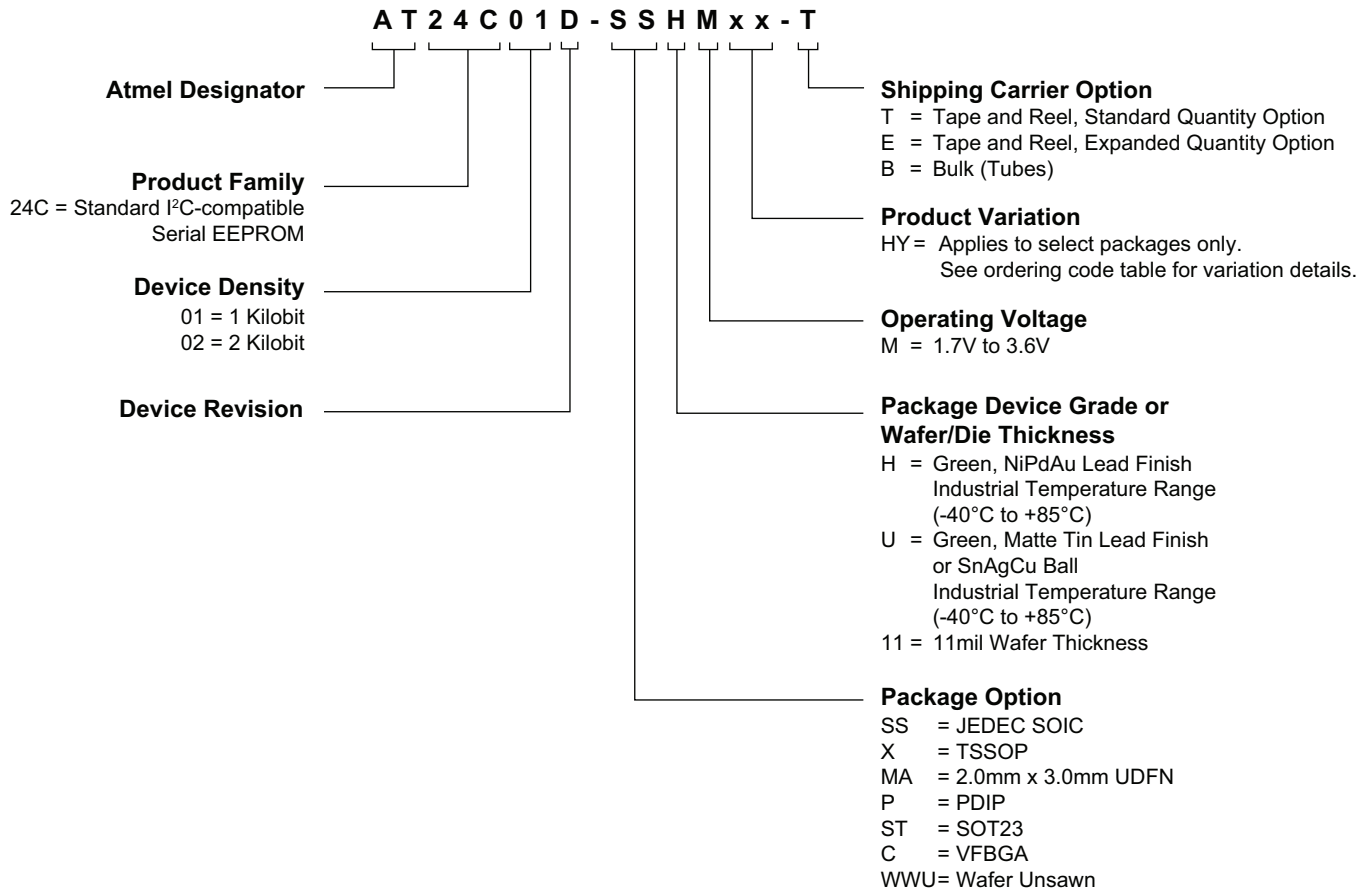
## 8.7 EEPROM Cell Performance Characteristics

**Table 8-6. EEPROM Cell Performance Characteristics**

Operation	Test Condition	Min	Max	Units
Write Endurance <sup>(1)</sup>	$T_A = 25^\circ\text{C}$ , $V_{CC}(\text{min}) < V_{CC} < V_{CC}(\text{max})$ Byte or Page Write Mode	1,000,000	—	Write Cycles
Data Retention <sup>(2)</sup>	$T_A = 55^\circ\text{C}$	100	—	Years

Notes: 1. Write endurance performance is determined through characterization and the qualification process.  
2. The data retention capability is determined through qualification and checked on each device in production.

## 9. Ordering Code Detail





## 10. Ordering Information

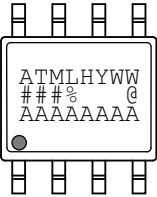

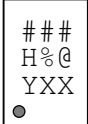
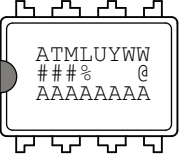
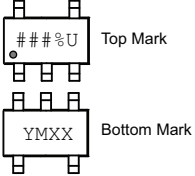
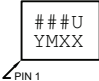
Atmel Ordering Code	Lead Finish	Package	Delivery Information		Operation Range
			Form	Quantity	
AT24C01D-SSHMT	NiPdAu (Lead-free/Halogen-free)	8S1	Tape and Reel	4,000 per Reel	Industrial Temperature (-40°C to 85°C)
AT24C01D-SSHM-B			Bulk (Tubes)	100 per Tube	
AT24C01D-XHMT		8X	Tape and Reel	5,000 per Reel	
AT24C01D-XHM-B			Bulk (Tubes)	100 per Tube	
AT24C01D-MAHMT		8MA2	Tape and Reel	5,000 per Reel	
AT24C01D-MAHM-E				15,000 per Reel	
AT24C01D-PUM	Matte Tin (Lead-free/Halogen-free)	8P3	Bulk (Tubes)	50 per Tube	
AT24C01D-STUM-T		5TS1	Tape and Reel	5,000 per Reel	
AT24C01D-CUM-T	SnAgCu Ball (Lead-free/Halogen-free)	8U3-1	Tape and Reel	5,000 per Reel	
AT24C01D-WWU11M <sup>(1)</sup>	N/A	Wafer Sale	Note 1		
<b>AT24C02D</b>					
AT24C02D-SSHMT	NiPdAu (Lead-free/Halogen-free)	8S1	Tape and Reel	4,000 per Reel	Industrial Temperature (-40°C to 85°C)
AT24C02D-SSHMHY-T			Bulk (Tubes)	100 per Tube	
AT24C02D-SSHM-B		8X	Tape and Reel	5,000 per Reel	
AT24C02D-XHMT			Bulk (Tubes)	100 per Tube	
AT24C02D-XHM-B		8MA2	Tape and Reel	5,000 per Reel	
AT24C02D-MAHMT				15,000 per Reel	
AT24C02D-MAHM-E	Matte Tin (Lead-free/Halogen-free)	8P3	Bulk (Tubes)	50 per Tube	
AT24C02D-PUM		5TS1	Tape and Reel	5,000 per Reel	
AT24C02D-STUM-T	SnAgCu Ball (Lead-free/Halogen-free)	8U3-1	Tape and Reel	5,000 per Reel	
AT24C02D-CUM-T					
AT24C02D-WWU11M <sup>(1)</sup>	N/A	Wafer Sale	Note 1		

Note: 1. For wafer sales, please contact Atmel Sales.

Package Type	
8S1	8-lead, 0.15" wide, Plastic Gull Wing Small Outline (JEDEC SOIC)
8X	8-lead, 4.40mm body, Plastic Thin Shrink Small Outline Package (TSSOP)
8MA2	8-pad, 2.00mm x 3.00mm body, 0.50mm Pitch, Ultra Thin Dual Flat No Lead (UDFN)
8P3	8-lead, 0.30" wide, Plastic Dual Inline Package (PDIP)
5TS1	5-lead, 2.90mm x 1.60mm body, Plastic Thin Shrink Small Outline (SOT23)
8U3-1	8-ball, 1.50mm x 2.00mm body, 0.5mm pitch, Very thin Fine Ball Grid Array (VFBGA)

# 11. Part Markings


## AT24C01D and AT24C02D: Package Marking Information

<p>8-lead SOIC</p> 	<p>8-lead TSSOP</p> 	<p>8-pad UDFN</p> <p>2.0 x 3.0 mm Body</p> 
<p>8-lead PDIP</p> 	<p>5-lead SOT-23</p> 	<p>8-ball VFBGA</p> <p>1.5 x 2.0 mm Body</p> 

Note 1: ● designates pin 1  
 Note 2: Package drawings are not to scale

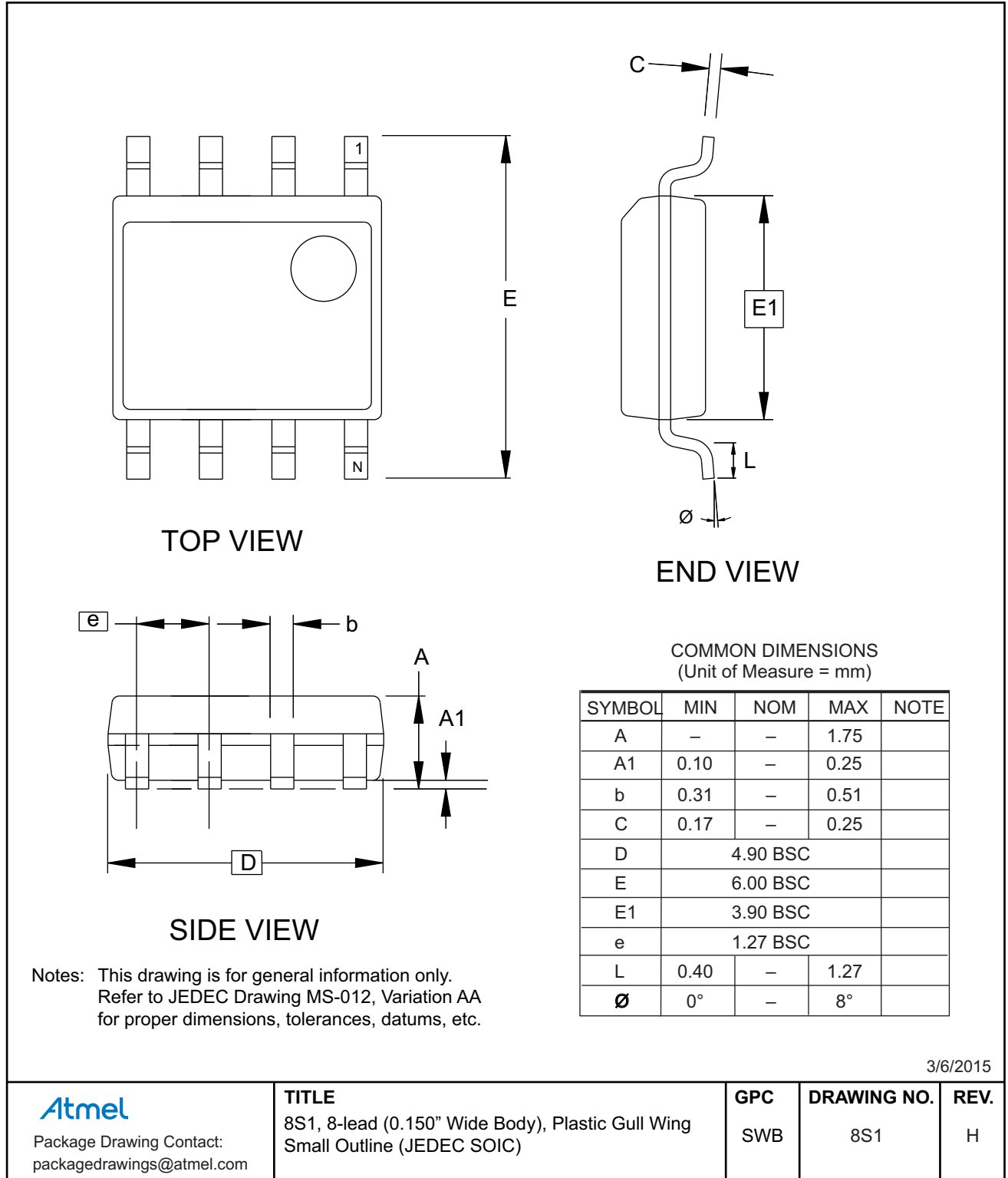
<b>Catalog Number Truncation</b>			
AT24C01D		Truncation Code ###: 01D	
AT24C02D		Truncation Code ###: 02D	
<b>Date Codes</b>			<b>Voltages</b>
Y = Year	M = Month	WW = Work Week of Assembly	% = Minimum Voltage
3: 2013    7: 2017	A: January	02: Week 2	M: 1.7V min
4: 2014    8: 2018	B: February	04: Week 4	
5: 2015    9: 2019	... ..	... ..	
6: 2016    0: 2020	L: December	52: Week 52	
<b>Country of Assembly</b>		<b>Lot Number</b>	<b>Grade/Lead Finish Material</b>
@ = Country of Assembly		AAA...A = Atmel Wafer Lot Number	H: Industrial/NiPdAu U: Industrial/Matte Tin/SnAgCu
<b>Trace Code</b>			<b>Atmel Truncation</b>
XX = Trace Code (Atmel Lot Numbers Correspond to Code) Example: AA, AB... YZ, ZZ			AT: Atmel ATM: Atmel ATML: Atmel

12/20/13

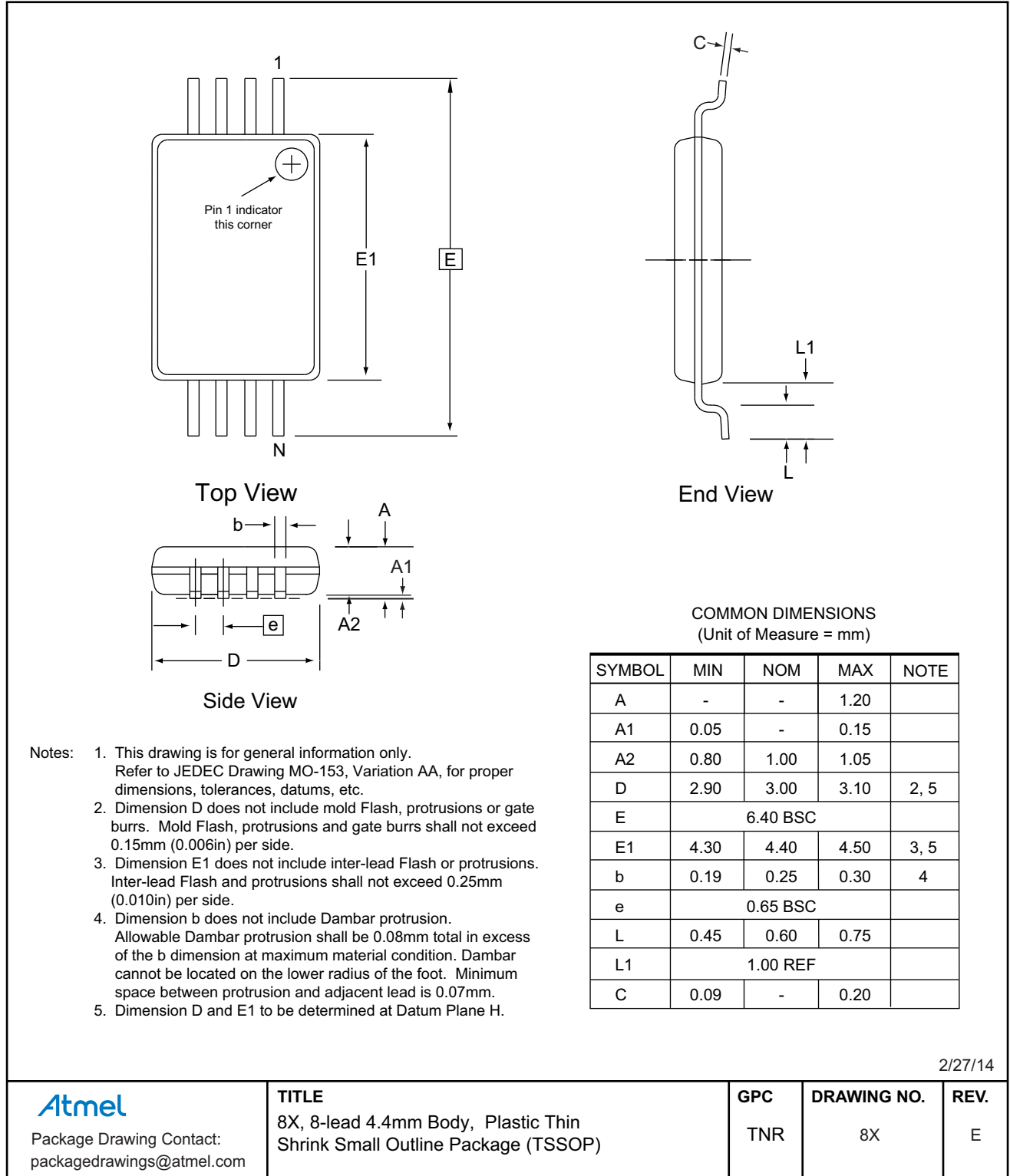
 Package Mark Contact: DL-CSO-Assy_eng@atmel.com	<b>TITLE</b>	<b>DRAWING NO.</b>	<b>REV.</b>
	<b>24C01-02DSM</b> , AT24C01D and AT24C02D Package Marking Information	24C01-02DSM	D

## 12. Packaging Information

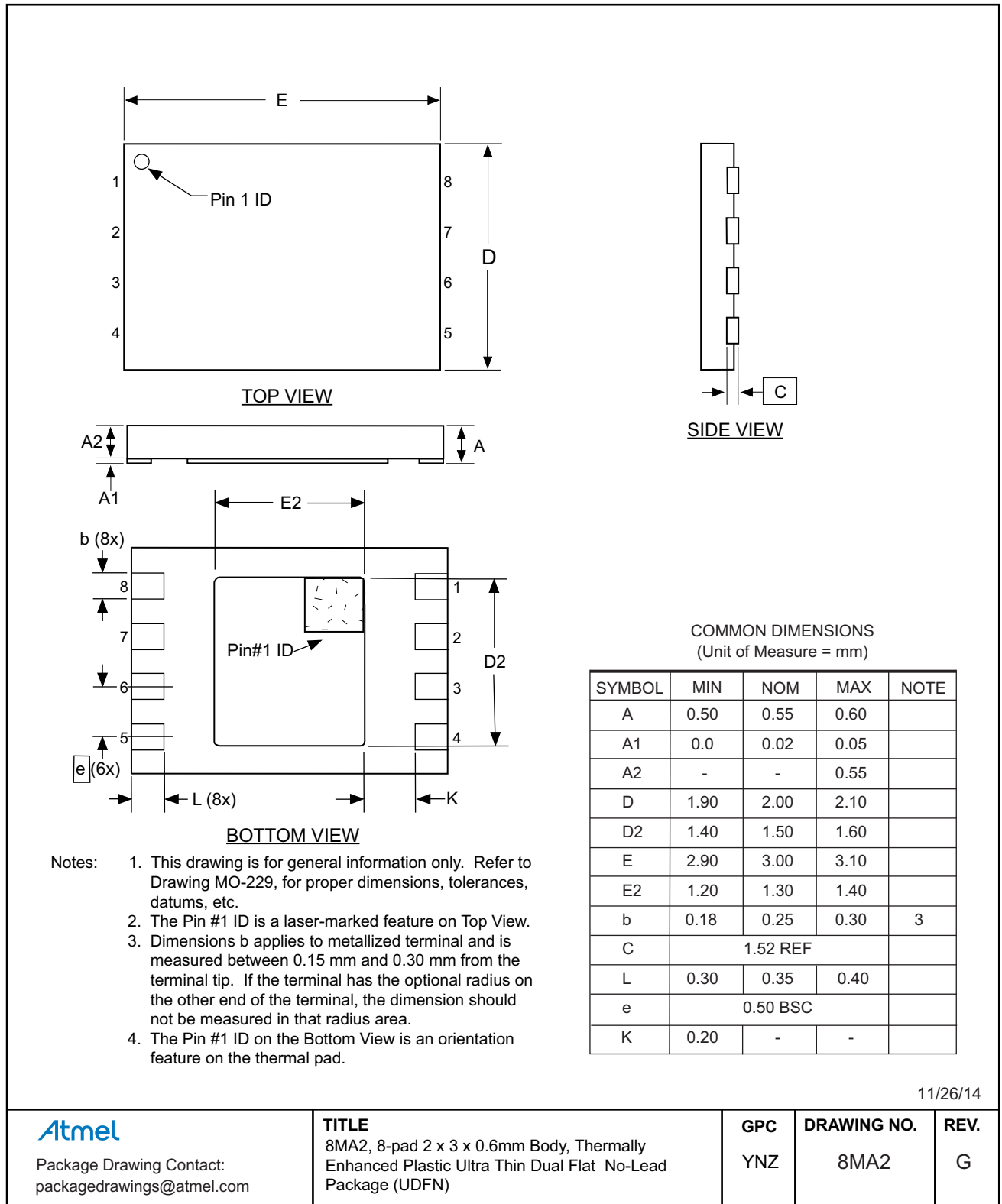
### 12.1 8S1 — 8-lead JEDEC SOIC



## 12.2 8X — 8-lead TSSOP



## 12.3 8MA2 — 8-pad UDFN



11/26/14

**Atmel**

Package Drawing Contact:  
packagedrawings@atmel.com

**TITLE**

8MA2, 8-pad 2 x 3 x 0.6mm Body, Thermally  
Enhanced Plastic Ultra Thin Dual Flat No-Lead  
Package (UDFN)

**GPC**

YNZ

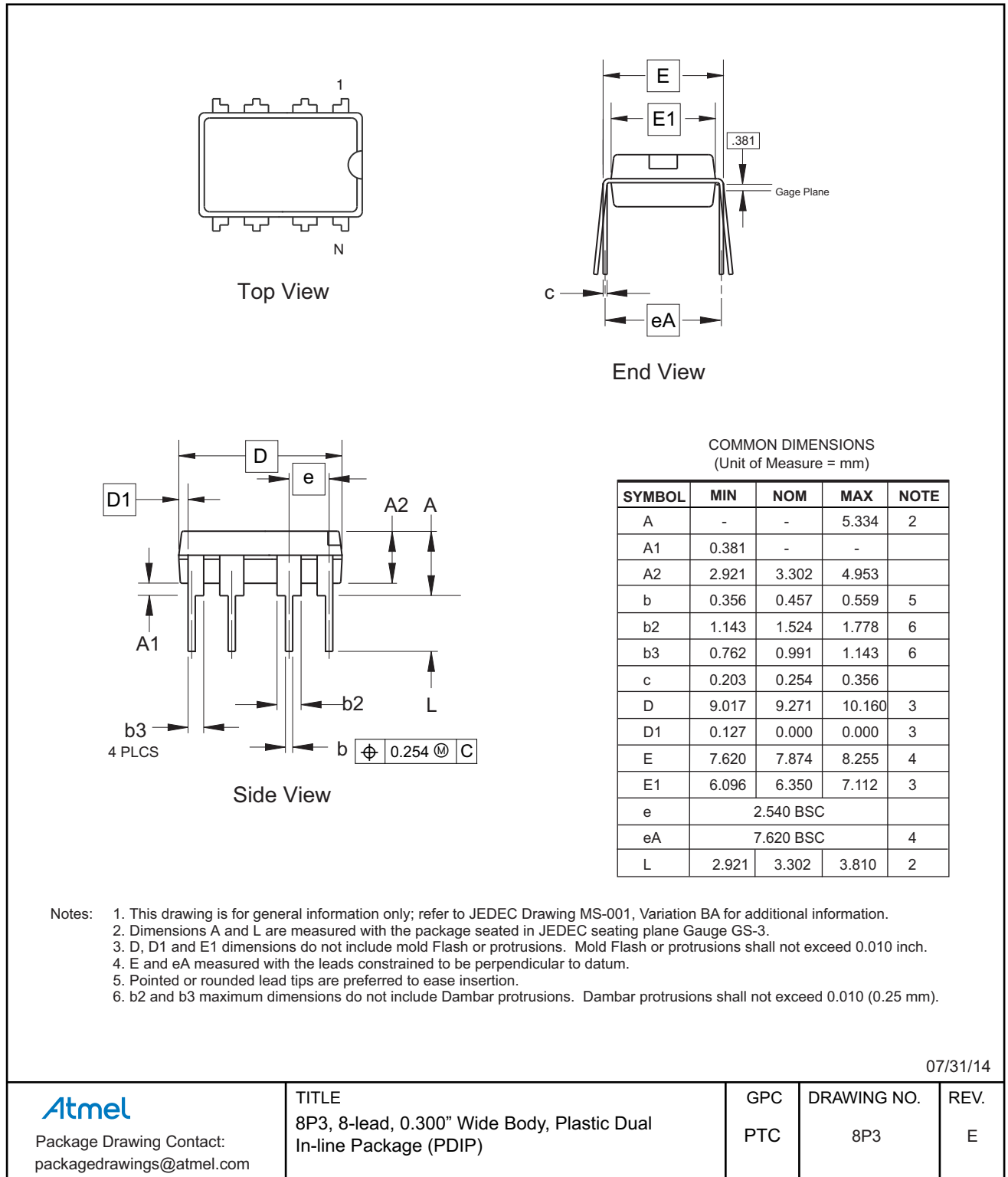
**DRAWING NO.**

8MA2

**REV.**

G

## 12.4 8P3 — 8-lead PDIP



07/31/14

**Atmel**

Package Drawing Contact:  
packagedrawings@atmel.com

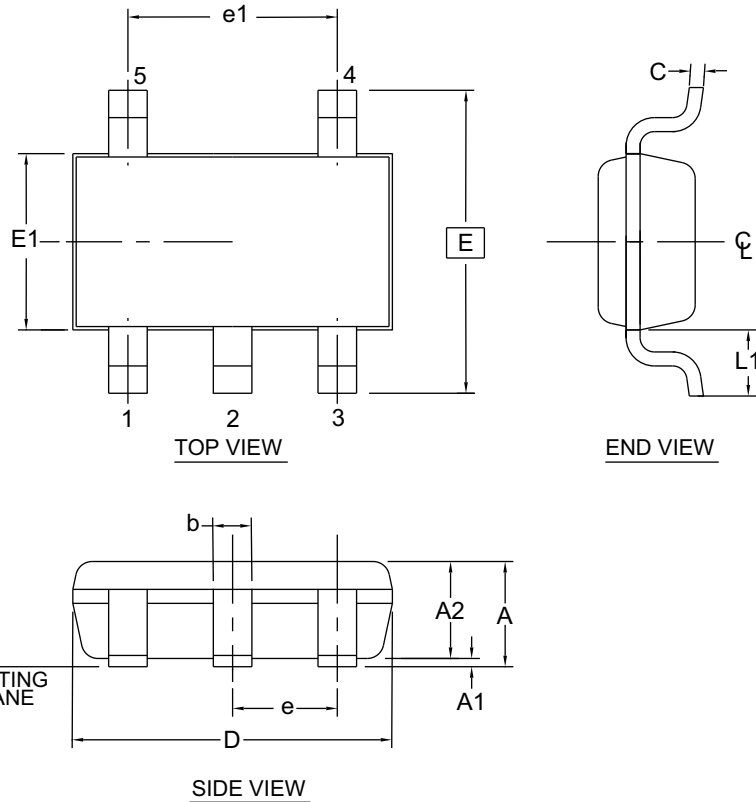
TITLE  
8P3, 8-lead, 0.300" Wide Body, Plastic Dual  
In-line Package (PDIP)

GPC  
PTC

DRAWING NO.  
8P3

REV.  
E

## 12.5 5ST1 — 5-lead SOT23



1. Dimension D does not include mold flash, protrusions or gate burrs. Mold flash, protrusions or gate burrs shall not exceed 0.15 mm per end. Dimension E1 does not include interlead flash or protrusion. Interlead flash or protrusion shall not exceed 0.15 mm per side.
2. The package top may be smaller than the package bottom. Dimensions D and E1 are determined at the outermost extremes of the plastic body exclusive of mold flash, tie bar burrs, gate burrs and interlead flash, but including any mismatch between the top and bottom of the plastic body.
3. These dimensions apply to the flat section of the lead between 0.08 mm and 0.15 mm from the lead tip.
4. Dimension "b" does not include dambar protrusion. Allowable dambar protrusion shall be 0.08 mm total in excess of the "b" dimension at maximum material condition. The dambar cannot be located on the lower radius of the foot. Minimum space between protrusion and an adjacent lead shall not be less than 0.07 mm.

This drawing is for general information only. Refer to JEDEC Drawing MO-193, Variation AB for additional information.

COMMON DIMENSIONS  
(Unit of Measure = mm)

SYMBOL	MIN	NOM	MAX	NOTE
A	-	-	1.00	
A1	0.00	-	0.10	
A2	0.70	0.90	1.00	
c	0.08	-	0.20	3
D	2.90 BSC			1,2
E	2.80 BSC			1,2
E1	1.60 BSC			1,2
L1	0.60 REF			
e	0.95 BSC			
e1	1.90 BSC			
b	0.30	-	0.50	3,4

5/31/12

**Atmel**

Package Drawing Contact:  
packagedrawings@atmel.com

TITLE

5TS1, 5-lead 1.60mm Body, Plastic Thin  
Shrink Small Outline Package (Shrink SOT)

GPC

TSZ

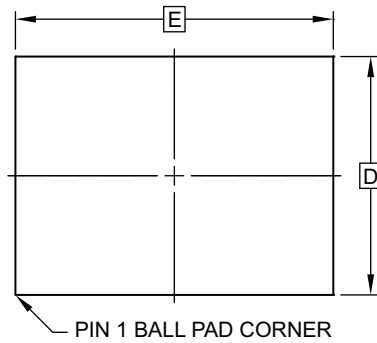
DRAWING NO.

5TS1

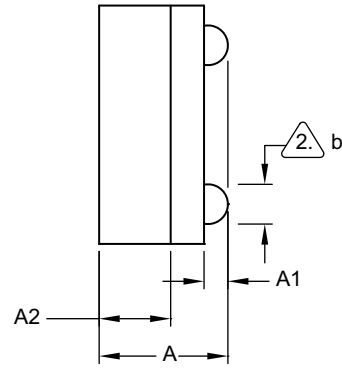
REV.

D

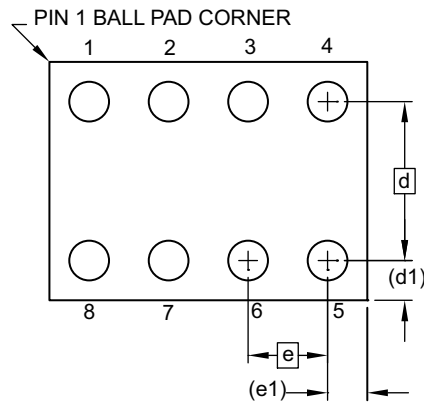
## 12.6 8U3-1 — 8-ball VFBGA



TOP VIEW



SIDE VIEW



BOTTOM VIEW  
8 SOLDER BALLS


**Notes:**

1. This drawing is for general information only.
2. Dimension 'b' is measured at maximum solder ball diameter.
3. Solder ball composition shall be 95.5Sn-4.0Ag-.5Cu.

COMMON DIMENSIONS  
(Unit of Measure - mm)

SYMBOL	MIN	NOM	MAX	NOTE
A	0.73	0.79	0.85	
A1	0.09	0.14	0.19	
A2	0.40	0.45	0.50	
b	0.20	0.25	0.30	2
D	1.50 BSC			
E	2.0 BSC			
e	0.50 BSC			
e1	0.25 REF			
d	1.00 BSC			
d1	0.25 REF			

6/11/13

 Package Drawing Contact: packagedrawings@atmel.com	TITLE 8U3-1, 8-ball, 1.50mm x 2.00mm body, 0.50mm pitch, Very Thin, Fine-Pitch Ball Grid Array Package (VFBGA)	GPC	DRAWING NO.	REV.
		GXU	8U3-1	F



## 13. Revision History

Doc. No.	Date	Comments
8871D	10/2015	Added AT24C02D-SSMHY-T ordering code option and updated the 8S1 package drawing.
8871C	01/2015	Added the 100kHz timing set for reference, the UDFN extended quantity option, and the figure for "System Configuration Using 2-Wire Serial EEPROMs". Updated 8X, 8MA2, and 8P3 package outline drawings and the ordering information.
8871B	03/2014	Corrected pinouts from bottom to top view and grammatical changes. No changes to functional specification.
8871A	12/2013	Initial document release.



Atmel®, Atmel logo and combinations thereof, Enabling Unlimited Possibilities®, and others are registered trademarks or trademarks of Atmel Corporation in U.S. and other countries. Other terms and product names may be trademarks of others.

DISCLAIMER: The information in this document is provided in connection with Atmel products. No license, express or implied, by estoppel or otherwise, to any intellectual property right is granted by this document or in connection with the sale of Atmel products. EXCEPT AS SET FORTH IN THE ATMEL TERMS AND CONDITIONS OF SALES LOCATED ON THE ATMEL WEBSITE, ATMEL ASSUMES NO LIABILITY WHATSOEVER AND DISCLAIMS ANY EXPRESS, IMPLIED OR STATUTORY WARRANTY RELATING TO ITS PRODUCTS INCLUDING, BUT NOT LIMITED TO, THE IMPLIED WARRANTY OF MERCHANTABILITY, FITNESS FOR A PARTICULAR PURPOSE, OR NON-INFRINGEMENT. IN NO EVENT SHALL ATMEL BE LIABLE FOR ANY DIRECT, INDIRECT, CONSEQUENTIAL, PUNITIVE, SPECIAL OR INCIDENTAL DAMAGES (INCLUDING, WITHOUT LIMITATION, DAMAGES FOR LOSS AND PROFITS, BUSINESS INTERRUPTION, OR LOSS OF INFORMATION) ARISING OUT OF THE USE OR INABILITY TO USE THIS DOCUMENT, EVEN IF ATMEL HAS BEEN ADVISED OF THE POSSIBILITY OF SUCH DAMAGES. Atmel makes no representations or warranties with respect to the accuracy or completeness of the contents of this document and reserves the right to make changes to specifications and products descriptions at any time without notice. Atmel does not make any commitment to update the information contained herein. Unless specifically provided otherwise, Atmel products are not suitable for, and shall not be used in, automotive applications. Atmel products are not intended, authorized, or warranted for use as components in applications intended to support or sustain life.

SAFETY-CRITICAL, MILITARY, AND AUTOMOTIVE APPLICATIONS DISCLAIMER: Atmel products are not designed for and will not be used in connection with any applications where the failure of such products would reasonably be expected to result in significant personal injury or death ("Safety-Critical Applications") without an Atmel officer's specific written consent. Safety-Critical Applications include, without limitation, life support devices and systems, equipment or systems for the operation of nuclear facilities and weapons systems. Atmel products are not designed nor intended for use in military or aerospace applications or environments unless specifically designated by Atmel as military-grade. Atmel products are not designed nor intended for use in automotive applications unless specifically designated by Atmel as automotive-grade.

# Mouser Electronics

Authorized Distributor

Click to View Pricing, Inventory, Delivery & Lifecycle Information:

[Atmel:](#)

[AT24C02D-SSHM-T](#) [AT24C02D-XHM-B](#) [AT24C02D-XHM-T](#) [AT24C02D-MAHM-T](#) [AT24C01D-STUM-T](#) [AT24C01D-MAHM-T](#) [AT24C01D-SSHM-T](#) [AT24C01D-XHM-B](#)