

International  
**IR** Rectifier

Plug N Drive™ Integrated Power  
 Module for Appliance Motor Drive

IRAMS06UP60B

**iMOTION™ Series**

**6A, 600V**

**with Internal Shunt Resistor**

### Description

International Rectifier's IRAMS06UP60B is an Integrated Power Module developed and optimized for electronic motor control in appliance applications specifically for VF compressor drives for refrigerators and freezer or in heating and ventilation as electronic fan controls. The IRAMS06UP60B offers an extremely compact, high performance AC motor-driver in a single isolated package for a very simple design.

An internal shunt is included and offers easy current feedback and overcurrent monitor for precise control and safe operation. A built-in temperature monitor and over-current protection, along with the short-circuit rated IGBTs and integrated under-voltage lockout function, deliver high level of protection and fail-safe operation. The integration of the bootstrap diodes for the high-side driver section, and the single polarity power supply required to drive the internal circuitry, simplify the utilization of the module and deliver further cost reduction advantages.

### Features

- Internal Shunt Resistor
- Integrated Gate Drivers and Bootstrap Diodes
- Temperature Monitor
- Overcurrent shutdown
- Fully Isolated Package.
- Low  $V_{CE(on)}$  Non Punch Through IGBT Technology
- Undervoltage lockout for all channels
- Matched propagation delay for all channels
- Schmitt-triggered input logic
- Cross-conduction prevention logic
- Lower di/dt gate driver for better noise immunity
- Motor Power range 0.1~0.5kW / 85~253 Vac
- Isolation 2000V<sub>RMS</sub>/1min



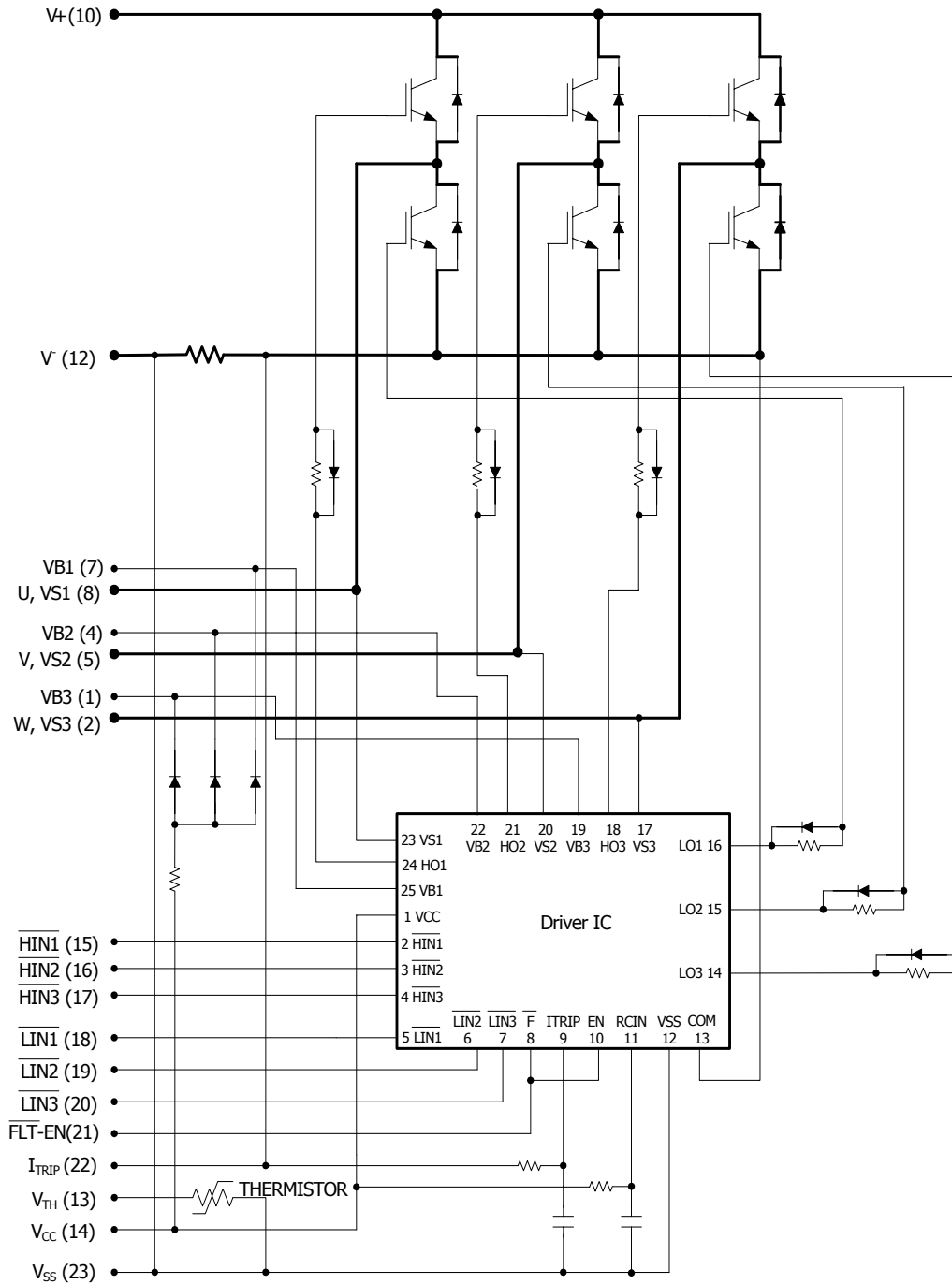
### Absolute Maximum Ratings

Parameter	Description	Max. Value	Units
$V_{CES}$	Maximum IGBT Blocking Voltage	600	V
$V^*$	Positive Bus Input Voltage	450	
$I_o @ T_C=25^\circ C$	RMS Phase Current	6	A
$I_o @ T_C=100^\circ C$	RMS Phase Current	3	
$I_{pk}$	Max Peak Phase Current (tp<100ms) (see Note 1)	9	
$F_p$	Maximum PWM Carrier Frequency	20	kHz
$P_d$	Maximum Power dissipation per Phase	7.5	W
$V_{iso}$	Isolation Voltage (1min)	2000	V <sub>RMS</sub>
$T_J$ (IGBT & Diodes)	Operating Junction temperature Range	-40 to +150	°C
$T_J$ (Driver IC)	Operating Junction temperature Range	-40 to +150	
T	Mounting torque Range (M3 screw)	0.8 to 1.0	Nm

Note 1: Limited by current protection, see table "Inverter Section Electrical Characteristics" on page 3

# IRAMS06UP60B

## Internal Electrical Schematic - IRAMS06UP60B



**Inverter Section Electrical Characteristics @ T<sub>j</sub> = 25°C**

Symbol	Parameter	Min	Typ	Max	Units	Conditions
V <sub>(BR)CES</sub>	Collector-to-Emitter Breakdown Voltage	600	---	---	V	V <sub>IN</sub> =5V, I <sub>C</sub> =250μA
ΔV <sub>(BR)CES</sub> / ΔT	Temperature Coeff. Of Breakdown Voltage	---	0.3	---	V/°C	V <sub>IN</sub> =5V, I <sub>C</sub> =1.0mA (25°C - 150°C)
V <sub>CE(ON)</sub>	Collector-to-Emitter Saturation Voltage	---	1.9	2.4	V	I <sub>C</sub> =3A, V <sub>DD</sub> =15V
		---	2.2	2.6		I <sub>C</sub> =3A, V <sub>DD</sub> =15V, T <sub>J</sub> =150°C
I <sub>CES</sub>	Zero Gate Voltage Collector-to-Emitter Current	---	15	45	μA	V <sub>IN</sub> =5V, V <sup>+</sup> =600V
		---	60	170		V <sub>IN</sub> =5V, V <sup>+</sup> =600V, T <sub>J</sub> =150°C
I <sub>Ik_module</sub>	Zero Gate Phase-to-Phase Current	--	--	50	μA	V <sub>IN</sub> =5V, V <sup>+</sup> =600V
V <sub>FM</sub>	Diode Forward Voltage Drop	---	1.45	1.85	V	I <sub>C</sub> =3A
		---	1.25	1.65		I <sub>C</sub> =3A, T <sub>J</sub> =150°C
I <sub>BUS_Trip</sub>	Current Protection Threshold (positive going)	8.5	---	10.5	A	T <sub>J</sub> =-40°C to 150°C (Overcurrent duration ≥ 6μs)

**Inverter Section Switching Characteristics @ T<sub>j</sub> = 25°C**

Symbol	Parameter	Min	Typ	Max	Units	Conditions
E <sub>on</sub>	Turn-On Switching Loss	---	130	235	μJ	I <sub>C</sub> =3A, V <sup>+</sup> =400V V <sub>DD</sub> =15V, L=1mH
E <sub>off</sub>	Turn-Off Switching Loss	---	65	120		
E <sub>tot</sub>	Total Switching Loss	---	195	355		
E <sub>on</sub>	Turn-on Switching Loss	---	200	345	μJ	See CT1 T <sub>J</sub> =150°C
E <sub>off</sub>	Turn-off Switching Loss	---	90	150		
E <sub>tot</sub>	Total Switching Loss	---	290	495		
E <sub>rec</sub>	Diode Rev. Recovery energy	---	50	110	μJ	T <sub>J</sub> =150°C, V <sup>+</sup> =400V V <sub>DD</sub> =15V,
t <sub>rr</sub>	Diode Reverse Recovery time	---	150	200	ns	I <sub>F</sub> =3A, L=1mH
RBSOA	Reverse Bias Safe Operating Area	FULL SQUARE				T <sub>J</sub> =150°C, I <sub>C</sub> =3A, V <sub>p</sub> =600V V <sup>+</sup> =480V, V <sub>DD</sub> =+15V to 0V See CT3
SCSOA	Short Circuit Safe Operating Area	10	---	---	μs	T <sub>J</sub> =150°C, V <sub>p</sub> =600V, V <sup>+</sup> =360V, V <sub>DD</sub> =+15V to 0V See CT2

**Thermal Resistance**

Symbol	Parameter	Min	Typ	Max	Units	Conditions
R <sub>th(J-C)</sub>	Junction to case thermal resistance, each IGBT under inverter operation.	---	---	6.5	°C/W	Flat, greased surface. Heatsink compound thermal conductivity - 1W/mK
R <sub>th(J-C)</sub>	Junction to case thermal resistance, each Diode under inverter operation.	---	---	9	°C/W	
R <sub>th(C-S)</sub>	Case to sink thermal resistance	---	0.1	---	°C/W	

## Absolute Maximum Ratings Driver Function

Absolute Maximum Ratings indicate substained limits beyond which damage to the device may occur. All voltage parameters are absolute voltages referenced to  $V_{SS}$ . (Note 2)

Symbol	Definition	Min	Max	Units
$V_{S1,2,3}$	High Side offset voltage	-0.3	600	V
$V_{B1,2,3}$	High Side floating supply voltage	-0.3	20	V
$V_{DD}$	Low Side and logic fixed supply voltage	-0.3	20	V
$V_{IN}$	Input voltage LIN, HIN, T/ $I_{TRIP}$	-0.3	$V_{SS}+15$	V
$T_J$	Junction Temperature	-40	150	°C

## Recommended Operating Conditions Driver Function

The Input/Output logic timing diagram is shown in Figure 1. For proper operation the device should be used within the recommended conditions. All voltages are absolute referenced to  $V_{SS}$ . The  $V_S$  offset is tested with all supplies biased at 15V differential (Note 2). All input pin ( $V_{IN}$ ) and  $I_{TRIP}$  are clamped with a 5.2V zener diode and pull-up resistor to  $V_{DD}$ .

Symbol	Definition	Min	Max	Units
$V_{B1,2,3}$	High side floating supply voltage	$V_S+12$	$V_S+20$	V
$V_{S1,2,3}$	High side floating supply offset voltage	Note 3	450	
$V_{DD}$	Low side and logic fixed supply voltage	12	20	V
$V_{IN}$	Logic input voltage LIN, HIN	$V_{SS}$	$V_{SS}+5$	V

## Static Electrical Characteristics Driver Function

$V_{BIAS}$  ( $V_{DD}$ ,  $V_{BS1,2,3}$ )=15V, unless otherwise specified. The  $V_{IN}$  and  $I_{IN}$  parameters are referenced to  $V_{SS}$  and are applicable to all six channels. (Note 2)

Symbol	Definition	Min	Typ	Max	Units
$V_{IN,th+}$	Positive going input threshold	3.0	---	---	V
$V_{IN,th-}$	Negative going input threshold	---	---	0.8	V
$V_{CCUV+}$ $V_{BSUV+}$	$V_{CC}$ and $V_{BS}$ supply undervoltage Positive going threshold	10.6	11.1	11.6	V
$V_{CCUV-}$ $V_{BSUV-}$	$V_{CC}$ and $V_{BS}$ supply undervoltage Negative going threshold	10.4	10.9	11.4	V
$V_{CCUVH}$ $V_{BSUVH}$	$V_{CC}$ and $V_{BS}$ supply undervoltage $I_{lockout}$ hysteresis	---	0.2	---	V
$I_{QBS}$	Quiescent $V_{BS}$ supply current	---	70	120	μA
$I_{QCC}$	Quiescent $V_{CC}$ supply current	---	1.6	2.3	mA
$I_{LK}$	Offset Supply Leakage Current	---	---	50	μA
$I_{IN+}$	Input bias current (OUT=LO)	---	100	220	μA
$I_{IN+}$	Input bias current (OUT=HI)	---	200	300	μA
$V(I_{TRIP})$	$I_{TRIP}$ threshold Voltage (OUT=HI or OUT=LO)	0.44	0.49	0.54	V

## Dynamic Electrical Characteristics

$V_{DD}=V_{BS}=V_{BIAS}=15V$ ,  $PWM_{IN}=2KHz$ ,  $V_{IN\_ON}=V_{IN\_th+}$ ,  $V_{IN\_OFF}=V_{IN\_th-}$   
 $T_A=25^{\circ}C$ , unless otherwise specified

Symbol	Definition	Min	Typ	Max	Units
$T_{ON}$	Input to output propagation turn-on delay time (see fig. 11)	-	470	-	ns
$T_{OFF}$	Input to output propagation turn-off delay time (see fig. 11)	-	615	-	ns
$D_T$	Dead Time	-	290	-	ns
$I/T_{Trip}$	$T/I_{Trip}$ to six switch to turn-off propagation delay (see fig. 2)	-	750	-	ns
$T_{FCTRL}$	Post $I_{Trip}$ to six switch to turn-off clear time (see fig. 2)	-	9	-	ms

## Internal NTC - Thermistor Characteristics

Parameter	Typ	Units	Conditions
$R_{25}$ Resistance	100 +/- 3%	k $\Omega$	$T_C = 25^{\circ}C$
$R_{125}$ Resistance	2.522 $\pm$ 10.9%	k $\Omega$	$T_C = 125^{\circ}C$
B B-constant (25-50 $^{\circ}C$ )	4250 +/- 2%	k	$R_2 = R_1 e^{[B(1/T_2 - 1/T_1)]}$
Temperature Range	-40 / 125	$^{\circ}C$	
Typ. Dissipation constant	1	mW/ $^{\circ}C$	$T_C = 25^{\circ}C$

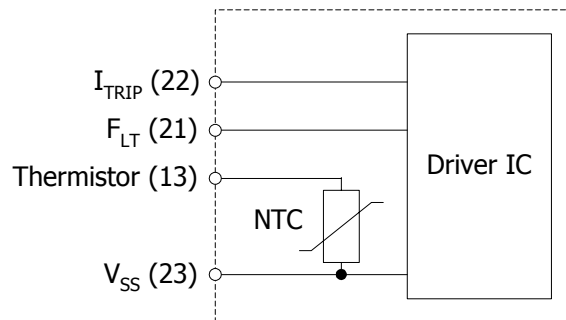
## Internal Current Sensing Resistor - Shunt Characteristics

Parameter		Units
Resistance	50 $\pm$ 1%	m $\Omega$
Tolerance	$\pm$ 1%	
Max Power Dissipation	1.5	W
Temperature Range	-40 / 125	$^{\circ}C$

Note 2: For more details, see IR21363 data sheet

Note 3: Logic operational for  $V_S$  from  $V^- -5V$  to  $V^- +600V$ . Logic state held for  $V_S$  from  $V^- -5V$  to  $V^- -V_{BS}$ . (please refer to DT97-3 for more details)

## Thermistor Built-in IRAMS06UP60B



Note 4: The Maximum recommended sense voltage at the  $I_{TRIP}$  terminal under normal operating conditions is 3.3V.

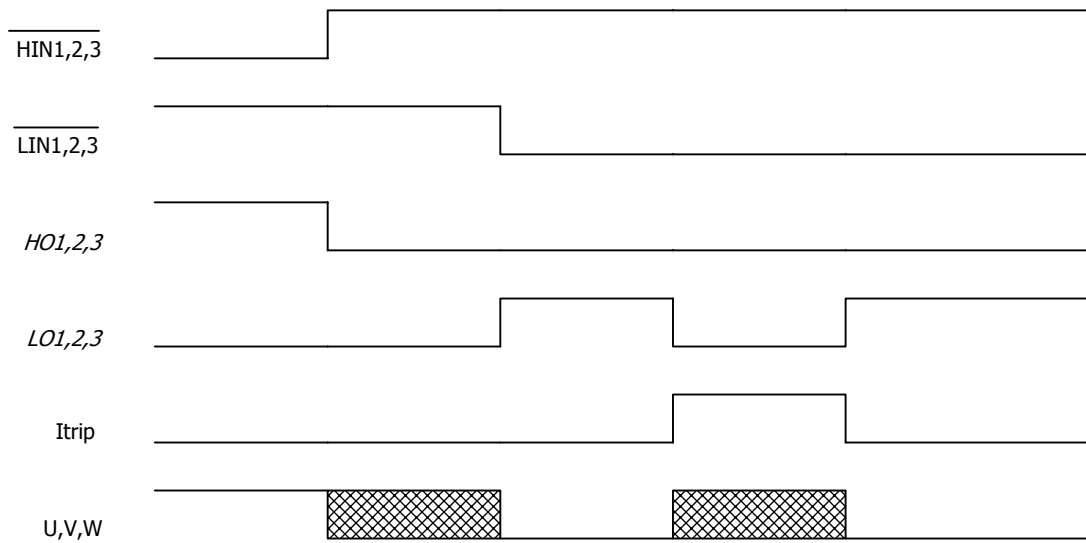
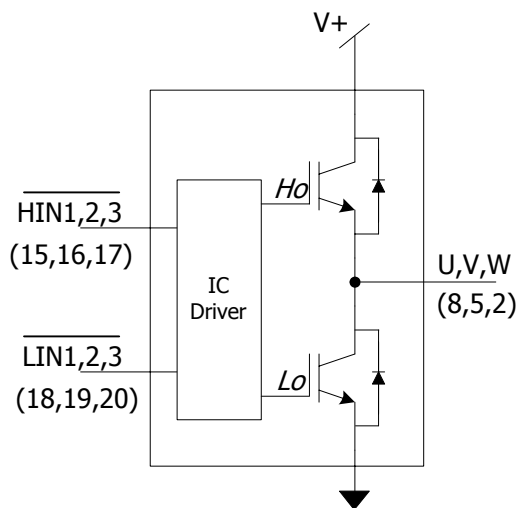
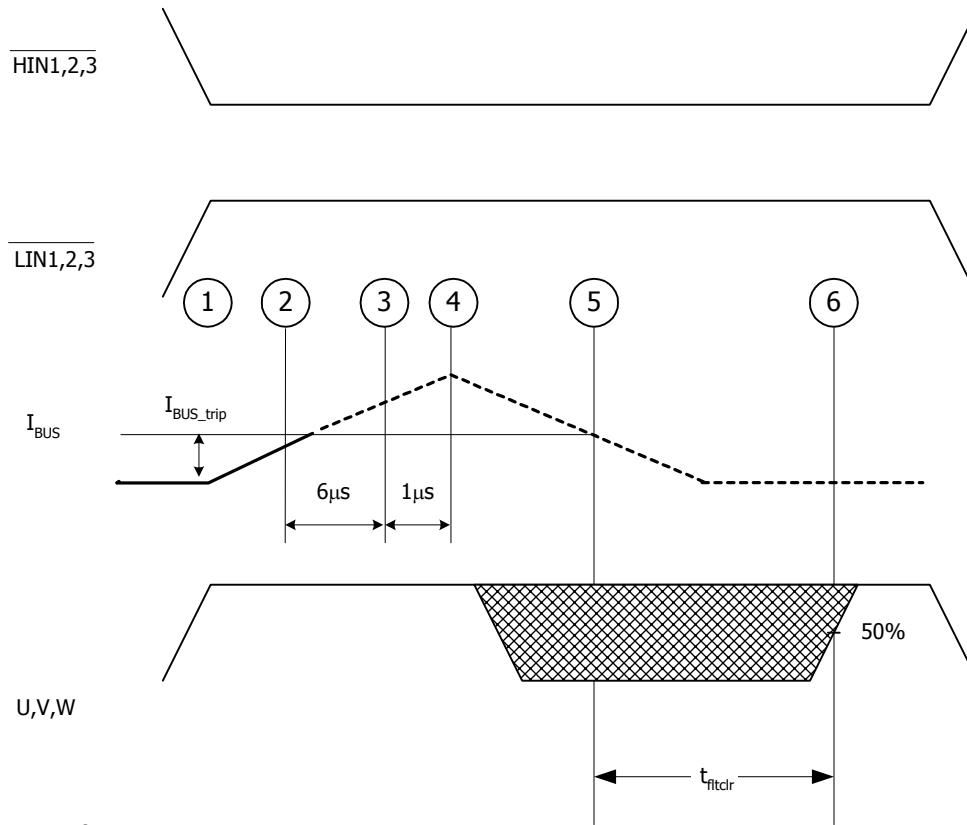


Figure1. Input/Output Timing Diagram

Note 5: The shaded area indicates that both high-side and low-side switches are off and therefore the half-bridge output voltage would be determined by the direction of current flow in the load.



$I_{trip}$	$\overline{HIN1,2,3}$	$\overline{LIN1,2,3}$	$U,V,W$
0	0	1	V+
0	1	0	0
0	1	1	X
1	X	X	X



Sequence of events:

- 1-2) Current begins to rise
- 2) Current reaches  $I_{BUS\_Trip}$  level
- 2-3) Current is higher than  $I_{BUS\_Trip}$  for at least 6µs. This value is the worst-case condition with very low over-current. In case of high current (short circuit), the actual delay will be smaller.
- 3-4) Delay between driver identification of over-current condition and disabling of all outputs
- 4) Current starts decreasing, eventually reaching 0
- 5) Current goes below  $I_{BUS\_trip}$ , the driver starts its auto-reset sequence
- 6) Driver is automatically reset and normal operation can resume (over-current condition must be removed by the time the drivers automatically resets itself)

Figure 2.  $I_{Trip}$  Timing Waveform

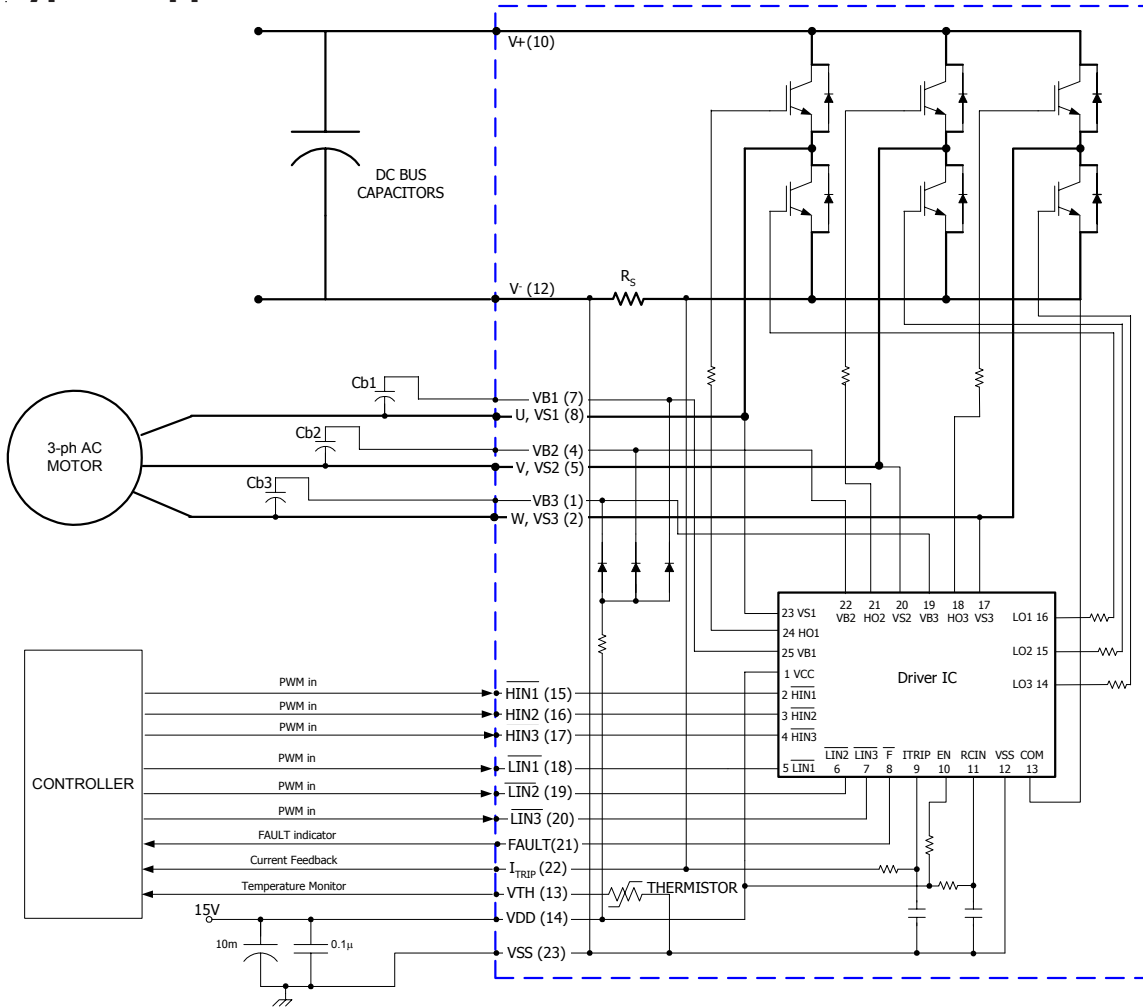
Note 6: The shaded area indicates that both high-side and low-side switches are off and therefore the half-bridge output voltage would be determined by the direction of current flow in the load.

**Module Pin-Out Description**

Pin	Name	Description
1	$V_{B3}$	High Side Floating Supply Voltage 3
2	$W, V_{S3}$	Output 3 - High Side Floating Supply Offset Voltage
3	NA	none
4	$V_{B2}$	High Side Floating Supply voltage 2
5	$V, V_{S2}$	Output 2 - High Side Floating Supply Offset Voltage
6	NA	none
7	$V_{B1}$	High Side Floating Supply voltage 1
8	$U, V_{S1}$	Output 1 - High Side Floating Supply Offset Voltage
9	NA	none
10	$V^+$	Positive Bus Input Voltage
11	NA	none
12	$V^-$	Negative Bus Input Voltage
13	$V_{TH}$	Temperature Feedback
14	$V_{CC}$	+15V Main Supply
15	$\overline{H}_{IN1}$	Logic Input High Side Gate Driver - Phase 1
16	$\overline{H}_{IN2}$	Logic Input High Side Gate Driver - Phase 2
17	$\overline{H}_{IN3}$	Logic Input High Side Gate Driver - Phase 3
18	$\overline{L}_{IN1}$	Logic Input Low Side Gate Driver - Phase 1
19	$\overline{L}_{IN2}$	Logic Input Low Side Gate Driver - Phase 2
20	$\overline{L}_{IN3}$	Logic Input Low Side Gate Driver - Phase 3
21	$\overline{FLT}/\text{Enable}$	Fault Output and Enable Pin
22	$I_{TRIP}$	Current Sense and Itrip Pin
23	$V_{SS}$	Negative Main Supply



**Typical Application Connection IRAMS06UP60B**



1. Electrolytic bus capacitors should be mounted as close to the module bus terminals as possible to reduce ringing and EMI problems. Additional high frequency ceramic capacitor mounted close to the module pins will further improve performance.
2. In order to provide good decoupling between  $V_{CC}$ -Gnd and  $V_B$ - $V_{SS}$  terminals, the capacitors shown connected between these terminals should be located very close to the module pins. Additional high frequency capacitors, typically  $0.1\mu F$ , are strongly recommended.
3. Value of the boot-strap capacitors depends upon the switching frequency. Their selection should be made based on IR design tip DN 98-2a, application note AN-1044 or Figure 9.
4. Current sense signal can be obtained from pin 22 and pin 23
5. After approx. 9 ms the FAULT is reset
6. PWM generator must be disabled within Fault duration to guarantee shutdown of the system, overcurrent condition must be cleared before resuming operation

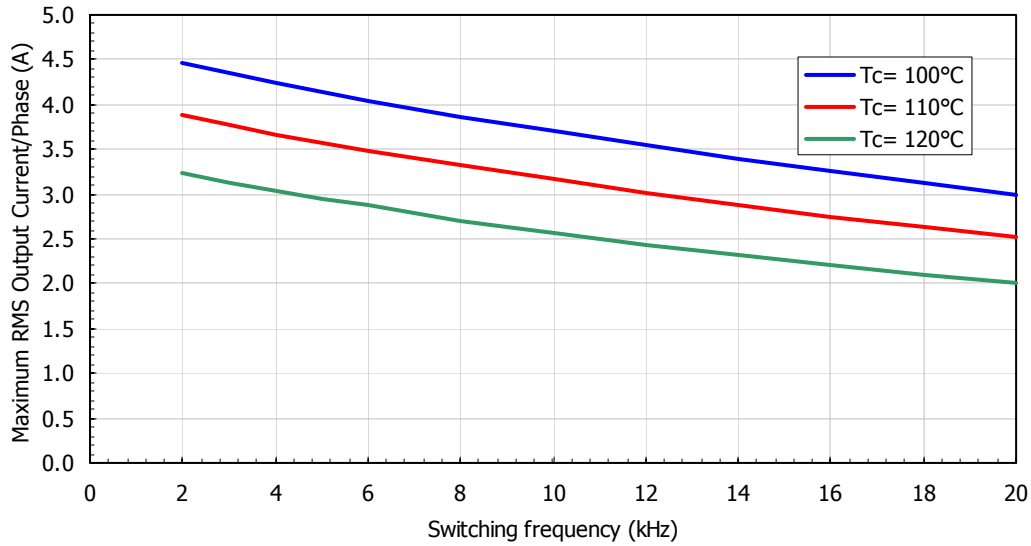


Figure 3. Maximum sinusoidal phase current as function of switching frequency  
 $V_+ = 400V$ ,  $T_j = 150^\circ C$ , Modulation Depth=0.8, PF=0.6

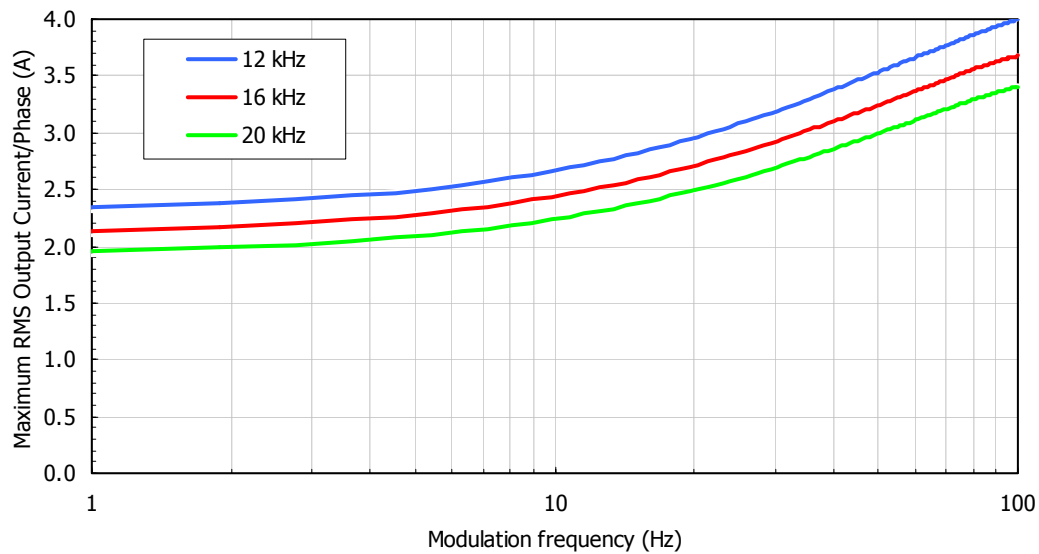


Figure 4. Maximum sinusoidal phase current as function of modulation frequency  
 $V_+ = 400V$ ,  $T_j = 150^\circ C$ ,  $T_c = 100^\circ C$ , Modulation Depth=0.8, PF=0.6

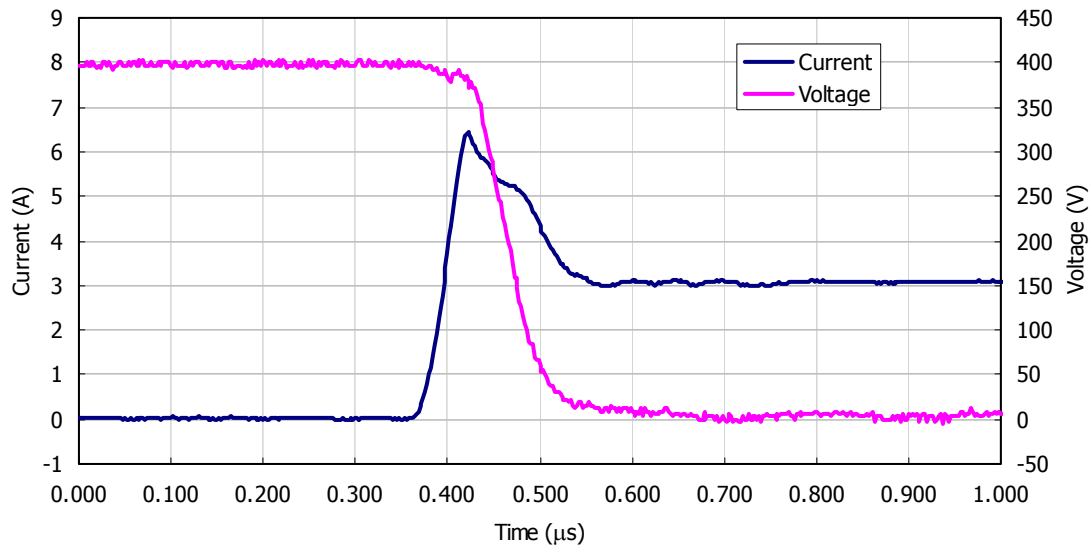


Figure 5. IGBT Turn-on. Typical turn-on waveform @ $T_j=125^\circ\text{C}$ ,  $V_+=400\text{V}$

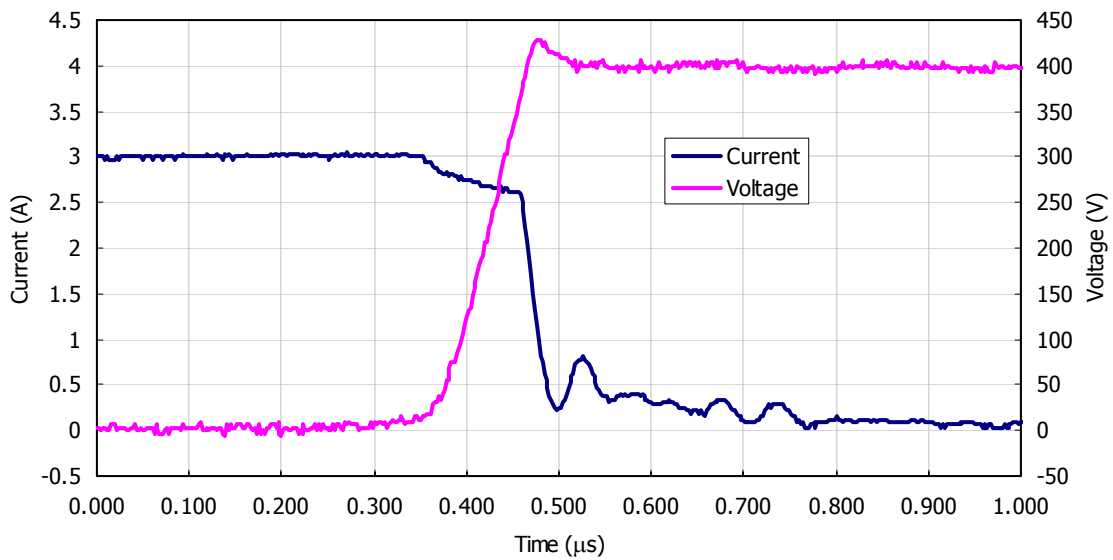


Figure 6. IGBT Turn-off. Typical turn-off waveform @ $T_j=125^\circ\text{C}$ ,  $V_+=400\text{V}$

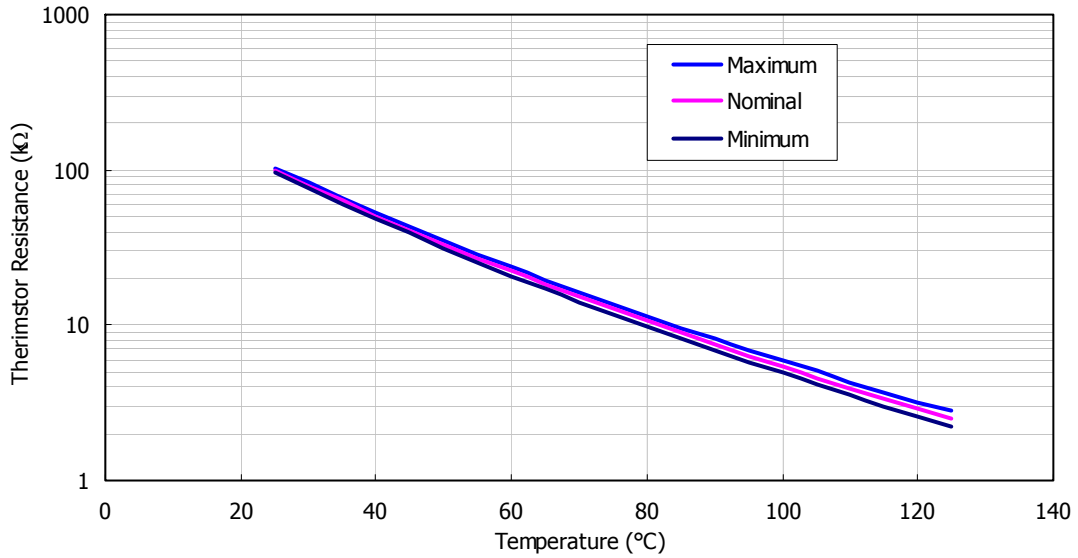


Figure 7. Variation of thermistor resistance with temperature

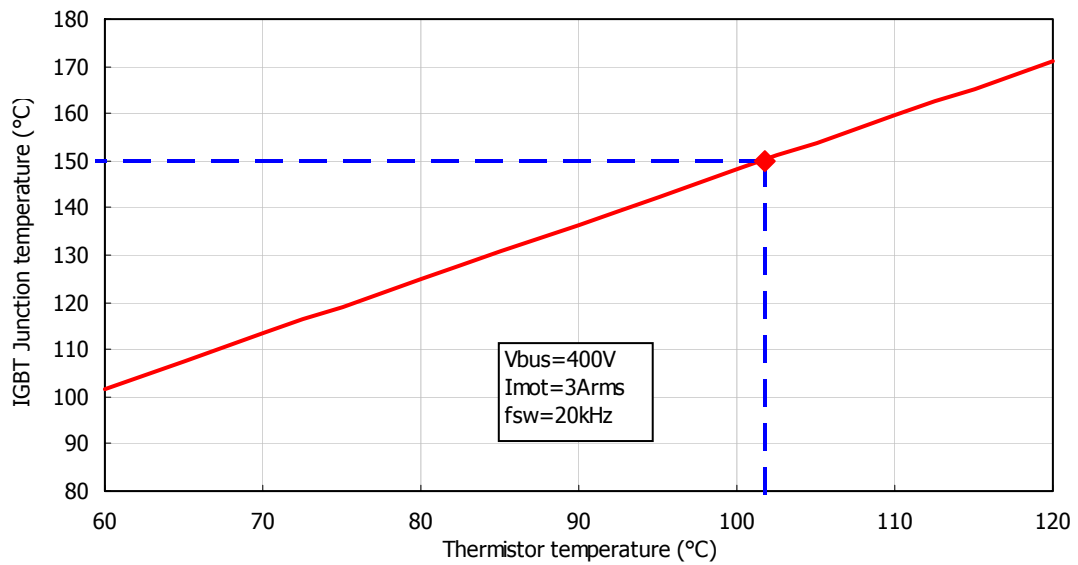


Figure 8. Estimated maximum IGBT junction temperature with thermistor temperature

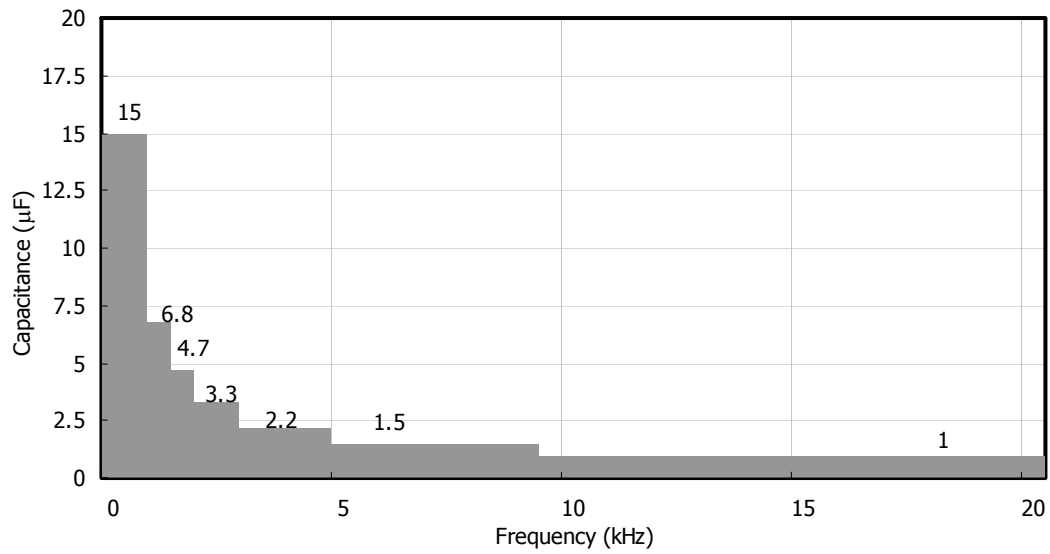


Figure 9. Recommended minimum Bootstrap Capacitor value Vs Switching Frequency

Figure 11. Switching Parameter Definitions

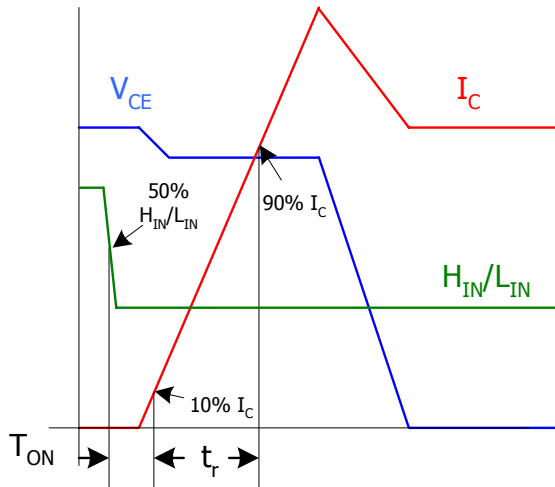


Figure 11a. Input to Output propagation turn-on delay time

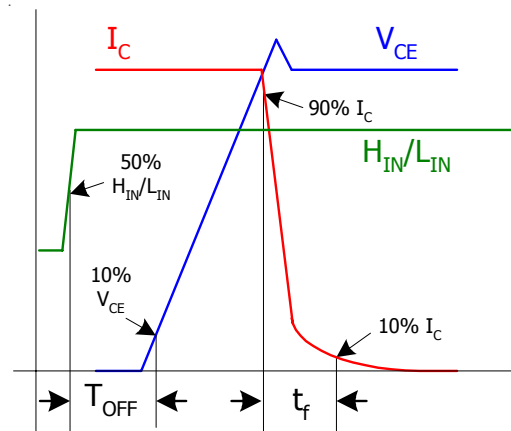


Figure 11b. Input to Output propagation turn-off delay time

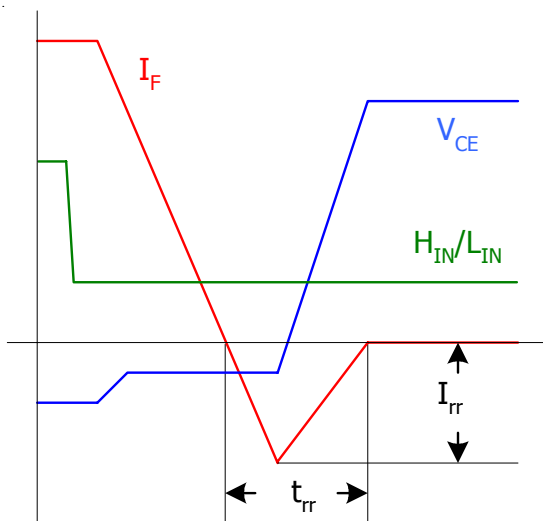


Figure 11c. Diode Reverse Recovery

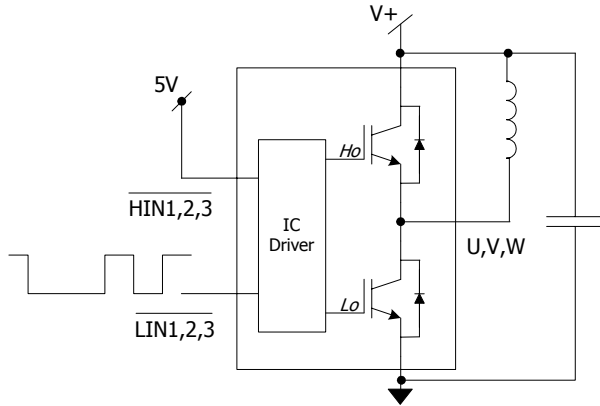


Figure CT1. Switching Loss Circuit

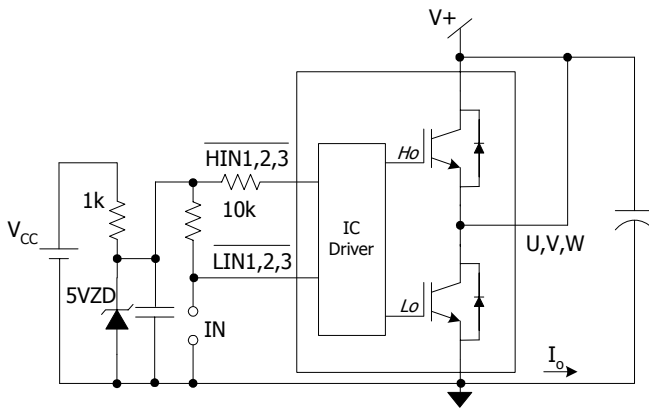
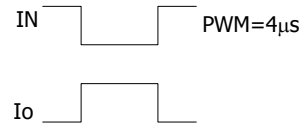


Figure CT2. S.C.SOA Circuit



$V_p$  = Peak Voltage on the IGBT die

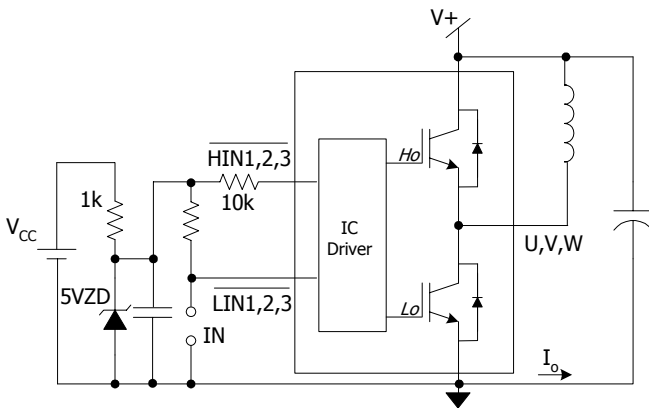
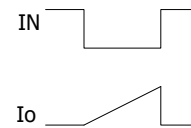


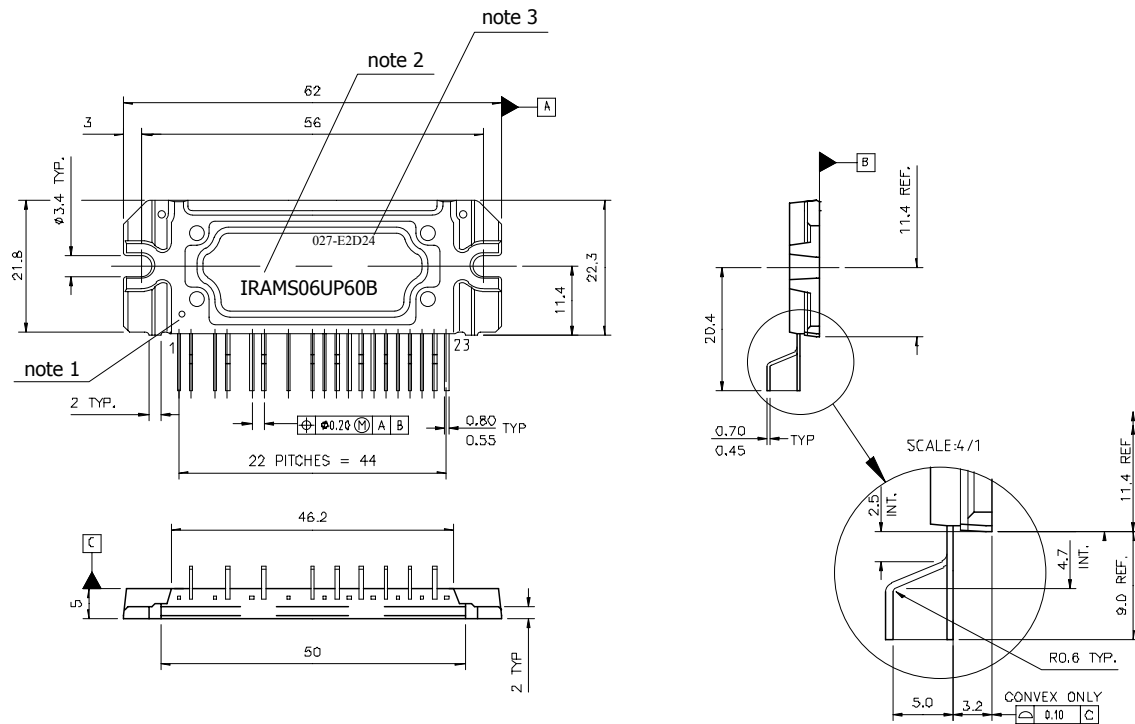
Figure CT3. R.B.SOA Circuit



$V_p$  = Peak Voltage on the IGBT die

# IRAMS06UP60B

## Package Outline



## Standard pin leadforming option

### Notes:

Dimensions in mm

1- Marking for pin 1 identification

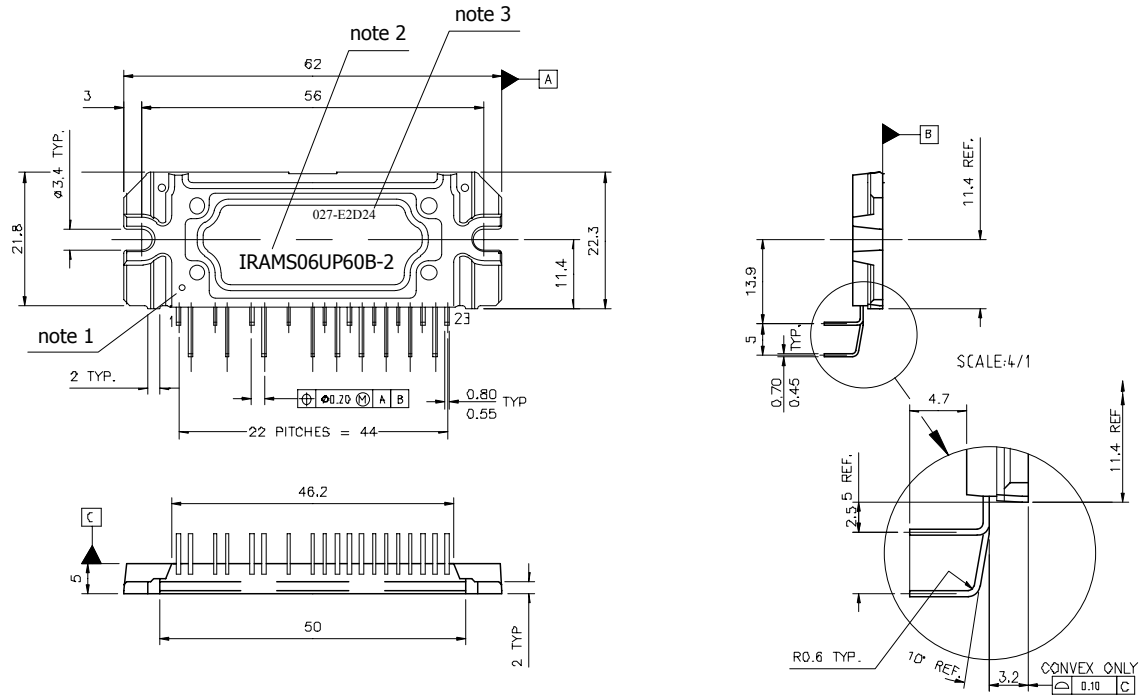
2- Product Part Number

3- Lot and Date code marking

For mounting instruction, see AN1049



## Package Outline



### Pin leadforming option -2

**Notes:**

Dimensions in mm

- 1- Marking for pin 1 identification
- 2- Product Part Number
- 3- Lot and Date code marking

Data and Specifications are subject to change without notice



# Mouser Electronics

Authorized Distributor

Click to View Pricing, Inventory, Delivery & Lifecycle Information:

[International Rectifier:](#)

[IRAMS06UP60B](#) [IRAMS06UP60B-2](#)