

## N- and P-Channel Enhancement-Mode MOSFET Pair

### Features

- ▶ Integrated GATE-to-SOURCE resistor
- ▶ Integrated GATE-to-SOURCE Zener diode
- ▶ Low threshold
- ▶ Low on-resistance
- ▶ Low input capacitance
- ▶ Fast switching speeds
- ▶ Free from secondary breakdown
- ▶ Low input and output leakage
- ▶ Independent, electrically isolated N- and P-channels

### Applications

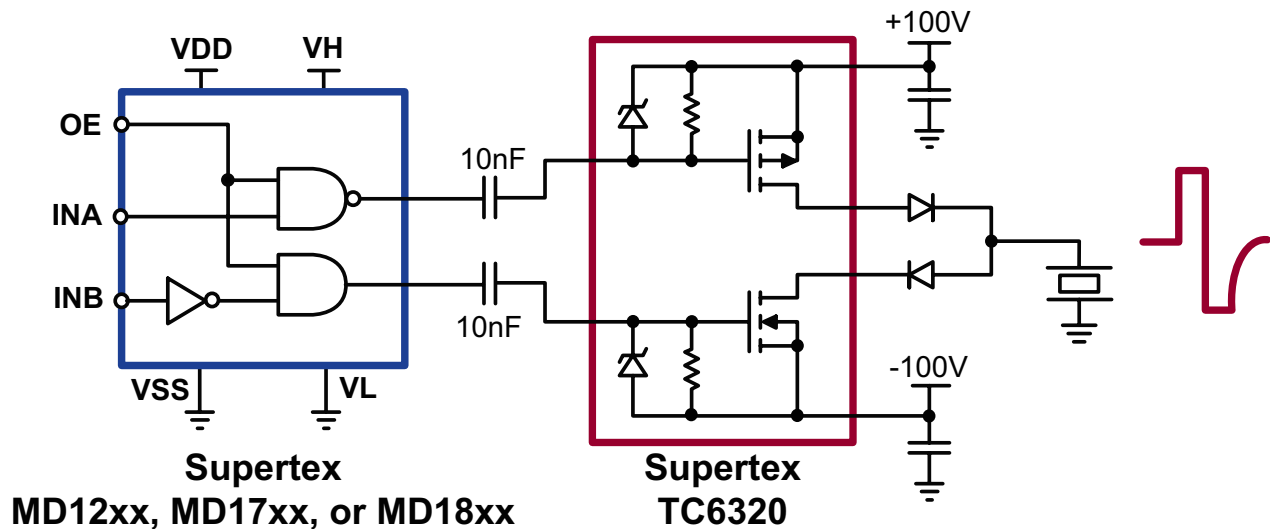
- ▶ High voltage pulsers
- ▶ Amplifiers
- ▶ Buffers
- ▶ Piezoelectric transducer drivers
- ▶ General purpose line drivers
- ▶ Logic level interfaces

### General Description

The Supertex TC6320 consists of high voltage, low threshold N-channel and P-channel MOSFETs in 8-Lead SOIC and DFN packages. Both MOSFETs have integrated GATE-to-SOURCE resistors and GATE-to-SOURCE Zener diode clamps which are desired for high voltage pulser applications. It is a complimentary, high-speed, high voltage, GATE-clamped N- and P-channel MOSFET pair, which utilizes an advanced vertical DMOS structure and Supertex's well-proven silicon-gate manufacturing process. This combination produces a device with the power handling capabilities of bipolar transistors and with the high input impedance and positive temperature coefficient inherent in MOS devices. Characteristic of all MOS structures, this device is free from thermal runaway and thermally induced secondary breakdown.

Supertex's vertical DMOS FETs are ideally suited to a wide range of switching and amplifying applications where very low threshold voltage, high breakdown voltage, high input impedance, low input capacitance, and fast switching speeds are desired.

### Typical Application Circuit



## Ordering Information

Part Number	Package Option	Packing
TC6320K6-G	8-Lead DFN (4x4)	3000/Reel
TC6320TG-G	8-Lead SOIC	2000/Reel

-G indicates package is RoHS compliant ("Green")



## Absolute Maximum Ratings

Parameter	Value
DRAIN-to-SOURCE voltage	$BV_{DSS}$
DRAIN-to-GATE voltage	$BV_{DGS}$
Operating and storage temperature	-55°C to +150°C

Absolute Maximum Ratings are those values beyond which damage to the device may occur. Functional operation under these conditions is not implied. Continuous operation of the device at the absolute rating level may affect device reliability. All voltages are referenced to device ground.

## Typical Thermal Resistance

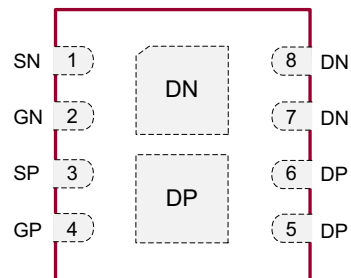
Package	$\theta_{ja}$
8-Lead DFN	44°C/W
8-Lead SOIC	101°C/W

Note:  
1.0oz, 4-layer, 3"x4" PCB

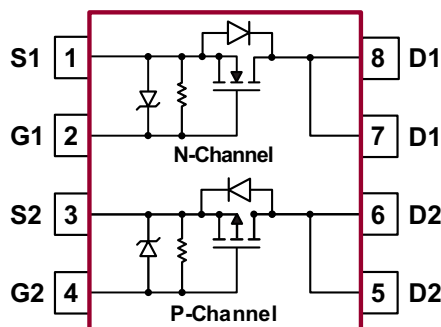
## Product Summary

$BV_{DSS}/BV_{DGS}$ (V)		$R_{DS(ON)}$ (typ) ( $\Omega$ )	
N-Channel	P-Channel	N-Channel	P-Channel
500	-500	16	25

## Pin Configurations



8-Lead DFN  
(top view)



8-Lead SOIC  
(top view)

## Package Marking



Y = Last Digit of Year Sealed  
W = Code for Week Sealed  
L = Lot Number  
— = "Green" Packaging

Package may or may not include the following marks: Si or

8-Lead DFN



YY = Year Sealed  
WW = Week Sealed  
L = Lot Number  
— = "Green" Packaging

Package may or may not include the following marks: Si or

8-Lead SOIC

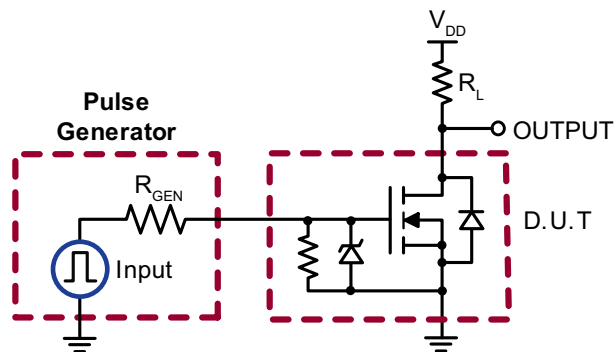
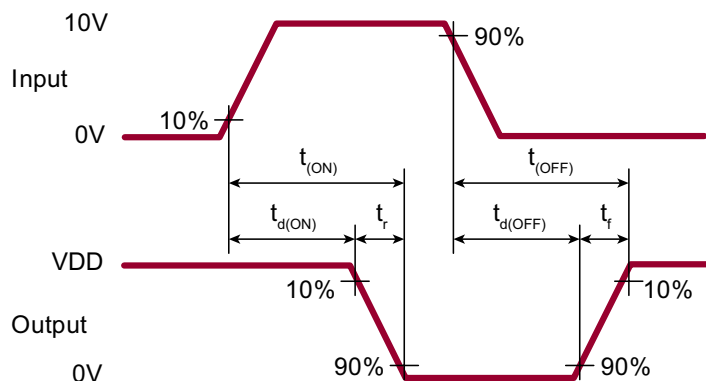
**N-Channel Electrical Characteristics** ( $T_A = 25^\circ\text{C}$  unless otherwise specified)

Sym	Parameter	Min	Typ	Max	Units	Conditions
$BV_{DSS}$	DRAIN-to-SOURCE breakdown voltage	200	-	-	V	$V_{GS} = 0V, I_D = 2.0mA$
$V_{GS(th)}$	GATE threshold voltage	1.0	-	2.0	V	$V_{GS} = V_{DS}, I_D = 1.0mA$
$\Delta V_{GS(th)}$	Change in $V_{GS(th)}$ with temperature	-	-	-4.5	mV/°C	$V_{GS} = V_{DS}, I_D = 1.0mA$
$R_{GS}$	GATE-to-SOURCE shunt resistor	10	-	50	kΩ	$I_{GS} = 100\mu A$
$VZ_{GS}$	GATE-to-SOURCE Zener voltage	13.2	-	25	V	$I_{GS} = 2.0mA$
$I_{DSS}$	Zero GATE voltage DRAIN current	-	-	10.0	μA	$V_{DS} = \text{Max rating}, V_{GS} = 0V$
		-	-	1.0	mA	$V_{DS} = 0.8 \text{ Max Rating}, V_{GS} = 0V, T_A = 125^\circ\text{C}$
$I_{D(ON)}$	On-state DRAIN current	1.0	-	-	A	$V_{GS} = 4.5V, V_{DS} = 25V$
		2.0	-	-		$V_{GS} = 10V, V_{DS} = 25V$
$R_{DS(ON)}$	Static DRAIN-to-SOURCE on-state resistance	-	-	8.0	Ω	$V_{GS} = 4.5V, I_D = 150mA$
		-	-	7.0		$V_{GS} = 10V, I_D = 1.0A$
$\Delta R_{DS(ON)}$	Change in $R_{DS(ON)}$ with temperature	-	-	1.0	%/°C	$V_{GS} = 4.5V, I_D = 150mA$
$G_{FS}$	Forward transconductance	400	-	-	mmho	$V_{DS} = 25V, I_D = 500mA$
$C_{ISS}$	Input capacitance	-	-	110	pF	$V_{GS} = 0V, V_{DS} = 25V, f = 1.0MHz$
$C_{OSS}$	Common SOURCE output capacitance	-	-	60		
$C_{RSS}$	Reverse transfer capacitance	-	-	23		
$t_{d(ON)}$	Turn-on delay time	-	-	10	ns	$V_{DD} = 25V, I_D = 1.0A, R_{GEN} = 25\Omega$
$t_r$	Rise time	-	-	15		
$t_{d(OFF)}$	Turn-off delay time	-	-	20		
$t_f$	Fall time	-	-	15		
$V_{SD}$	Diode forward voltage drop	-	-	1.8	V	$V_{GS} = 0V, I_{SD} = 500mA$
$t_{rr}$	Reverse recovery time	-	300	-	ns	$V_{GS} = 0V, I_{SD} = 500mA$

**Notes:**

1. All D.C. parameters 100% tested at 25°C unless otherwise stated. (Pulse test: 300μs pulse, 2% duty cycle.)
2. All A.C. parameters sample tested.

**N-Channel Switching Waveforms and Test Circuit**



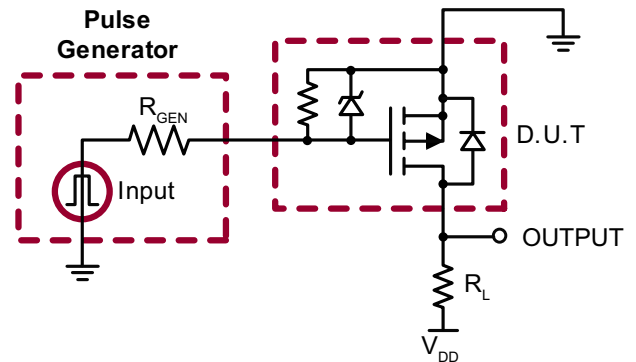
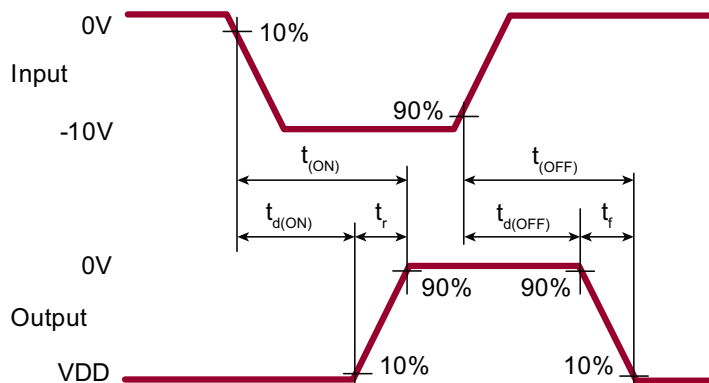
**P-Channel Electrical Characteristics** ( $T_A = 25^\circ\text{C}$  unless otherwise specified)

Sym	Parameter	Min	Typ	Max	Units	Conditions
$BV_{DSS}$	DRAIN-to-SOURCE breakdown voltage	-200	-	-	V	$V_{GS} = 0V, I_D = -2.0mA$
$V_{GS(th)}$	GATE threshold voltage	-1.0	-	-2.4	V	$V_{GS} = V_{DS}, I_D = -1.0mA$
$\Delta V_{GS(th)}$	Change in $V_{GS(th)}$ with temperature	-	-	4.5	mV/°C	$V_{GS} = V_{DS}, I_D = -1.0mA$
$R_{GS}$	GATE-to-SOURCE shunt resistor	10	-	50	kΩ	$I_{GS} = 100\mu A$
$VZ_{GS}$	GATE-to-SOURCE Zener voltage	13.2	-	25	V	$I_{GS} = -2mA$
$I_{DSS}$	Zero GATE voltage DRAIN current	-	-	-10	μA	$V_{DS} = \text{Max rating}, V_{GS} = 0V$
		-	-	-1.0	mA	$V_{DS} = 0.8 \text{ Max Rating}, V_{GS} = 0V, T_A = 125^\circ\text{C}$
$I_{D(ON)}$	On-state DRAIN current	-1.0	-	-	A	$V_{GS} = -4.5V, V_{DS} = -25V$
		-2.0	-	-		$V_{GS} = -10V, V_{DS} = -25V$
$R_{DS(ON)}$	Static DRAIN-to-SOURCE on-state resistance	-	-	10	Ω	$V_{GS} = -4.5V, I_D = -150mA$
		-	-	8.0		$V_{GS} = -10V, I_D = -1.0A$
$\Delta R_{DS(ON)}$	Change in $R_{DS(ON)}$ with temperature	-	-	1.0	%/°C	$V_{GS} = -10V, I_D = -200mA$
$G_{FS}$	Forward transconductance	400	-	-	mmho	$V_{DS} = -25V, I_D = -500mA$
$C_{ISS}$	Input capacitance	-	-	200	pF	$V_{GS} = 0V, V_{DS} = -25V, f = 1.0MHz$
$C_{OSS}$	Common SOURCE output capacitance	-	-	55		
$C_{RSS}$	Reverse transfer capacitance	-	-	30		
$t_{d(ON)}$	Turn-on delay time	-	-	10	ns	$V_{DD} = -25V, I_D = -1.0A, R_{GEN} = 25\Omega$
$t_r$	Rise time	-	-	15		
$t_{d(OFF)}$	Turn-off delay time	-	-	20		
$t_f$	Fall time	-	-	15		
$V_{SD}$	Diode forward voltage drop	-	-	-1.8	V	$V_{GS} = 0V, I_{SD} = -500mA$
$t_{rr}$	Reverse recovery time	-	300	-	ns	$V_{GS} = 0V, I_{SD} = -500mA$

**Notes:**

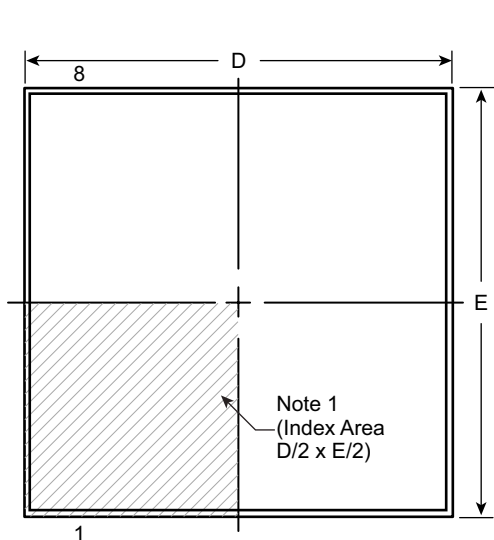
1. All D.C. parameters 100% tested at 25°C unless otherwise stated. (Pulse test: 300μs pulse, 2% duty cycle.)
2. All A.C. parameters sample tested.

**P-Channel Switching Waveforms and Test Circuit**

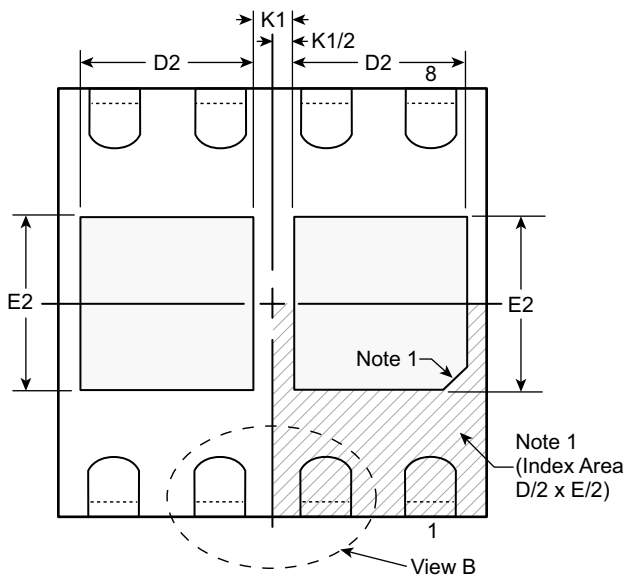


# 8-Lead DFN Package Outline (K6)

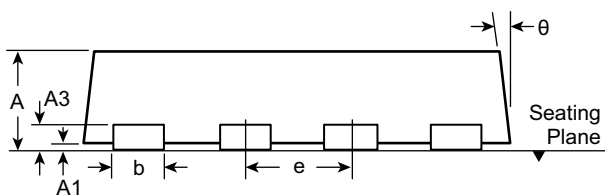
4.00x4.00mm body, 1.00mm height (max), 1.00mm pitch (dual pad)



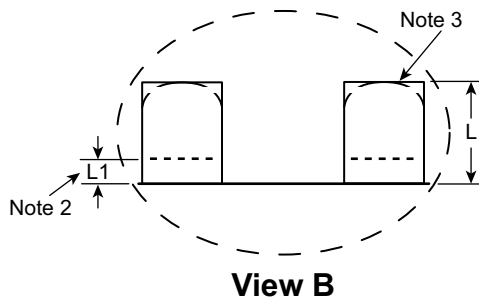
**Top View**



**Bottom View**



**Side View**



**View B**

**Notes:**

1. A Pin 1 identifier must be located in the index area indicated. The Pin 1 identifier can be: a molded mark/identifier; an embedded metal marker; or a printed indicator.
2. Depending on the method of manufacturing, a maximum of 0.15mm pullback (L1) may be present.
3. The inner tip of the lead may be either rounded or square.

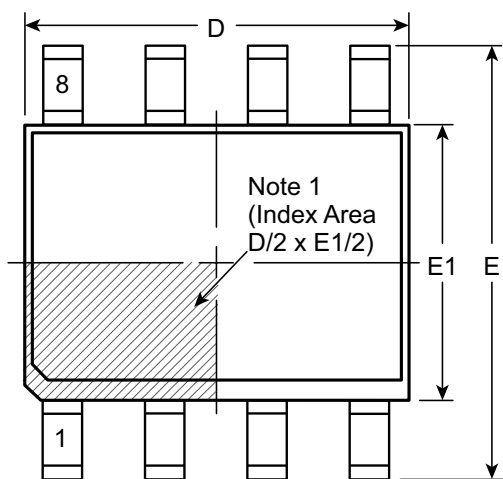
Symbol	A	A1	A3	b	D	D2	E	E2	e	K1	L	L1	θ	
Dimension (mm)	MIN	0.80	0.00	0.20 REF	0.25	3.90	1.35	3.90	1.35	1.00 BSC	0.50 REF	0.40	0.00	0°
	NOM	0.90	-		0.30	4.00	1.45	4.00	1.45			0.50	-	-
	MAX	1.00	0.05		0.35	4.10	1.55	4.10	1.55			0.60	0.15	14°

Drawings not to scale

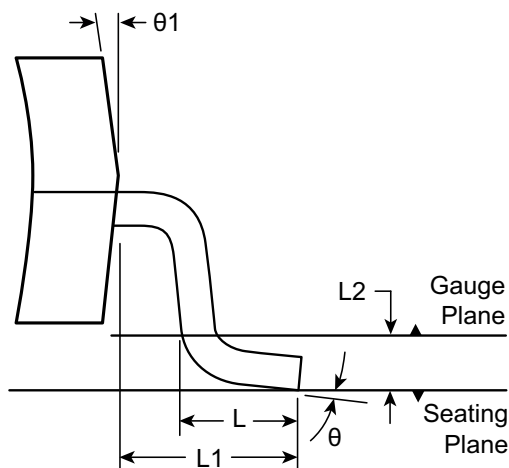
Supertex Doc. #: DSPD-8DFNK64x4P100, Version C010813

# 8-Lead SOIC (Narrow Body) Package Outline (TG)

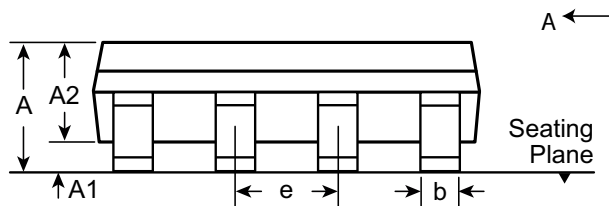
4.90x3.90mm body, 1.75mm height (max), 1.27mm pitch



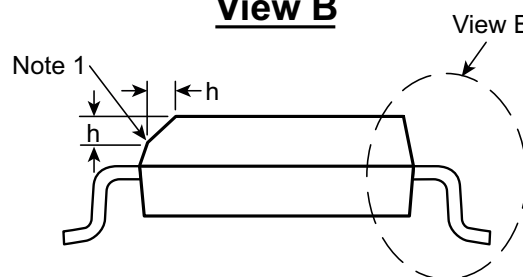
**Top View**



**View B**



**Side View**



**View A-A**

**Note:**  
 1. This chamfer feature is optional. A Pin 1 identifier must be located in the index area indicated. The Pin 1 identifier can be: a molded mark/identifier; an embedded metal marker; or a printed indicator.

Symbol	A	A1	A2	b	D	E	E1	e	h	L	L1	L2	$\theta$	$\theta_1$	
Dimension (mm)	MIN	1.35*	0.10	1.25	0.31	4.80*	5.80*	3.80*	1.27 BSC	0.25	0.40	1.04 REF	0.25 BSC	0°	5°
	NOM	-	-	-	-	4.90	6.00	3.90		-	-			-	-
	MAX	1.75	0.25	1.65*	0.51	5.00*	6.20*	4.00*		0.50	1.27			8°	15°

JEDEC Registration MS-012, Variation AA, Issue E, Sept. 2005.

\* This dimension is not specified in the JEDEC drawing.

Drawings are not to scale.

Supertex Doc. #: DSPD-8SOLGTG, Version I041309.

(The package drawing(s) in this data sheet may not reflect the most current specifications. For the latest package outline information go to <http://www.supertex.com/packaging.html>.)

**Supertex inc.** does not recommend the use of its products in life support applications, and will not knowingly sell them for use in such applications unless it receives an adequate "product liability indemnification insurance agreement." **Supertex inc.** does not assume responsibility for use of devices described, and limits its liability to the replacement of the devices determined defective due to workmanship. No responsibility is assumed for possible omissions and inaccuracies. Circuitry and specifications are subject to change without notice. For the latest product specifications refer to the **Supertex inc.** (website: <http://www.supertex.com>)

# Mouser Electronics

Authorized Distributor

Click to View Pricing, Inventory, Delivery & Lifecycle Information:

[Microchip:](#)

[TC6320TG-G](#) [TC6320TG](#) [TC6320K6-G](#)