

NLAS3899B

Dual DPDT Low R_{ON} , Low Capacitance Switch

The NLAS3899B is a dual DPDT analog switch designed for low power audio and dual SIM card applications. The low R_{ON} of 3.0Ω (typical) is ideal for routing audio signals to or from a moderately high impedance load. In addition, the low C_{ON} of 20 pF (typical) gives the NLAS3899B a high bandwidth of 280 MHz, perfect for dual SIM card applications.

Features

- Single Supply Operation
1.65 to 4.3 V V_{CC}
Function Directly from Li-Ion Battery
- Low ON Resistance (3.0Ω Typical Across V_{CC})
- Low C_{ON} (20 pF Typical)
- Bandwidth 280 MHz
- Maximum Breakdown Voltage: 5.5 V
- Low Static Power
- Interfaces with 1.8 V Chipset
- These are Pb-Free Devices

Typical Applications

- Cell Phone Speaker/Microphone Switching
- Ringtone-Chip/Amplifier Switching
- Dual SIM Card Data Switching
- Four Unbalanced (Single-Ended) Switches

Important Information

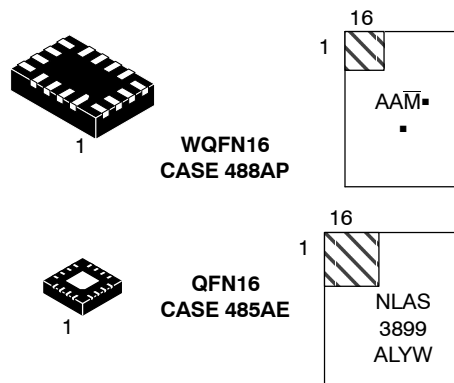
- ESD Protection:
Human Body Model (HBM) 1000 V – All Pins
5000 V – I/O to GND
- Continuous Current Rating Through each Switch ± 300 mA
- Conforms to: JEDEC MO-220, Issue H, Variation VEED-6
- Package:
 - ♦ 1.8 x 2.6 x 0.75 mm WQFN16 Pb-Free
 - ♦ 3.0 x 3.0 x 0.9 mm QFN16 Pb-Free



ON Semiconductor®

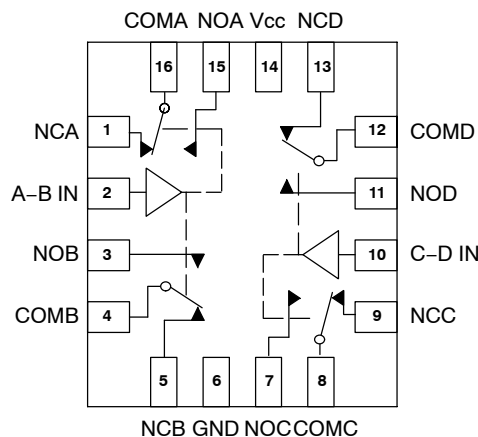
<http://onsemi.com>

MARKING DIAGRAMS



XX = Specific Device Code
 A = Assembly Location
 M = Date Code/Assembly Location
 L = Wafer Lot
 Y = Year
 W = Work Week
 ■ = Pb-Free Package

(Note: Microdot may be in either location)



ORDERING INFORMATION

See detailed ordering and shipping information in the package dimensions section on page 8 of this data sheet.

NLAS3899B

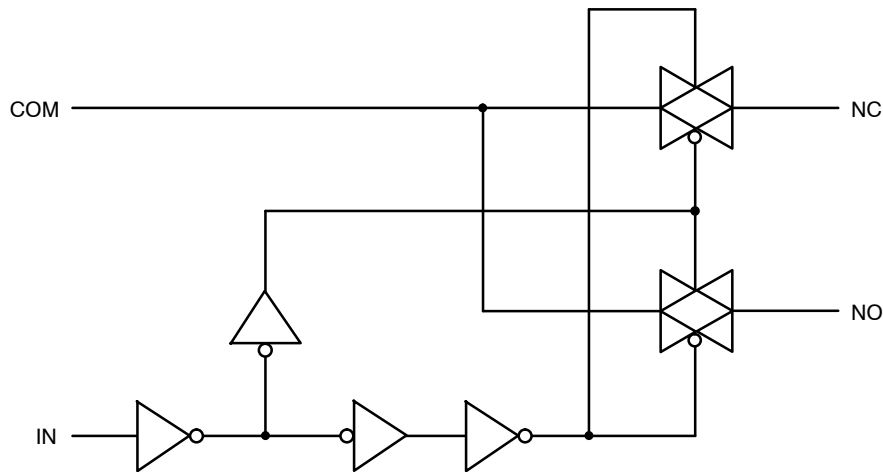


Figure 1. Input Equivalent Circuit

PIN DESCRIPTION

| QFN PIN # | Symbol | Name and Function |
|---------------------------|-----------------|-------------------------|
| 1, 3, 5, 7, 9, 11, 13, 15 | NO A-D, NC A-D | Independent Channels |
| 2, 10 | A-B IN, C-D IN | Controls |
| 4, 8, 12, 16 | COM A-D | Common Channels |
| 6 | GND | Ground (V) |
| 14 | V _{CC} | Positive Supply Voltage |

TRUTH TABLE

| IN | NO | NC |
|----|------|------|
| H | ON | OFF* |
| L | OFF* | ON |

*High impedance.

OPERATING CONDITIONS

MAXIMUM RATINGS

| Symbol | Pins | Parameter | Value | Condition | Unit |
|---------------------|---|----------------------------------|-------------------------------|----------------|------|
| V _{CC} | V _{CC} | Positive DC Supply Voltage | -0.5 to +5.5 | | V |
| V _{IS} | NO _x , NC _x , or COM _x | Analog Signal Voltage | -0.5 to V _{CC} + 0.5 | | V |
| V _{IN} | A-B IN, C-D IN | Control Input Voltage | -0.5 to 5.5 | | V |
| I _{IS_CON} | NO _x , NC _x , or COM _x | Analog Signal Continuous Current | ±300 | Closed Switch | mA |
| I _{IS_PK} | NO _x , NC _x , or COM _x | Analog Signal Peak Current | ±500 | 10% Duty Cycle | mA |
| I _{IN} | A-B IN, C-D IN | Control Input Current | ±20 | | mA |
| T _{STG} | | Storage Temperature Range | -65 to 150 | | °C |

Stresses exceeding Maximum Ratings may damage the device. Maximum Ratings are stress ratings only. Functional operation above the Recommended Operating Conditions is not implied. Extended exposure to stresses above the Recommended Operating Conditions may affect device reliability.

NLAS3899B

RECOMMENDED OPERATING CONDITIONS

| Symbol | Pins | Parameter | Value | Condition | Unit |
|------------|-------------------|-----------------------------|-----------------|--|------|
| V_{CC} | V_{CC} | Positive DC Supply Voltage | 1.65 to 4.3 | | V |
| V_{IS} | NOx, NCx, or COMx | Analog Signal Voltage | GND to V_{CC} | | V |
| V_{IN} | A-B IN, C-D IN | Control Input Voltage | GND to 4.3 | | V |
| T_A | | Operating Temperature Range | -40 to +85 | | °C |
| t_r, t_f | | Input Rise or Fall Time | 20 | $V_{CC} = 1.6\text{ V} - 2.7\text{ V}$ | ns/V |
| | | | 10 | $V_{CC} = 3.0\text{ V} - 4.5\text{ V}$ | |

Minimum and maximum values are guaranteed through test or design across the **Recommended Operating Conditions**, where applicable. Typical values are listed for guidance only and are based on the particular conditions listed for each section, where applicable. These conditions are valid for all values found in the characteristics tables unless otherwise specified in the test conditions.

ESD PROTECTION

| Pins | Description | Minimum Voltage |
|------------|------------------|-----------------|
| All Pins | Human Body Model | 1 kV |
| I/O to GND | Human Body Model | 5 kV |

NLAS3899B

DC Electrical Characteristics

Typical: T = 25°C; V_{CC} = 3.0 V

CONTROL INPUT (Typical: T = 25°C; V_{CC} = 3.0 V)

| Symbol | Pins | Parameter | Test Conditions | V _{CC} (V) | -40°C to +85°C | | | Unit |
|-----------------|-------------------|-----------------------|---------------------------------------|------------------------|----------------|------|------------|------|
| | | | | | Min | Typ | Max | |
| V _{IH} | A-B IN, C-D IN | Control Input High | | 3.0 4.3 | 1.3 1.6 | | | V |
| V _{IL} | A-B IN, C-D IN | Control Input Low | | 3.0 4.3 | | | 0.5 0.6 | V |
| I _{IN} | A-B IN, C-D IN | Control Input Leakage | 0 ≤ V _{IN} ≤ V _{CC} | 4.3 | | ±0.1 | ±1.0 | μA |

SUPPLY CURRENT AND LEAKAGE (Typical: T = 25°C; V_{CC} = 3.0 V)

| Symbol | Pins | Parameter | Test Conditions | V _{CC} (V) | -40°C to +85°C | | | Unit |
|-----------------------------|-------------------|-------------------|--|------------------------|----------------|------|------|------|
| | | | | | Min | Typ | Max | |
| I _{NO/NC} (OFF) | NCx, NOx | OFF State Leakage | V _{IN} = V _{IL} or V _{IH} V _{NC/NO} = 0.3 V V _{COM} = 4.0 V | 4.3 | | ±10 | ±300 | nA |
| I _{COM} (ON) | COMx | ON State Leakage | V _{IN} = V _{IL} or V _{IH} V _{NO} = 0.3 V or 4.0 V with V _{NC} floating or V _{NC} = 0.3 V or 4.0 V with V _{NO} floating V _{COM} = 0.3 V or 4.0 V | 4.3 | | ±10 | ±300 | nA |
| I _{CC} | V _{CC} | Quiescent Supply | V _{IN} and V _{IS} = V _{CC} or GND I _D = 0 A | 1.65 – 4.3 | | ±1.0 | ±2.0 | μA |
| I _{OFF} | A-B IN, C-D IN | Power Off Leakage | V _{IN} = 4.3 V or GND | 0 | | ±0.5 | ±2.0 | μA |

ON RESISTANCE (Typical: T = 25°C; V_{CC} = 3.0 V)

| Symbol | Pins | Parameter | Test Conditions | V _{CC} (V) | -40°C to +85°C | | | Unit |
|-------------------|------------------|--------------------------|---|--------------------------|----------------|--------------------------|--------------------------|------|
| | | | | | Min | Typ | Max | |
| R _{ON} | NOx, NCx COMx | ON Resistance | I _{ON} = -100 mA V _{IS} = 0 to V _{CC} | 2.5 3.0 3.6 4.3 | | 3.0 2.6 2.5 2.2 | 4.0 3.0 3.0 2.5 | Ω |
| R _{FLAT} | NOx, NCx COMx | R _{ON} Flatness | I _{ON} = -100 mA V _{IS} = 0 to V _{CC} | 3.0 4.3 | | 0.8 1.1 | | Ω |
| ΔR _{ON} | NOx, NCx COMx | R _{ON} Matching | I _{ON} = -100 mA V _{IS} = 0 to V _{CC} | 3.0 4.3 | | 0.8 0.7 | | Ω |

NLAS3899B

AC ELECTRICAL CHARACTERISTICS

TIMING/FREQUENCY (Typical: T = 25°C; V_{CC} = 3.0 V, R_L = 50 Ω, C_L = 35 pF, f = 1 MHz)

| Symbol | Pins | Parameter | Test Conditions | V _{CC} (V) | -40°C to +85°C | | | Unit |
|------------------|------------------|-------------------|-----------------------|---------------------|----------------|-----|-----|------|
| | | | | | Min | Typ | Max | |
| t _{ON} | IN to NCx or NOx | Turn On Time | | 2.3 – 4.3 | | 30 | 40 | ns |
| t _{OFF} | IN to NCx or NOx | Turn Off Time | | 2.3 – 4.53 | | 20 | 30 | ns |
| t _{BBM} | IN to NCx or NOx | Break Before Make | | 3.0 | 2 | 15 | | ns |
| BW | | -3dB Bandwidth | C _L = 5 pF | 1.65 – 4.3 | | 280 | | MHz |

ISOLATION AND THD (Typical: T = 25°C; V_{CC} = 3.0 V, R_L = 50 Ω, C_L = 5 pF, f = 1 MHz)

| Symbol | Pins | Parameter | Test Conditions | V _{CC} (V) | -40°C to +85°C | | | Unit |
|------------------|--------------|------------------------------|---|---------------------|----------------|-------|-----|------|
| | | | | | Min | Typ | Max | |
| Q | | Charge Injection | V _{IN} = V _{CC} to GND R _{IS} = 0 Ω, C _L = 1.0 nF Q = C _L - ΔV _{OUT} | 1.65 – 4.3 | | 111 | | pC |
| THD | | Total Harmonic Distortion | F _{IS} = 20 Hz to 20 kHz R _L = R _{gen} = 600 Ω, C _L = 1.0 pF V _{IS} = 1.0 V _{PP} | 3.0 | | 0.007 | | % |
| V _{ONL} | | Maximum Feed-through On Loss | V _{IN} = 0 dBm @ 100 kHz to 50 MHz V _{IN} centered between V _{CC} & GND | 1.65 – 4.3 | | -0.06 | | dB |
| O _{IRR} | NOx | Off Isolation | V _{IN} = 0 V _{NO} or V _{NC} (pk-pk) = 1.0 V | 1.65 – 4.3 | | -67 | | dB |
| Xtalk | COMx to COMy | Non-Adjacent Channel | V _{NO} or V _{NC} (pk-pk) = 1.0 V | 1.65 – 4.3 | | -100 | | dB |

CAPACITANCE (Typical: T = 25°C; V_{CC} = 3.0 V, R_L = 50 Ω, C_L = 5 pF, f = 1 MHz)

| Symbol | Pins | Parameter | Test Conditions | V _{CC} (V) | -40°C to +85°C | | | Unit |
|------------------|----------------|-----------------|--|---------------------|----------------|-----|-----|------|
| | | | | | Min | Typ | Max | |
| C _{IN} | A-B IN, C-D IN | Control Input | | 0 V | | 5.0 | | pF |
| C _{ON} | NCx to COMx | Through Switch | V _{IN} = 0V | 3.0 V | | 20 | | pF |
| C _{OFF} | NCx NOx | Unselected Port | V _{IS} = 3.0V, V _{IN} = 3.0V | 3.0 V | | 10 | | pF |

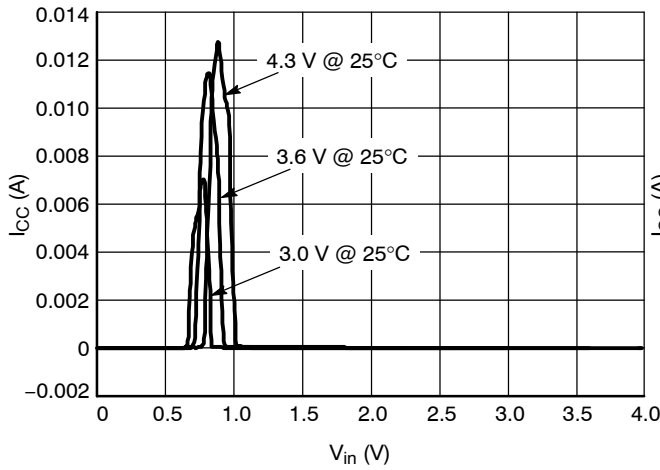


Figure 2. I_{CC} vs. V_{in}

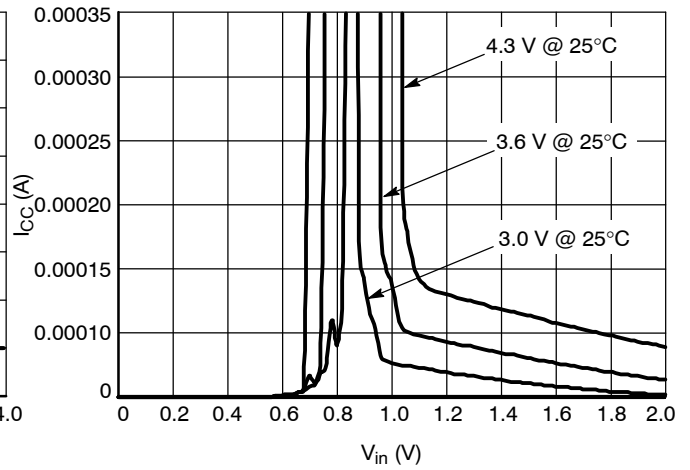


Figure 3. (Expanded View) I_{CC} vs. V_{in}

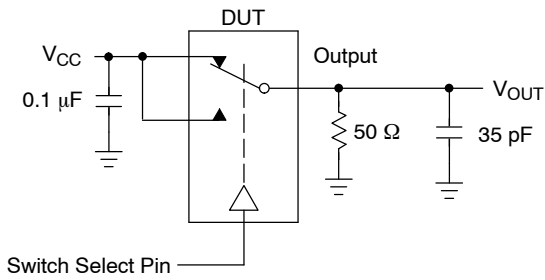


Figure 4. t_{BMM} (Time Break-Before-Make)

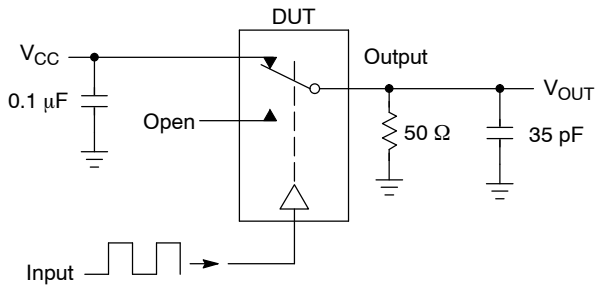
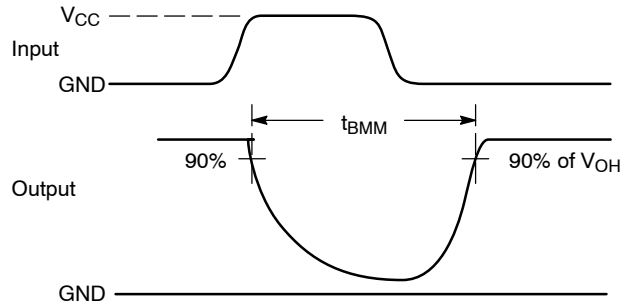


Figure 5. t_{ON}/t_{OFF}

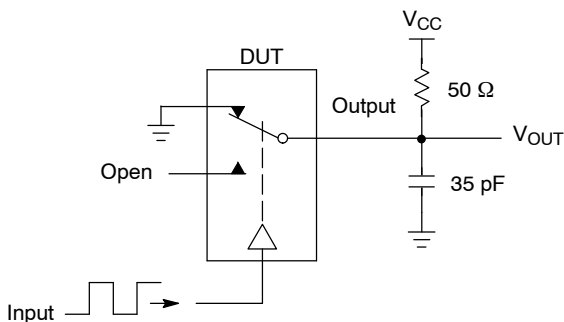
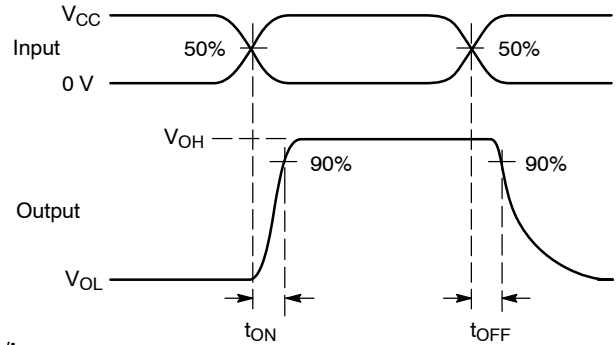
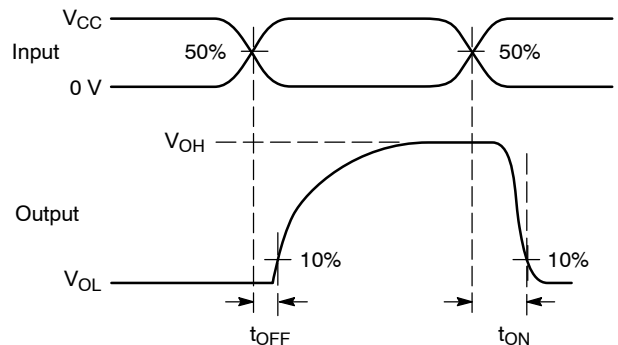
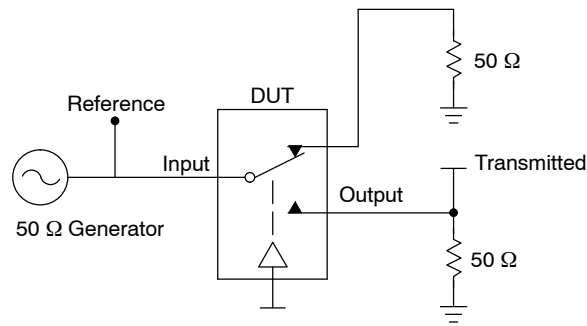


Figure 6. t_{ON}/t_{OFF}



NLAS3899B



Channel switch control/s test socket is normalized. Off isolation is measured across an off channel. On loss is the bandwidth of an On switch. V_{ISO} , Bandwidth and V_{ONL} are independent of the input signal direction.

$$V_{ISO} = \text{Off Channel Isolation} = 20 \text{ Log} \left(\frac{V_{OUT}}{V_{IN}} \right) \text{ for } V_{IN} \text{ at } 100 \text{ kHz}$$

$$V_{ONL} = \text{On Channel Loss} = 20 \text{ Log} \left(\frac{V_{OUT}}{V_{IN}} \right) \text{ for } V_{IN} \text{ at } 100 \text{ kHz to } 50 \text{ MHz}$$

Bandwidth (BW) = the frequency 3 dB below V_{ONL}

V_{CT} = Use V_{ISO} setup and test to all other switch analog input/outputs terminated with 50 Ω

Figure 7. Off Channel Isolation/On Channel Loss (BW)/Crosstalk (On Channel to Off Channel)/ V_{ONL}

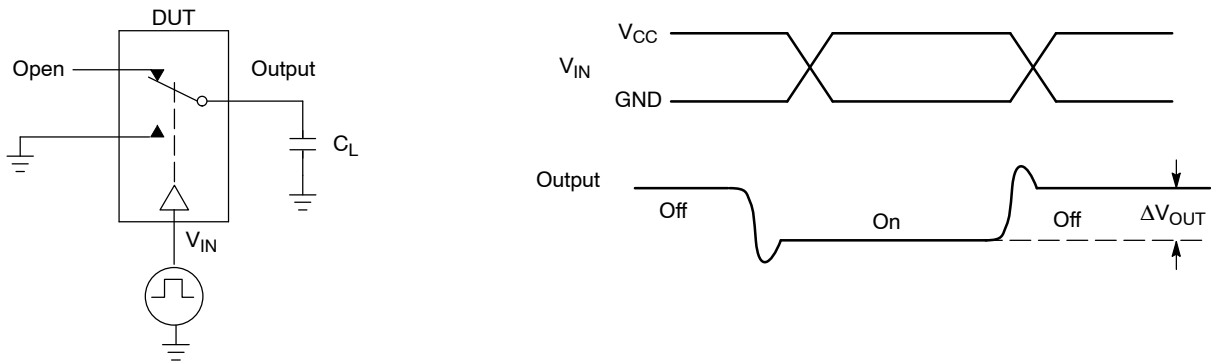


Figure 8. Charge Injection: (Q)

NLAS3899B

DEVICE ORDERING INFORMATION

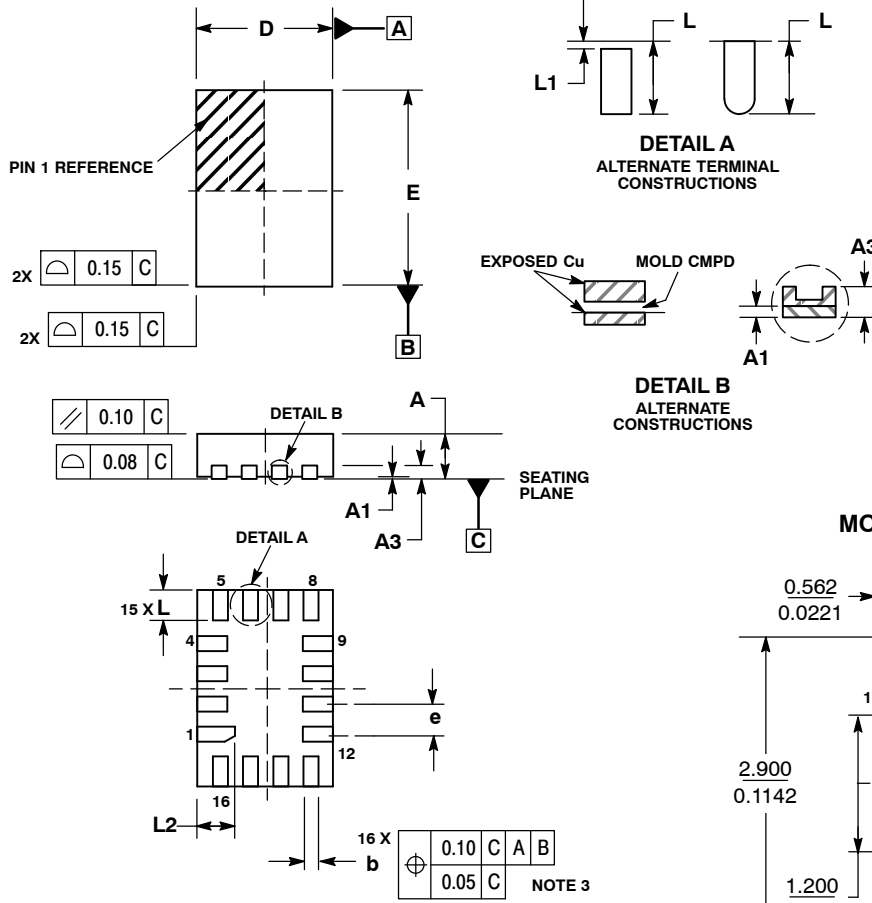
| Device Order Number | Package Type | Tape & Reel Size† |
|---------------------|---------------------|--------------------|
| NLAS3899BMNTBG | WQFN16 (Pb-Free) | 3000 / Tape & Reel |
| NLAS3899BMNTWG | QFN16 (Pb-Free) | 3000 / Tape & Reel |
| NLAS3899BMNTXG | QFN16 (Pb-Free) | 3000 / Tape & Reel |

†For information on tape and reel specifications, including part orientation and tape sizes, please refer to our Tape and Reel Packaging Specifications Brochure, BRD8011/D.

NLAS3899B

PACKAGE DIMENSIONS

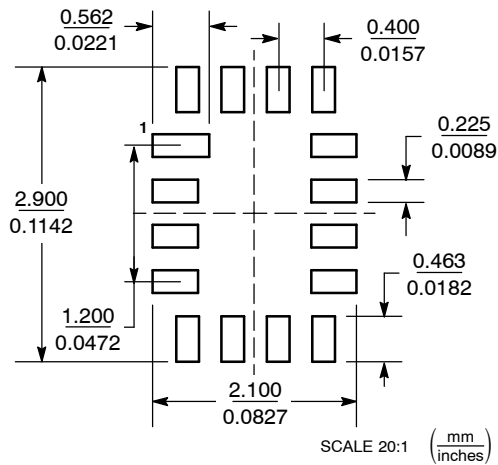
WQFN16, 1.8x2.6, 0.4P
CASE 488AP
ISSUE B



- NOTES:
1. DIMENSIONING AND TOLERANCING PER ASME Y14.5M, 1994.
 2. CONTROLLING DIMENSION: MILLIMETERS
 3. DIMENSION b APPLIES TO PLATED TERMINAL AND IS MEASURED BETWEEN 0.25 AND 0.30 MM FROM TERMINAL
 4. COPLANARITY APPLIES TO THE EXPOSED PAD AS WELL AS THE TERMINALS.
 5. EXPOSED PADS CONNECTED TO DIE FLAG. USED AS TEST CONTACTS.

| DIM | MILLIMETERS | |
|-----|-------------|-------|
| | MIN | MAX |
| A | 0.70 | 0.80 |
| A1 | 0.00 | 0.050 |
| A3 | 0.20 | REF |
| b | 0.15 | 0.25 |
| D | 1.80 | BSC |
| E | 2.60 | BSC |
| e | 0.40 | BSC |
| L | 0.30 | 0.50 |
| L1 | 0.00 | 0.15 |
| L2 | 0.40 | 0.60 |

MOUNTING FOOTPRINT

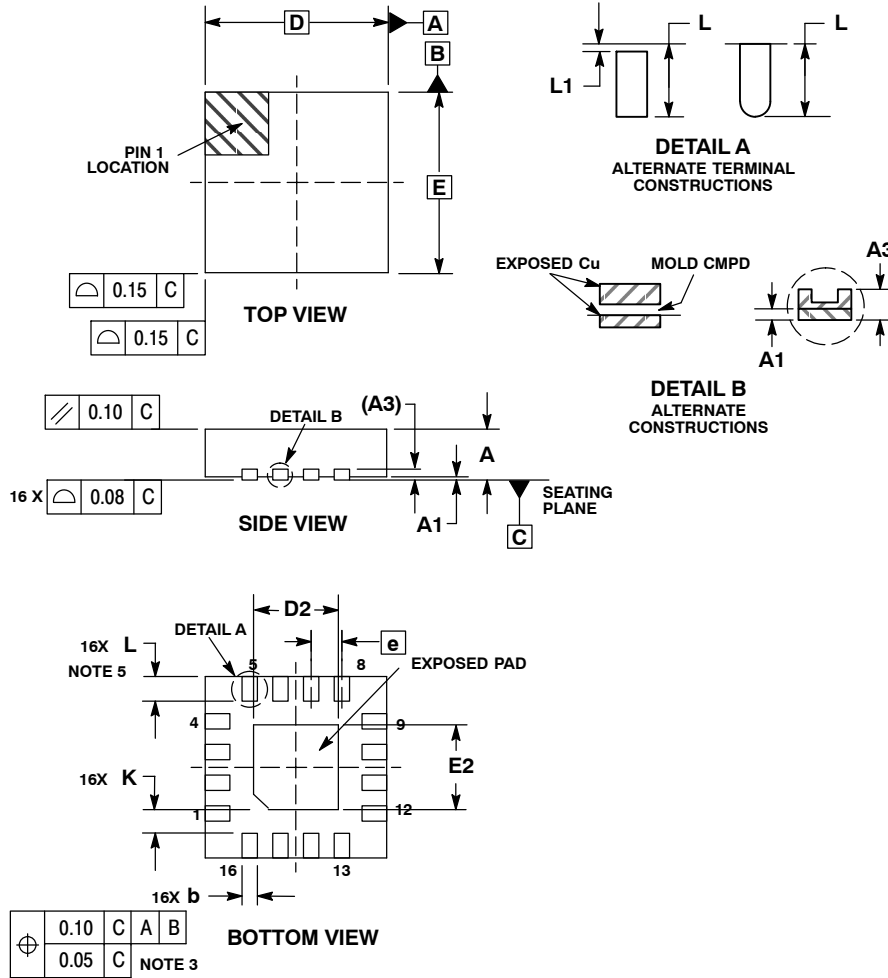


*For additional information on our Pb-Free strategy and soldering details, please download the ON Semiconductor Soldering and Mounting Techniques Reference Manual, SOLDERRM/D.

NLAS3899B

PACKAGE DIMENSIONS

QFN16 3x3, 0.5 P
CASE 485AE
ISSUE A



NOTES:

1. DIMENSIONING AND TOLERANCING PER ASME Y14.5M, 1994.
2. CONTROLLING DIMENSION: MILLIMETERS.
3. DIMENSION b APPLIES TO PLATED TERMINAL AND IS MEASURED BETWEEN 0.25 AND 0.30 MM FROM TERMINAL.
4. COPLANARITY APPLIES TO THE EXPOSED PAD AS WELL AS THE TERMINALS.
5. OUTLINE MEETS JEDEC DIMENSIONS PER MO-220, VARIATION VEED-6.

| DIM | MILLIMETERS | | |
|-----|-------------|------|------|
| | MIN | NOM | MAX |
| A | 0.80 | 0.90 | 1.00 |
| A1 | 0.00 | 0.03 | 0.05 |
| A3 | 0.20 REF | | |
| b | 0.18 | 0.25 | 0.30 |
| D | 3.00 BSC | | |
| D2 | 1.25 | 1.40 | 1.55 |
| E | 3.00 BSC | | |
| E2 | 1.25 | 1.40 | 1.55 |
| e | 0.50 BSC | | |
| K | 0.20 | --- | --- |
| L | 0.30 | 0.40 | 0.50 |
| L1 | 0.00 | --- | 0.15 |

ON Semiconductor and **ON** are registered trademarks of Semiconductor Components Industries, LLC (SCILLC). SCILLC owns the rights to a number of patents, trademarks, copyrights, trade secrets, and other intellectual property. A listing of SCILLC's product/patent coverage may be accessed at www.onsemi.com/site/pdf/Patent-Marketing.pdf. SCILLC reserves the right to make changes without further notice to any products herein. SCILLC makes no warranty, representation or guarantee regarding the suitability of its products for any particular purpose, nor does SCILLC assume any liability arising out of the application or use of any product or circuit, and specifically disclaims any and all liability, including without limitation special, consequential or incidental damages. "Typical" parameters which may be provided in SCILLC data sheets and/or specifications can and do vary in different applications and actual performance may vary over time. All operating parameters, including "Typicals" must be validated for each customer application by customer's technical experts. SCILLC does not convey any license under its patent rights nor the rights of others. SCILLC products are not designed, intended, or authorized for use as components in systems intended for surgical implant into the body, or other applications intended to support or sustain life, or for any other application in which the failure of the SCILLC product could create a situation where personal injury or death may occur. Should Buyer purchase or use SCILLC products for any such unintended or unauthorized application, Buyer shall indemnify and hold SCILLC and its officers, employees, subsidiaries, affiliates, and distributors harmless against all claims, costs, damages, and expenses, and reasonable attorney fees arising out of, directly or indirectly, any claim of personal injury or death associated with such unintended or unauthorized use, even if such claim alleges that SCILLC was negligent regarding the design or manufacture of the part. SCILLC is an Equal Opportunity/Affirmative Action Employer. This literature is subject to all applicable copyright laws and is not for resale in any manner.

PUBLICATION ORDERING INFORMATION

LITERATURE FULFILLMENT:
Literature Distribution Center for ON Semiconductor
P.O. Box 5163, Denver, Colorado 80217 USA
Phone: 303-675-2175 or 800-344-3860 Toll Free USA/Canada
Fax: 303-675-2176 or 800-344-3867 Toll Free USA/Canada
Email: orderlit@onsemi.com

N. American Technical Support: 800-282-9855 Toll Free
USA/Canada
Europe, Middle East and Africa Technical Support:
Phone: 421 33 790 2910
Japan Customer Focus Center
Phone: 81-3-5817-1050

ON Semiconductor Website: www.onsemi.com
Order Literature: <http://www.onsemi.com/orderlit>

For additional information, please contact your local Sales Representative

Mouser Electronics

Authorized Distributor

Click to View Pricing, Inventory, Delivery & Lifecycle Information:

[ON Semiconductor:](#)

[NLAS3899BMNTBG](#) [NLAS3899BMNTXG](#)