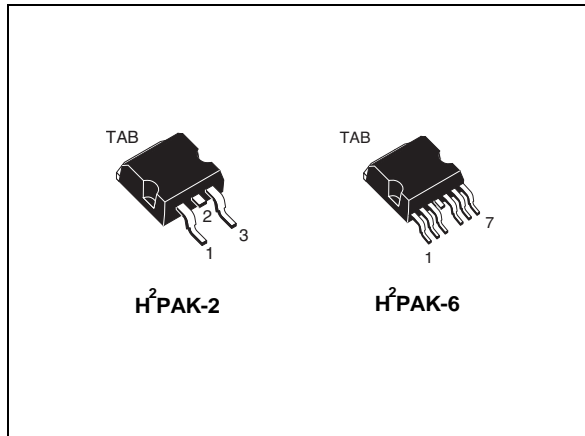


Automotive-grade N-channel 100 V, 2.1 mΩ typ., 180 A STripFET™ F7 Power MOSFETs

Datasheet - production data



Features

Order codes	V _{DS}	R _{DS(on)} max.	I _D
STH315N10F7-2	100 V	2.3 mΩ	180 A
STH315N10F7-6			

- Designed for automotive applications and AEC-Q101 qualified
- Among the lowest R_{DS(on)} on the market
- Excellent figure of merit (FoM)
- Low C_{rss}/C_{iss} ratio for EMI immunity
- High avalanche ruggedness

Applications

- Switching applications

Description

These N-channel Power MOSFETs utilize STripFET™ F7 technology with an enhanced trench gate structure that results in very low on-state resistance, while also reducing internal capacitance and gate charge for faster and more efficient switching.

Figure 1. Internal schematic diagram

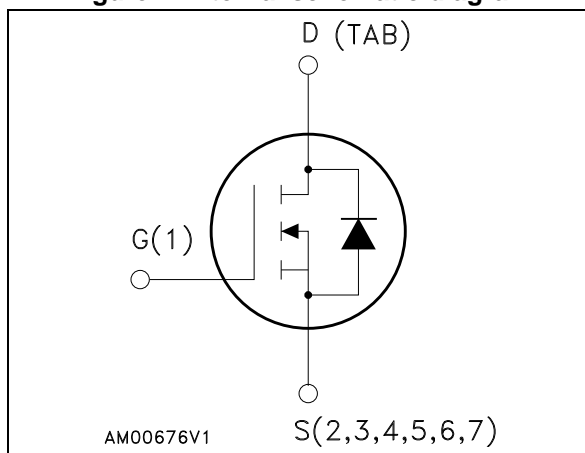


Table 1. Device summary

Order codes	Marking	Package	Packaging
STH315N10F7-2	315N10F7	H ² PAK-2	Tape and reel
STH315N10F7-6		H ² PAK-6	

Contents

- 1 Electrical ratings 3**
- 2 Electrical characteristics 4**
 - 2.1 Electrical characteristics (curves) 6
- 3 Test circuits 8**
- 4 Package mechanical data 9**
 - 4.1 H²PAK-2, STH315N10F7-2 10
 - 4.2 H²PAK-6, STH315N10F7-6 13
- 5 Packaging mechanical data 16**
- 6 Revision history 18**

1 Electrical ratings

Table 2. Absolute maximum ratings

Symbol	Parameter	Value	Unit
V_{DS}	Drain-source voltage	100	V
V_{GS}	Gate-source voltage	± 20	V
$I_D^{(1)}$	Drain current (continuous) at $T_C = 25^\circ\text{C}$	180	A
$I_D^{(1)}$	Drain current (continuous) at $T_C=100^\circ\text{C}$	120	A
$I_{DM}^{(2)}$	Drain current (pulsed)	720	A
P_{TOT}	Total dissipation at $T_C = 25^\circ\text{C}$	315	W
	Derating factor	2.1	W/ $^\circ\text{C}$
$E_{AS}^{(3)}$	Single pulse avalanche energy ($T_J = 25^\circ\text{C}$, $L=0.55\text{ mH}$, $I_{AS}= 65\text{ A}$)	1	J
T_j T_{stg}	Operating junction temperature storage temperature	- 55 to 175	$^\circ\text{C}$

1. Current limited by package.
2. Pulse width limited by safe operating area.
3. Starting $T_J=25^\circ\text{C}$, $I_D=60\text{ A}$, $V_{DD}=50\text{ V}$

Table 3. Thermal data

Symbol	Parameter	Value	Unit
$R_{thj-case}$	Thermal resistance junction-case	0.48	$^\circ\text{C}/\text{W}$
$R_{thj-pcb}^{(1)}$	Thermal resistance junction-pcb max	35	$^\circ\text{C}/\text{W}$

1. When mounted on 1 inch² FR-4 board, 2oz Cu

2 Electrical characteristics

($T_{CASE} = 25\text{ °C}$ unless otherwise specified).

Table 4. On/off states

Symbol	Parameter	Test conditions	Min.	Typ.	Max.	Unit
$V_{(BR)DSS}$	Drain-source breakdown voltage	$V_{GS} = 0, I_D = 250\ \mu\text{A}$	100			V
I_{DSS}	Zero gate voltage drain current	$V_{GS} = 0, V_{DS} = 100\ \text{V}$			1	μA
		$V_{GS} = 0, V_{DS} = 100\ \text{V}, T_C = 125\text{ °C}$			100	μA
I_{GSS}	Gate body leakage current	$V_{DS} = 0, V_{GS} = 20\ \text{V}$			100	nA
$V_{GS(th)}$	Gate threshold voltage	$V_{DS} = V_{GS}, I_D = 250\ \mu\text{A}$	2.5	3.5	4.5	V
$R_{DS(on)}$	Static drain-source on- resistance	$V_{GS} = 10\ \text{V}, I_D = 60\ \text{A}$		2.1	2.3	m Ω

Table 5. Dynamic

Symbol	Parameter	Test conditions	Min.	Typ.	Max.	Unit
C_{iss}	Input capacitance	$V_{GS} = 0, V_{DS} = 25\ \text{V}, f = 1\ \text{MHz}$	-	12800	-	pF
C_{oss}	Output capacitance		-	3500	-	pF
C_{rss}	Reverse transfer capacitance		-	170	-	pF
Q_g	Total gate charge	$V_{DD} = 50\ \text{V}, I_D = 180\ \text{A}, V_{GS} = 10\ \text{V}$ (see Figure 14)	-	180	-	nC
Q_{gs}	Gate-source charge		-	78	-	nC
Q_{gd}	Gate-drain charge		-	34	-	nC

Table 6. Switching times

Symbol	Parameter	Test conditions	Min.	Typ.	Max.	Unit
$t_{d(on)}$	Turn-on delay time	$V_{DD} = 50\ \text{V}, I_D = 90\ \text{A}, R_G = 4.7\ \Omega, V_{GS} = 10\ \text{V}$ (see Figure 13 , Figure 18)	-	62	-	ns
t_r	Rise time		-	108	-	ns
$t_{d(off)}$	Turn-off delay time		-	148	-	ns
t_f	Fall time		-	40	-	ns

Table 7. Source drain diode

Symbol	Parameter	Test conditions	Min.	Typ.	Max.	Unit
I_{SD}	Source-drain current		-		180	A
$I_{SDM}^{(1)}$	Source-drain current (pulsed)		-		720	A
$V_{SD}^{(2)}$	Forward on voltage	$I_{SD}=60\text{ A}, V_{GS}=0$	-		1.5	V
t_{rr}	Reverse recovery time	$I_{SD}=180\text{ A},$ $di/dt = 100\text{ A}/\mu\text{s},$ $V_{DD}=80\text{ V}, T_j=150^\circ\text{C}$ (see Figure 15)	-	85		ns
Q_{rr}	Reverse recovery charge		-	200		nC
I_{RRM}	Reverse recovery current		-	4.7		A

1. Pulse width limited by safe operating area.

2. Pulse duration = 300µs, duty cycle 1.5%

2.1 Electrical characteristics (curves)

Figure 2. Safe operating area

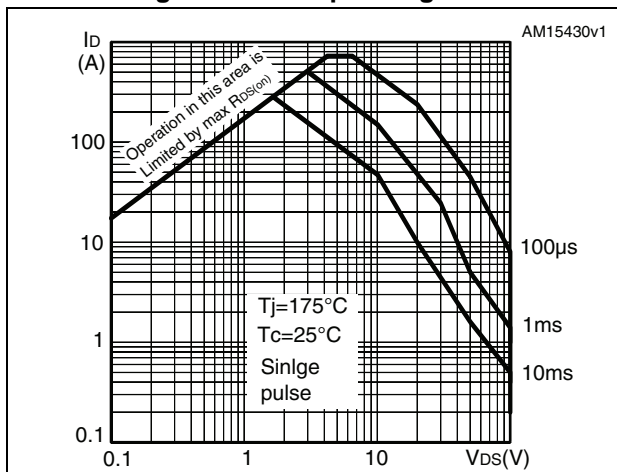


Figure 3. Thermal impedance

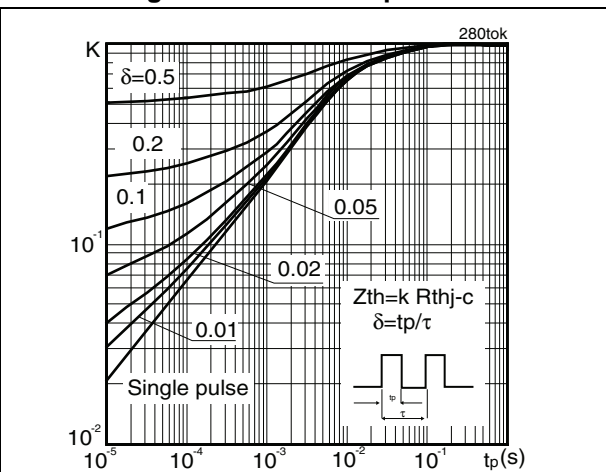


Figure 4. Output characteristics

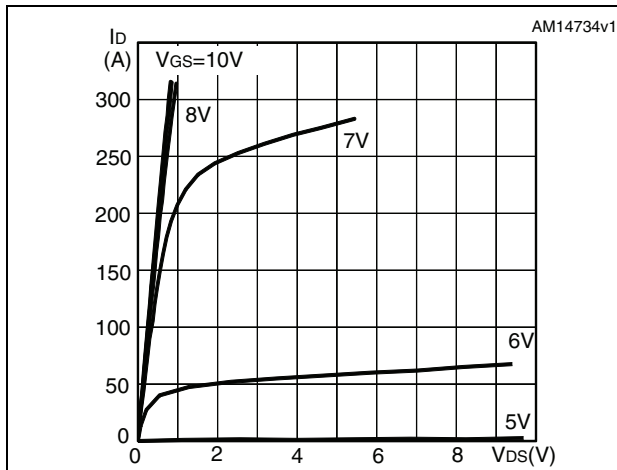


Figure 5. Transfer characteristics

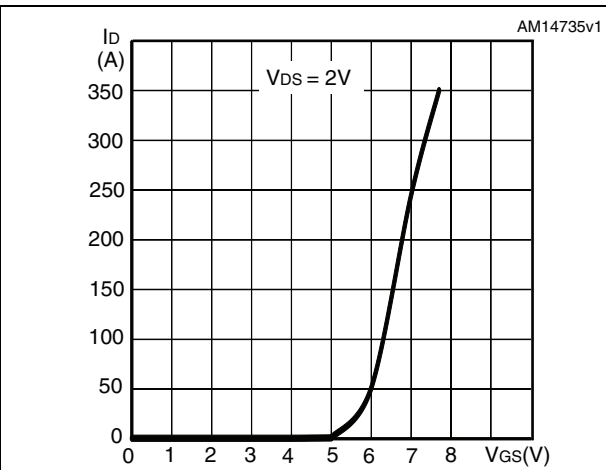


Figure 6. Gate charge vs gate-source voltage

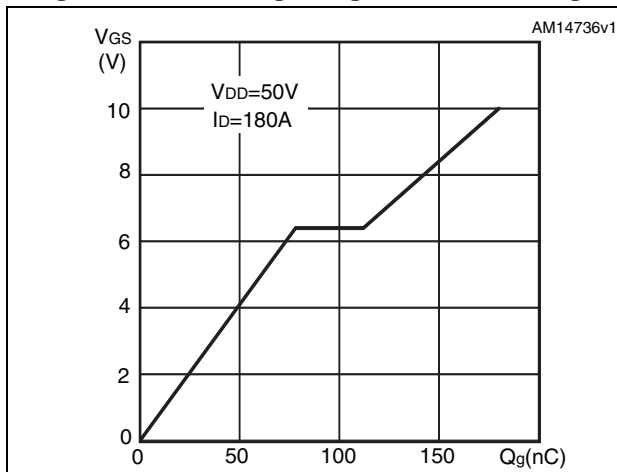


Figure 7. Static drain-source on-resistance

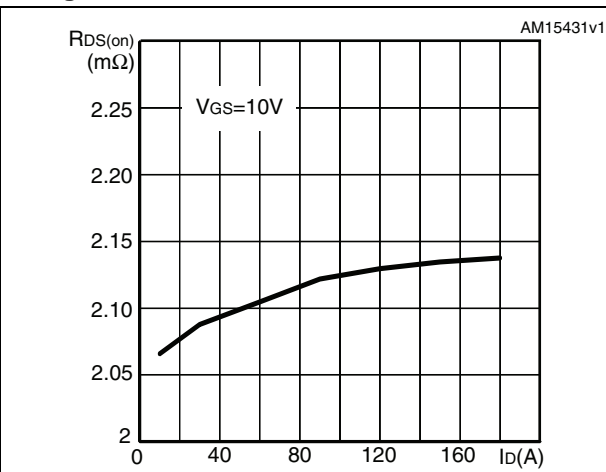


Figure 8. Normalized $V_{(BR)DSS}$ vs temperature

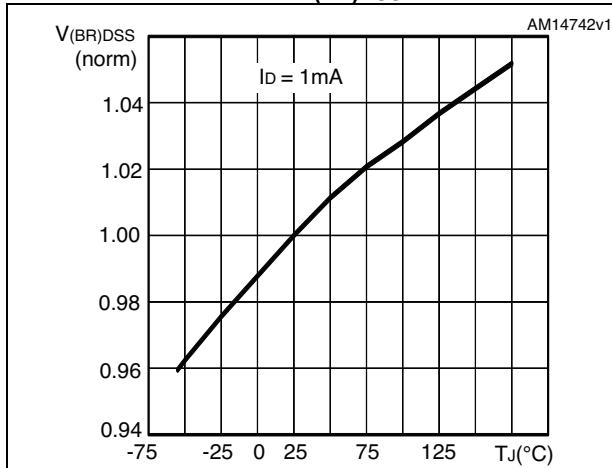


Figure 9. Capacitance variations

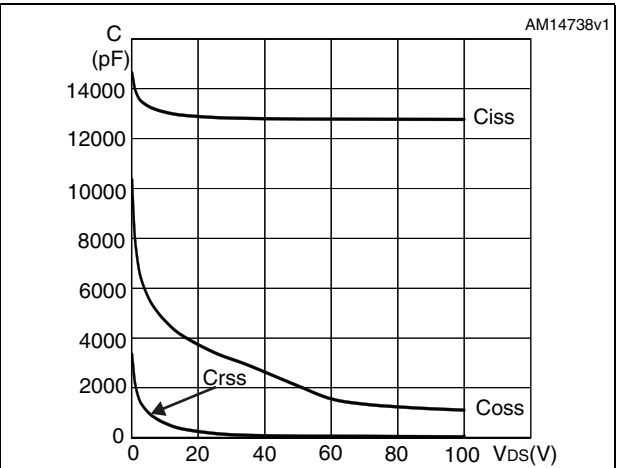


Figure 10. Source-drain diode forward characteristics

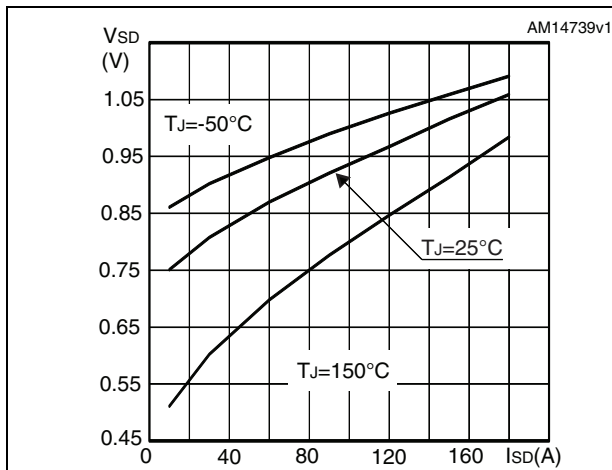


Figure 11. Normalized gate threshold voltage vs temperature

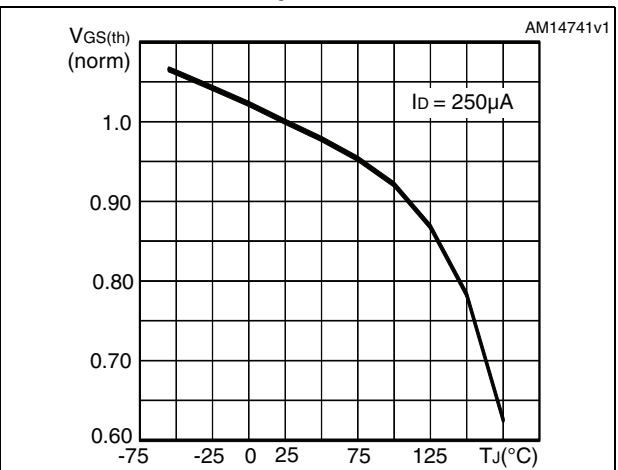
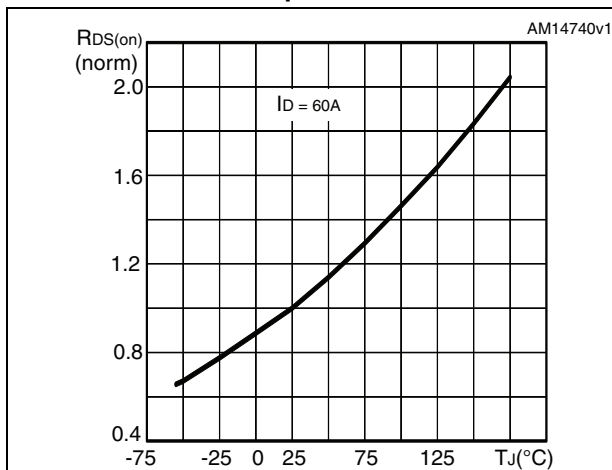


Figure 12. Normalized on-resistance vs temperature

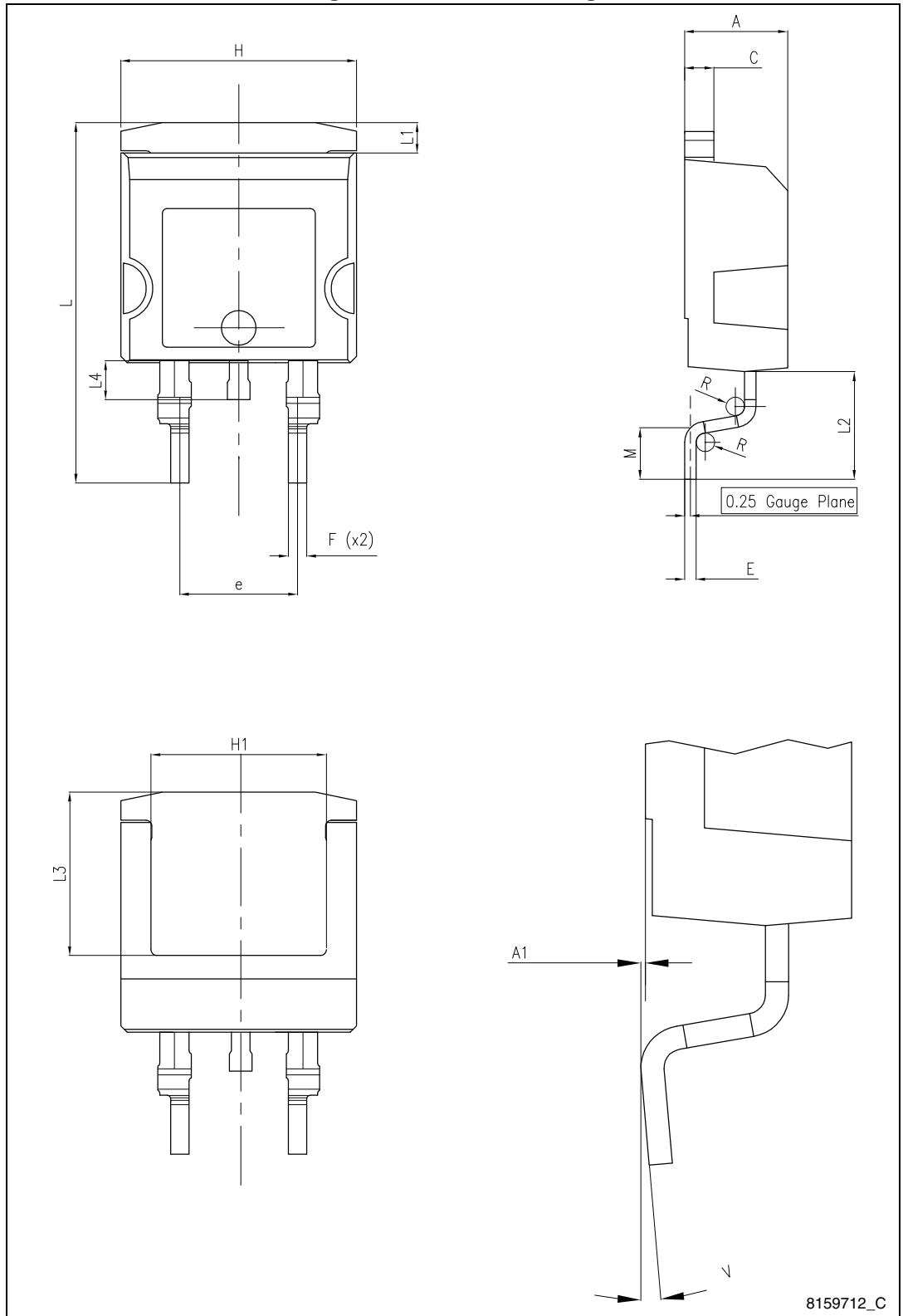


4 Package mechanical data

In order to meet environmental requirements, ST offers these devices in different grades of ECOPACK[®] packages, depending on their level of environmental compliance. ECOPACK[®] specifications, grade definitions and product status are available at: www.st.com. ECOPACK[®] is an ST trademark.

4.1 H²PAK-2, STH315N10F7-2

Figure 19. H²PAK-2 drawing

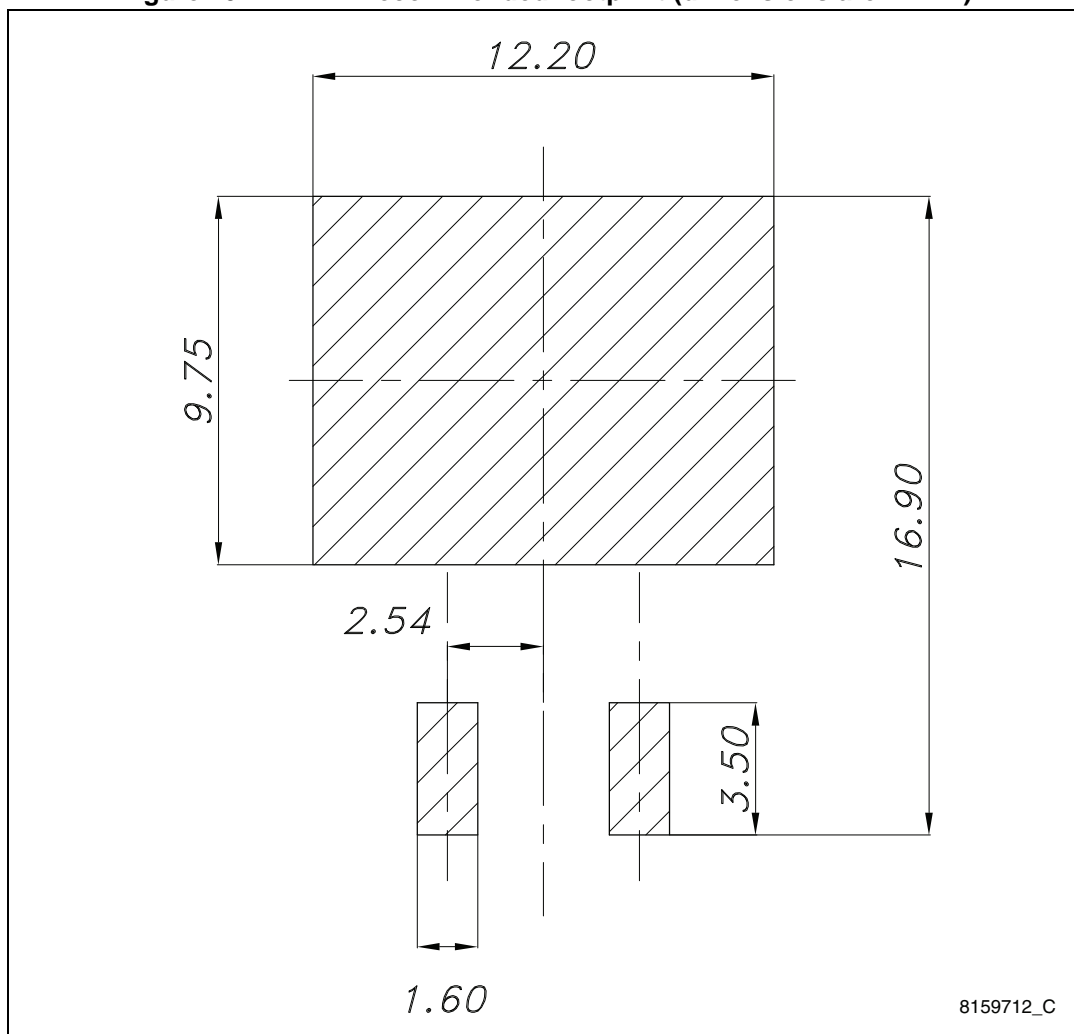


8159712_C

Table 8. H²PAK-2 mechanical data

Dim.	mm		
	Min.	Typ.	Max.
A	4.30		4.80
A1	0.03		0.20
C	1.17		1.37
e	4.98		5.18
E	0.50		0.90
F	0.78		0.85
H	10.00		10.40
H1	7.40		7.80
L	15.30		15.80
L1	1.27		1.40
L2	4.93		5.23
L3	6.85		7.25
L4	1.5		1.7
M	2.6		2.9
R	0.20		0.60
V	0°		8°

Figure 20. H²PAK-2 recommended footprint (dimensions are in mm)



8159712_C

4.2 H²PAK-6, STH315N10F7-6

Figure 21. H²PAK-6 drawing

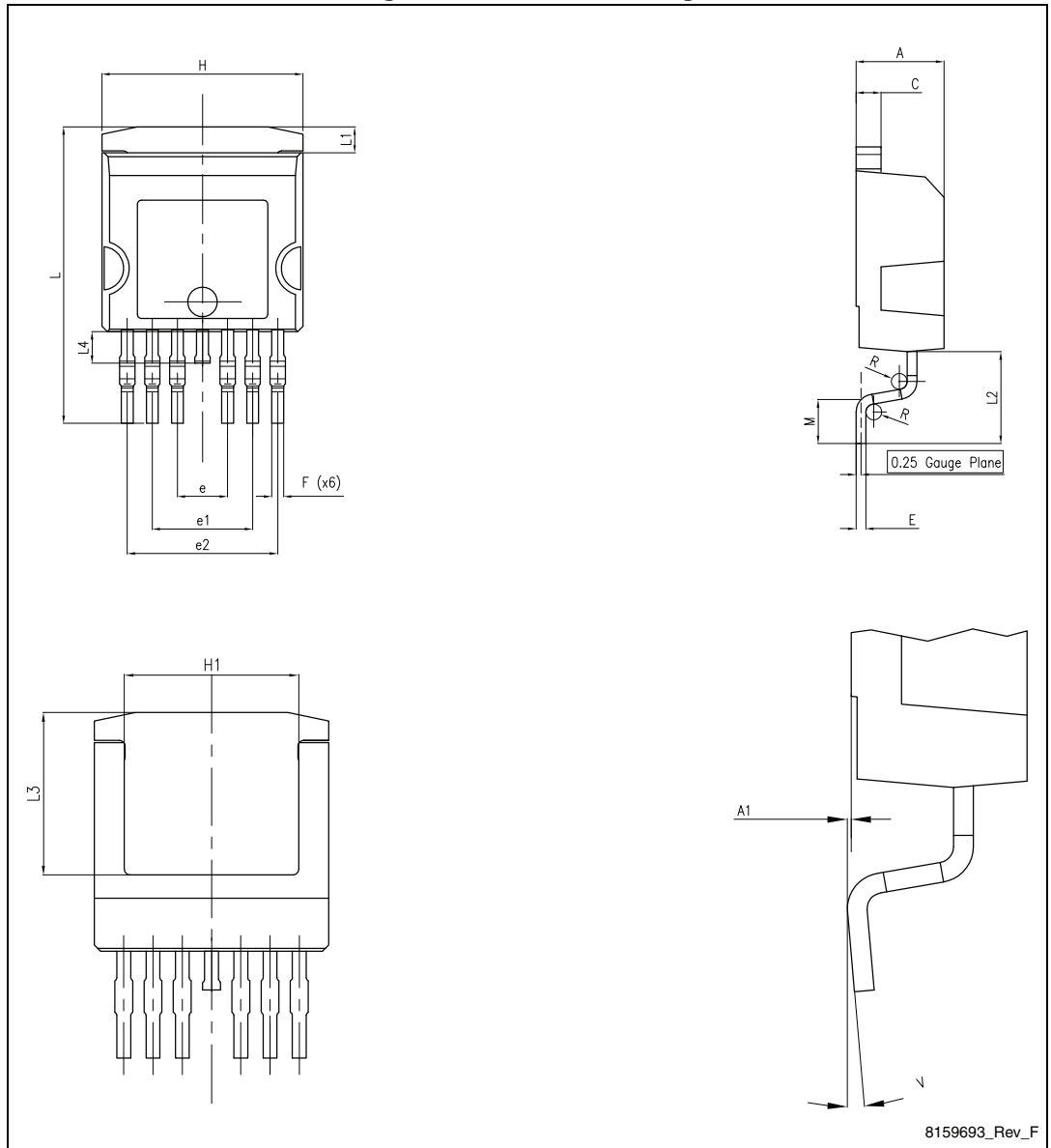
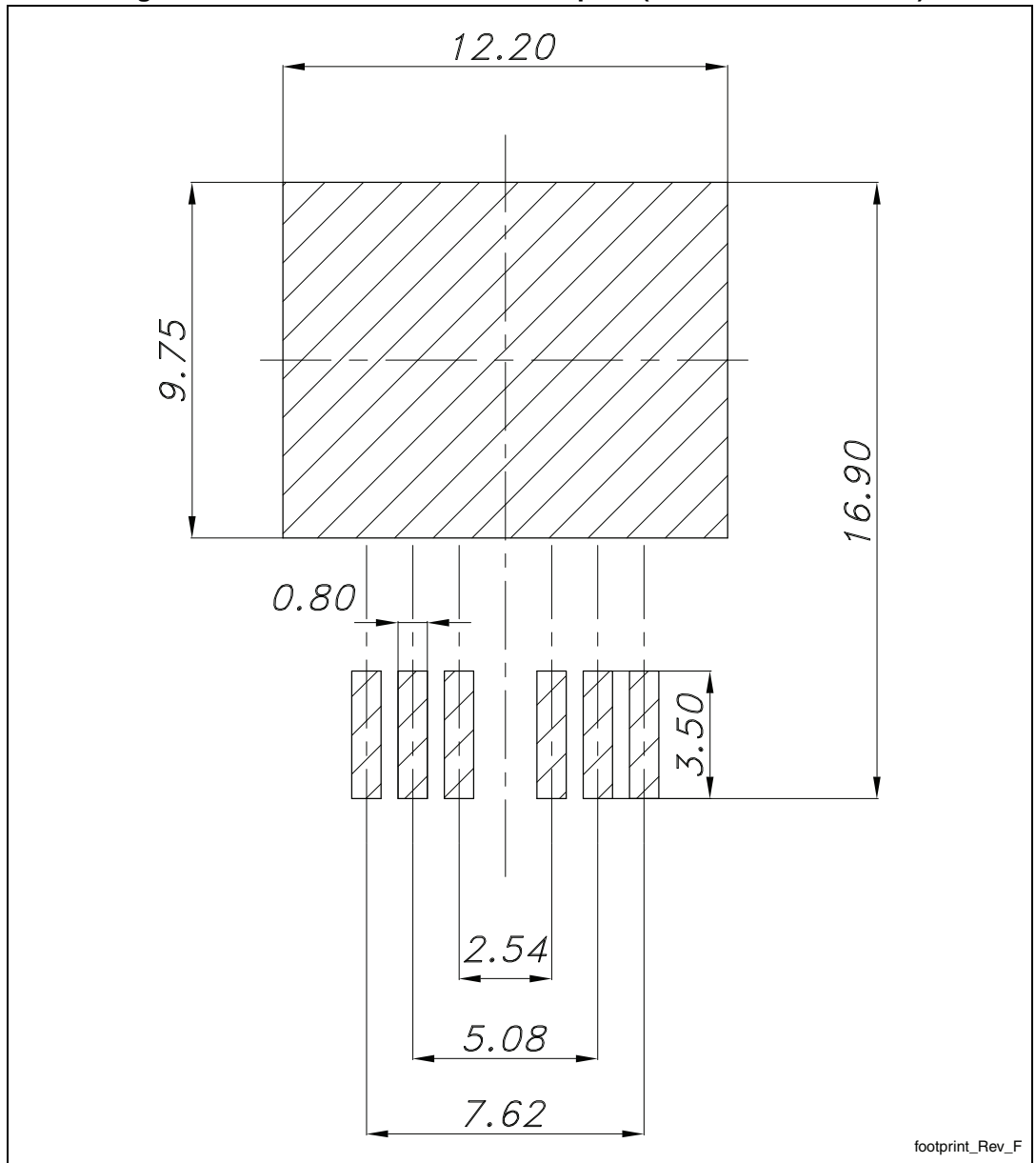


Table 9. H²PAK-6 mechanical data

Dim.	mm		
	Min.	Typ.	Max.
A	4.30		4.80
A1	0.03		0.20
C	1.17		1.37
e	2.34		2.74
e1	4.88		5.28
e2	7.42		7.82
E	0.45		0.60
F	0.50		0.70
H	10.00		10.40
H1	7.40		7.80
L	14.75		15.25
L1	1.27		1.40
L2	4.35		4.95
L3	6.85		7.25
L4	1.5		1.75
M	1.90		2.50
R	0.20		0.60
V	0°		8°

Figure 22. H²PAK-6 recommended footprint (dimensions are in mm)



5 Packaging mechanical data

Figure 23. Tape

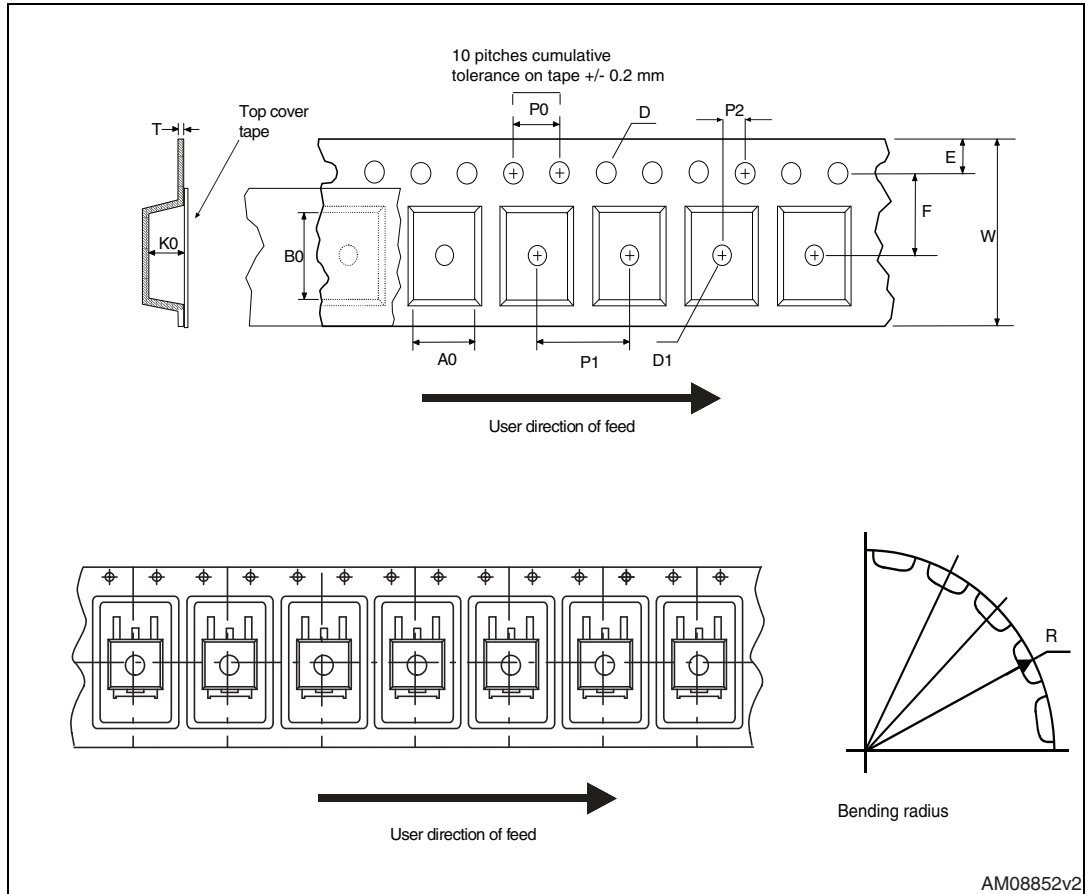
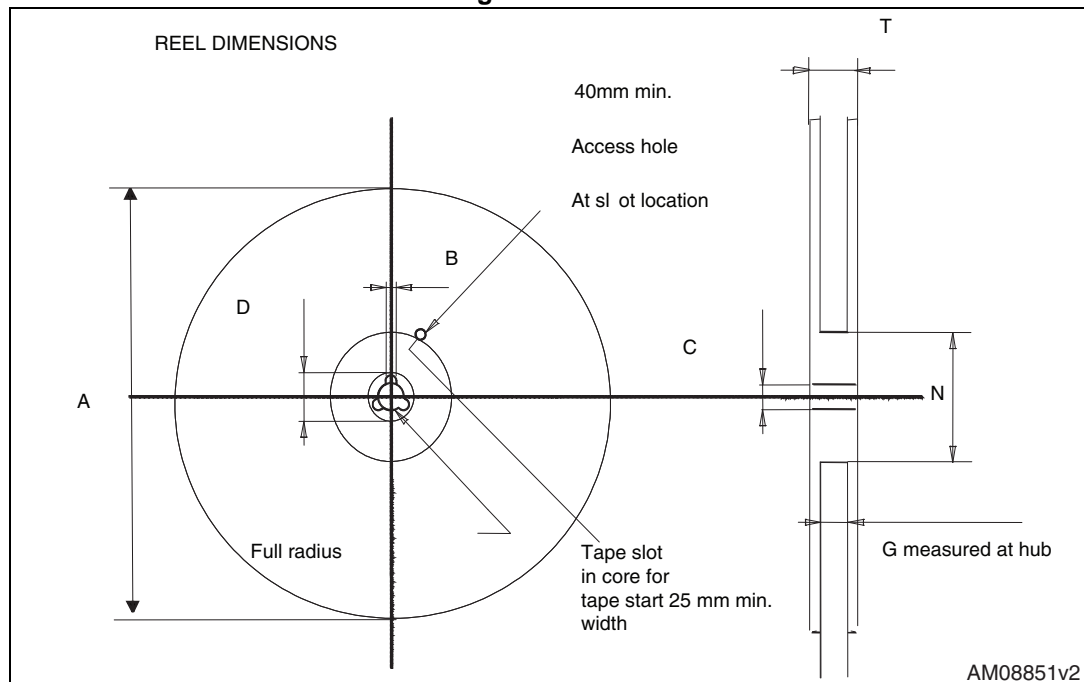


Table 10. Tape and reel mechanical data

Tape			Reel		
Dim.	mm		Dim.	mm	
	Min.	Max.		Min.	Max.
A0	10.5	10.7	A		330
B0	15.7	15.9	B	1.5	
D	1.5	1.6	C	12.8	13.2
D1	1.59	1.61	D	20.2	
E	1.65	1.85	G	24.4	26.4
F	11.4	11.6	N	100	
K0	4.8	5.0	T		30.4
P0	3.9	4.1			
P1	11.9	12.1	Base qty		1000
P2	1.9	2.1	Bulk qty		1000
R	50				
T	0.25	0.35			
W	23.7	24.3			

Figure 24. Reel



6 Revision history

Table 11. Document revision history

Date	Revision	Changes
02-Aug-2013	1	Initial release.
03-Sep-2013	2	– Modified: Table 1 , $R_{DS(on)}$ typical value in Table 4 – Minor text changes
27-May-2014	3	– Modified: title and Features in cover page – Updated: Section 4: Package mechanical data – Minor text changes
12-Sep-2014	4	– Modified: title, features and description in cover page.

IMPORTANT NOTICE – PLEASE READ CAREFULLY

STMicroelectronics NV and its subsidiaries ("ST") reserve the right to make changes, corrections, enhancements, modifications, and improvements to ST products and/or to this document at any time without notice. Purchasers should obtain the latest relevant information on ST products before placing orders. ST products are sold pursuant to ST's terms and conditions of sale in place at the time of order acknowledgement.

Purchasers are solely responsible for the choice, selection, and use of ST products and ST assumes no liability for application assistance or the design of Purchasers' products.

No license, express or implied, to any intellectual property right is granted by ST herein.

Resale of ST products with provisions different from the information set forth herein shall void any warranty granted by ST for such product.

ST and the ST logo are trademarks of ST. All other product or service names are the property of their respective owners.

Information in this document supersedes and replaces information previously supplied in any prior versions of this document.

© 2014 STMicroelectronics – All rights reserved

Mouser Electronics

Authorized Distributor

Click to View Pricing, Inventory, Delivery & Lifecycle Information:

[STMicroelectronics:](#)

[STH315N10F7-6](#) [STH315N10F7-2](#)