



STP16NF06L STP16NF06LFP

N-CHANNEL 60V - 0.07 Ω - 16A TO-220/TO-220FP
STripFET™ II POWER MOSFET

| TYPE | V _{DSS} | R _{DS(on)} | I _D |
|--------------|------------------|---------------------|----------------|
| STP16NF06L | 60 V | <0.09 Ω | 16 A |
| STP60NF06LFP | 60 V | <0.09 Ω | 11 A |

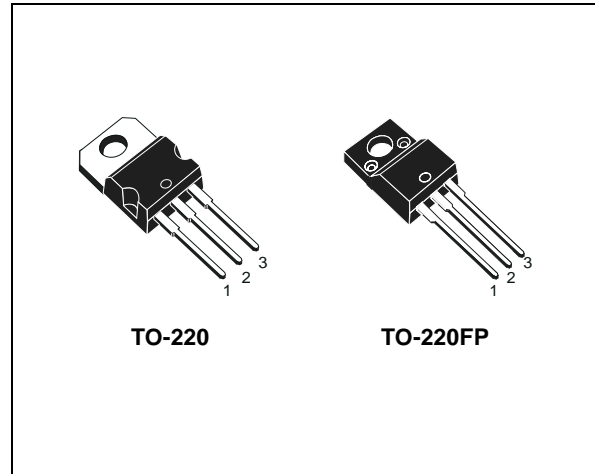
- TYPICAL R_{DS(on)} = 0.07 Ω
- EXCEPTIONAL dv/dt CAPABILITY
- LOW GATE CHARGE AT 100 °C
- LOW THRESHOLD DRIVE

DESCRIPTION

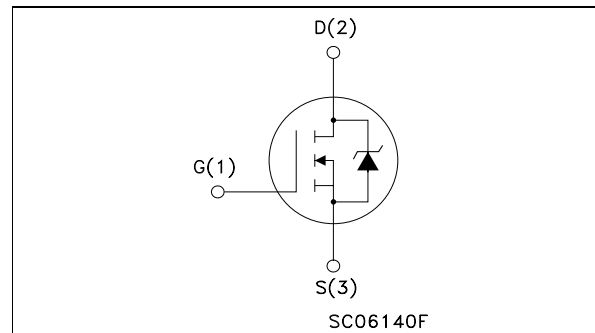
This Power MOSFET is the latest development of STMicroelectronics unique "Single Feature Size™" strip-based process. The resulting transistor shows extremely high packing density for low on-resistance, rugged avalanche characteristics and less critical alignment steps therefore a remarkable manufacturing reproducibility.

APPLICATIONS

- MOTOR CONTROL, AUDIO AMPLIFIERS
- HIGH CURRENT, HIGH SPEED SWITCHING
- SOLENOID AND RELAY DRIVERS
- DC-DC & DC-AC CONVERTERS
- AUTOMOTIVE ENVIRONMENT



INTERNAL SCHEMATIC DIAGRAM



ABSOLUTE MAXIMUM RATINGS

| Symbol | Parameter | Value | | Unit |
|---------------------|---|------------|--------------|------|
| | | STP16NF06L | STP16NF06LFP | |
| V _{DS} | Drain-source Voltage (V _{GS} = 0) | 60 | | V |
| V _{DGR} | Drain-gate Voltage (R _{GS} = 20 k Ω) | 60 | | V |
| V _{GS} | Gate- source Voltage | ± 16 | | V |
| I _D | Drain Current (continuous) at T _C = 25°C | 16 | 11(*) | A |
| I _D | Drain Current (continuous) at T _C = 100°C | 11 | 7.5(*) | A |
| I _{DM} (•) | Drain Current (pulsed) | 64 | 44(*) | A |
| P _{tot} | Total Dissipation at T _C = 25°C | 45 | 25 | W |
| | Derating Factor | 0.3 | 0.17 | W/°C |
| dv/dt (1) | Peak Diode Recovery voltage slope | 23 | | V/ns |
| E _{AS} (2) | Single Pulse Avalanche Energy | 127 | | mJ |
| V _{ISO} | Insulation Withstand Voltage (DC) | ----- | 2500 | V |
| T _{stg} | Storage Temperature | -55 to 175 | | °C |
| T _j | Operating Junction Temperature | | | |

(•) Pulse width limited by safe operating area.

(*) Current Limited by package's thermal resistance

(1) I_{SD} \leq 16A, di/dt \leq 210A/ μ s, V_{DD} \leq V_{(BR)DSS}, T_j \leq T_{JMAX}.

(2) Starting T_j = 25 °C, I_D = 8A, V_{DD} = 30V

STP16NF06L/FP

THERMAL DATA

| | | | TO-220 | TO-220FP | |
|----------------------------|---|-----|-------------|----------|------------|
| Rthj-case | Thermal Resistance Junction-case | Max | 3.33 | 6 | °C/W |
| Rthj-amb T _I | Thermal Resistance Junction-ambient Maximum Lead Temperature For Soldering Purpose | Max | 62.5 300 | | °C/W °C |

ELECTRICAL CHARACTERISTICS (T_{case} = 25 °C unless otherwise specified)

OFF

| Symbol | Parameter | Test Conditions | Min. | Typ. | Max. | Unit |
|----------------------|---|---|------|------|---------|----------|
| V _{(BR)DSS} | Drain-source Breakdown Voltage | I _D = 250 μA, V _{GS} = 0 | 60 | | | V |
| I _{DSS} | Zero Gate Voltage Drain Current (V _{GS} = 0) | V _{DS} = Max Rating V _{DS} = Max Rating T _C = 125°C | | | 1 10 | μA μA |
| I _{GSS} | Gate-body Leakage Current (V _{DS} = 0) | V _{GS} = ± 16V | | | ±100 | nA |

ON (1)

| Symbol | Parameter | Test Conditions | Min. | Typ. | Max. | Unit |
|---------------------|-----------------------------------|---|------|--------------|--------------|--------|
| V _{GS(th)} | Gate Threshold Voltage | V _{DS} = V _{GS} I _D = 250 μA | 1 | | 2.5 | V |
| R _{DS(on)} | Static Drain-source On Resistance | V _{GS} = 5 V I _D = 8 A V _{GS} = 10 V I _D = 8 A | | 0.08 0.07 | 0.10 0.09 | Ω Ω |

DYNAMIC

| Symbol | Parameter | Test Conditions | Min. | Typ. | Max. | Unit |
|--|---|---|------|-----------------|------|----------------|
| g _{fs} (*) | Forward Transconductance | V _{DS} > I _{D(on)} × R _{DS(on)max} , I _D = 8 A | | 17 | | S |
| C _{iss} C _{oss} C _{rss} | Input Capacitance Output Capacitance Reverse Transfer Capacitance | V _{DS} = 25V, f = 1 MHz, V _{GS} = 0 | | 345 72 29 | | pF pF pF |

ELECTRICAL CHARACTERISTICS (continued)

SWITCHING ON

| Symbol | Parameter | Test Conditions | Min. | Typ. | Max. | Unit |
|-------------------------------|--|--|------|-------------------|------|----------------|
| $t_{d(on)}$ t_r | Turn-on Delay Time Rise Time | $V_{DD} = 30\text{ V}$ $I_D = 8\text{ A}$ $R_G = 4.7\ \Omega$ $V_{GS} = 4.5\text{ V}$ (Resistive Load, Figure 3) | | 10 37 | | ns ns |
| Q_g Q_{gs} Q_{gd} | Total Gate Charge Gate-Source Charge Gate-Drain Charge | $V_{DD} = 48\text{ V}$ $I_D = 16\text{ A}$ $V_{GS} = 5\text{ V}$ | | 7.3 2.1 3.1 | 10 | nC nC nC |

SWITCHING OFF

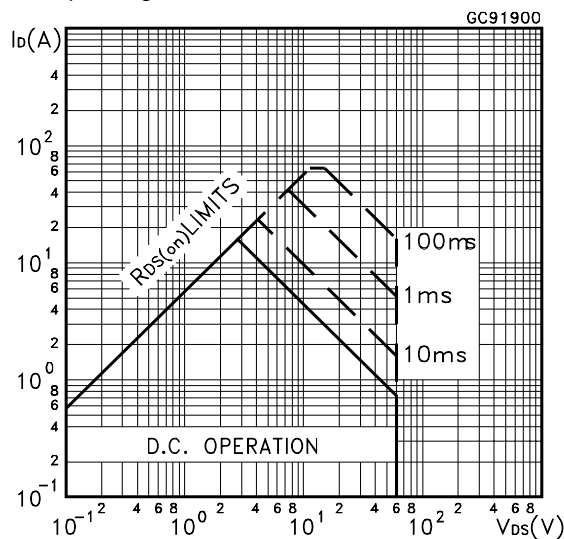
| Symbol | Parameter | Test Conditions | Min. | Typ. | Max. | Unit |
|-----------------------|----------------------------------|--|------|------------|------|----------|
| $t_{d(off)}$ t_f | Turn-off Delay Time Fall Time | $V_{DD} = 30\text{ V}$ $I_D = 8\text{ A}$ $R_G = 4.7\ \Omega$, $V_{GS} = 4.5\text{ V}$ (Resistive Load, Figure 3) | | 20 12.5 | | ns ns |

SOURCE DRAIN DIODE

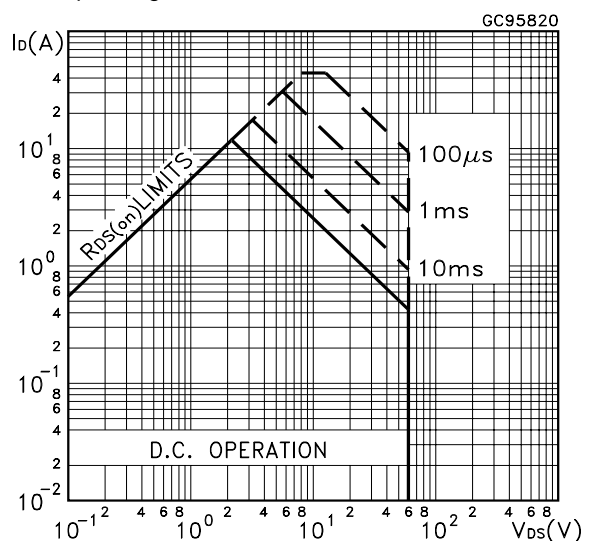
| Symbol | Parameter | Test Conditions | Min. | Typ. | Max. | Unit |
|-----------------------------------|--|---|------|-------------------|----------|---------------|
| I_{SD} $I_{SDM} (*)$ | Source-drain Current Source-drain Current (pulsed) | | | | 16 64 | A A |
| $V_{SD} (*)$ | Forward On Voltage | $I_{SD} = 16\text{ A}$ $V_{GS} = 0$ | | | 1.3 | V |
| t_{rr} Q_{rr} I_{RRM} | Reverse Recovery Time Reverse Recovery Charge Reverse Recovery Current | $I_{SD} = 16\text{ A}$ $di/dt = 100\text{ A}/\mu\text{s}$ $V_{DD} = 16\text{ V}$ $T_j = 150^\circ\text{C}$ (see test circuit, Figure 5) | | 50 67.5 2.7 | | ns nC A |

(*)Pulsed: Pulse duration = 300 μs , duty cycle 1.5 %.
 (●)Pulse width limited by safe operating area.

Safe Operating Area for TO-220

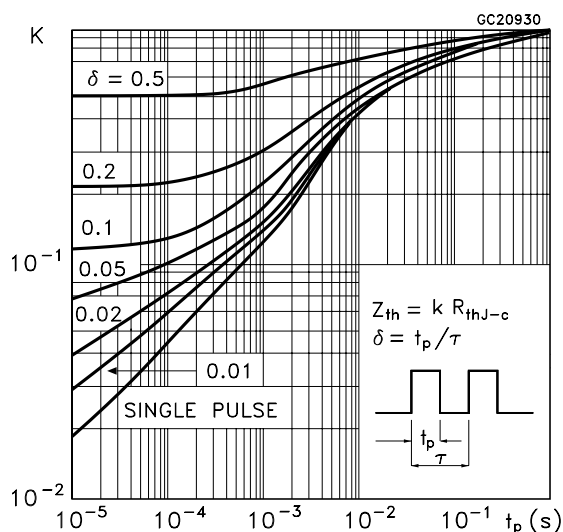


Safe Operating Area for TO-220FP

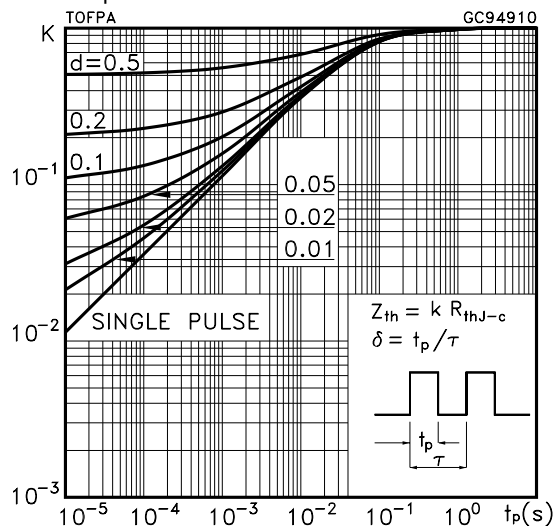


STP16NF06L/FP

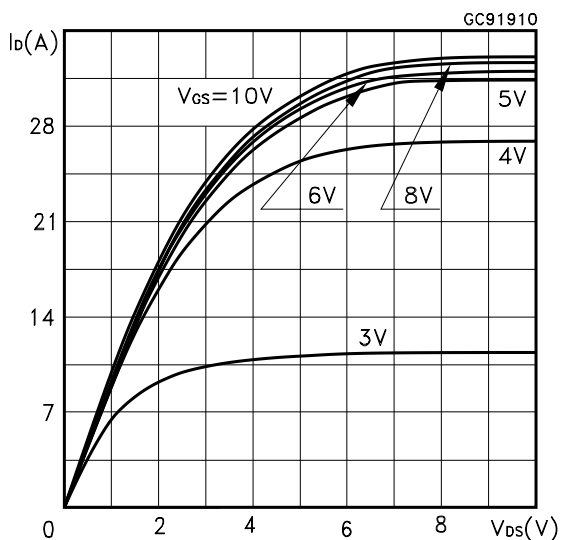
Thermal Impedance



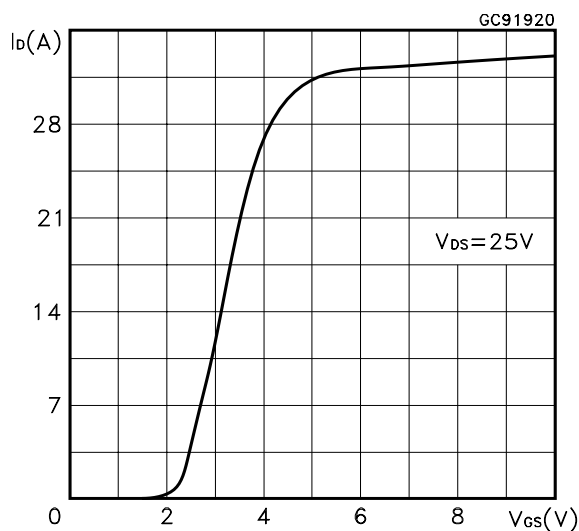
Thermal Impedance for TO-220FP



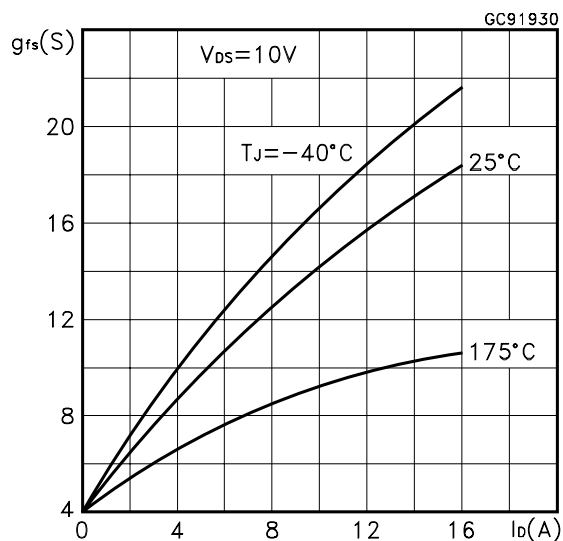
Output Characteristics



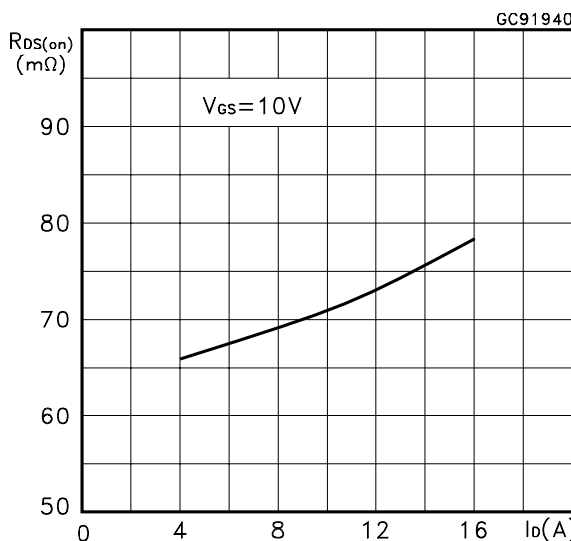
Transfer Characteristics



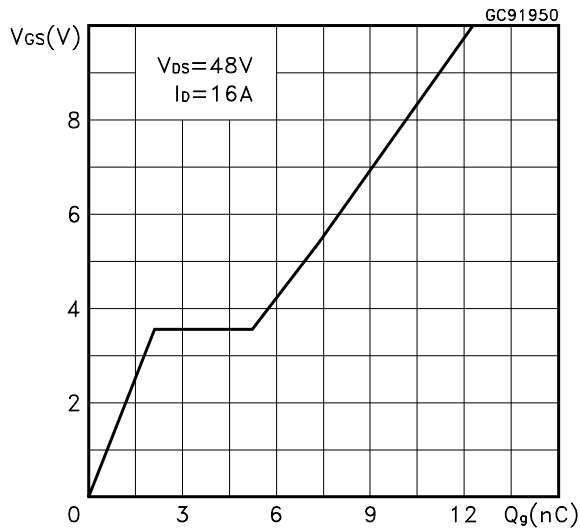
Transconductance



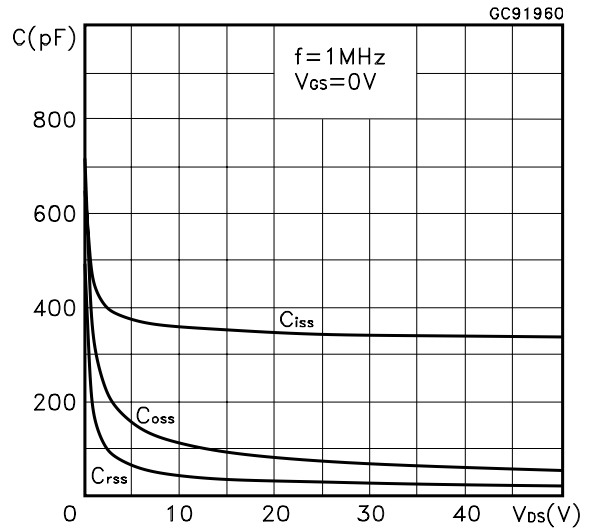
Static Drain-source On Resistance



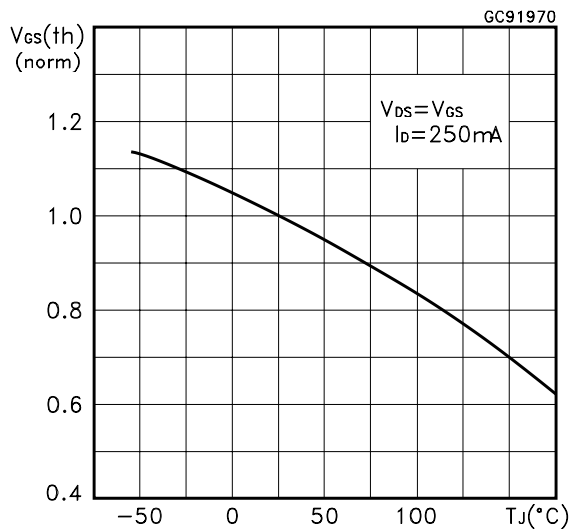
Gate Charge vs Gate-source Voltage



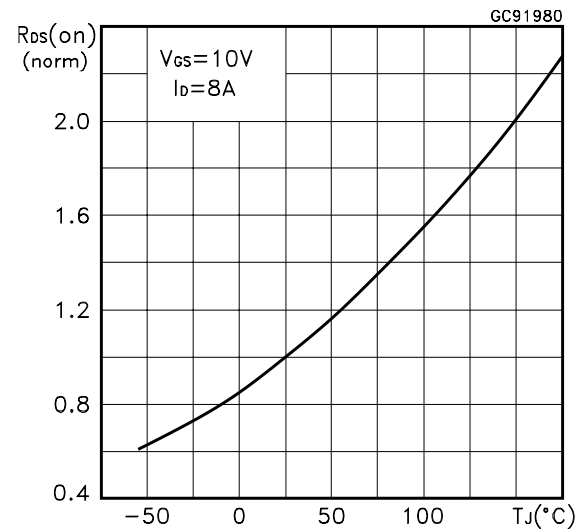
Capacitance Variations



Normalized Gate Threshold Voltage vs Temperature



Normalized on Resistance vs Temperature



Source-drain Diode Forward Characteristics

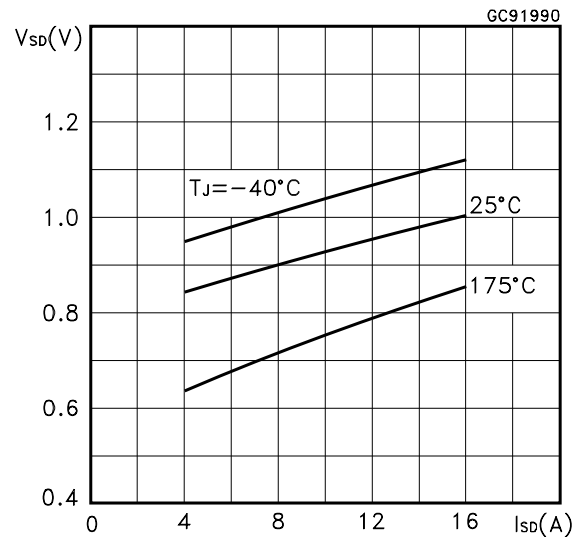


Fig. 1: Unclamped Inductive Load Test Circuit



Fig. 2: Unclamped Inductive Waveform



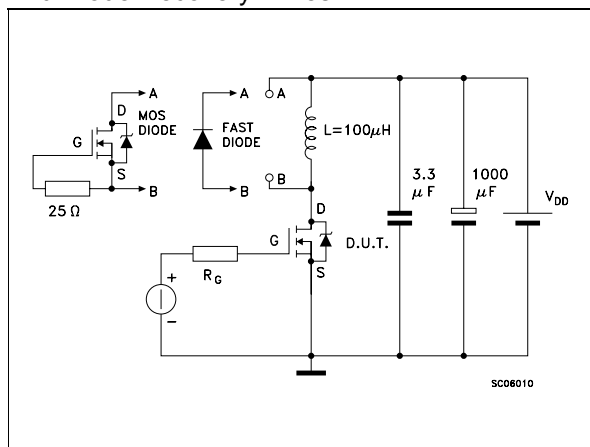
Fig. 3: Switching Times Test Circuits For Resistive Load



Fig. 4: Gate Charge test Circuit

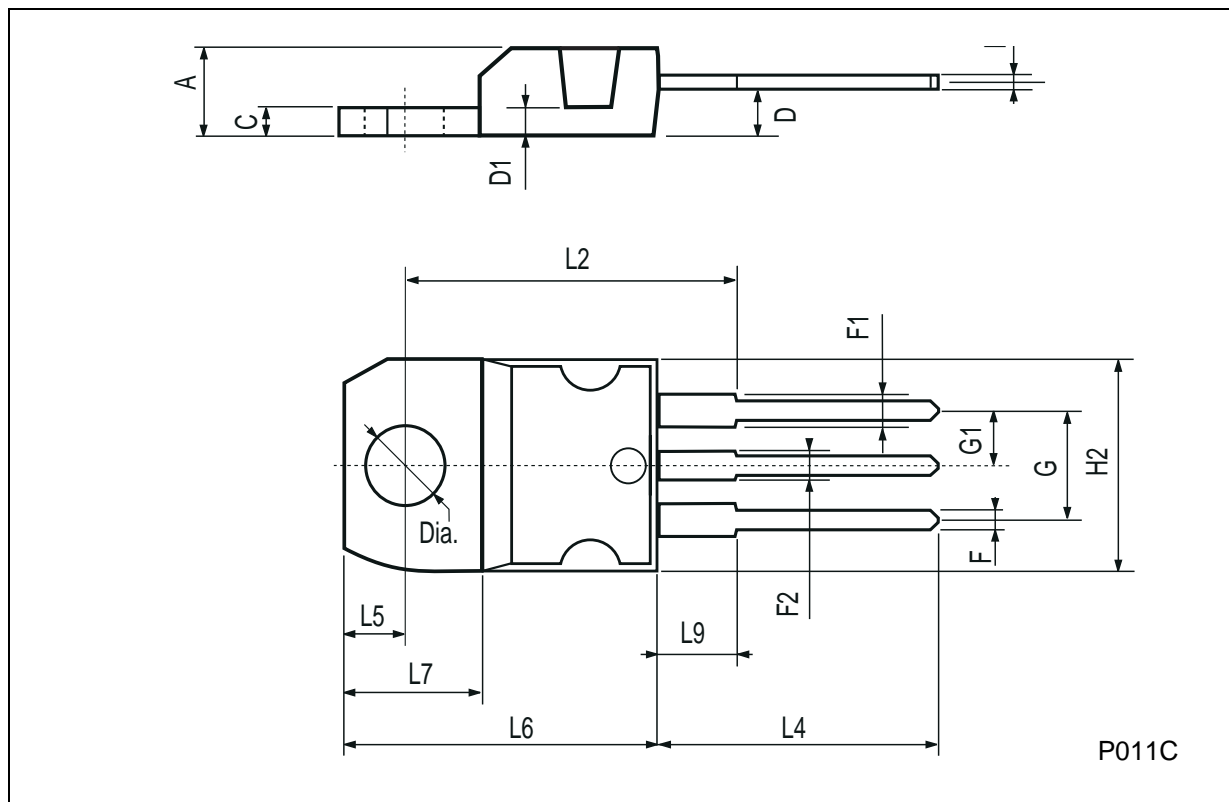


Fig. 5: Test Circuit For Inductive Load Switching And Diode Recovery Times



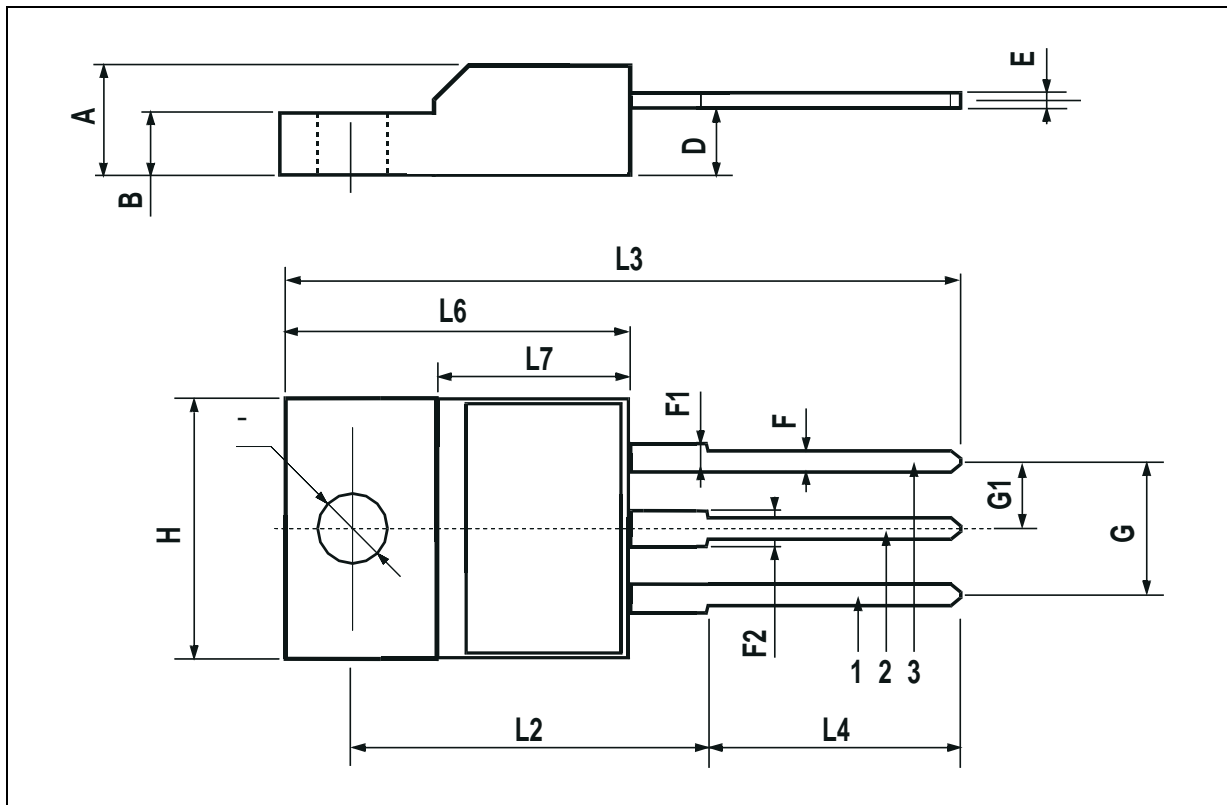
TO-220 MECHANICAL DATA

| DIM. | mm | | | inch | | |
|------|-------|------|-------|-------|-------|-------|
| | MIN. | TYP. | MAX. | MIN. | TYP. | MAX. |
| A | 4.40 | | 4.60 | 0.173 | | 0.181 |
| C | 1.23 | | 1.32 | 0.048 | | 0.051 |
| D | 2.40 | | 2.72 | 0.094 | | 0.107 |
| D1 | | 1.27 | | | 0.050 | |
| E | 0.49 | | 0.70 | 0.019 | | 0.027 |
| F | 0.61 | | 0.88 | 0.024 | | 0.034 |
| F1 | 1.14 | | 1.70 | 0.044 | | 0.067 |
| F2 | 1.14 | | 1.70 | 0.044 | | 0.067 |
| G | 4.95 | | 5.15 | 0.194 | | 0.203 |
| G1 | 2.4 | | 2.7 | 0.094 | | 0.106 |
| H2 | 10.0 | | 10.40 | 0.393 | | 0.409 |
| L2 | | 16.4 | | | 0.645 | |
| L4 | 13.0 | | 14.0 | 0.511 | | 0.551 |
| L5 | 2.65 | | 2.95 | 0.104 | | 0.116 |
| L6 | 15.25 | | 15.75 | 0.600 | | 0.620 |
| L7 | 6.2 | | 6.6 | 0.244 | | 0.260 |
| L9 | 3.5 | | 3.93 | 0.137 | | 0.154 |
| DIA. | 3.75 | | 3.85 | 0.147 | | 0.151 |



TO-220FP MECHANICAL DATA

| DIM. | mm | | | inch | | |
|------|------|------|------|-------|-------|-------|
| | MIN. | TYP. | MAX. | MIN. | TYP. | MAX. |
| A | 4.4 | | 4.6 | 0.173 | | 0.181 |
| B | 2.5 | | 2.7 | 0.098 | | 0.106 |
| D | 2.5 | | 2.75 | 0.098 | | 0.108 |
| E | 0.45 | | 0.7 | 0.017 | | 0.027 |
| F | 0.75 | | 1 | 0.030 | | 0.039 |
| F1 | 1.15 | | 1.7 | 0.045 | | 0.067 |
| F2 | 1.15 | | 1.7 | 0.045 | | 0.067 |
| G | 4.95 | | 5.2 | 0.195 | | 0.204 |
| G1 | 2.4 | | 2.7 | 0.094 | | 0.106 |
| H | 10 | | 10.4 | 0.393 | | 0.409 |
| L2 | | 16 | | | 0.630 | |
| L3 | 28.6 | | 30.6 | 1.126 | | 1.204 |
| L4 | 9.8 | | 10.6 | 0.385 | | 0.417 |
| L6 | 15.9 | | 16.4 | 0.626 | | 0.645 |
| L7 | 9 | | 9.3 | 0.354 | | 0.366 |
| Ø | 3 | | 3.2 | 0.118 | | 0.126 |



Information furnished is believed to be accurate and reliable. However, STMicroelectronics assumes no responsibility for the consequences of use of such information nor for any infringement of patents or other rights of third parties which may result from its use. No license is granted by implication or otherwise under any patent or patent rights of STMicroelectronics. Specifications mentioned in this publication are subject to change without notice. This publication supersedes and replaces all information previously supplied. STMicroelectronics products are not authorized for use as critical components in life support devices or systems without express written approval of STMicroelectronics.

The ST logo is registered trademark of STMicroelectronics
All other names are the property of their respective owners.

© 2004 STMicroelectronics - All Rights Reserved

STMicroelectronics GROUP OF COMPANIES

Australia - Belgium - Brazil - Canada - China - Czech Republic - Finland - France - Germany - Hong Kong - India - Israel - Italy - Japan -
Malaysia - Malta - Morocco - Singapore - Spain - Sweden - Switzerland - United Kingdom - United States.

www.st.com

Mouser Electronics

Authorized Distributor

Click to View Pricing, Inventory, Delivery & Lifecycle Information:

[STMicroelectronics:](#)

[STP16NF06L](#)