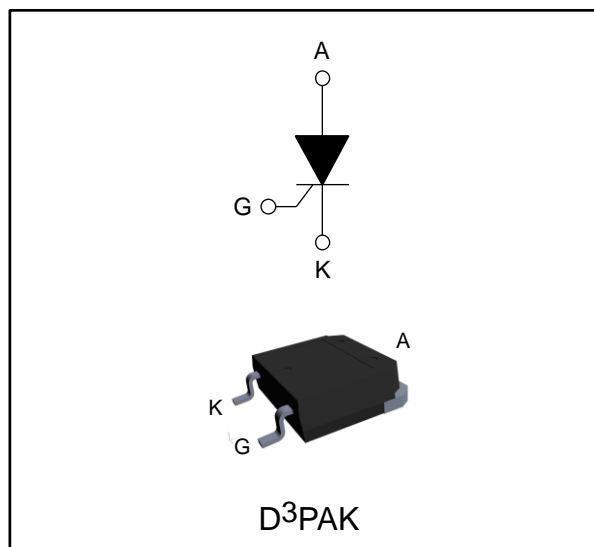


80 A high temperature Thyristor (SCR)

Datasheet - production data



Applications

- AC-DC rectifier controlled bridge
- Motorbike voltage regulator
- Variable speed motor drive
- Battery charging system
- AC solid state relay
- By-pass switch of UPS
- Industrial welding systems
- Motor soft starter

Description

Available in high power package (D³PAK), the device is suitable in applications where power switching ($I_{T(RMS)} = 80\text{ A}$ at $T_C = 130\text{ °C}$) and power dissipation ($V_{TM} = 1.55\text{ V}$ at 160 A) are critical, such as motorbike voltage regulator, by-pass AC switch, controlled rectifier bridge, solid state relay, battery charger, welding equipment and motor driver applications. The TM8050H-8D3 is available in surface mount D³PAK package.

Table 1: Device summary

Symbol	Value
$I_{T(RMS)}$	80 A
V_{DRM}/V_{RRM}	800 V
I_{GT}	50 mA
T_j	150 °C

Features

- High junction temperature: $T_j = 150\text{ °C}$
- Blocking voltage: $V_{DRM} = V_{RRM} = 800\text{ V}$
- Nominal current: $I_{T(RMS)} = 80\text{ A}$
- Gate triggering current: $I_{GT\text{ max.}} = 50\text{ mA}$
- High noise immunity: $dV/dt > 1\text{ kV}/\mu\text{s}$
- Surface mounted device D³PAK
- Increase of thermal margin due to extended T_j up to 150 °C
- Low I_D and I_R in blocking state
- High compact power SMD design

1 Characteristics

Table 2: Absolute ratings (limiting values)

Symbol	Parameter		Value	Unit	
$I_{T(RMS)}$	RMS on-state current (180 ° conduction angle)		80	A	
$I_{T(AV)}$	Average on-state current (180 ° conduction angle)				
I_{TSM}	Non repetitive surge peak on-state current	$t_p = 8.3 \text{ ms}$	731	A	
		$t_p = 10 \text{ ms}$			
I^2t	I^2t value for fusing		2245	A^2s	
V_{RRM} / V_{DRM}	Maximum repetitive symmetric blocking voltage			800	V
di/dt	Critical rate of rise of on-state current $I_G = 2 \times I_{GT}, tr \leq 100 \text{ ns}$	$f = 50 \text{ Hz}$	$T_j = 25 \text{ °C}$	200	$A/\mu s$
I_{GM}	Peak gate current	$t_p = 20 \mu s$	$T_j = 150 \text{ °C}$	8	A
$P_{G(AV)}$	Average gate power dissipation		$T_j = 150 \text{ °C}$	1	W
V_{RGM}	Maximum peak reverse gate voltage			5	V
T_{stg}	Storage junction temperature range			-40 to +150	°C
T_j	Maximum operating junction temperature			-40 to +150	°C
T_L	Maximum lead temperature during 10 to 30 s duration			245	°C

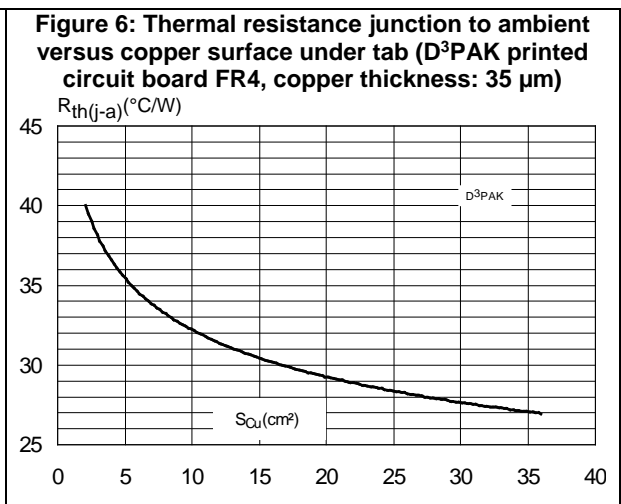
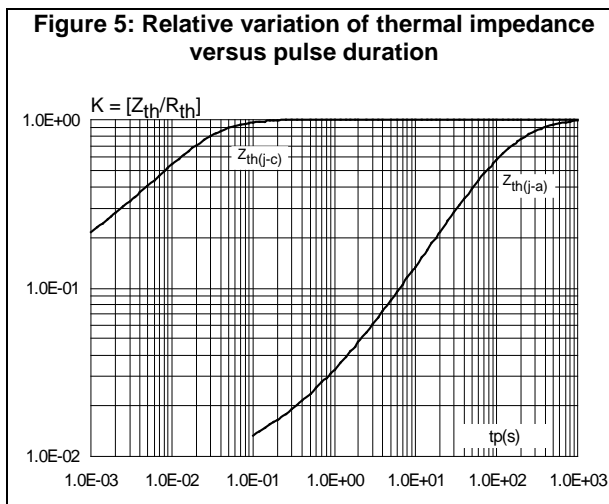
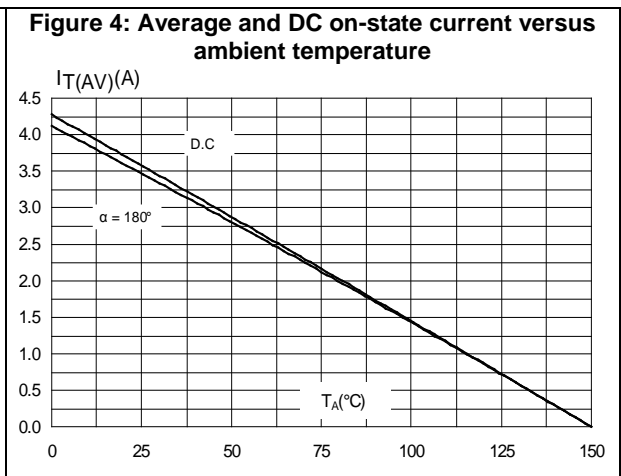
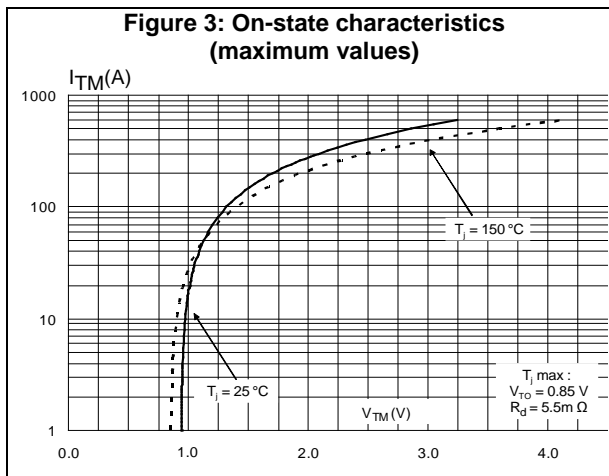
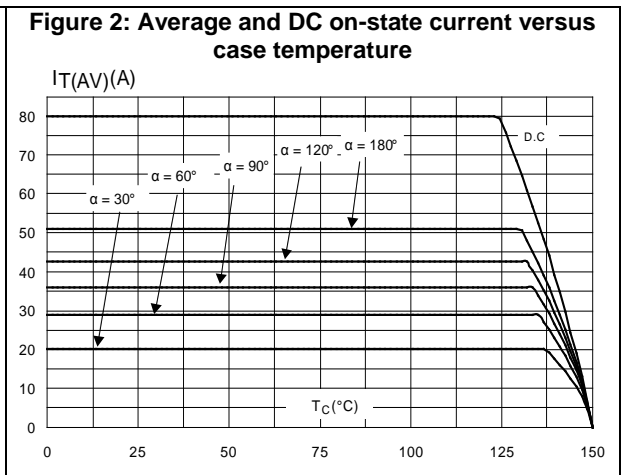
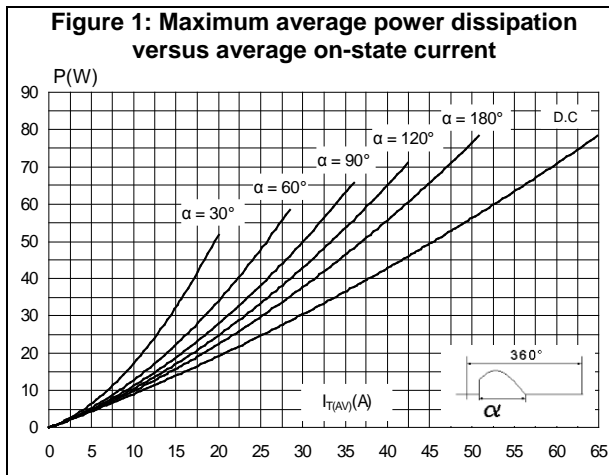
Table 3: Electrical characteristics ($T_j = 25 \text{ °C}$ unless otherwise specified)

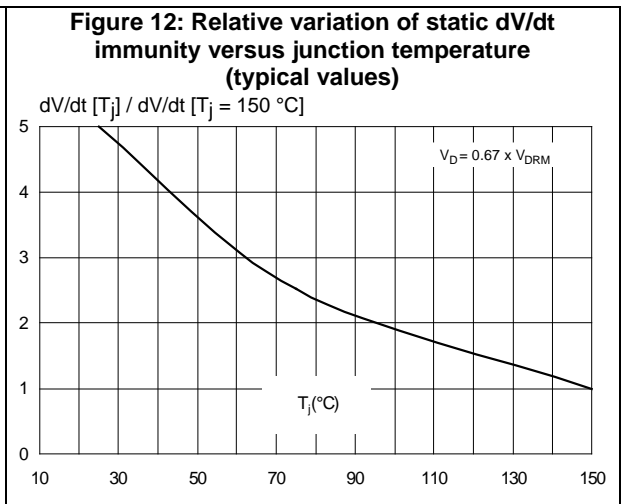
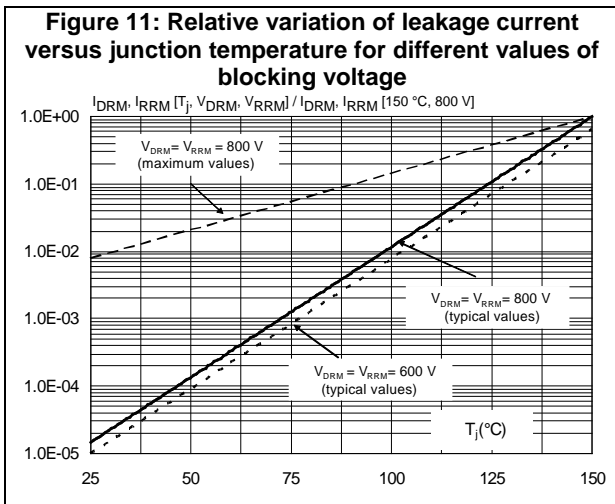
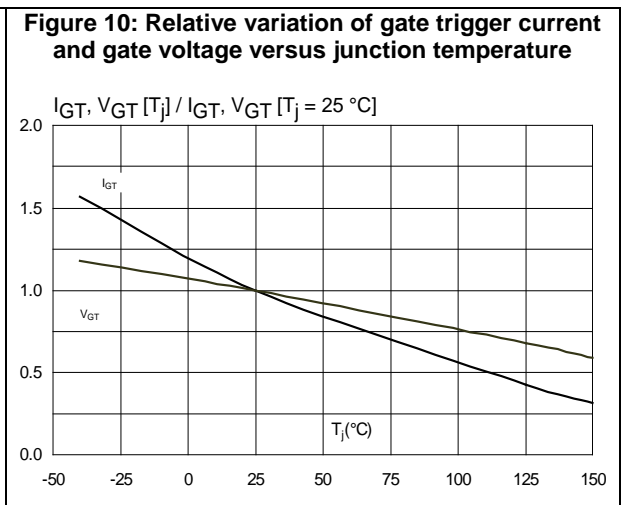
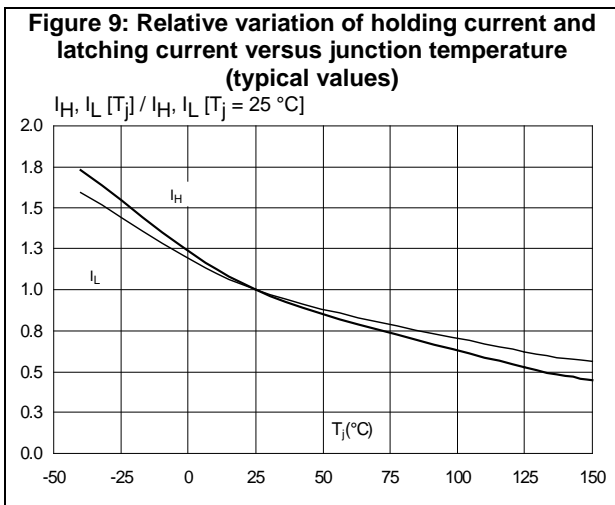
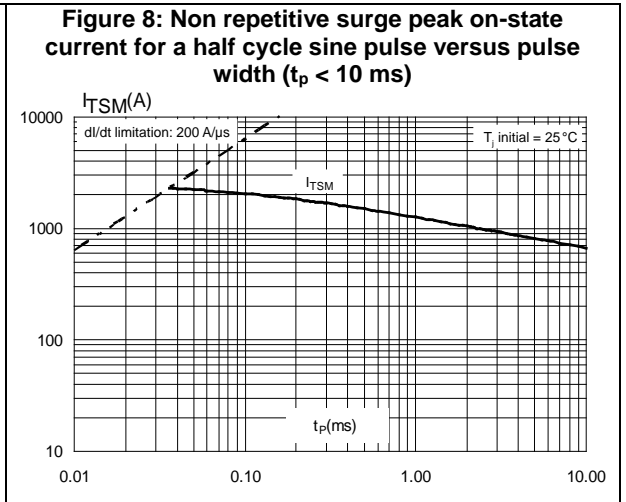
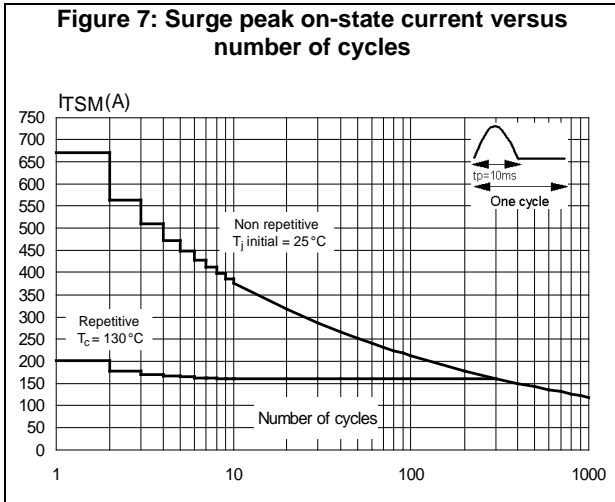
Symbol	Test Conditions	Value	Unit
I_{GT}	$V_D = 12 \text{ V}, R_L = 33 \Omega$	Min.	2.5
		Max.	50
V_{GT}	$V_D = 12 \text{ V}, R_L = 33 \Omega$	Max.	1.5
V_{GD}	$V_D = V_{DRM}, R_L = 3.3 \text{ k}\Omega$	Min.	0.2
I_H	$I_T = 500 \text{ mA}, \text{ gate open}$	Max.	100
I_L	$I_G = 1.2 \times I_{GT}$	Max.	125
t_{gt}	$I_T = 80 \text{ A}, V_D = V_{DRM}, I_G = 200 \text{ mA}, di_G/dt = 0.2 \text{ A}/\mu s$	Typ.	3
dV/dt	$V_D = 67 \% V_{DRM}, \text{ gate open}$	Min.	1000
t_q	$I_T = 33 \text{ A}, di_T/dt = 10 \text{ A}/\mu s, V_R = 75 \text{ V}, V_D = 400 \text{ V}, dV_D/dt = 20 \text{ V}/\mu s, t_p = 100 \mu s$	Max.	150
V_{TM}	$I_{TM} = 160 \text{ A}, t_p = 380 \mu s$	Max.	1.55
V_{TO}	Threshold voltage	Max.	0.85
R_D	Dynamic resistance	Max.	5.5
I_{DRM}	$V_D = V_{DRM} = V_R = V_{RRM} = 800 \text{ V}$	Max.	20
I_{RRM}		Max.	2.5

Table 4: Thermal parameters

Symbol	Parameter		Value	Unit
$R_{th(j-c)}$	Junction to case (DC, max.)	D ³ PAK	0.25	°C/W
$R_{th(j-a)}$	Junction to ambient (DC, typ., $S_{cu} = 2.1 \text{ cm}^2$)		40	

1.1 Characteristics (curves)





2 Package information

In order to meet environmental requirements, ST offers these devices in different grades of ECOPACK® packages, depending on their level of environmental compliance. ECOPACK® specifications, grade definitions and product status are available at: www.st.com. ECOPACK® is an ST trademark.

- Epoxy meets UL 94,V0
- Lead-free package leads, halogen-free molding resin
- Pre-conditioning moisture sensitivity MSL 1

2.1 D³PAK package information

Figure 13: D³PAK package dimension definitions

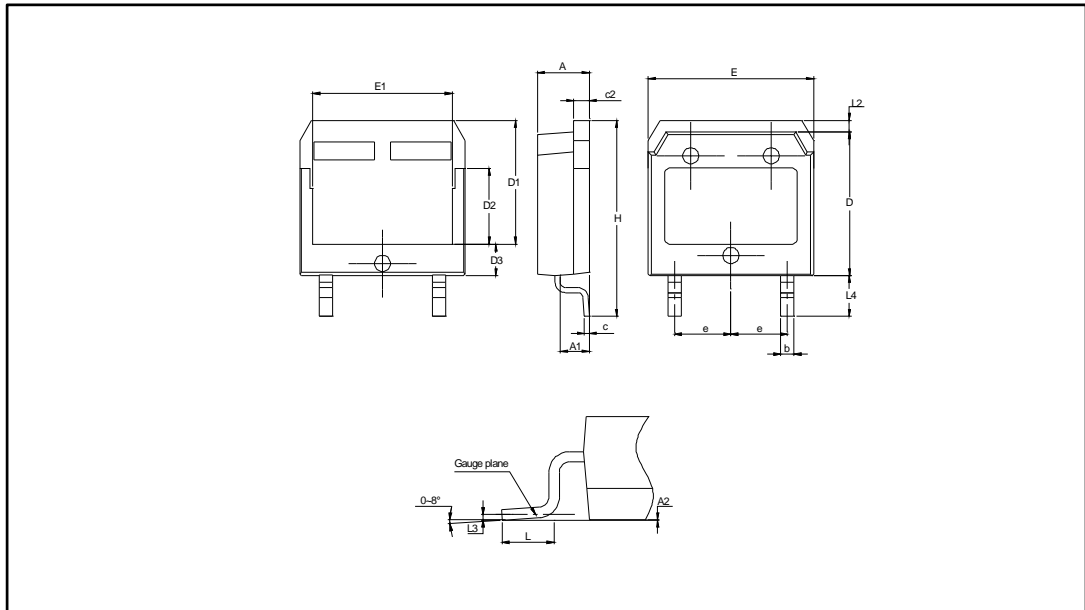


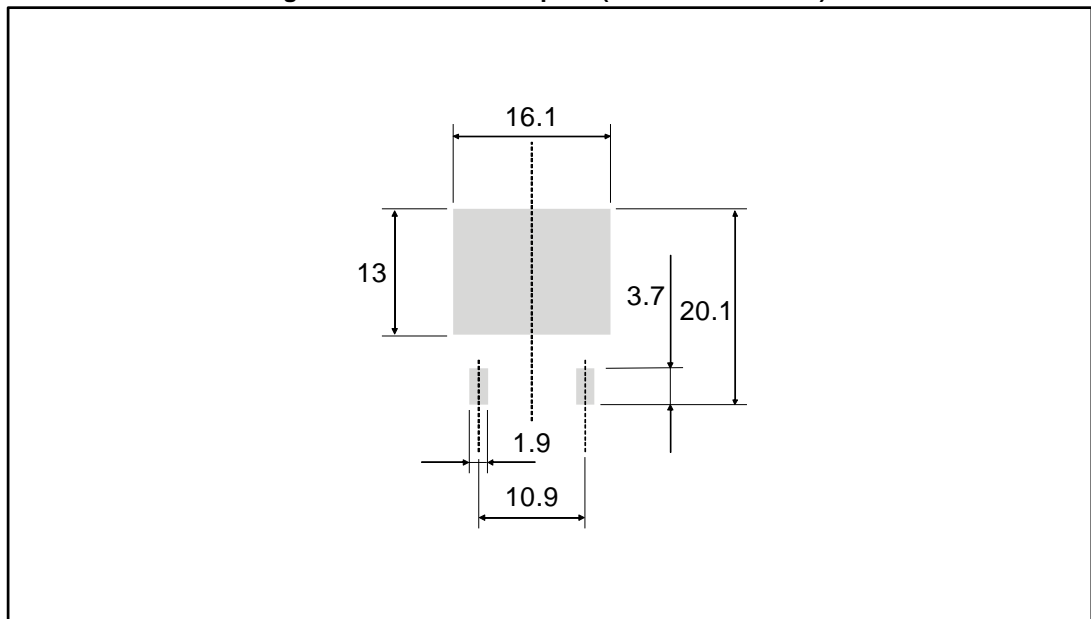
Table 5: D³PAK package mechanical data

Ref.	Dimensions					
	Millimeters			Inches ⁽¹⁾		
	Min.	Typ.	Max.	Min.	Typ.	Max.
A	4.90		5.10	0.1929		0.2008
A1	2.70		2.90	0.1063		0.1142
A2	0.02		0.25	0.0008		0.0098
b	1.15		1.45	0.0453		0.0571
c	0.40		0.65	0.0157		0.0256
c2	1.45		1.61	0.0571		0.0634
D	13.80		14.00	0.5433		0.5512
D1	11.80		12.10	0.4646		0.4764
D2	7.50		7.80	0.2953		0.3071
D3	2.90		3.20	0.1142		0.1260
E	15.85		16.05	0.6240		0.6319
E1	13.30		13.60	0.5236		0.5354
e		5.45			0.2146	
H	18.70		19.10	0.7362		0.7520
L	1.70		2.00	0.0669		0.0789
L2	1.00		1.15	0.0394		0.0453
L3		0.25			0.0098	
L4	3.80		4.10	0.1496		0.1614

Notes:

⁽¹⁾Dimension in inches are given for reference only.

Figure 14: Minimum footprint (dimensions in mm)



3 Ordering information

Figure 15: Ordering information scheme

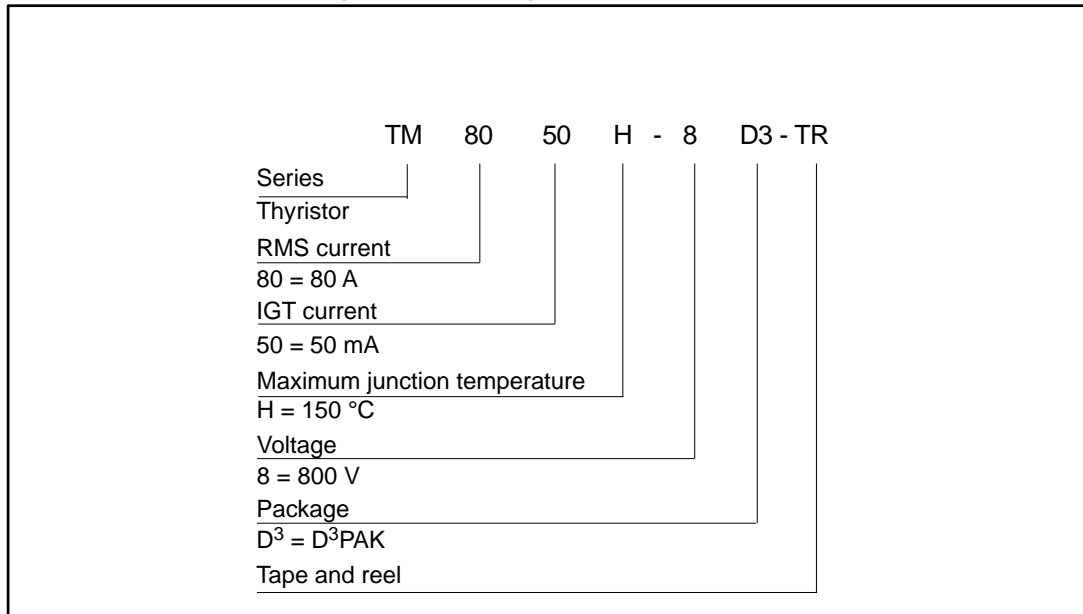


Table 6: Ordering information

Order code	Marking	Package	Weight	Base qty.	Delivery mode
TM8050H-8D3-TR	TM8050H8	D ³ PAK	4.2 g	400	Tape and reel

4 Revision history

Table 7: Document revision history

Date	Revision	Changes
11-Feb-2016	1	Initial release.
01-Apr-2016	2	Updated Table 3: "Electrical characteristics (T _j = 25 °C unless otherwise specified)".
29-Apr-2016	3	Updated Table 4: "Thermal parameters" .

IMPORTANT NOTICE – PLEASE READ CAREFULLY

STMicroelectronics NV and its subsidiaries ("ST") reserve the right to make changes, corrections, enhancements, modifications, and improvements to ST products and/or to this document at any time without notice. Purchasers should obtain the latest relevant information on ST products before placing orders. ST products are sold pursuant to ST's terms and conditions of sale in place at the time of order acknowledgement.

Purchasers are solely responsible for the choice, selection, and use of ST products and ST assumes no liability for application assistance or the design of Purchasers' products.

No license, express or implied, to any intellectual property right is granted by ST herein.

Resale of ST products with provisions different from the information set forth herein shall void any warranty granted by ST for such product.

ST and the ST logo are trademarks of ST. All other product or service names are the property of their respective owners.

Information in this document supersedes and replaces information previously supplied in any prior versions of this document.

© 2016 STMicroelectronics – All rights reserved

Mouser Electronics

Authorized Distributor

Click to View Pricing, Inventory, Delivery & Lifecycle Information:

[STMicroelectronics:](#)

[TM8050H-8D3-TR](#)