

# TLP5751

---

## 1. Applications

- Induction Cooktop and Home Appliances
- Industrial Inverters
- Air Conditioner Inverters
- MOSFET Gate Drivers
- IGBT Gate Drivers

## 2. General

The TLP5751 consists of a GaAs infrared light-emitting diode and integrated high-gain, high-speed photodetector and is housed in the 6-pin SO6L package.

The TLP5751 is 50 % smaller than the 8-pin DIP package and meets the reinforced insulation class requirements of international safety standards.

Therefore the mounting area can be reduced in equipment requiring the safety standard certification.

The TLP5751 has an internal Faraday shield that provides a guaranteed common-mode transient immunity of  $\pm 35$  kV/ $\mu$ s.

In particular, the TLP5751 has rail-to-rail output, and this enables stable operation and better switching performance in system.

## 3. Features

- (1) Buffer logic type (totem pole output)
- (2) Output peak current:  $\pm 1.0$  A (max)
- (3) Operating temperature:  $-40$  to  $110$  °C
- (4) Supply current: 3 mA (max)
- (5) Supply voltage: 15 to 30 V
- (6) Threshold input current: 4 mA (max)
- (7) Propagation delay time: 150 ns (max)
- (8) Common-mode transient immunity:  $\pm 35$  kV/ $\mu$ s (min)
- (9) Isolation voltage: 5000 Vrms (min)
- (10) Safety standards

UL-approved: UL1577, File No.E67349

cUL-approved: CSA Component Acceptance Service No.5A File No.E67349

VDE-approved: EN60747-5-5, EN60065, EN60950-1, EN 62368-1 (**Note 1**)

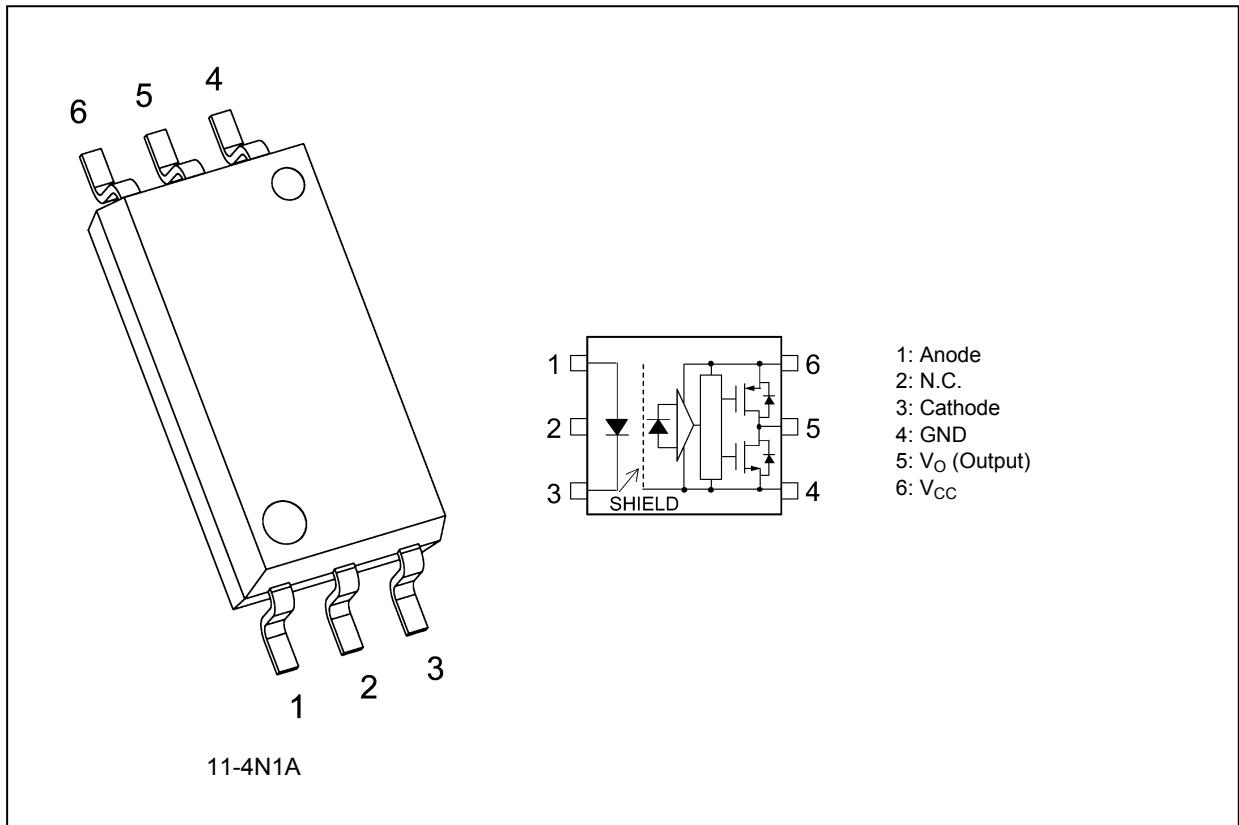
CQC-approved: GB4943.1, GB8898

Note 1: When a VDE approved type is needed, please designate the **Option (D4)**.

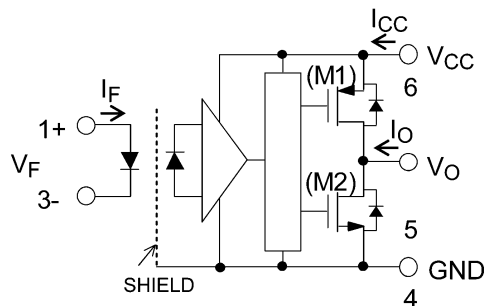
Start of commercial production

2014-06

**4. Packaging and Pin Configuration**



**5. Internal Circuit (Note)**



Note: A 1- $\mu$ F bypass capacitor must be connected between pin 6 and pin 4.

**6. Principle of Operation**

**6.1. Truth Table**

| Input | LED | M1  | M2  | Output |
|-------|-----|-----|-----|--------|
| H     | ON  | ON  | OFF | H      |
| L     | OFF | OFF | ON  | L      |

**6.2. Mechanical Parameters**

| Characteristics              | Size      | Unit |
|------------------------------|-----------|------|
| Height                       | 2.3 (max) | mm   |
| Creepage distances           | 8.0 (min) |      |
| Clearance distances          | 8.0 (min) |      |
| Internal isolation thickness | 0.4 (min) |      |

**7. Absolute Maximum Ratings (Note) (Unless otherwise specified, T<sub>a</sub> = 25 °C)**

|          | Characteristics  | Symbol                             | Note     | Rating     | Unit  |
|----------|--|------------------------------------|----------|------------|-------|
| LED      | Input forward current  | I <sub>F</sub>                     |          | 20         | mA    |
|          | Input forward current derating (T <sub>a</sub> ≥ 105 °C)               | ΔI <sub>F</sub> /ΔT <sub>a</sub>   |          | -1         | mA/°C |
|          | Peak transient input forward current                                   | I <sub>FPT</sub>                   | (Note 1) | 1          | A     |
|          | Peak transient input forward current derating (T <sub>a</sub> ≥ 85 °C) | ΔI <sub>FPT</sub> /ΔT <sub>a</sub> |          | -25        | mA/°C |
|          | Input reverse voltage  | V <sub>R</sub>                     |          | 5          | V     |
|          | Input power dissipation  | P <sub>D</sub>                     |          | 40         | mW    |
|          | Input power dissipation derating (T <sub>a</sub> ≥ 85 °C)              | ΔP <sub>D</sub> /ΔT <sub>a</sub>   |          | -1.0       | mW/°C |
| Detector | Peak high-level output current (T <sub>a</sub> = -40 to 110 °C)        | I <sub>OPH</sub>                   | (Note 2) | -1.0       | A     |
|          | Peak low-level output current (T <sub>a</sub> = -40 to 110 °C)         | I <sub>OPL</sub>                   | (Note 2) | +1.0       |       |
|          | Output voltage   | V <sub>O</sub>                     |          | 35         | V     |
|          | Supply voltage   | V <sub>CC</sub>                    |          | 35         |       |
|          | Output power dissipation   | P <sub>O</sub>                     |          | 450        | mW    |
|          | Output power dissipation derating (T <sub>a</sub> ≥ 85 °C)             | ΔP <sub>O</sub> /ΔT <sub>a</sub>   |          | -4.5       | mW/°C |
| Common   | Operating temperature  | T <sub>opr</sub>                   |          | -40 to 110 | °C    |
|          | Storage temperature  | T <sub>stg</sub>                   |          | -55 to 125 |       |
|          | Lead soldering temperature (10 s)                                      | T <sub>sol</sub>                   | (Note 3) | 260        |       |
|          | Isolation voltage AC, 60 s, R.H. ≤ 60 %                                | BV <sub>S</sub>                    | (Note 4) | 5000       |       |

Note: Using continuously under heavy loads (e.g. the application of high temperature/current/voltage and the significant change in temperature, etc.) may cause this product to decrease in the reliability significantly even if the operating conditions (i.e. operating temperature/current/voltage, etc.) are within the absolute maximum ratings. Please design the appropriate reliability upon reviewing the Toshiba Semiconductor Reliability Handbook ("Handling Precautions"/"Derating Concept and Methods") and individual reliability data (i.e. reliability test report and estimated failure rate, etc).

Note 1: Pulse width (PW) ≤ 1 μs, 300 pps

Note 2: Exponential waveform. Pulse width ≤ 2 μs, f ≤ 15 kHz

Note 3: ≥ 2 mm below seating plane.

Note 4: This device is considered as a two-terminal device: Pins 1, 2 and 3 are shorted together, and pins 4, 5 and 6 are shorted together.

**8. Recommended Operating Conditions (Note)**

| Characteristics                | Symbol              | Note     | Min | Typ. | Max  | Unit |
|--------------------------------|---------------------|----------|-----|------|------|------|
| Input on-state current         | I <sub>F(ON)</sub>  | (Note 1) | 10  | —    | 15   | mA   |
| Input off-state voltage        | V <sub>F(OFF)</sub> |          | 0   | —    | 0.8  | V    |
| Supply voltage                 | V <sub>CC</sub>     | (Note 2) | 15  | —    | 30   |      |
| Peak high-level output current | I <sub>OPH</sub>    |          | —   | —    | -1.0 | A    |
| Peak low-level output current  | I <sub>OPL</sub>    |          | —   | —    | +1.0 |      |
| Operating frequency            | f                   | (Note 3) | —   | —    | 50   | kHz  |

Note: The recommended operating conditions are given as a design guide necessary to obtain the intended performance of the device. Each parameter is an independent value. When creating a system design using this device, the electrical characteristics specified in this datasheet should also be considered.

Note: A ceramic capacitor (1 μF) should be connected between pin 6 (V<sub>CC</sub>) and pin 4 (GND) to stabilize the operation of a high-gain linear amplifier. Otherwise, this photocoupler may not switch properly. The bypass capacitor should be placed within 1 cm of each pin.

Note 1: The rise and fall times of the input on-current should be less than 0.5 μs.

Note 2: Denotes the operating range, not the recommended operating condition.

Note 3: Exponential waveform. I<sub>OPH</sub> ≥ -1.0 A (≤ 90 ns), I<sub>OPL</sub> ≤ 1.0 A (≤ 90 ns), T<sub>a</sub> = 110 °C

**9. Electrical Characteristics (Note) (Unless otherwise specified,  $T_a = -40$  to  $110$  °C)**

| Characteristics                               | Symbol                    | Note     | Test Circuit | Test Condition                                      | Min  | Typ. | Max  | Unit  |
|---|---------------------------|----------|--------------|---|------|------|------|-------|
| Input forward voltage                         | $V_F$                     |          |              | $I_F = 10$ mA, $T_a = 25$ °C                        | 1.45 | 1.55 | 1.70 | V     |
| Input forward voltage temperature coefficient | $\Delta V_F / \Delta T_a$ |          |              | $I_F = 10$ mA                                       | —    | -1.8 | —    | mV/°C |
| Input reverse current                         | $I_R$                     |          |              | $V_R = 5$ V, $T_a = 25$ °C                          | —    | —    | 10   | μA    |
| Input capacitance                             | $C_t$                     |          |              | $V = 0$ V, $f = 1$ MHz, $T_a = 25$ °C               | —    | 60   | —    | pF    |
| Peak high-level output current                | $I_{OPH}$                 | (Note 1) | Fig. 12.1.1  | $I_F = 5$ mA, $V_{CC} = 30$ V, $V_{6-5} = -3.5$ V   | —    | —    | -0.5 | A     |
|   |                           |          |              | $I_F = 5$ mA, $V_{CC} = 15$ V, $V_{6-5} = -7$ V     | —    | —    | -1.0 |       |
| Peak low-level output current                 | $I_{OPL}$                 | (Note 1) | Fig. 12.1.2  | $I_F = 0$ mA, $V_{CC} = 30$ V, $V_{5-4} = 2.5$ V    | 0.5  | —    | —    | A     |
|   |                           |          |              | $I_F = 0$ mA, $V_{CC} = 15$ V, $V_{5-4} = 7$ V      | 1.0  | —    | —    |       |
| High-level output voltage                     | $V_{OH}$                  |          | Fig. 12.1.3  | $I_F = 4$ mA, $V_{CC} = 15$ V, $I_O = -100$ mA      | 14.7 | 14.9 | —    | V     |
| Low-level output voltage                      | $V_{OL}$                  |          | Fig. 12.1.4  | $V_F = 0.8$ V, $V_{CC} = 15$ V, $I_O = 100$ mA      | —    | 0.07 | 0.2  | V     |
| High-level supply current                     | $I_{CCH}$                 |          | Fig. 12.1.5  | $I_F = 10$ mA, $V_{CC} = 30$ V, $V_O = \text{Open}$ | —    | 1.8  | 3.0  | mA    |
| Low-level supply current                      | $I_{CCL}$                 |          | Fig. 12.1.6  | $I_F = 0$ mA, $V_{CC} = 30$ V, $V_O = \text{Open}$  | —    | 1.7  | 3.0  |       |
| Threshold input current (L/H)                 | $I_{FLH}$                 |          |              | $V_{CC} = 15$ V, $V_O > 1$ V                        | —    | 1.4  | 4    | V     |
| Threshold input voltage (H/L)                 | $V_{FHL}$                 |          |              | $V_{CC} = 15$ V, $V_O < 1$ V                        | 0.8  | —    | —    |       |
| Supply voltage                                | $V_{CC}$                  |          |              | —   | 15   | —    | 30   |       |
| UVLO threshold voltage                        | $V_{UVLO+}$               |          |              | $I_F = 5$ mA, $V_O > 2.5$ V                         | 12.1 | 12.7 | 13.5 |       |
|   | $V_{UVLO-}$               |          |              | $I_F = 5$ mA, $V_O < 2.5$ V                         | 11.1 | 11.7 | 12.4 |       |
| UVLO hysteresis                               | $UVLO_{HYS}$              |          |              | —   | —    | 1.0  | —    |       |

Note: All typical values are at  $T_a = 25$  °C.

Note: This device is designed for low power consumption, making it more sensitive to ESD than its predecessors. Extra care should be taken in the design of circuitry and pc board implementation to avoid ESD problems.

Note 1:  $I_O$  application time  $\leq 50$  μs; single pulse.

**10. Isolation Characteristics (Unless otherwise specified,  $T_a = 25$  °C)**

| Characteristics                     | Symbol | Note     | Test Conditions                 | Min                | Typ.      | Max | Unit |
|-------------------------------------|--------|----------|---------------------------------|--------------------|-----------|-----|------|
| Total capacitance (input to output) | $C_S$  | (Note 1) | $V_S = 0$ V, $f = 1$ MHz        | —                  | 1.0       | —   | pF   |
| Isolation resistance                | $R_S$  | (Note 1) | $V_S = 500$ V, R.H. $\leq 60$ % | $1 \times 10^{12}$ | $10^{14}$ | —   | Ω    |
| Isolation voltage                   | $BV_S$ | (Note 1) | AC, 60 s                        | 5000               | —         | —   | Vrms |
|                                     |        |          | AC, 1 s in oil                  | —                  | 10000     | —   |      |
|                                     |        |          | DC, 60 s in oil                 | —                  | 10000     | —   | Vdc  |

Note 1: This device is considered as a two-terminal device: Pins 1, 2 and 3 are shorted together, and pins 4, 5 and 6 are shorted together.

**11. Switching Characteristics (Note) (Unless otherwise specified,  $T_a = -40$  to  $110$  °C)**

| Characteristics                               | Symbol                | Note     | Test Circuit | Test Condition  | Min      | Typ.     | Max | Unit        |
|---|-----------------------|----------|--------------|---|----------|----------|-----|-------------|
| Propagation delay time (L/H)                  | $t_{pLH}$             | (Note 1) | Fig. 12.1.7  | $I_F = 0 \rightarrow 10$ mA, $V_{CC} = 30$ V, $R_g = 10$ $\Omega$ , $C_g = 25$ nF             | 50       | —        | 150 | ns          |
| Propagation delay time (H/L)                  | $t_{pHL}$             | (Note 1) |              | $I_F = 10 \rightarrow 0$ mA, $V_{CC} = 30$ V, $R_g = 10$ $\Omega$ , $C_g = 25$ nF             | 50       | —        | 150 |             |
| Rise time                                     | $t_r$                 | (Note 1) |              | $I_F = 0 \rightarrow 10$ mA, $V_{CC} = 30$ V, $R_g = 10$ $\Omega$ , $C_g = 25$ nF             | —        | 15       | —   |             |
| Fall time                                     | $t_f$                 | (Note 1) |              | $I_F = 10 \rightarrow 0$ mA, $V_{CC} = 30$ V, $R_g = 10$ $\Omega$ , $C_g = 25$ nF             | —        | 8        | —   |             |
| Pulse width distortion                        | $ t_{pHL} - t_{pLH} $ | (Note 1) |              | $I_F = 0 \leftrightarrow 10$ mA, $V_{CC} = 30$ V, $R_g = 10$ $\Omega$ , $C_g = 25$ nF         | —        | —        | 50  |             |
| Propagation delay skew (device to device)     | $t_{psk}$             | (Note 1) |              |   | -80      | —        | 80  |             |
| Common-mode transient immunity at output high | $CM_H$                | (Note 2) | Fig. 12.1.8  | $V_{CM} = 1000$ $V_{p-p}$ , $I_F = 5$ mA, $V_{CC} = 30$ V, $T_a = 25$ °C, $V_{O(min)} = 26$ V | $\pm 35$ | $\pm 40$ | —   | kV/ $\mu$ s |
| Common-mode transient immunity at output low  | $CM_L$                | (Note 3) |              | $V_{CM} = 1000$ $V_{p-p}$ , $I_F = 0$ mA, $V_{CC} = 30$ V, $T_a = 25$ °C, $V_{O(max)} = 1$ V  | $\pm 35$ | $\pm 40$ | —   |             |

Note: All typical values are at  $T_a = 25$  °C.

Note 1: Input signal ( $f = 25$  kHz, duty = 50 %,  $t_r = t_f = 5$  ns or less).

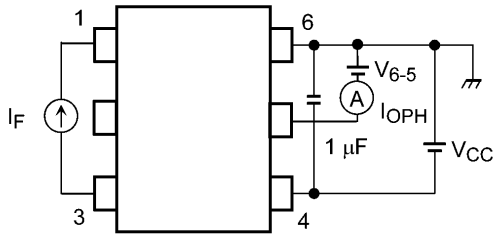
$C_L$  is approximately 15 pF which includes probe and stray wiring capacitance.

Note 2:  $CM_H$  is the maximum rate of rise of the common mode voltage that can be sustained with the output voltage in the logic high state ( $V_O > 26$  V).

Note 3:  $CM_L$  is the maximum rate of fall of the common mode voltage that can be sustained with the output voltage in the logic low state ( $V_O < 1$  V).

**12. Test Circuits and Characteristics Curves**

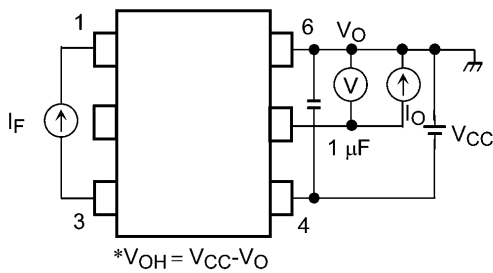
**12.1. Test Circuits**



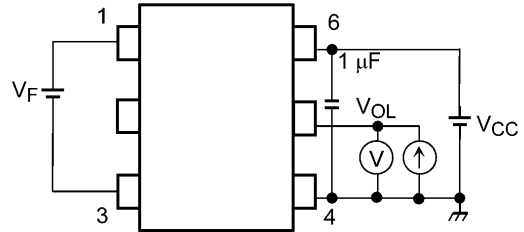
**Fig. 12.1.1 I<sub>OPH</sub> Test Circuit**



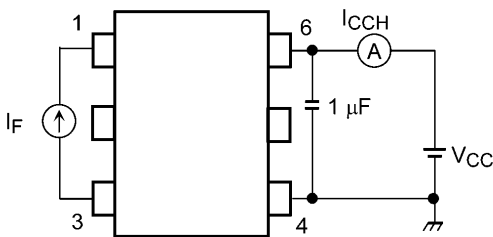
**Fig. 12.1.2 I<sub>OPL</sub> Test Circuit**



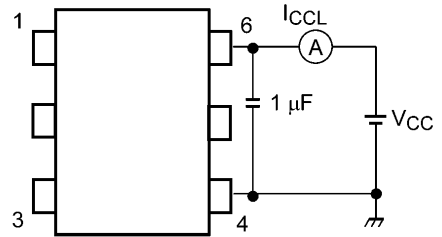
**Fig. 12.1.3 V<sub>OH</sub> Test Circuit**



**Fig. 12.1.4 V<sub>OL</sub> Test Circuit**



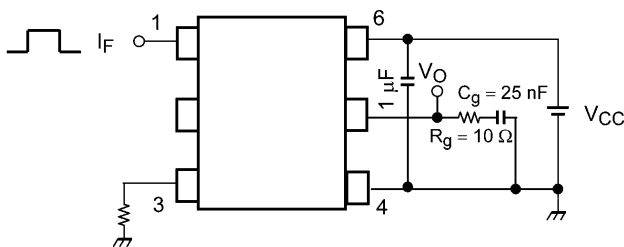
**Fig. 12.1.5 I<sub>CCH</sub> Test Circuit**



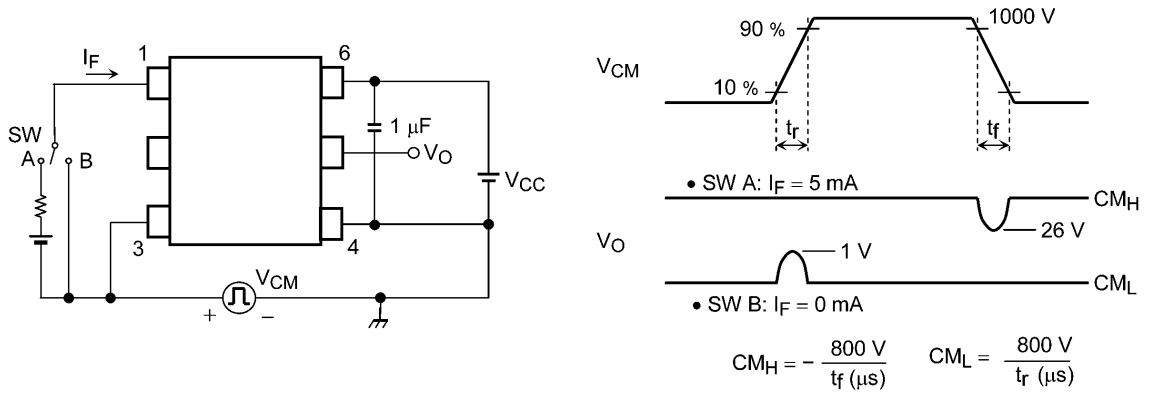
**Fig. 12.1.6 I<sub>CCL</sub> Test Circuit**

$I_F = 10 \text{ mA (P.G.)}$

$(f = 25 \text{ kHz, duty} = 50 \%, t_r = t_f = 5 \text{ ns or less})$

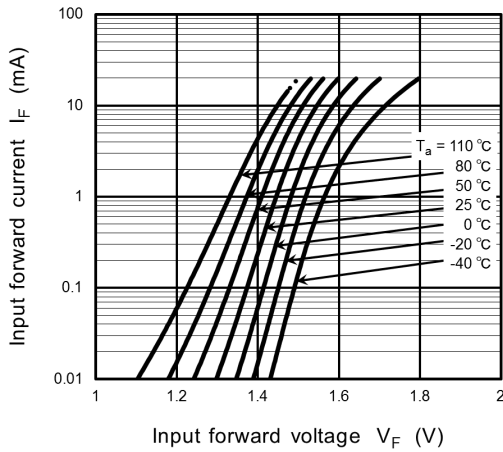


**Fig. 12.1.7 Switching Time Test Circuit and Waveform**

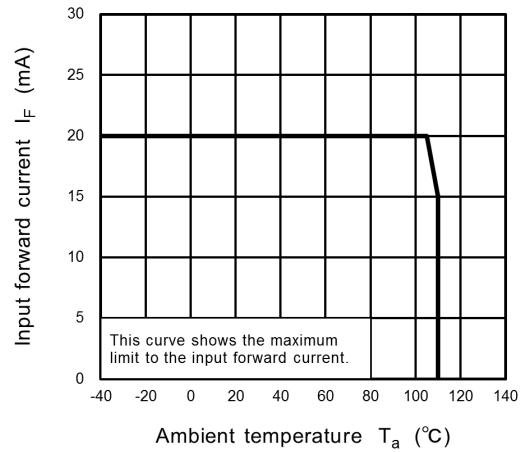


**Fig. 12.1.8 Common-Mode Transient Immunity Test Circuit and Waveform**

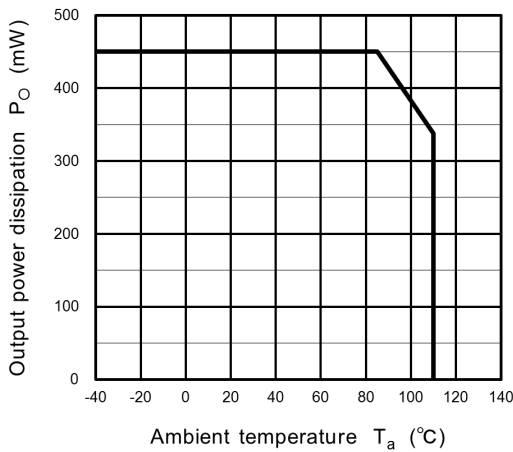
**12.2. Characteristics Curves (Note)**



**Fig. 12.2.1  $I_F - V_F$**



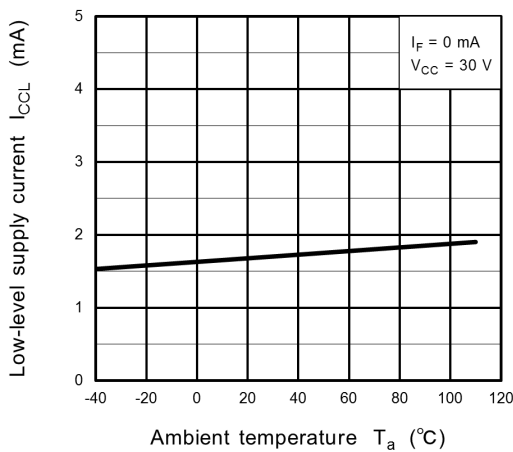
**Fig. 12.2.2  $I_F - T_a$**



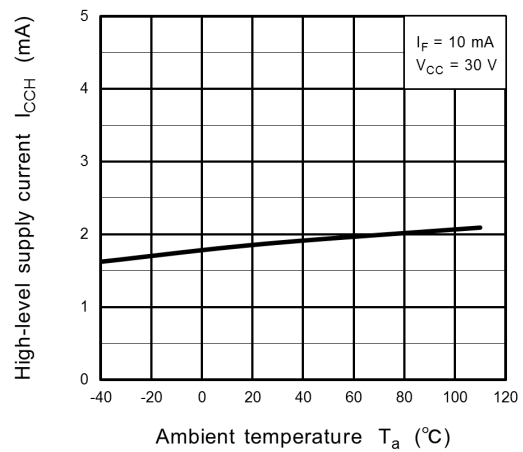
**Fig. 12.2.3  $P_O - T_a$**



**Fig. 12.2.4  $I_{FLH} - T_a$**



**Fig. 12.2.5  $I_{CCL} - T_a$**



**Fig. 12.2.6  $I_{CCH} - T_a$**





Fig. 12.2.7  $V_{OL} - T_a$

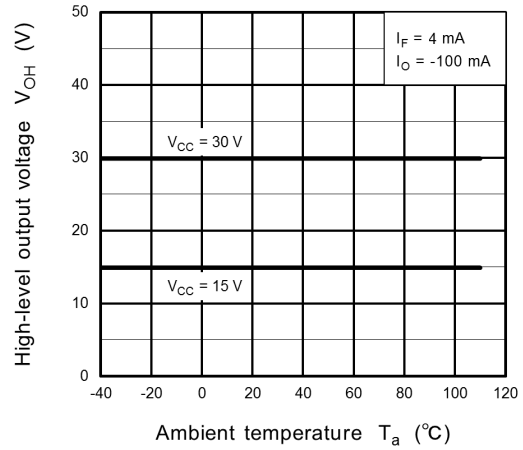


Fig. 12.2.8  $V_{OH} - T_a$

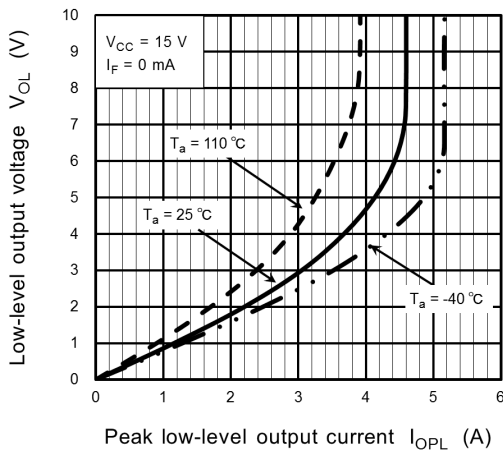


Fig. 12.2.9  $V_{OL} - I_{OPL}$

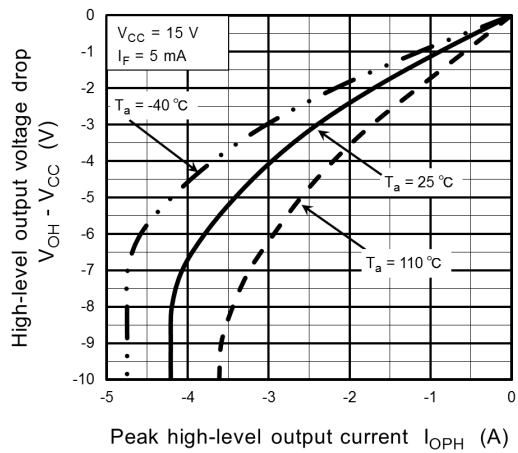


Fig. 12.2.10  $(V_{OH} - V_{CC}) - I_{OPH}$

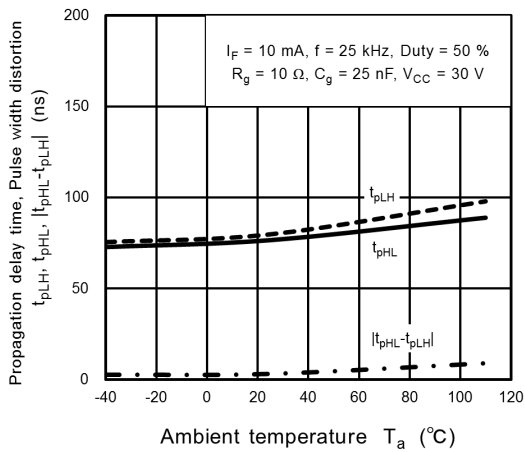


Fig. 12.2.11  $t_{pLH}, t_{pHL}, |t_{pHL} - t_{pLH}| - T_a$

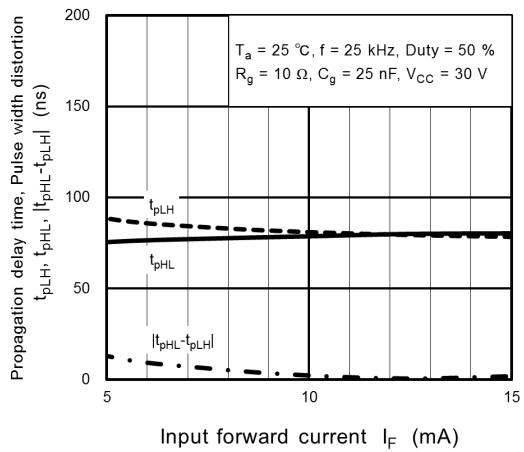
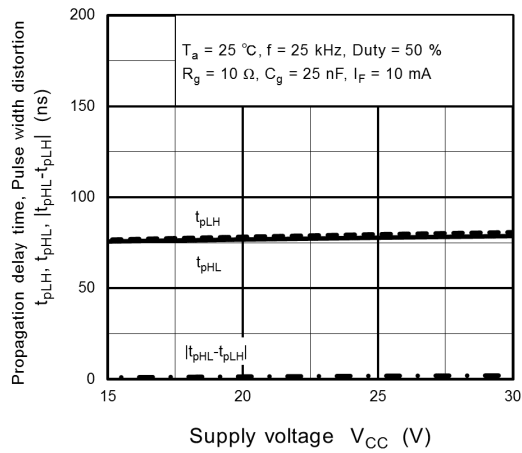


Fig. 12.2.12  $t_{pLH}, t_{pHL}, |t_{pHL} - t_{pLH}| - I_F$



**Fig. 12.2.13**  $t_{pLH}, t_{pHL}, |t_{pHL} - t_{pLH}| - V_{CC}$

Note: The above characteristics curves are presented for reference only and not guaranteed by production test, unless otherwise noted.

### 13. Soldering and Storage

#### 13.1. Precautions for Soldering

The soldering temperature should be controlled as closely as possible to the conditions shown below, irrespective of whether a soldering iron or a reflow soldering method is used.

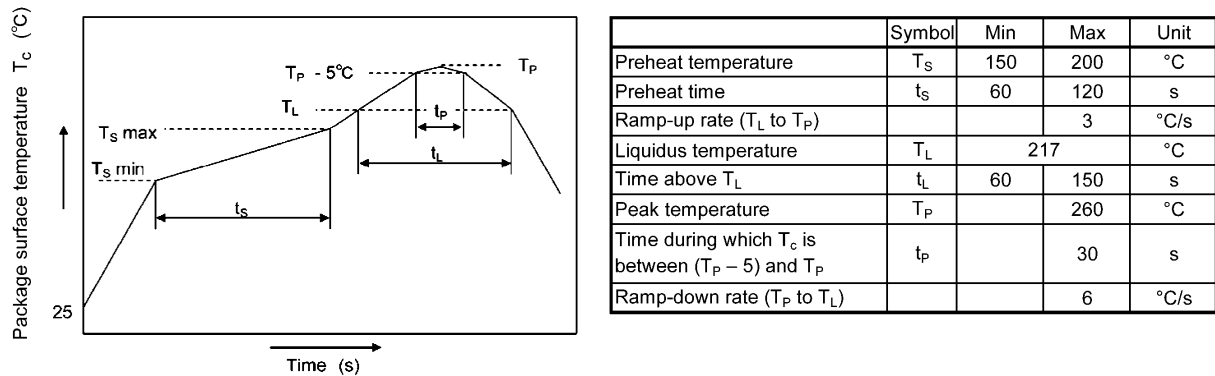
- When using soldering reflow.

The soldering temperature profile is based on the package surface temperature.

(See the figure shown below, which is based on the package surface temperature.)

Reflow soldering must be performed once or twice.

The mounting should be completed with the interval from the first to the last mountings being 2 weeks.



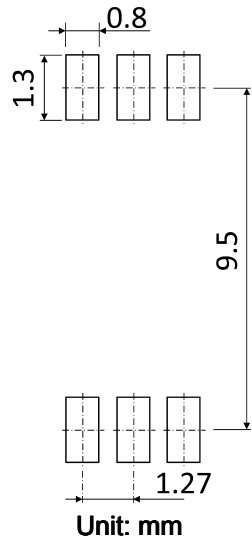
**Fig. 13.1.1 An example of a temperature profile when lead(Pb)-free solder is used**

- When using soldering flow  
Preheat the device at a temperature of 150 °C (package surface temperature) for 60 to 120 seconds.  
Mounting condition of 260 °C within 10 seconds is recommended.  
Flow soldering must be performed once.
- When using soldering Iron  
Complete soldering within 10 seconds for lead temperature not exceeding 260 °C or within 3 seconds not exceeding 350 °C  
Heating by soldering iron must be done only once per lead.

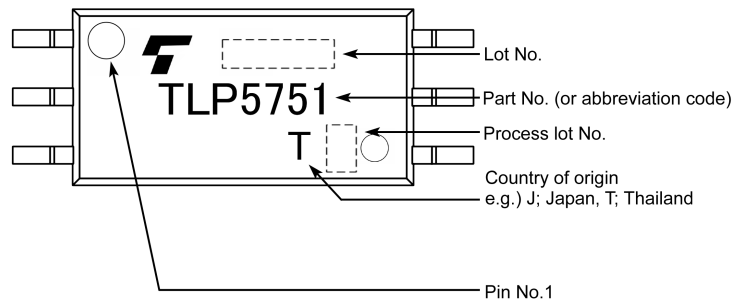
#### 13.2. Precautions for General Storage

- Avoid storage locations where devices may be exposed to moisture or direct sunlight.
- Follow the precautions printed on the packing label of the device for transportation and storage.
- Keep the storage location temperature and humidity within a range of 5 °C to 35 °C and 45 % to 75 %, respectively.
- Do not store the products in locations with poisonous gases (especially corrosive gases) or in dusty conditions.
- Store the products in locations with minimal temperature fluctuations. Rapid temperature changes during storage can cause condensation, resulting in lead oxidation or corrosion, which will deteriorate the solderability of the leads.
- When restoring devices after removal from their packing, use anti-static containers.
- Do not allow loads to be applied directly to devices while they are in storage.
- If devices have been stored for more than two years under normal storage conditions, it is recommended that you check the leads for ease of soldering prior to use.

**14. Land Pattern Dimensions (for reference only)**



**15. Marking**



**16. EN60747-5-5 Option (D4) Specification**

- Part number: TLP5751 (**Note 1**)
- The following part naming conventions are used for the devices that have been qualified according to option (D4) of EN60747.

Example: TLP5751(D4-TP,E(O

D4: EN60747 option

TP: Tape type

E: [[G]]/RoHS COMPATIBLE (**Note 2**)

O: Domestic ID (Country / Region of origin: Japan)

Note 1: Use TOSHIBA standard type number for safety standard application.

e.g., TLP5751(D4-TP,E(O → TLP5751

Note 2: Please contact your Toshiba sales representative for details on environmental information such as the product's RoHS compatibility.

RoHS is the Directive 2011/65/EU of the European Parliament and of the Council of 8 June 2011 on the restriction of the use of certain hazardous substances in electrical and electronics equipment.

| Description   | Symbol   | Rating  | Unit              |
|---|--|---|-------------------|
| Application classification<br><br>for rated mains voltage ≤ 600 Vrms<br>for rated mains voltage ≤ 1000 Vrms   |  | I-IV<br>I-III   | —                 |
| Climatic classification   |  | 55 / 125 / 21   | —                 |
| Pollution degree  |  | 2   | —                 |
| Maximum operating insulation voltage  | V <sub>IORM</sub>                                    | 1230  | V <sub>peak</sub> |
| Input to output test voltage, Method A<br>V <sub>pr</sub> = 1.6 × V <sub>IORM</sub> , type and sample test<br>t <sub>p</sub> = 10 s, partial discharge < 5 pC   | V <sub>pr</sub>                                      | 1970  | V <sub>peak</sub> |
| Input to output test voltage, Method B<br>V <sub>pr</sub> = 1.875 × V <sub>IORM</sub> , 100 % production test<br>t <sub>p</sub> = 1 s, partial discharge < 5 pC   | V <sub>pr</sub>                                      | 2310  | V <sub>peak</sub> |
| Highest permissible overvoltage<br>(transient overvoltage, t <sub>pr</sub> = 60 s)  | V <sub>TR</sub>                                      | 8000  | V <sub>peak</sub> |
| Safety limiting values (max. permissible ratings in case of fault,<br>also refer to thermal derating curve)<br><br>current (input current I <sub>F</sub> , P <sub>SO</sub> = 0)<br>power (output or total power dissipation)<br>temperature | I <sub>si</sub><br>P <sub>SO</sub><br>T <sub>s</sub> | 250<br>400<br>150   | mA<br>mW<br>°C    |
| Insulation resistance<br><br>V <sub>IO</sub> = 500 V, T <sub>a</sub> = 25 °C<br>V <sub>IO</sub> = 500 V, T <sub>a</sub> = 100 °C<br>V <sub>IO</sub> = 500 V, T <sub>a</sub> = T <sub>s</sub>  | R <sub>si</sub>                                      | ≥ 10 <sup>12</sup><br>≥ 10 <sup>11</sup><br>≥ 10 <sup>9</sup> | Ω                 |

**Fig. 16.1 EN60747 Insulation Characteristics**

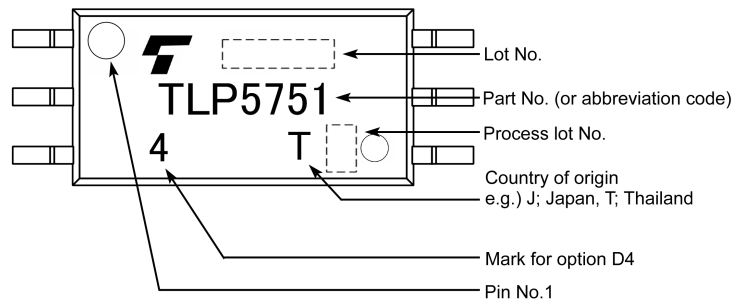
|                              |     |        |
|------------------------------|-----|--------|
| Minimum creepage distance    | Cr  | 8.0 mm |
| Minimum clearance            | Cl  | 8.0 mm |
| Minimum insulation thickness | ti  | 0.4 mm |
| Comparative tracking index   | CTI | 175    |

**Fig. 16.2 Insulation Related Specifications (Note)**

Note: This photocoupler is suitable for safe electrical isolation only within the safety limit data. Maintenance of the safety data shall be ensured by means of protective circuits.

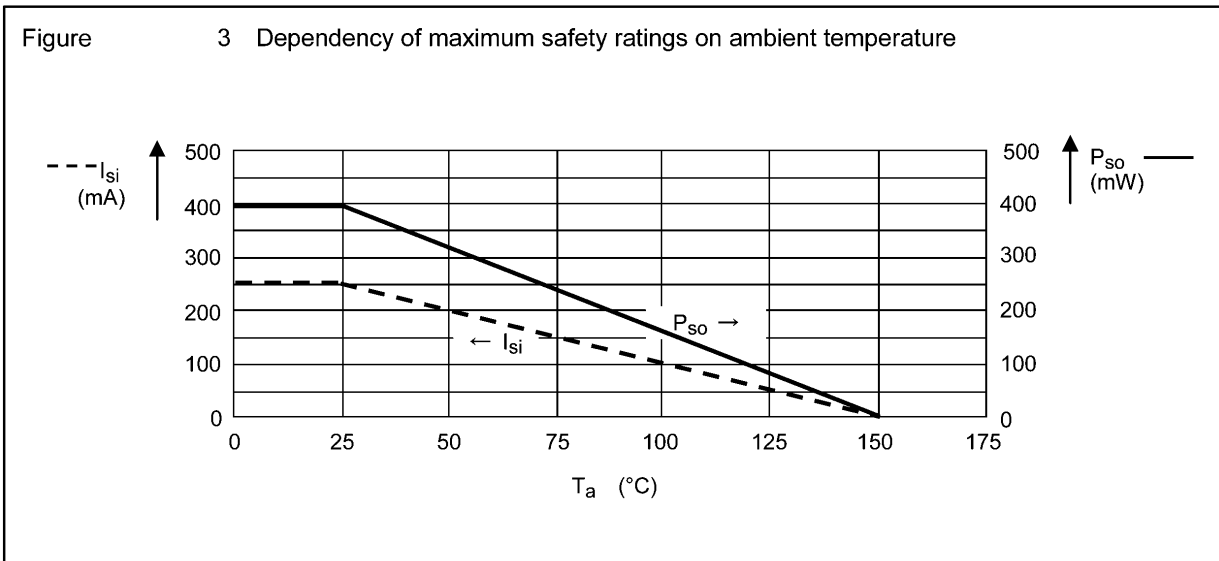
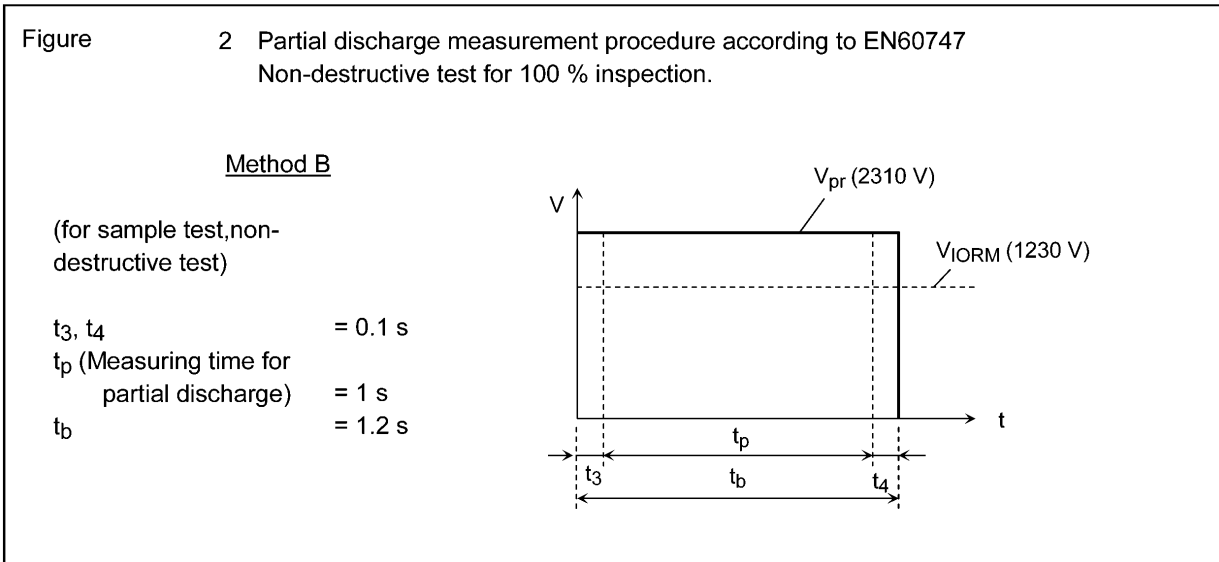
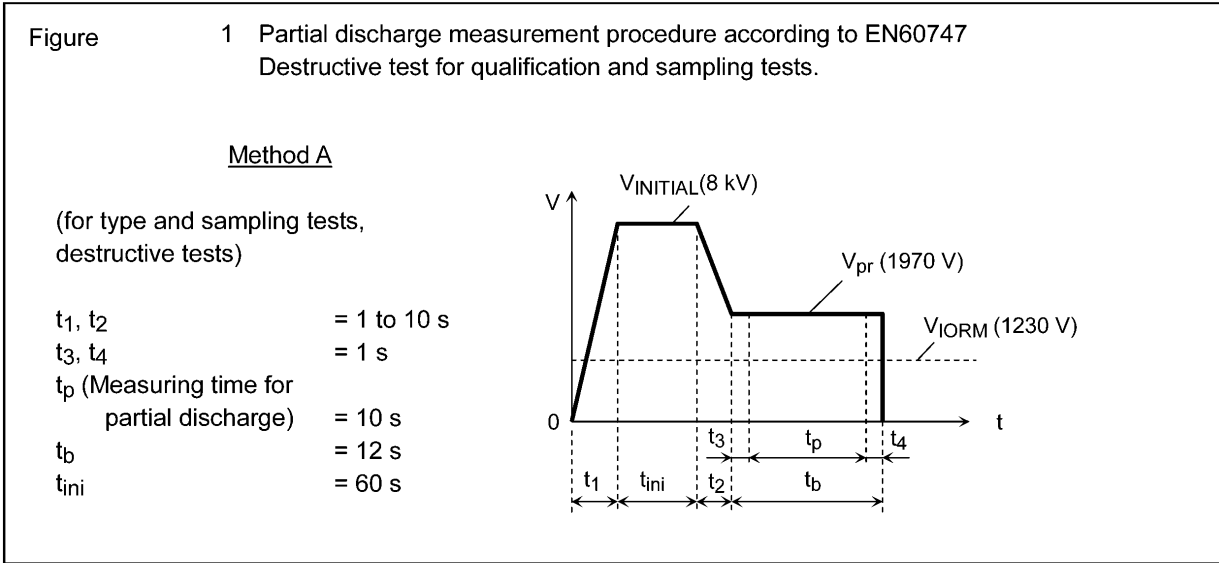


**Fig. 16.3 Marking on Packing for EN60747**



**Fig. 16.4 Marking Example (Note)**

Note: The above marking is applied to the photocouplers that have been qualified according to option (D4) of EN60747.



**Fig. 16.5 Measurement Procedure**

## 17. Embossed-Tape Packing (TP) Specification for Mini-Flat Photocouplers

### 17.1. Applicable Package

| Package Name | Product Type                    |
|--------------|---------------------------------|
| SO6L         | Long creepage mini flat coupler |

### 17.2. Product Naming Conventions

Type of package used for shipment is denoted by a symbol suffix after a part number. The method of classification is as below.

Example) TLP5751(TP,E(O)

Part number: TLP5751

Tape type: TP (12 mm pitch)

[[G]]/RoHS COMPATIBLE: E (**Note1**)

Domestic ID (Country / Region of origin: Japan): (O)

Note 1: Please contact your Toshiba sales representative for details on environmental information such as the product's RoHS compatibility.

RoHS is the Directive 2011/65/EU of the European Parliament and of the Council of 8 June 2011 on the restriction of the use of certain hazardous substances in electrical and electronics equipment.

### 17.3. Tape Dimensions Specification

| Tape Type | Division | Packing Amount (A unit per reel) |
|-----------|----------|----------------------------------|
| TP        | —        | 1500                             |

#### 17.3.1. Orientation of Device in Relation to Direction of Feed

Device orientation in the carrier cavities as shown in Fig. 17.3.1.1.

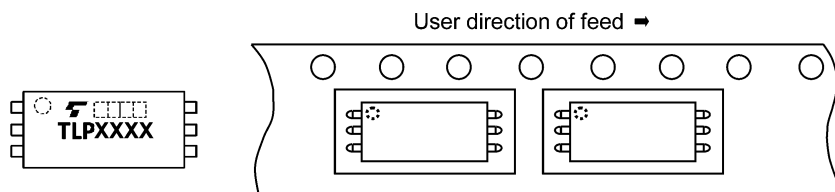


Fig. 17.3.1.1 Device Orientation

#### 17.3.2. Empty Cavities

| Characteristics                                    | Criterion                | Remarks  |
|--|--------------------------|--|
| Occurrences of 2 or more successive empty cavities | 0                        | Within any given 40-mm section of tape, not including leader and trailer |
| Single empty cavity                                | 6 devices (max) per reel | Not including leader and trailer   |

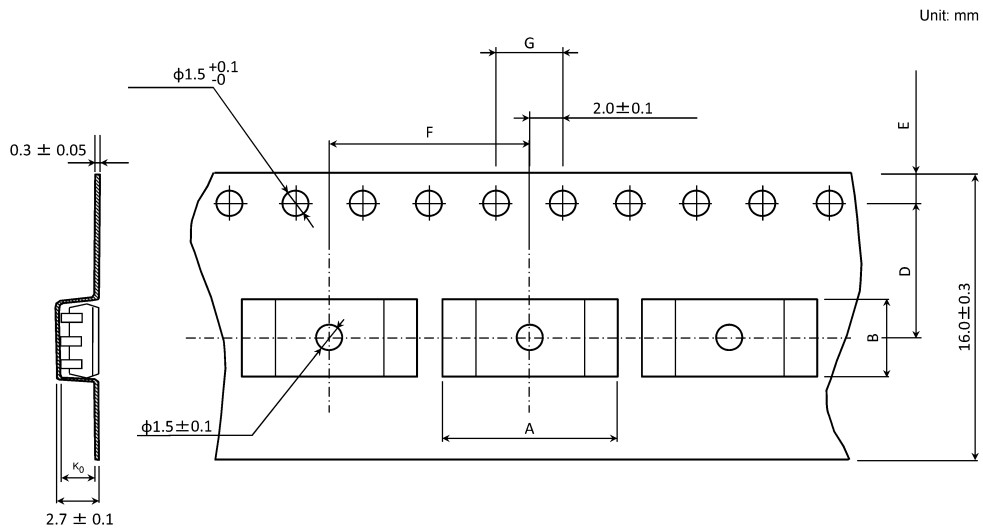
#### 17.3.3. Tape Leader and Trailer

The start of the tape has 14 or more empty holes. The end of the tape has 34 or more empty holes and more than 30 mm only for a cover tape.



**17.3.4. Tape Dimensions**

Tape material: Plastic (for protection against static electricity)

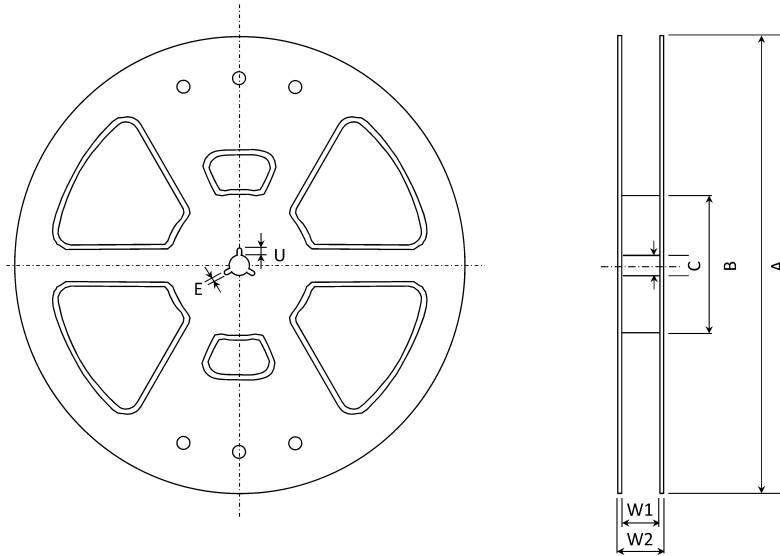


**Table Tape Dimensions (unit: mm, tolerance: ± 0.1)**

| Symbol         | Dimension | Remark   |
|----------------|-----------|--|
| A              | 10.4      | —  |
| B              | 4.24      | —  |
| D              | 7.5       | Center line of embossed cavity and sprocket hole             |
| E              | 1.75      | Distance between tape edge and sprocket hole center          |
| F              | 12.0      | Cumulative error +0.1/-0.3 (max) per 10 empty cavities holes |
| G              | 4.0       | Cumulative error +0.1/-0.3 (max) per 10 sprocket holes       |
| K <sub>0</sub> | 2.4       | Internal space   |

**17.3.5. Reel Specification**

Material: Plastic

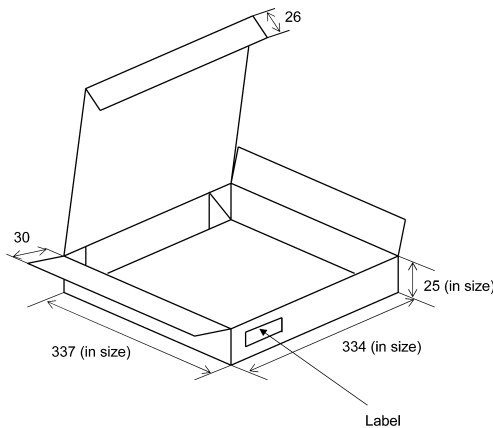


**Table Reel Dimensions (unit: mm)**

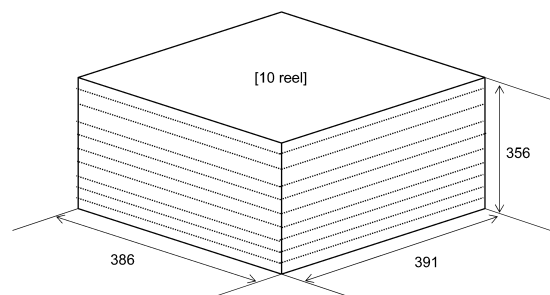
| Symbol | Dimension         |
|--------|-------------------|
| A      | $\phi 330 \pm 2$  |
| B      | $\phi 100 \pm 1$  |
| C      | $\phi 13 \pm 0.5$ |
| E      | $2.0 \pm 0.5$     |
| U      | $4.0 \pm 0.5$     |
| W1     | $17.4 \pm 1.0$    |
| W2     | $21.4 \pm 1.0$    |

**17.4. Packing (Note)**

Either one reel or ten reels of photocouplers are packed in a shipping carton.



**Fig. 17.4.1 1 reel/carton (unit: mm)**



**Fig. 17.4.2 10 reel/carton (unit: mm)**

Note: Taping reel diameter:  $\phi 330$  mm

**17.5. Label Format**

- (1) Carton: The label provides the part number, quantity, lot number, the Toshiba logo, etc.
- (2) Reel: The label provides the part number, the taping name, quantity, lot number, etc.

## 17.6. Ordering Information

When placing an order, please specify the part number, the tape type and quantity (Multiples of 1500) as shown in the following example.

Example) TLP5751(TP,E 1500 pcs

Part number: TLP5751

Tape type: TP (12 mm pitch)

[[G]]/RoHS COMPATIBLE: E (**Note1**)

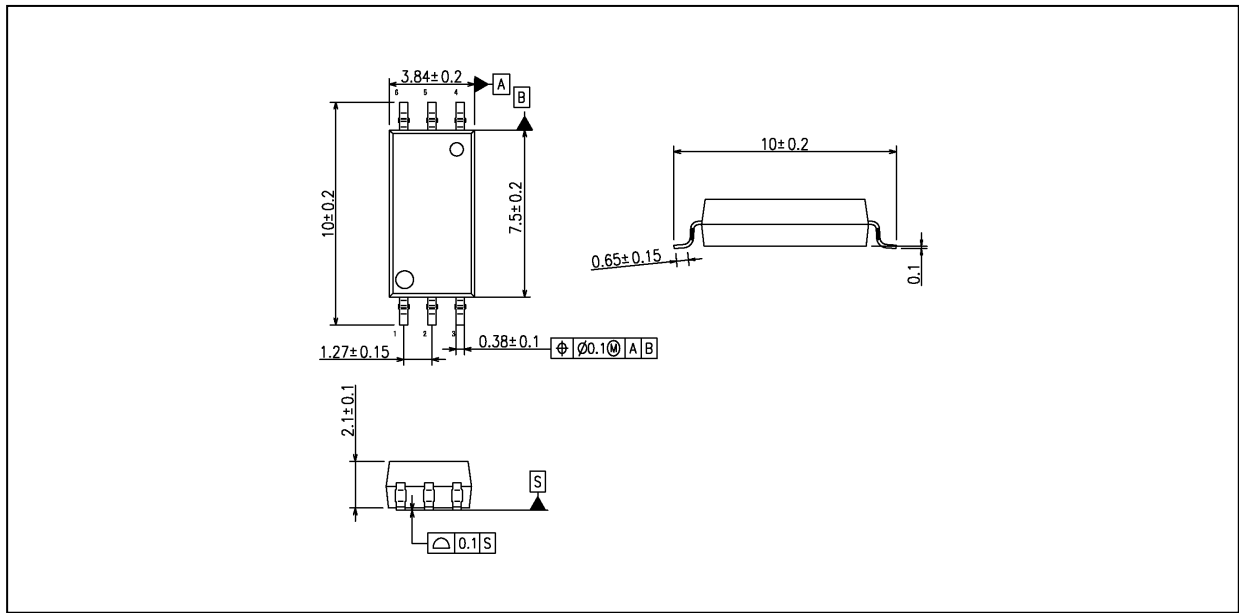
Quantity (must be a multiple of 1500 pcs)

Note 1: Please contact your Toshiba sales representative for details on environmental information such as the product's RoHS compatibility.

RoHS is the Directive 2011/65/EU of the European Parliament and of the Council of 8 June 2011 on the restriction of the use of certain hazardous substances in electrical and electronics equipment.

**Package Dimensions**

Unit: mm



Weight: 0.126 g (typ.)

| Package Name(s)  |
|------------------|
| TOSHIBA: 11-4N1A |

## RESTRICTIONS ON PRODUCT USE

- Toshiba Corporation, and its subsidiaries and affiliates (collectively "TOSHIBA"), reserve the right to make changes to the information in this document, and related hardware, software and systems (collectively "Product") without notice.
- This document and any information herein may not be reproduced without prior written permission from TOSHIBA. Even with TOSHIBA's written permission, reproduction is permissible only if reproduction is without alteration/omission.
- Though TOSHIBA works continually to improve Product's quality and reliability, Product can malfunction or fail. Customers are responsible for complying with safety standards and for providing adequate designs and safeguards for their hardware, software and systems which minimize risk and avoid situations in which a malfunction or failure of Product could cause loss of human life, bodily injury or damage to property, including data loss or corruption. Before customers use the Product, create designs including the Product, or incorporate the Product into their own applications, customers must also refer to and comply with (a) the latest versions of all relevant TOSHIBA information, including without limitation, this document, the specifications, the data sheets and application notes for Product and the precautions and conditions set forth in the "TOSHIBA Semiconductor Reliability Handbook" and (b) the instructions for the application with which the Product will be used with or for. Customers are solely responsible for all aspects of their own product design or applications, including but not limited to (a) determining the appropriateness of the use of this Product in such design or applications; (b) evaluating and determining the applicability of any information contained in this document, or in charts, diagrams, programs, algorithms, sample application circuits, or any other referenced documents; and (c) validating all operating parameters for such designs and applications. **TOSHIBA ASSUMES NO LIABILITY FOR CUSTOMERS' PRODUCT DESIGN OR APPLICATIONS.**
- **PRODUCT IS NEITHER INTENDED NOR WARRANTED FOR USE IN EQUIPMENTS OR SYSTEMS THAT REQUIRE EXTRAORDINARILY HIGH LEVELS OF QUALITY AND/OR RELIABILITY, AND/OR A MALFUNCTION OR FAILURE OF WHICH MAY CAUSE LOSS OF HUMAN LIFE, BODILY INJURY, SERIOUS PROPERTY DAMAGE AND/OR SERIOUS PUBLIC IMPACT ("UNINTENDED USE").** Except for specific applications as expressly stated in this document, Unintended Use includes, without limitation, equipment used in nuclear facilities, equipment used in the aerospace industry, medical equipment, equipment used for automobiles, trains, ships and other transportation, traffic signaling equipment, equipment used to control combustions or explosions, safety devices, elevators and escalators, devices related to electric power, and equipment used in finance-related fields. **IF YOU USE PRODUCT FOR UNINTENDED USE, TOSHIBA ASSUMES NO LIABILITY FOR PRODUCT.** For details, please contact your TOSHIBA sales representative.
- Do not disassemble, analyze, reverse-engineer, alter, modify, translate or copy Product, whether in whole or in part.
- Product shall not be used for or incorporated into any products or systems whose manufacture, use, or sale is prohibited under any applicable laws or regulations.
- The information contained herein is presented only as guidance for Product use. No responsibility is assumed by TOSHIBA for any infringement of patents or any other intellectual property rights of third parties that may result from the use of Product. No license to any intellectual property right is granted by this document, whether express or implied, by estoppel or otherwise.
- **ABSENT A WRITTEN SIGNED AGREEMENT, EXCEPT AS PROVIDED IN THE RELEVANT TERMS AND CONDITIONS OF SALE FOR PRODUCT, AND TO THE MAXIMUM EXTENT ALLOWABLE BY LAW, TOSHIBA (1) ASSUMES NO LIABILITY WHATSOEVER, INCLUDING WITHOUT LIMITATION, INDIRECT, CONSEQUENTIAL, SPECIAL, OR INCIDENTAL DAMAGES OR LOSS, INCLUDING WITHOUT LIMITATION, LOSS OF PROFITS, LOSS OF OPPORTUNITIES, BUSINESS INTERRUPTION AND LOSS OF DATA, AND (2) DISCLAIMS ANY AND ALL EXPRESS OR IMPLIED WARRANTIES AND CONDITIONS RELATED TO SALE, USE OF PRODUCT, OR INFORMATION, INCLUDING WARRANTIES OR CONDITIONS OF MERCHANTABILITY, FITNESS FOR A PARTICULAR PURPOSE, ACCURACY OF INFORMATION, OR NONINFRINGEMENT.**
- GaAs (Gallium Arsenide) is used in Product. GaAs is harmful to humans if consumed or absorbed, whether in the form of dust or vapor. Handle with care and do not break, cut, crush, grind, dissolve chemically or otherwise expose GaAs in Product.
- Do not use or otherwise make available Product or related software or technology for any military purposes, including without limitation, for the design, development, use, stockpiling or manufacturing of nuclear, chemical, or biological weapons or missile technology products (mass destruction weapons). Product and related software and technology may be controlled under the applicable export laws and regulations including, without limitation, the Japanese Foreign Exchange and Foreign Trade Law and the U.S. Export Administration Regulations. Export and re-export of Product or related software or technology are strictly prohibited except in compliance with all applicable export laws and regulations.
- Please contact your TOSHIBA sales representative for details as to environmental matters such as the RoHS compatibility of Product. Please use Product in compliance with all applicable laws and regulations that regulate the inclusion or use of controlled substances, including without limitation, the EU RoHS Directive. **TOSHIBA ASSUMES NO LIABILITY FOR DAMAGES OR LOSSES OCCURRING AS A RESULT OF NONCOMPLIANCE WITH APPLICABLE LAWS AND REGULATIONS.**

# Mouser Electronics

Authorized Distributor

Click to View Pricing, Inventory, Delivery & Lifecycle Information:

[Toshiba:](#)

[TLP5751\(E](#) [TLP5751\(D4,E](#) [TLP5751\(TP,E](#) [TLP5751\(D4-TP,E](#)